



☎@07351-5758060

kontakt@nilfisk-alto-shop.com



Preisabfrage bzw. Bestellungen der Artikel im Shop unter

www.nilfisk-alto-shop.com

einfach die Artikelnummer in die Suchmaske eingeben

(Bitte die Artikelnummer ohne Leerzeichen eingeben)

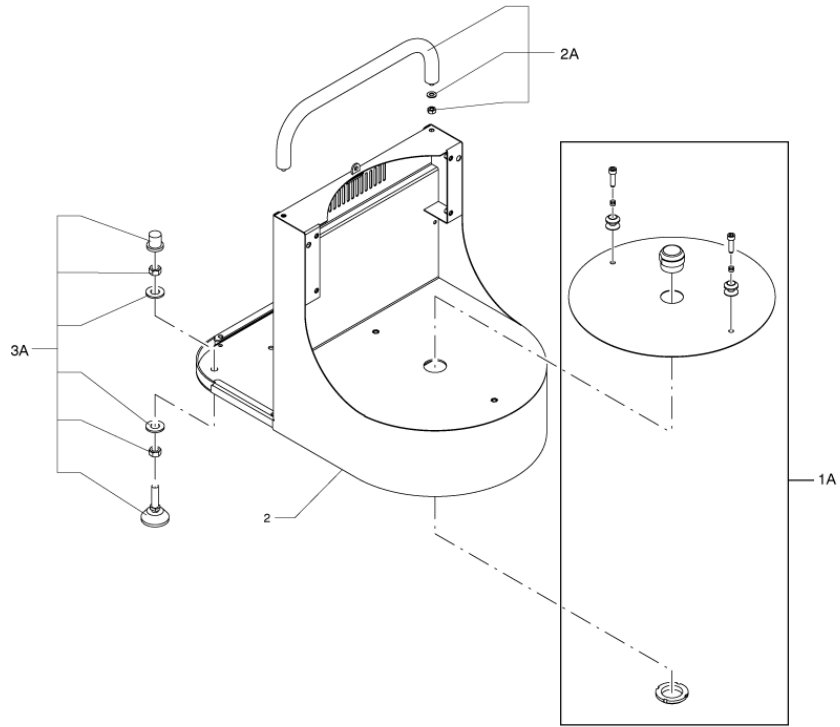
PARTS LIST



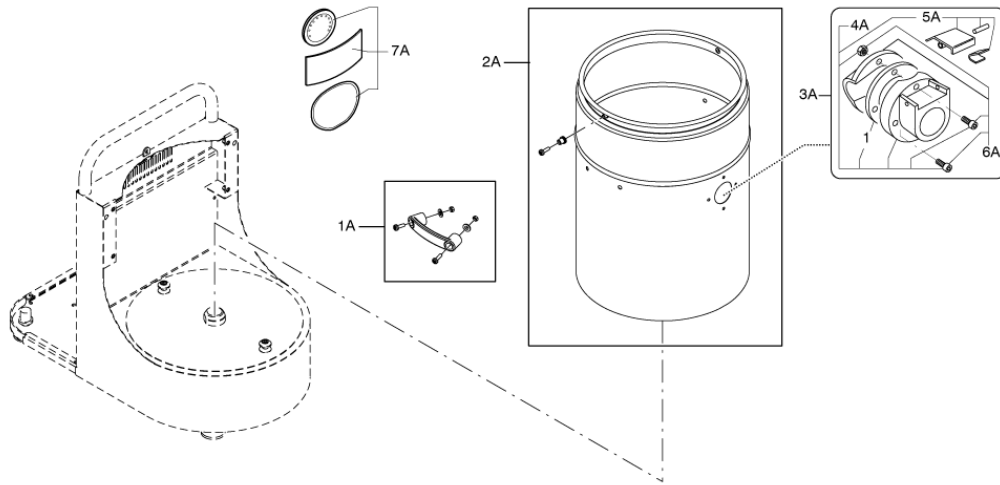
2021.11.23

TABLE OF CONTENTS

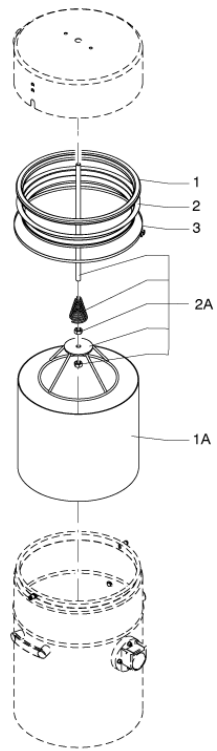
| | |
|----------------------------------|----|
| L182 - 1 - CAR | 1 |
| L182 - 2 - CONTAINER UNIT | 3 |
| L182 - 3 - FILTER GROUP | 5 |
| L182 - 4 - SHAKER UNIT | 7 |
| L182 - 5 - SUCTION UNIT | 9 |
| L182 - 6 - ABSOLUTE FILTER | 11 |
| OPTIONALS | 13 |



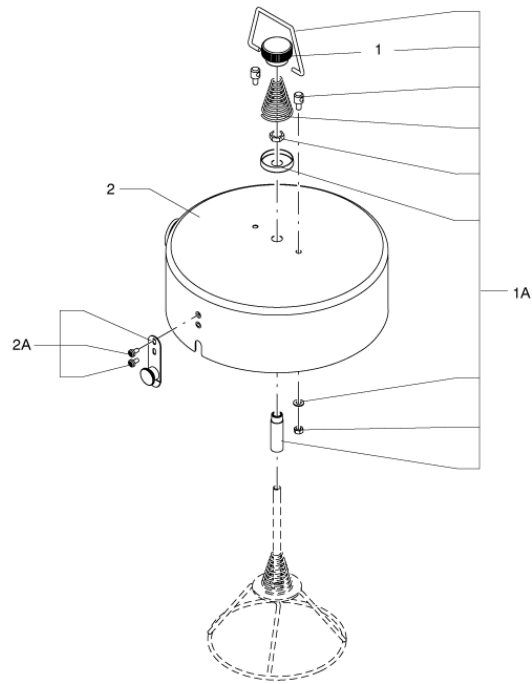
| Pos. | Artikel-Nr. | Menge | Variante | Notes |
|-------------|--------------------|--------------|---------------------------------------|--------------|
| 01A | 4089100322 | 1 | CONTAINER FIXING KIT | |
| 02 | 4083600729 | 1 | MODULAR BASE HORIZONTAL R9003 MOD.VHW | |
| 02A | 4089100323 | 1 | HANDLE KIT | |
| 03A | 4089100324 | 1 | Fußkit einstellbar | |



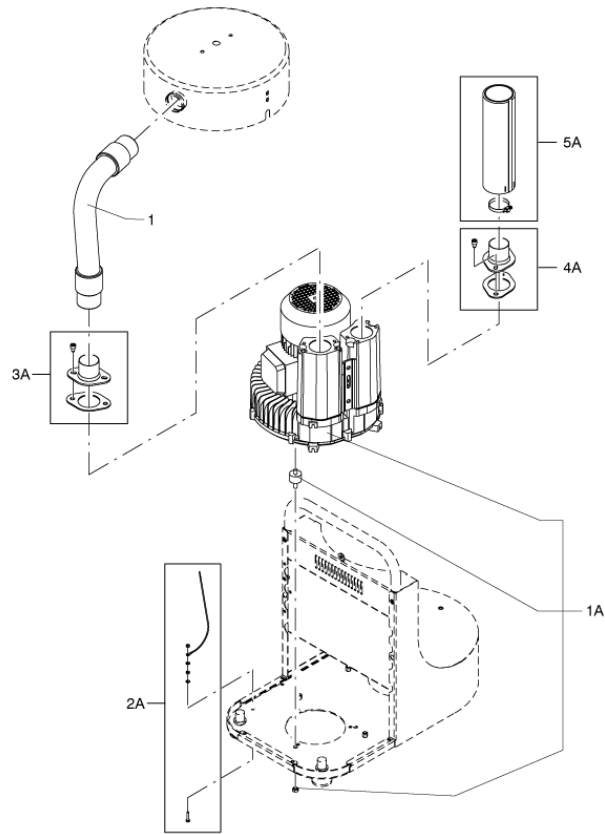
| Pos. | Artikel-Nr. | Menge | Variante | Notes |
|------|-------------|-------|---------------------------------|-------|
| 01 | Z8 17005 | 1 | Anschlussdichtung D50 | |
| 01A | 4089100325 | 1 | HANDLE KIT | |
| 02A | 4089100326 | 1 | CONTAINER KIT | |
| 02A | 4089100335 | 1 | SS CONTAINER KIT | |
| 03A | 40000393 | 1 | Kesselanschluß D50 | |
| 03A | 40000394 | 1 | Edelstahl-Anschluss-KitInox D50 | |
| 04A | 40000318 | 1 | KIT INLET FE D50 | |
| 04A | 4089100928 | 1 | Umrüstsatz D50 auf ATEX kpl. | |
| 04A | 4089100280 | 1 | D50 INLET SS KIT | |
| 05A | 40000320 | 1 | Arretierung f. Kessel- | |
| 06A | 40000392 | 1 | Deflektor Kit | |
| 06A | 40000391 | 1 | Deflektorkit D50 | |
| 07A | 4089100327 | 1 | LABEL KIT | |



| Pos. | Artikel-Nr. | Menge | Variante | Notes |
|------|-------------|-------|--|-------|
| 01 | 4081701040 | 1 | Ringichtung PF D350 SBR NEROM.VHW | |
| 01 | 4081701041 | 1 | Dichtung D 360 schwarz Nilfisk 3156 / 1 | |
| 01A | 40000379 | 1 | Taschenfilter Ø360mm Polyester | |
| 02 | 4081500229 | 1 | FILTER HOLDER RING D350 SSMOD.VHW310-311 | |
| 02 | 4081500220 | 1 | FILTER HOLDER RING D350 FEMOD.VHW310-311 | |
| 02A | 4089100336 | 1 | SS FILTER-SHAKER CAGE KIT | |
| 02A | 4089100328 | 1 | FILTER-SHAKER CAGE KIT | |
| 03 | Z8 18078 | 1 | Filter block ¥ 360 | |
| 03 | 4081801385 | | FILTER BLOCK TIE D360 SS AISI304 | |



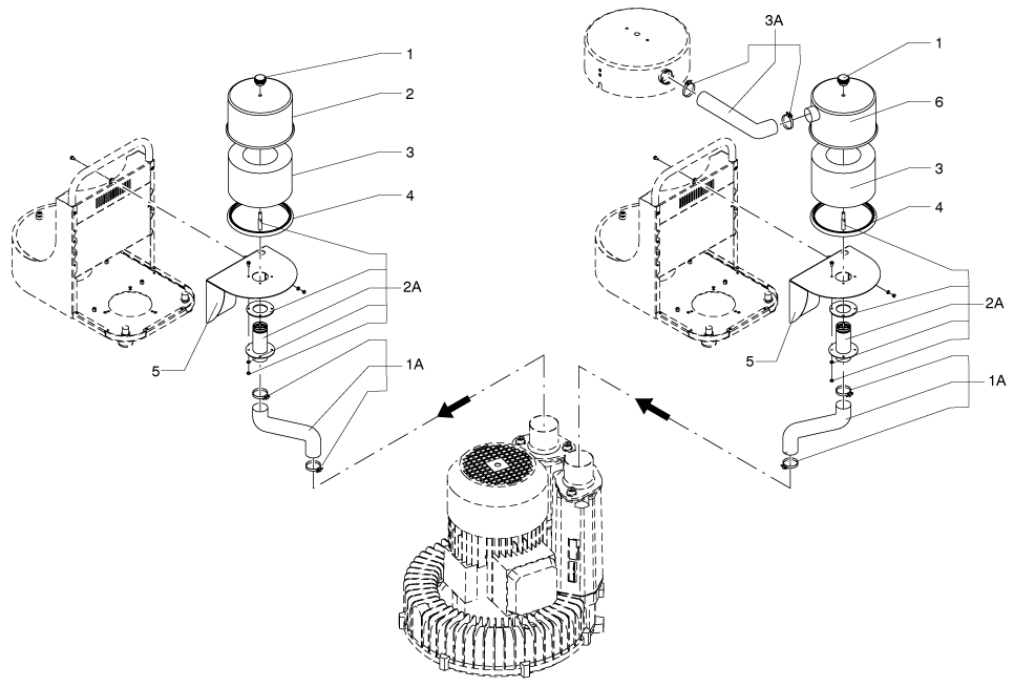
| Pos. | Artikel-Nr. | Menge | Variante | Notes |
|-------------|--------------------|--------------|--|--------------|
| 01 | 4084001145 | 1 | Sterngriff ohne Loch | |
| 01A | 4089100337 | 1 | Filterrüttler-Kit SS | |
| 01A | 4089100329 | 1 | FILTER SHAKER KIT | |
| 02 | 4083101200 | 1 | COVER D360 SS MAN.SHAKER MOD.VHW310-311 | |
| 02 | 4083101132 | 1 | COVER D360 R9003 MAN.SHAKER M.VHW310-311 | |
| 02A | 4089100330 | 1 | CAP CLOSURE LEVER KIT | |



| Pos. | Artikel-Nr. | Menge | Variante | Notes |
|------|-------------|-------|--|-------|
| 01 | 4082400236 | 1 | HOSE D50 + SLEEVES D50 L560 M.VHW310-311 | |
| 01A | 4089100331 | 1 | Seitenkanalverdichter 1,5kW VHW360 | |
| 02A | 40000877 | 1 | GROUND CABLE KIT | [1] |
| 03A | 40000326 | 1 | Flansch D50 | |
| 04A | 40000326 | 1 | Flansch D50 | |
| 05A | 4089100298 | 1 | Schalldämpfer | |

Part Notes:

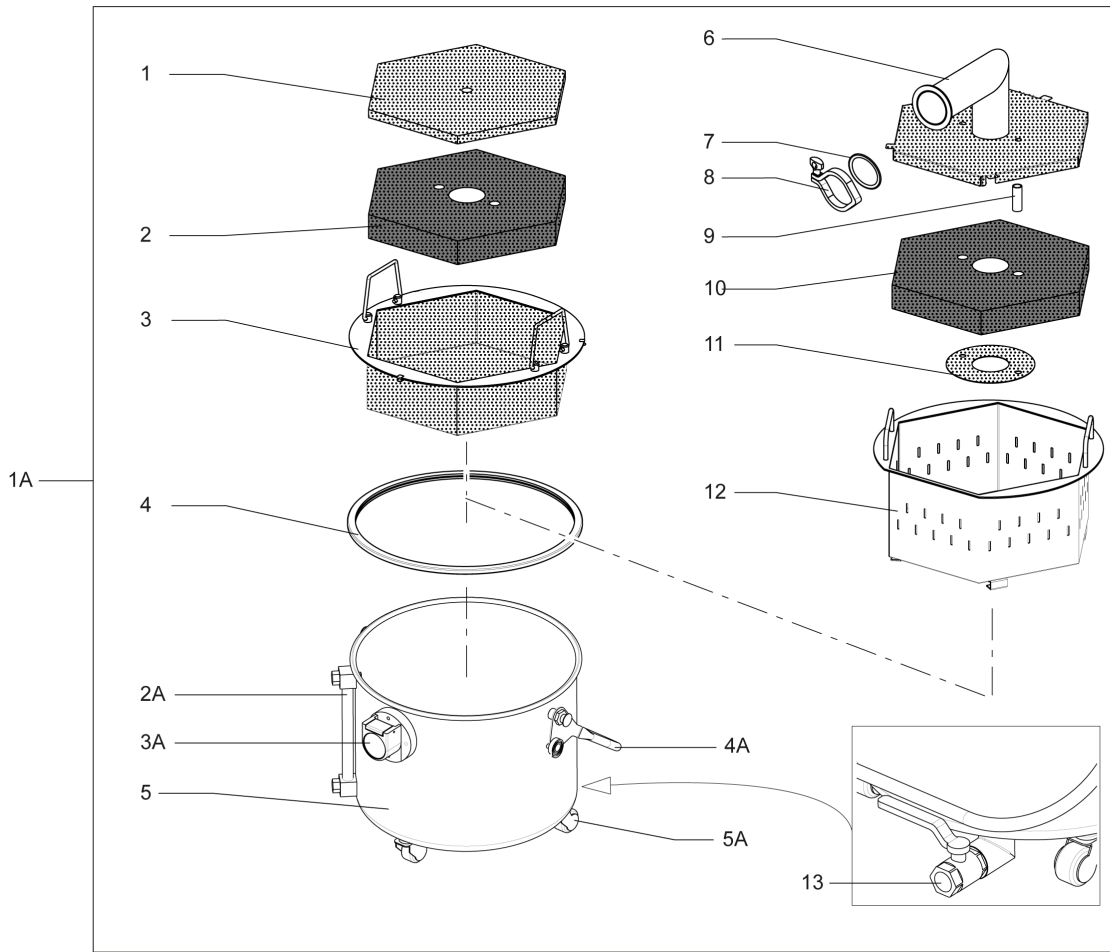
[1] - CONTACT PM IN ZOCCA



| Pos. | Artikel-Nr. | Menge | Variante | Notes |
|------|-------------|-------|--|-------|
| 01 | 4084001146 | 1 | Sterngriff ohne Loch | |
| 01A | 4089100332 | 1 | PIPE KIT | |
| 02 | 4083000681 | 1 | DIFFUSER CONTAINER D220x142 R9003 M.VHW | |
| 02A | 4089100333 | 1 | ABSOLUTE FILTER ASSEMBLY KIT | |
| 03 | Z8 17262 | 1 | Absolutfilter AD VHW360/3VT H14 | |
| 03A | 4089100334 | 1 | AU PIPE KIT | |
| 04 | Z58 17088 | 1 | Dichtung Silikon zu CFM | |
| 05 | 4081600725 | 1 | DIFFUSER CONTAINER SUPPORT R9003 M.VHW | [1] |
| 06 | 4083101134 | 1 | UPSTREAM HEPA CONTAINER D220 R9003 M.VHW | |
| | 4056000604 | 1 | KIT UPSTREAM ABSOLUT FILT. VHW310 R9003 | |

Part Notes:

[1] - CONTACT PM IN ZOCCA



| Pos. | Artikel-Nr. | Menge | Variante | Notes |
|------|-------------|-------|--|-------|
| 1 | 4056000695 | 1 | KIT DOWNST. ACT.CARB.FILT. VHW310 R9003 | |
| 2 | 4083000701 | 1 | CONTAINER D360 COMP.SS ATEX M.VHW310-311 | |

