

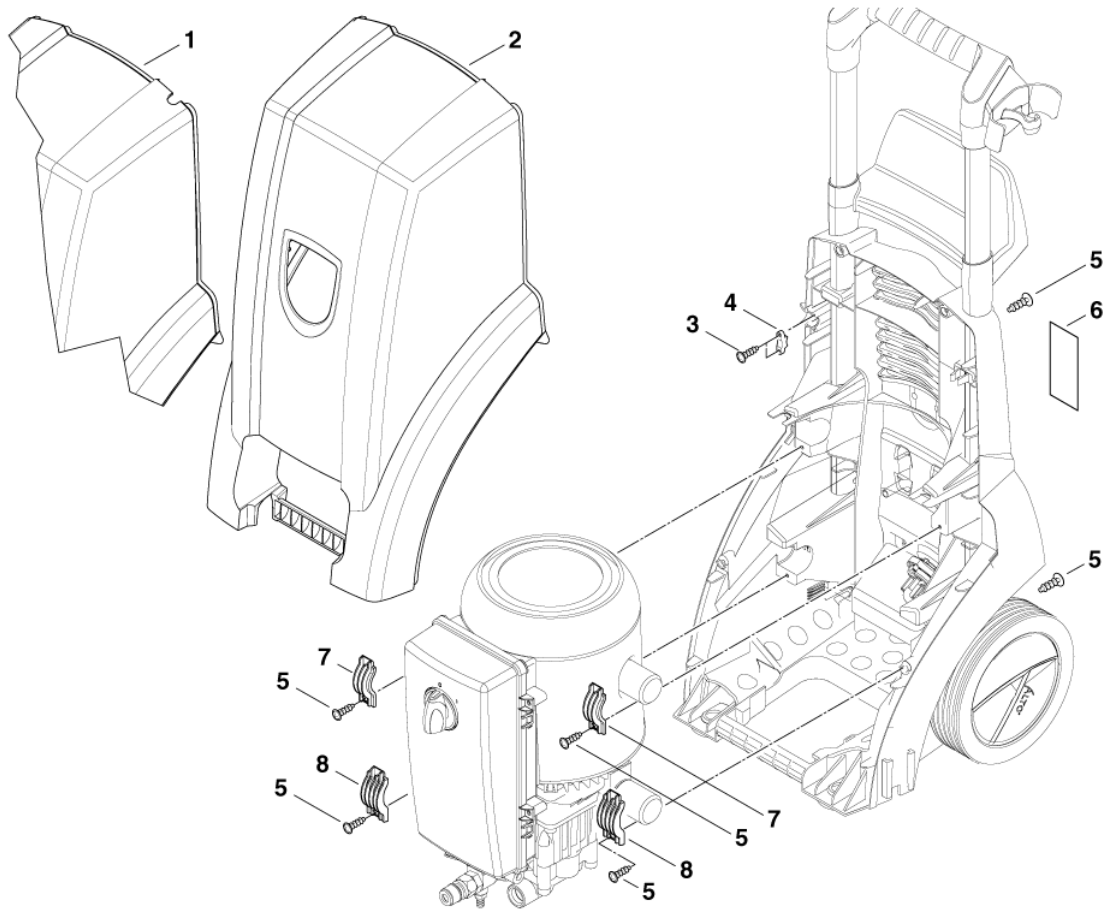
PARTS LIST



2022.03.04

TABLE OF CONTENTS

Cabinet.....	1
Default accessories.....	3
Schaltkasten.....	5
Schlauchtrommel POSEIDON 3.....	8
Chassis.....	10
Motor.....	12
Pumpe (1~).....	14
Pumpe (3~).....	16
Recommended spare parts.....	18



Pos.	Artikel-Nr.	Menge	Variante	Notes
1	301002295	1	Abdeckung bedruckt	[1]
2	301002294	1	Abdeckung bedruckt	[2]
2	107140957	1	COVER PRINTED HPC 30 UNITOR	[3]
3	909100443	2	2x Schraube 3X16	
4	3806262	1	Kabelschelle	
5	107141838	6	SCHRAUBE K50X18 WN1451 SCHWARZ TORX 20	
6	48083	1	Klebeschild HD-Strahl	[4]
7	301002296	2	Halter	
8	301002297	2	Halter	[4]

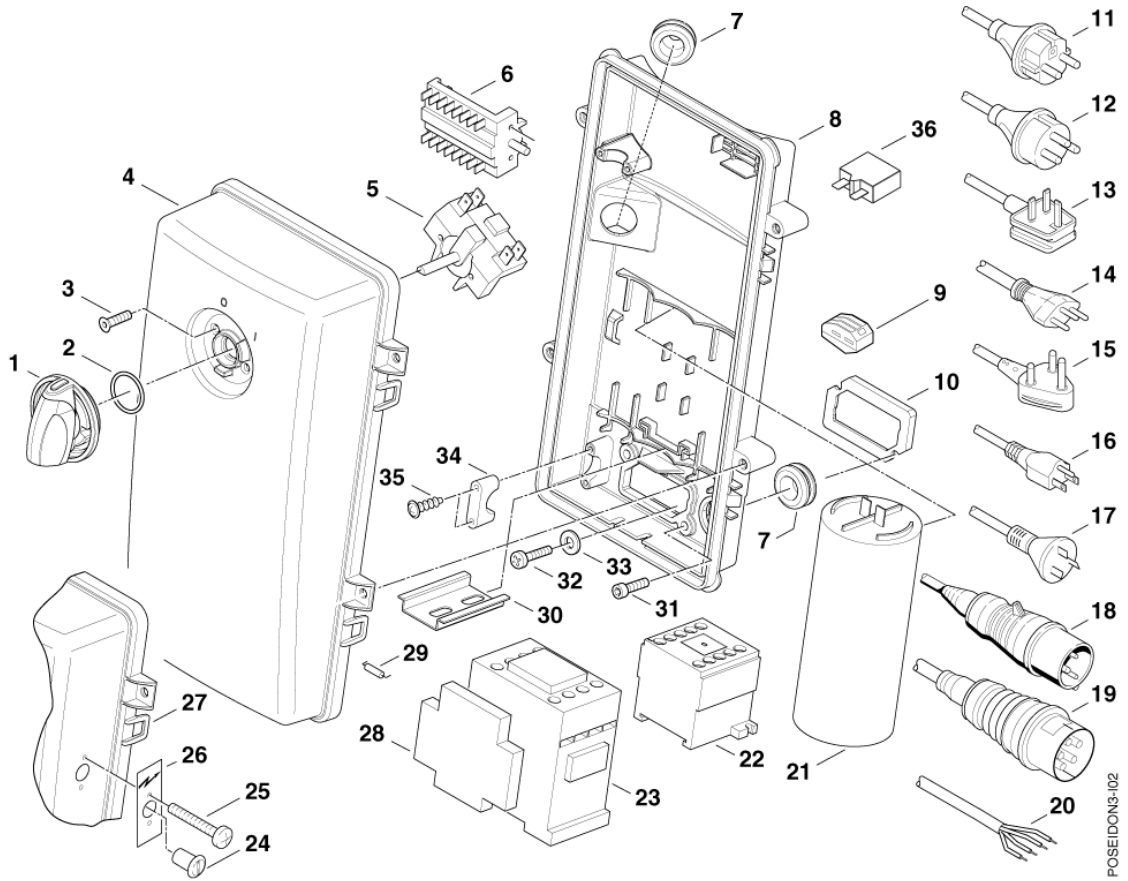
Part Notes:

- [1] - XT-models
GUARANTEE DATE EXPIRED
- [2] - Standard
GUARANTEE DATE EXPIRED
- [3] - NO LONGER AVAILABLE
UNITOR
- [4] - STOCK COVERS GUARANTEE

Pos.	Artikel-Nr.	Menge	Variante	Notes
0-	106403122	1	ERGO 2000 STANDARD W. HOSE SWIVEL	[1]
0	106403154	1	ERGO 2000 SPRAY GUN W/O LOGO ACC.	[2]
0-	106402292	1	TURBOHAMMER PLUS 1125 STRAIGHT W11 0550	[3]
0-	106402290	1	TURBOHAMMER PLUS 1140	[3]
0-	106402281	1	FLEXOPOWER PLUS 990	[4]
00	101119496	1	Schlauchkupplung Rep.Satz	
00	65437	1	Rotordüse 040	[5]
00	101119740	1	HD-Düse 0450 TORNADO	[6]
00	101119738	1	Düse NT0400	[7]
00	101119739	1	HD-Düse 0435 TORNADO	[8]
00	101119737	1	HD-Düse 0370 TORNADO	[9]
00	101119742	1	HD-Düse 0530 TORNADO	[10]
01	301002275	1	HD-Schlauch DN6x10m 3/8	[11]
01	101406176	1	Schlauch DN6 15M	[12]
02	301002343	1	Nachrüstsatz Schlauch-	[13]
03	106408240	1	Lanze für 4in1 Düse	[14]

Part Notes:

- [1] - ERGO 2000 Spray handle
- [2] - UNITOR
- [3] - TURBOHAMMER PLUS lance
- [4] - FLEXOPOWER PLUS lance
- [5] - 3-26,3-30
- [6] - 3-40
- [7] - 3-30
- [8] - 3-16, 3-30 US, 3-30 32A 110/1/50 GB
- [9] - 3-26
- [10] - 3-24
- [11] - 3-24, 3-26, 3-30, 3-40
HOSES Overview
- [12] - 3-26XT, 3-30 XT, 3-40 XT
HOSES Overview
- [13] - PRUNED-NO REPLACEMENT
- [14] - 4 in1 Nozzle



Pos.	Artikel-Nr.	Menge	Variante	Notes
01	909100204	1	Drehknopf 6x5 blau	
02	9868	1	O-Ring 10x2,5	
03	18274	2	Senkschraube M4x12	
04	301002282	1	Deckel	
05	301001058	1	Schalter	
06	64579	1	Drehschalter Stern-Dreieck	[1]
07	301002284	2	Tülle	
08	301002281	1	Gehäuse	
09	301001229	1	Klemmleiste	[2]
10	301002283	1	Dichtung	[3]
11	7180226	1	Anschlussleitung Europa	[4]
13	7180225	1	Anschlussleitung GB	[5]
14	7180227	1	Ltg Netz- kpl.	[6]
15	301002337	1	Anschlussleitung ZA	[7]
16	3821142	1	LTG Netz H07RN-F 3G1,5x 9	[8]
17	301002336	1	Anschlussleitung AUS, NZ	[9]
18	301001992	1	Netzkabel H07BQ-F	[10]
19	63499	1	Anschlussleitung Europa	[11]
20	7180229	1	POWER CORD VCT 3X2.0X6M	[12]
20	63501	1	Kabel	[13]
21	301001017	1	Kondensator 60 µF	[14]
21	107141856	1	CAPACITOR 70UF 450V	[15]
21	301003179	1	Kondensator 50MF/450V	[16]
22	103822300	1	Schütz CJX2-D12-V7 400V	[2]
23	103822310	1	Schütz CJX2-D25-M7	[17]
23	103822316	1	Schütz CJX2-D32-F7 110V	[18]
23	103822304	1	Schütz CJX2-D18 18A 230V 3P+NO	[1]
23	63905	1	Schütz 3x200/230 V	[19]
24	64580	1	Drehknopf	[1]
25	3389	2	Zylinderschraube M4 x 20 ISO 1207 zn	[1]
26	64586	1	Klebeschild "230-400V Um	[20]
26	64787	1	Etikett	[21]
27	301002317	1	Schalterkasten Abdeckung	[22]
28	64773	1	Hilfskontakt 100-SBL11	[1]
28	101118041	1	ANDELI LA8-DN11 SIDE MOUNT AUX CONTACT	[23]
29	301000074	1	Widerstand 470 ohm/3W	[1]
30	22290	1	Tragschiene 1 m	[24]
31	909100424	2	2x Schraube M5X16	
32	909100423	1	Schraube M4X6	[25]
33	4021	1	Fächerscheibe 4,3 -A- DIN 6798 FSt/zn	
34	3806262	1	Kabelschelle	
35	909100443	2	2x Schraube 3X16	
36	301002324	1	Sicherung 12 A	[26]
36	301002659	1	Sicherung 20A	[27]
36	301002322	1	Sicherung 16 A	[28]
99	301003169	1	POWER CORD YZW300/500 3G1.5X6M CCC	[29]

Part Notes:

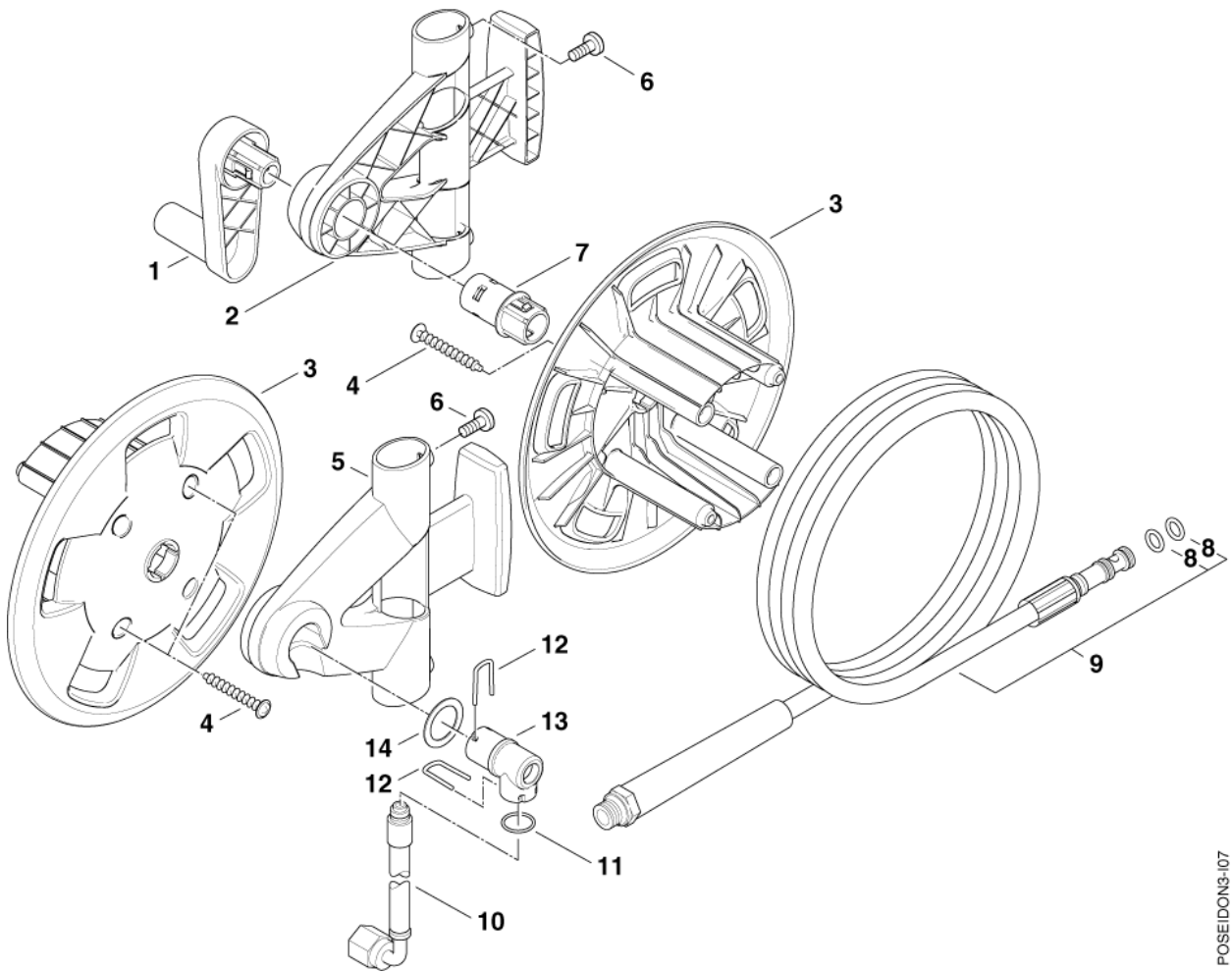
- [1] - * SEE NOTE
 [2] - 400/3
 [3] - GUARANTEE DATE EXPIRED
 [4] - STOCK COVERS GUARANTEE

*EU*EXP*

- [5] - STOCK COVERS GUARANTEE

GB

-
- [6] - GUARANTEE DATE EXPIRED
- *CH* outphased 2011
- [7] - STOCK COVERS GUARANTEE
- *ZA*
- [8] - NO LONGER AVAILABLE
- *US*
- [9] - STOCK COVERS GUARANTEE
- *AU*
- [10] - GUARANTEE DATE EXPIRED
- *GB,110V*
- [11] - STOCK COVERS GUARANTEE
- *EU* 400/3/50
- [12] - NO LONGER AVAILABLE
- *JP*
- [13] - STOCK COVERS GUARANTEE
- * SEE NOTE
- [14] - 110V 60 mF
- [15] - 230V *EU* 220V *EXP*
- [16] - NO LONGER AVAILABLE
- 110V 50 mF
- [17] - *JP*
- [18] - 110V UK
- [19] - 220-440V 50/60Hz
- [20] - STOCK COVERS GUARANTEE
- 230/400/3/50 *BE*NO*
- [21] - STOCK COVERS GUARANTEE
- 220/440/3/60 *EXP*
- [22] - NO LONGER AVAILABLE
- * SEE NOTE
- [23] - STOCK COVERS GUARANTEE
- ANDELI AUX block
- [24] - 3~
- [25] - STOCK COVERS GUARANTEE
- [26] - STOCK COVERS GUARANTEE
- 3-24 |20.03.2006=>
- [27] - 3-30 *US*, *KO* |20.3.2006 =>
- [28] - ** SEE NOTE
- [29] - NO LONGER AVAILABLE
- *CN* without illustration
-

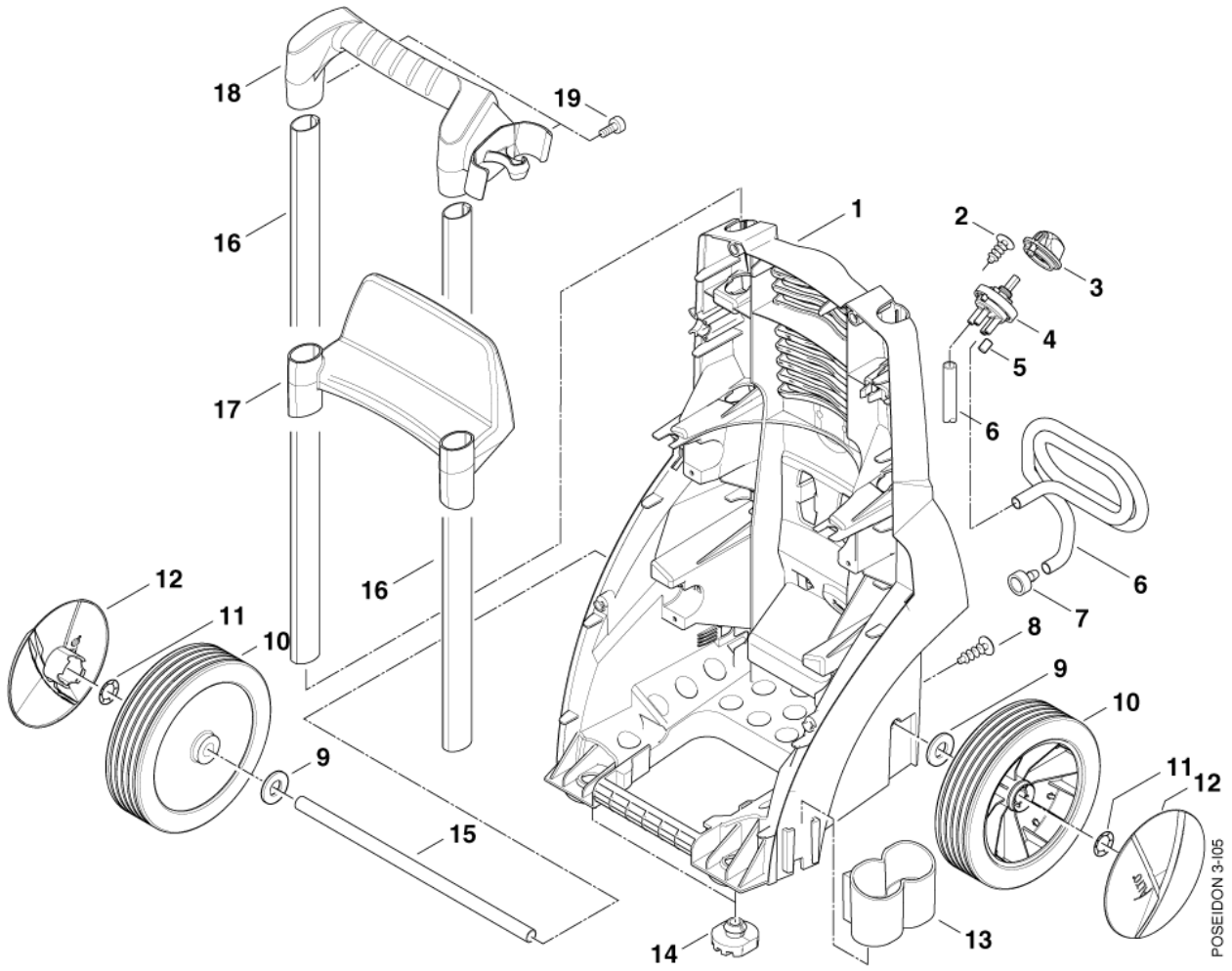


POSEIDON3-107

Pos.	Artikel-Nr.	Menge	Variante	Notes
00	301002343	1	Nachrüstsatz Schlauch-	[1]
1	6528569	1	Kurbel	
2	301002274	1	Halter	[2]
3	6528570	2	Trommel	
4	107141838	4	SCHRAUBE K50X18 WN1451 SCHWARZ TORX 20	
5	301002272	1	Halter	[2]
6	909100425	4	1x Schraube M6X12	
7	301002273	1	Kupplung	[2]
8	3004321	2	O-Ring 10,0 x 2,0 PUR90	
9	101406176	1	Schlauch DN6 15M	
10	301002271	1	Schlauch 6x850	
11	3002144	1	O-Ring 14,3 X 2,4 SMS	
12	6526487	2	Bügel	
13	6127990	1	Anschlussstück	
14	6127995	1	Scheibe 25 /35 x1,0	[2]

Part Notes:

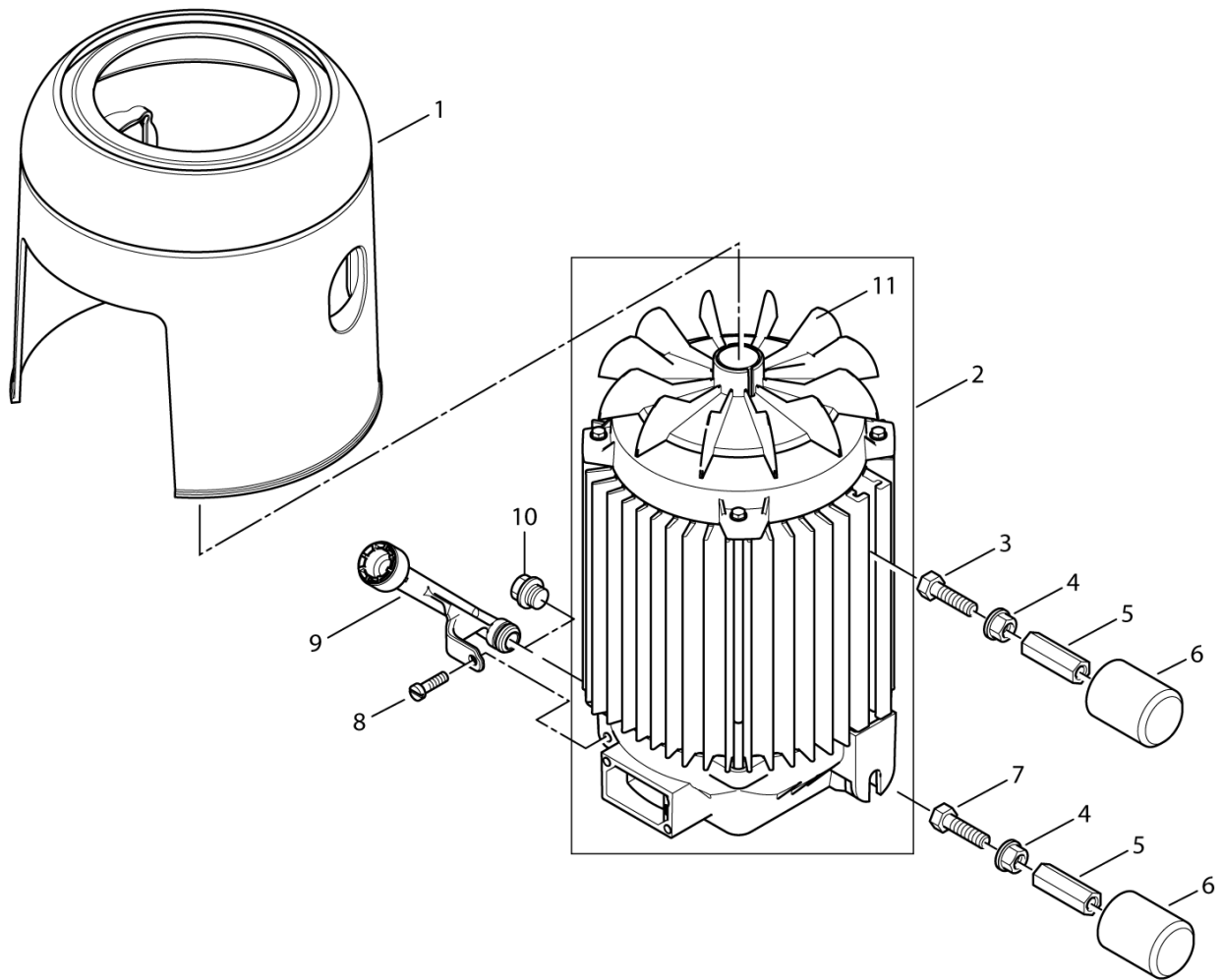
- [1] - PRUNED-NO REPLACEMENT
 [2] - STOCK COVERS GUARANTEE



Pos.	Artikel-Nr.	Menge	Variante	Notes
0	107142623	1	10 PCS CARD BOX NILFISK MC 3C - MC 4M	[1]
00	101117819	1	Packung Reparatursatz	[2]
1	301002289	1	Rahmen	[3]
2	1814730	2	Schraube 3,5x10	
3	909100214	1	Schalter GR 1 4 Kt	
4	301001000	1	Ventil	
5	301001906	2	Verschlusskappe	
6	106408243	1	HOSE 1/4INCH TRANSPARENT - 5 METERS	
7	6400240	1	Saugkorb	
8	107141838	2	SCHRAUBE K50X18 WN1451 SCHWARZ TORX 20	
9	909100426	2	2x Beilagscheibe DIN34815	
10	6528568	2	Rad	[3]
11	11710	2	Klemming 15	
12	6522843	2	Radkappe blau	[4]
13	301002300	1	Köcher	[3]
14	301002301	2	Stützfuß	
15	301002304	1	Achse	
16	301002305	2	Strebe	[3]
17	301002788	1	HOOK FOR HOSE PP	[5]
18	301002290	1	Griffschale	[3]
19	909100425	6	1x Schraube M6X12	

Part Notes:

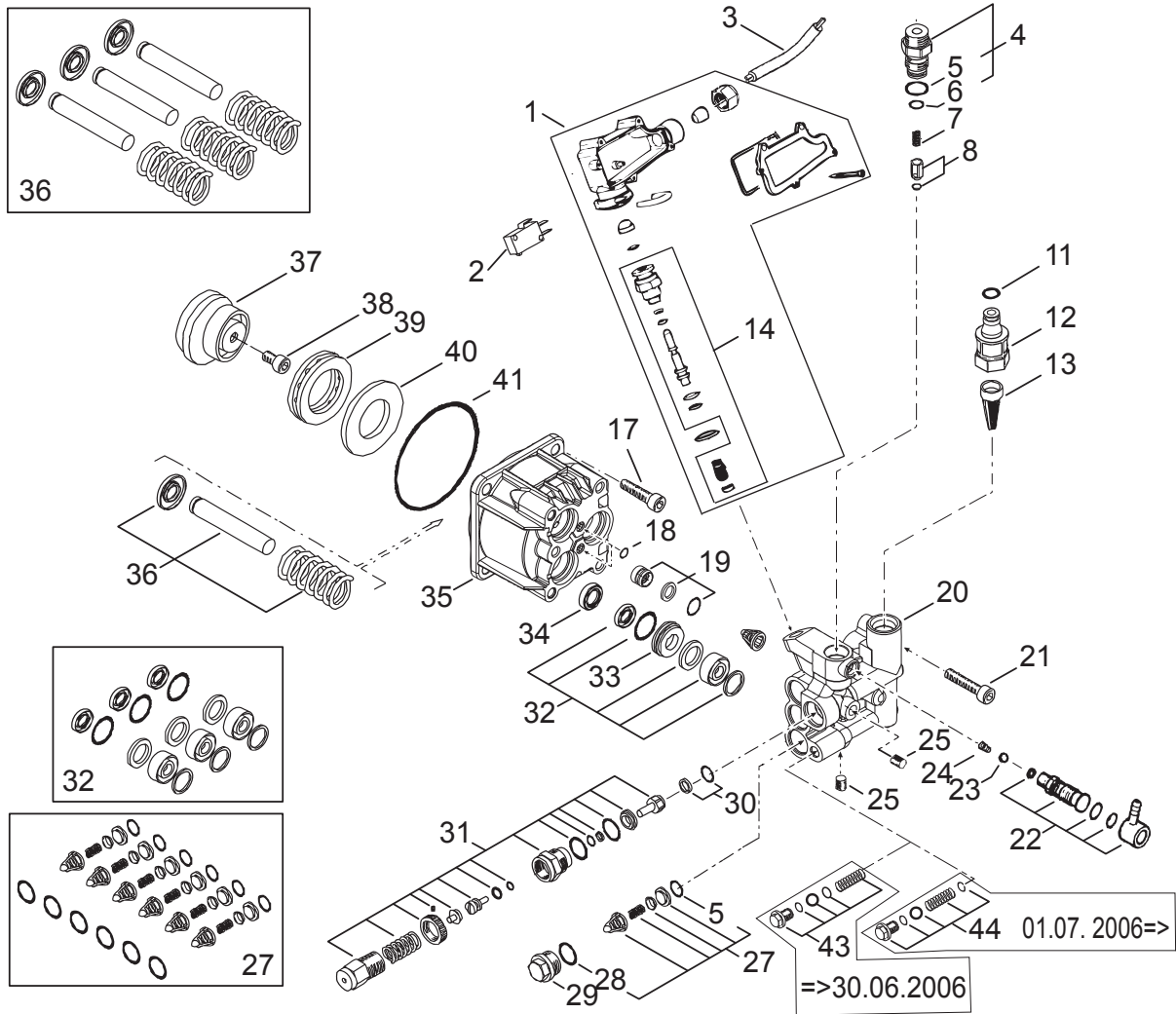
- [1] - Only the cardboxes
- [2] - NOT SHOWN
NO LONGER AVAILABLE
- [3] - STOCK COVERS GUARANTEE
- [4] - GUARANTEE DATE EXPIRED
- [5] - Standard
GUARANTEE DATE EXPIRED



Pos.	Artikel-Nr.	Menge	Variante	Notes
01	301002299	1	Lüfterhaube	[1]
02	301002248	1	MOTOR 110-120V 1-1.2 KW MEC90 2P	[2]
02	301002251	1	MOTOR 3,7KW/230/400/3	[3]
02	301002250	1	Elektromotor 230 V/50, 60 Hz	[4]
02	301002235	1	Motor 200V 3,7 kW	[5]
03	2753	2	Sechskantschraube M8x 20 ISO 4017 zn	
04	61467	4	Sechskantmutter M8 TENS	
05	301002303	4	Bolzen	[1]
06	301002298	4	Puffer	[1]
07	27372	2	Schraube M8x20	
08	909100424	1	2x Schraube M5X16	[6]
09	301002331	1	Verlängerung Ölstopfen	[7]
10	101117919	1	Verschlusschraube	[8]
11	301003084	1	Lüfterrad	

Part Notes:

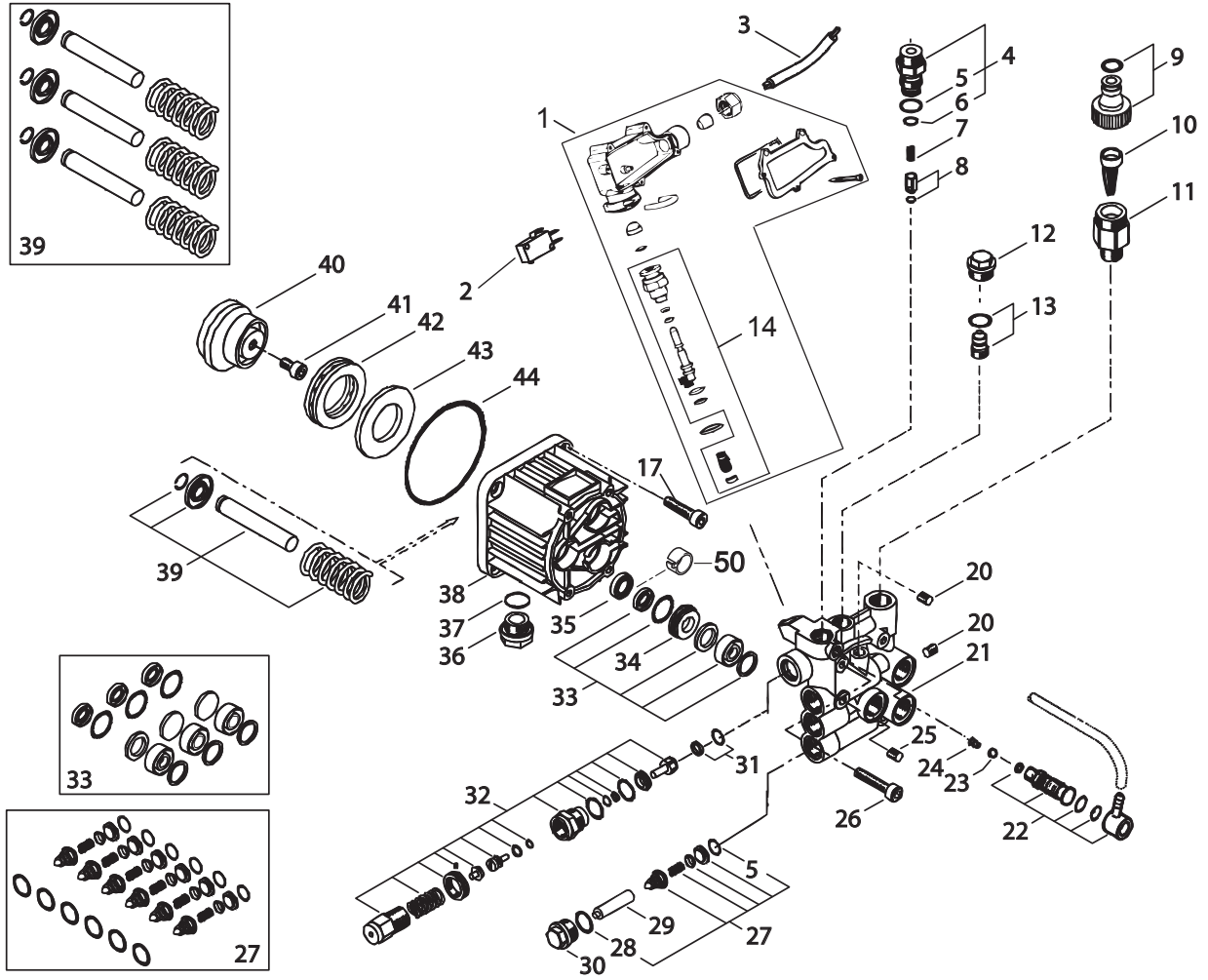
- [1] - STOCK COVERS GUARANTEE
- [2] - 110V UK
NO LONGER AVAILABLE
- [3] - 3~
NO LONGER AVAILABLE
- [4] - 230/1/50, 220/1/60
STOCK COVERS GUARANTEE
- [5] - *JP*
NO LONGER AVAILABLE
- [6] - Up to serie no.2009892793/35/09
- [7] - Up to serie no.2009892793/35/09
GUARANTEE DATE EXPIRED
- [8] - See TSB-PPW-2009-008



Pos.	Artikel-Nr.	Menge	Variante	Notes
0-	909100414	1	Pumpenöl ROTRA THT	[1]
1	101117656	1	Aufrüstsatz Poseidon 3	[2]
2	301002325	1	Schalter	
3	301002326	1	Kabel	
4	301002551	1	Injektor	
5	3002029	7	O-Ring 12,42x 1,78 ARP	
6	103004325	1	O-RING 15.6X1.78	[3]
7	909100428	1	Feder	
8	106162556	1	Injektor	
11	9146	1	O-Ring 10,77X2,62 ARP	
12	301002549	1	Schlauchanschluss	
13	301002548	1	Sieb	
14	31001017	1	PISTON KIT	
17	8894	4	Schraube M8 x 20 8.8	
18	6480272	2	O-RING D2,9X1,78 NBR70SH	
19	106162567	3	Stopfen	
20	301002545	1	Ventilblock	[4]
21	9543	4	Schraube M8 X 55 8.8	
22	301002547	1	Satz Ventil	
23	32554	1	Kugel 5 gehaertet DIN	[5]
24	909100427	1	Feder	[5]
25	301002546	2	Verschlussschraube	
26	301002550	1	Steckler	[6]
27	301002562	1	Satz Ventile	
28	3002045	6	O-Ring 17,17X 1,78 ARP	
29	301002544	3	Verschlussschraube	
30	106162562	1	Ventilsitzring	
31	106162552	1	Steuerkolben	
32	31000343	1	Kolbendichtungsset	
33	301002570	3	Kolbenführung	
34	301002569	3	Wellendichtring	
35	301002560	1	Pumpengehäuse	
36	301002565	1	Satz Kolben	
37	301002595	1	Taumelscheibe 8,5°	[7]
37	301002567	1	Taumelscheibe 10 Grad	[8]
37	301002556	1	Taumelscheibe 10°30'	[9]
37	301002596	1	Taumelscheibe 9 Grad	[10]
38	8894	1	Schraube M8 x 20 8.8	
39	909100432	1	Nadellager	
40	301002557	1	Scheibe	
41	909100431	1	O-Ring 85 x 3	
43	301003094	1	Kit Easy Start für	[11]
44	301003095	1	Ventil	[12]

Part Notes:

- [1] - 0,18 l - OIL TYPES_QUANTITY for HPW_APRIL 2017
- [2] - See TSB: TSB-PPW-2010-023 Start-stop kit TSB-PPW-2010-023 Start-stop kit
- [3] - NO LONGER AVAILABLE
- [4] - Note: Kit Easy Start
- [5] - STOCK COVERS GUARANTEE
- [6] - *UK* =>30.06.2006|
GUARANTEE DATE EXPIRED
- [7] - *KR*
- [8] - 230-240/50 *AU*CH*DK*
- [9] - 230/50 *EU*CN*
- [10] - *GB*US*
GUARANTEE DATE EXPIRED
- [11] - =>30.06.2006|
STOCK COVERS GUARANTEE
- [12] - |01.07.2006=>



Pos.	Artikel-Nr.	Menge	Variante	Notes
0-	909100414	1	Pumpenöl ROTRA THT	[1]
1	101117656	1	Aufrüstsatz Poseidon 3	[2]
2	301002325	1	Schalter	
3	301002326	1	Kabel	
4	301002579	1	Injektor Satz	[3]
5	3002029	7	O-Ring 12,42x 1,78 ARP	
6	103004325	1	O-RING 15.6X1.78	[4]
7	909100428	1	Feder	
8	106162556	1	Injektor	
9	106404529	1	GARDENA COUPLING MALE 3/4	
10	301002548	1	Sieb	
11	301002572	1	Nippel 3/4 Poseidon	
12	301002577	1	Verschlussschraube	
13	301002578	1	Stopfen	
14	31001017	1	PISTON KIT	
17	8894	4	Schraube M8 x 20 8.8	
20	301002546	2	Verschlussschraube	
21	301002575	1	Ventilblock POSEIDON 3	
22	301002547	1	Satz Ventil	
23	32554	1	Kugel 5 gehaertet DIN	[3]
24	909100427	1	Feder	[3]
25	301002546	1	Verschlussschraube	
26	1801455	4	Schraube	[4]
27	301002562	1	Satz Ventile	
28	3002045	6	O-Ring 17,17X 1,78 ARP	
29	301002574	2	Distanzstück	
30	301002544	6	Verschlussschraube	
31	106162552	1	Steuerkolben	
32	106162552	1	Steuerkolben	
33	31001029	1	PISTON SEAL KIT 3PH	
34	301002586	3	Buchse	
35	301002569	3	Wellendichtring	
36	301002585	1	Ölschauglas	
37	3000825	1	O-Ring 20,24x2,62	
38	301002584	1	Pumpengehäuse	
39	301002564	1	Kolbenset	
40	301002568	1	Taumelscheibe 9,5 für NEP	[5]
40	301002566	1	Taumelscheibe 11	[6]
41	8894	1	Schraube M8 x 20 8.8	
42	909100432	1	Nadellager	
43	301002557	1	Scheibe	
44	909100435	1	O-Ring 92 x 3	
50	31000287	1	Abstandsring 3Stk.	

Part Notes:

- [1] - 0,18 l
- [2] - TSB-PPW-2010-023 Start-stop kit
- [3] - STOCK COVERS GUARANTEE
- [4] - NO LONGER AVAILABLE
- [5] - 220-440/60 *EXP*
- [6] - 400/50 *EU*

Pos.	Artikel-Nr.	Menge	Variante	Notes
0A	301002562	1	Satz Ventile	[1]
0A	909100414	1	Pumpenöl ROTRA THT	[1]
0A	301002322	1	Sicherung 16 A	[1]
0A	301002548	1	Sieb	[1]
0A	301002324	1	Sicherung 12 A	[2]
0A	301002659	1	Sicherung 20A	[1]
0A	301002561	1	Dichtungssatz Kolben	[3]
0B	106162552	1	Steuerkolben	[4]
0B	301002565	1	Satz Kolben	[4]
0C	301001058	1	Schalter	[5]
0C	107141856	1	CAPACITOR 70UF 450V	[5]
0C	301002248	1	MOTOR 110-120V 1-1.2 KW MEC90 2P	[6]
0C	301002566	1	Taumelscheibe 11	[5]
0C	301002251	1	MOTOR 3,7KW/230/400/3	[6]
0C	64773	1	Hilfskontakt 100-SBL11	[5]
0C	301002556	1	Taumelscheibe 10°30'	[5]
0C	301003179	1	Kondensator 50MF/450V	[6]
0C	301002547	1	Satz Ventil	[5]
0C	301002568	1	Taumelscheibe 9,5 für NEP	[5]
0C	301001017	1	Kondensator 60 µF	[5]
0C	103822310	1	Schütz CJX2-D25-M7	[5]
0C	103822304	1	Schütz CJX2-D18 18A 230V 3P+NO	[5]
0C	103822300	1	Schütz CJX2-D12-V7 400V	[5]
0C	301002596	1	Taumelscheibe 9 Grad	[7]
0C	301002250	1	Elektromotor 230 V/50, 60 Hz	[8]
0C	301002567	1	Taumelscheibe 10 Grad	[5]
0C	301002235	1	Motor 200V 3,7 kW	[6]
0C	301002595	1	Taumelscheibe 8,5°	[5]
0C	103822316	1	Schütz CJX2-D32-F7 110V	[5]
0C	301002271	1	Schlauch 6x850	[5]
0C	101118041	1	ANDELI LA8-DN11 SIDE MOUNT AUX CONTACT	[8]
0C	301002557	1	Scheibe	[5]
0C	301002564	1	Kolbenset	[5]
0C	909100432	1	Nadellager	[5]

Part Notes:

- [1] - A
- [2] - A
STOCK COVERS GUARANTEE
- [3] - A
1 PH USE PN 31000343 - 3PH USE 31001029
- [4] - B
- [5] - C
- [6] - C
NO LONGER AVAILABLE
- [7] - C
GUARANTEE DATE EXPIRED
- [8] - C
STOCK COVERS GUARANTEE

