

LSU155

Model:
LSU155



Part List US-English

07-01-2014



Table of Contents

LSU155

| | |
|-------------------------------|----------|
| Overview | 3 |
| Accessories | 5 |
| Fixed squeegee chassis | 7 |
| Wear and Tear Parts | 9 |

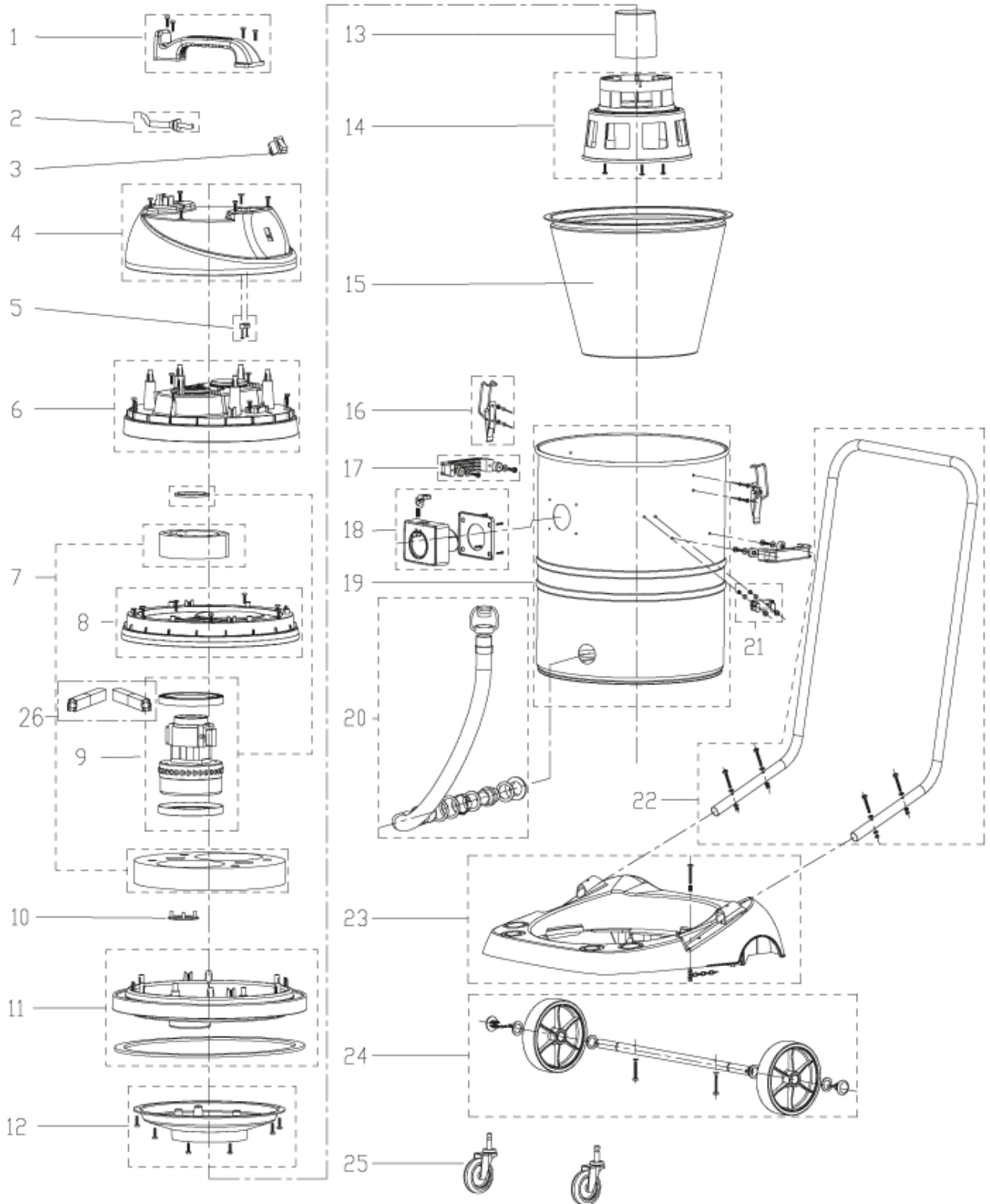
Overview

LSU155

07-01-2014

Part List ID
LSU15502

3



Overview

LSU155

07-01-2014

Part List ID
LSU15502

4

| Pos | Part no. | Qty | Description |
|-----|----------|-----|--|
| 1 | VA86630 | 1 | HANDLE KIT |
| 2 | VA80708 | 1 | POWER CORD UK PLUG KIT |
| 2 | VA80714 | 1 | POWER CORD EU PLUG KIT |
| 3 | VA91346 | 1 | SWITCH |
| 4 | VA86650 | 1 | MACHINE HEAD COVER KIT |
| 5 | VA86604 | 1 | CLAMP BLOCK KIT |
| 6 | VA86625 | 1 | MOTOR COVER KIT |
| 7 | VA80724 | 1 | SOUND SPONG KIT EXTREME INCL.TOP AND MID |
| 8 | VA86626 | 1 | MOTOR PRESSING DISH KIT |
| 9 | VA86608 | 1 | MOTOR ASSEMBLY KIT |
| 10 | GV70008 | 1 | SEAL PLATE |
| 11 | VA86627 | 1 | MOTOR SUPPORTING BASE KIT |
| 12 | VA86610 | 1 | FLOW DIVIDER DISH KIT |
| 13 | VA80063 | 1 | FLOAT CUP |
| 14 | VA80766 | 1 | FLOAT CUP HOLDER |
| 15 | VA80119 | 1 | 55L ABSORBING DUST FILTER |
| 16 | VA80734 | 2 | TANK CATCH KIT |
| 17 | VA86612 | 2 | HANDLE LIFT KIT |
| 18 | VA86613 | 1 | ABSORBING TUBE BASE KIT |
| 19 | VA81275 | 1 | 55L PLASTIC TANK KIT INCL. LOGO SCREW ET |
| 19 | VA86653 | 1 | 55L TANK KIT |
| 20 | VA80923 | 1 | DRAIN WATER KIT |
| 21 | VA80750 | 1 | DRAIN HOLDER KIT |
| 22 | VA86615 | 1 | BOTTOM BASE HANDLE KIT |
| 23 | VA80027 | 1 | CHASSIS ASSEMBLY FOR PLASTIC TANK 55/75L |
| 23 | VA86616 | 1 | TANK BOTTOM BASE KIT |
| 24 | VA86617 | 1 | REAR WHEEL KIT |
| 25 | VA96850 | 2 | CASTER 3 INCH |
| 26 | ZD89002 | 2 | MOTOR CARBON BRUSH |

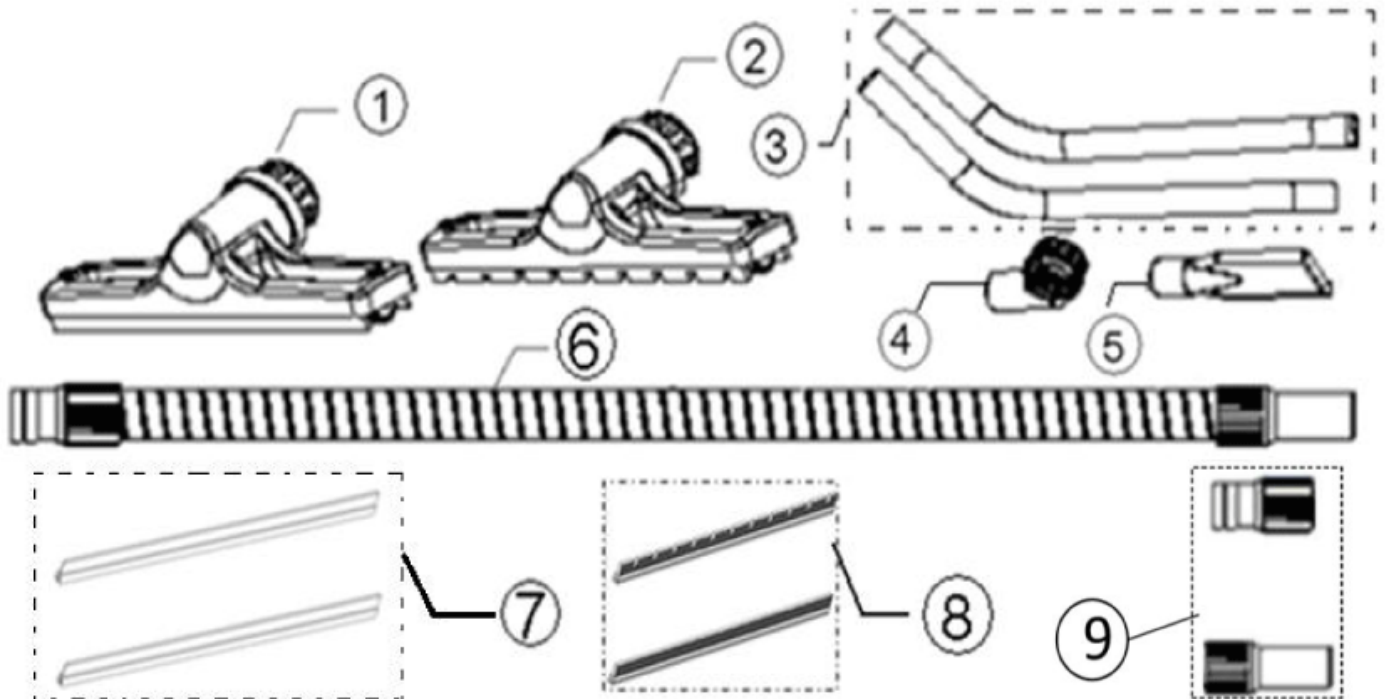
Accessories

LSU155

07-01-2014

Part List ID
LSU39504

5



Accessories

LSU155

07-01-2014

Part List ID
LSU39504

6

| Pos | Part no. | Qty | Description |
|-----|----------|-----|---|
| 1 | VA80853 | 1 | WET PICK-UP TOOL |
| 2 | VA80036 | 1 | DRY PICK-UP TOOL |
| 3 | VA80711 | 1 | WAND ASSEMBLY |
| 4 | VA20803 | 1 | DUSTING Ø 38 MM |
| 5 | VA20806 | 1 | CREVICE TOOL Ø 38 MM |
| 6 | VA80400 | 1 | SUCTION TUBE ASSEMBLY LSU155/255/275/295/375/395 |
| 6 | VA80401 | 1 | SUCTION TUBE ASSEMBLY LSU135 |
| 7 | VA81120 | 1 | SQUEEGEE BLADE KIT |
| 8 | VA81119 | 1 | BRUSH STRIP KIT |
| 9 | VA80654 | 1 | HOSE APDATOR KIT LSU |

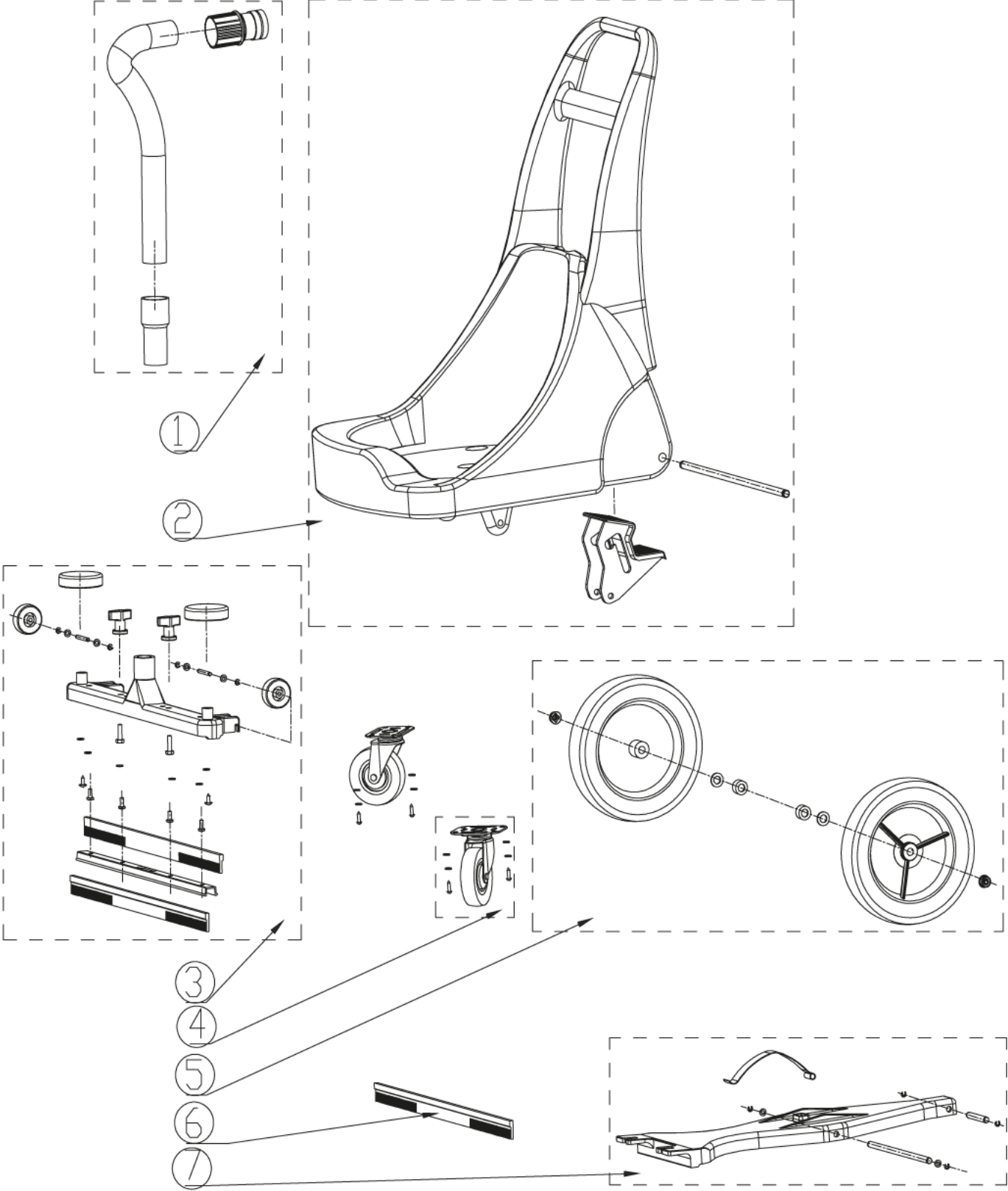
Fixed squeegee chassis

LSU155

07-01-2014

Part List ID
LSU13508

7



Fixed squeegee chassis

LSU155

07-01-2014

Part List ID
LSU13508

8

| Pos | Part no. | Qty | Description |
|-----|-------------|-----|----------------------------------|
| 1 | VA83611-010 | 1 | HOSE ASSEMBLY |
| 2 | VA87703 | 1 | BOTTOM BASE ASSEMBLY |
| 3 | VA00001 | 1 | FRONT MOUNT SQUEEGEE ASSY 24INCH |
| 4 | VA80898 | 2 | 3.5 WHEEL ASSEMBLY |
| 5 | VA80896 | 1 | NON-MARKING10 WHEEL ASSEMBLY |
| 6 | VA85007 | 2 | BLADE 24INCH |
| 7 | VA80897 | 1 | CONNECT BOARD ASSEMBLY |

Wear and Tear Parts

LSU155

07-01-2014

Part List ID
LSU15506

9

No Drawing For Part List

Wear and Tear Parts

LSU155

07-01-2014

Part List ID
LSU15506

10

| Pos | Part no. | Qty | Description | |
|-----|----------|-----|---------------------------|----------------------------|
| 2 | VA91346 | 1 | SWITCH | |
| 4 | VA80734 | 1 | TANK CATCH KIT | |
| 5 | VA86612 | 1 | HANDLE LIFT KIT | LSU155/255/275/295/375/395 |
| 7 | VA80750 | 1 | DRAIN HOLDER KIT | LSU155/255 |
| 8 | VA80119 | 1 | 55L ABSORBING DUST FILTER | LSU155/255/275/295 |
| 9 | VA96850 | 1 | CASTER 3 INCH | LSU155/255/275/295/375/395 |
| 11 | VA80923 | 1 | DRAIN WATER KIT | LSU155/255 |