



☎@07351-5758060

kontakt@nilfisk-alto-shop.com



Preisabfrage bzw. Bestellungen der Artikel im Shop unter

www.nilfisk-alto-shop.com

einfach die Artikelnummer in die Suchmaske eingeben

(Bitte die Artikelnummer ohne Leerzeichen eingeben)

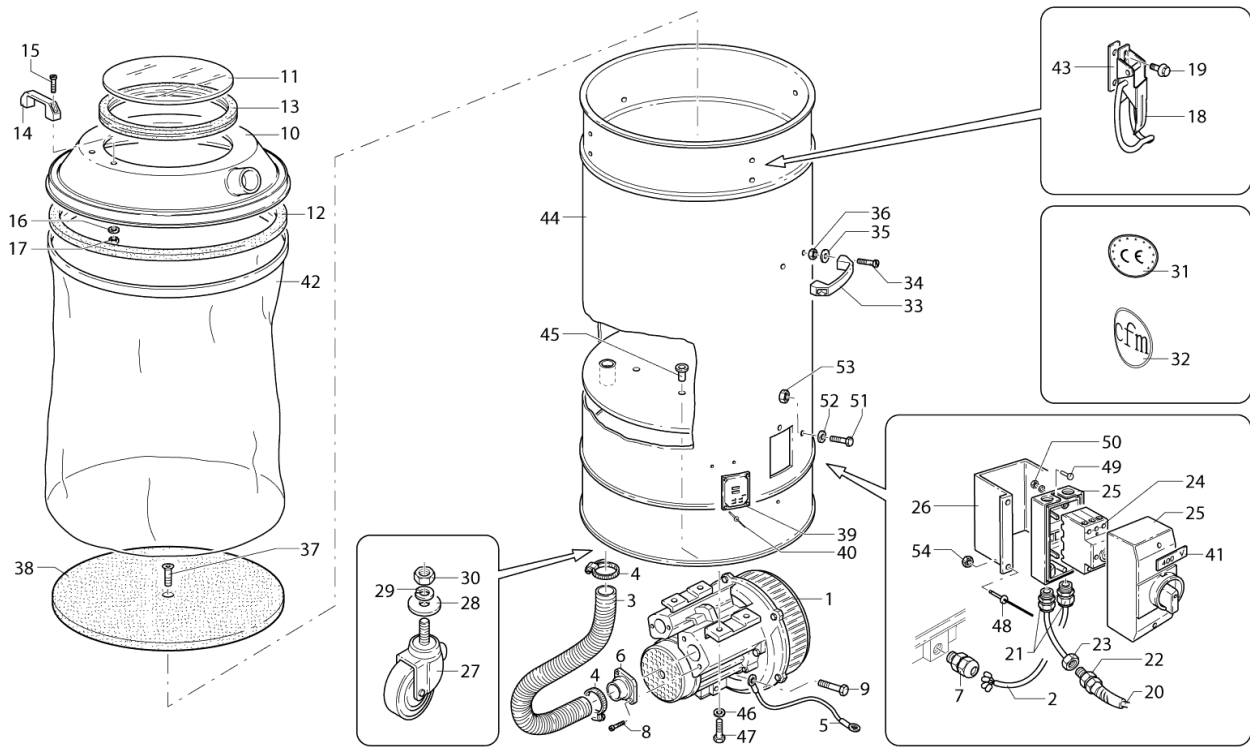
PARTS LIST



2021.07.25

TABLE OF CONTENTS

| | |
|--------------|----|
| L28 - 1..... | 1 |
| L28 - 2..... | 5 |
| L28 - 3..... | 9 |
| L28 - 4..... | 13 |
| L28 - 7..... | 17 |
| L28 - 5..... | 19 |
| L28 - 6..... | 21 |



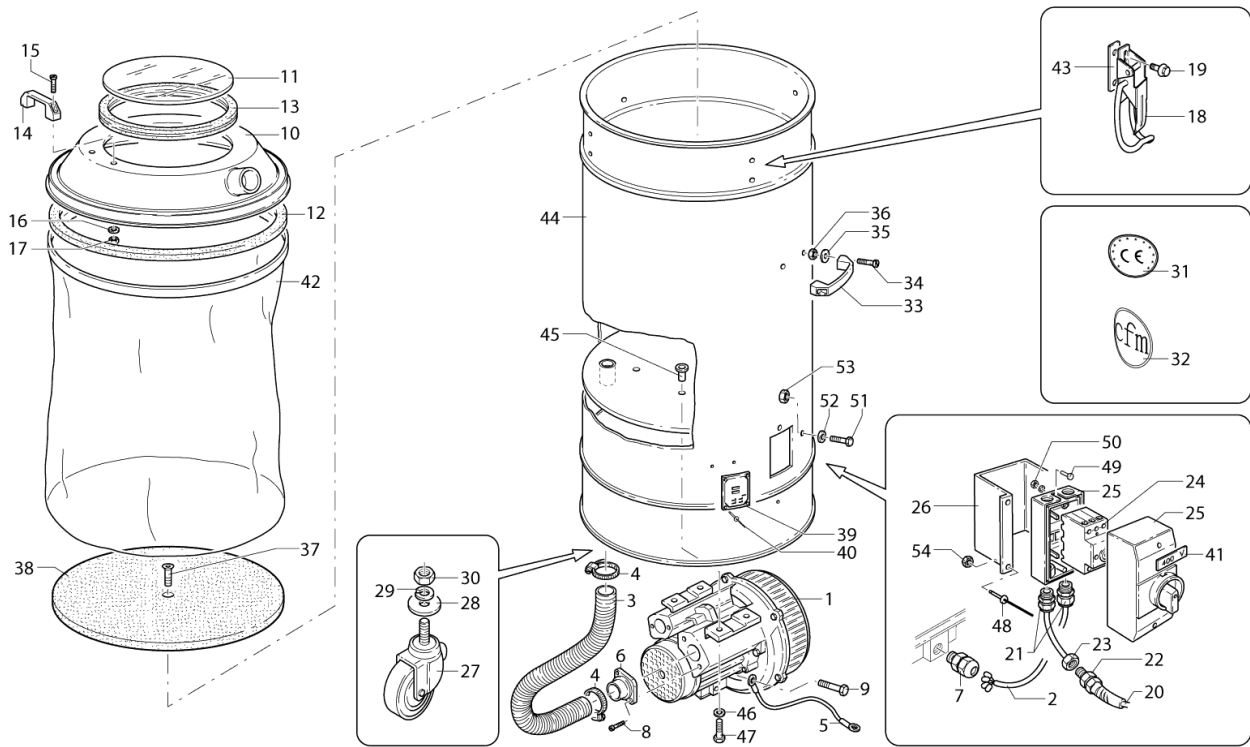
| Pos. | Artikel-Nr. | Menge | Variante | Notes |
|------|--------------|-------|------------------------------------------|-------|
| 01 | Z4 55010 HP1 | 1 | Nilfisk Hochleistungs-Verdichter KW 0.75 | |
| 02 | Z8 39028 | 1 | Kabel | [1] |
| 03 | Z7 24111 | 1 | TUBE POLYURETHAN D50 IN METERS | [2] |
| 04 | Z8 40040 | 2 | Schlauchklammer aus Metall ;40-60 | |
| 05 | Z8 39668 | 1 | Kabel | |
| 06 | Z8 40106 | 1 | Anschluß-Flansch D50 #550 | |
| 07 | Z8 39793 | 1 | Verschraubung M25 | |
| 08 | ZBVTCE0816X | 2 | | [3] |
| 08 | ZBVTCE0816ZB | 2 | | [4] |
| 09 | ZBVATE0510X | 1 | | [5] |
| 09 | ZBVATE0510ZB | 1 | | [6] |
| 10 | Z8 12079 | 1 | CAP D460 INOX HOLE D50 MOD. R | [1] |
| 10 | Z8 12109 | 1 | IRON COVER FOR MODEL R D460 | [7] |
| 11 | Z8 12140 | 1 | Sichtfenster D270 Mod R | |
| 12 | Z8 17223 | 1 | Kesseldichtung R 305 V | |
| 13 | Z8 17254 | 1 | Dichtung D270 für Sichtfe | |
| 14 | Z8 40038 | 2 | Griff PVC | |
| 15 | ZBVTCE0816X | 4 | | [3] |
| 15 | ZBVTCE0816ZB | 4 | | [4] |
| 16 | ZBRO0832X | 4 | | [8] |
| 16 | ZBRO0832ZB | 4 | | [9] |
| 17 | ZBDN08X | 4 | | [10] |
| 17 | ZBDN08ZB | 4 | | [11] |
| 18 | Z8 36030 | 4 | Spannverschlüsse V2A | |
| 18 | Z8 36028 | 4 | Spannbügel FE | |
| 19 | ZBVTEZ0608X | 8 | | [12] |
| 19 | ZBVTEZ0608ZB | 8 | | [13] |
| 20 | Z8 39024 | 1 | Kabel | |
| 21 | Z8 39055 | 2 | Kabelverschraubung PG 16 | |
| 22 | Z8 39097 | 1 | Zugentlastung | |
| 23 | Z8 39567 | 1 | Metallring | |
| 24 | Z8 39678 | 1 | Motorschutzschalter | |
| 25 | Z8 39947 | 1 | Gehäuseschutz für Schalte | |
| 26 | Z8 16254 | 1 | SUPPORT BOARD MOD. R | [14] |
| 27 | Z8 40001 | 4 | PIVOTING WHEEL D60 M12GREY CONTAINERS | |
| 28 | ZBRO1236X | 4 | | [15] |
| 28 | ZBRO1236ZB | 4 | | [16] |
| 29 | ZBROG12ZB | 4 | | [17] |
| 29 | ZBROG12X | 4 | | [18] |
| 30 | ZBDN12ZB | 4 | | [19] |
| 30 | ZBDN12X | 4 | | [20] |
| 31 | Z8 17349 | 1 | CE MARK LABEL | [7] |
| 32 | Z8 17083 | 1 | GREEN LABEL CFM BIG GREEN | [21] |
| 32 | Z8 17340 | 1 | Aufkleber Mod. 3307 | [21] |
| 33 | Z8 40038 | 2 | Griff PVC | |
| 34 | ZBVTCE0816ZB | 4 | | [4] |
| 34 | ZBVTCE0816X | 4 | | [3] |
| 35 | ZBRO0832ZB | 4 | | [9] |
| 35 | ZBRO0832X | 4 | | [8] |
| 36 | ZBDN08ZB | 4 | | [11] |
| 36 | ZBDN08X | 4 | | [10] |
| 37 | ZBVTSPO625ZB | 1 | | [22] |
| 37 | ZBVTSPO625X | 1 | | [23] |
| 38 | Z8 12042 | 1 | Sicherheitssieb für Mod. | |
| 39 | Z8 17015 | 1 | Typenschilder für Drehstr | |
| 40 | ZBRI0307A | 4 | | [24] |
| 41 | Z8 17089 | 1 | Aufkleber 400V | |
| 42 | Z8 17090 | 1 | Taschenfilter Ø460mm Nylon | |
| 43 | Z8 18010 | 4 | Gegenplatte Spannbügel | |

| Pos. | Artikel-Nr. | Menge | Variante | Notes |
|------|--------------|-------|---------------------------------------|-------|
| 44 | Z8 30034 | 1 | CONTAINER D460X970 INOX MOD. R | [14] |
| 44 | Z8 30035 | 1 | Behälter D460x970 FE MOD. R | [1] |
| 45 | Z8 38037 | 4 | THREADED INSERT M8 | [1] |
| 46 | ZBRO0824X | 4 | | [25] |
| 46 | ZBRO0824ZB | 4 | | [26] |
| 47 | ZBVTE0825ZB | 4 | | [27] |
| 47 | ZBVTE0825X | 4 | | [28] |
| 48 | ZBRI0410A | 4 | | [29] |
| 49 | ZBVTBC0412X | 2 | | [30] |
| 49 | ZBVTBC0412ZB | 2 | | [31] |
| 50 | ZBDN04X | 2 | | [32] |
| 50 | ZBDN04ZB | 2 | | [33] |
| 51 | ZBVTBC0610ZB | 1 | | [34] |
| 51 | ZBVTBC0610X | 1 | | [35] |
| 52 | ZBRO06ZB | 1 | | [36] |
| 52 | ZBRO06X | 1 | | [37] |
| 53 | ZBDN06X | 1 | | [38] |
| 53 | ZBDN06ZB | 1 | | [39] |
| 54 | ZBRO04ZB | 1 | | [40] |
| 54 | ZBRO04X | 1 | | [41] |
| 55 | Z4 55R104 | 1 | SUCTION UNIT KW0.74V400/50 COMPLETE x | [42] |
| 56 | Z8 31261 | 1 | CAP D460 INOX COMPL.MOD.R | [1] |
| 56 | Z8 31260 | 1 | CAP D460 FE COMPL. MOD.R | |

Part Notes:

- [1] - CONTACT PM IN ZOCCA
- [2] - SEE PB13-2011
- [3] - ZBVTCC0816X
- [4] - ZBVTCC0816ZB
- [5] - ZBVATE0510X
- [6] - ZBVATE0510ZB
- [7] - CONTACT PROD MANAGEMENT
- [8] - ZBRO0832X
- [9] - ZBRO0832ZB
- [10] - ZBDN08X
- [11] - ZBDN08ZB
- [12] - ZBVTEZ0608X
- [13] - ZBVTEZ0608ZB
- [14] - SEE SM-SP-007
- [15] - ZBRO1236X
- [16] - ZBRO1236ZB
- [17] - ZBROG12ZB
- [18] - ZBROG12X
- [19] - ZBDN12ZB
- [20] - ZBDN12X
- [21] - NO MORE AVAILABLE
- [22] - ZBVTSP0625ZB
- [23] - ZBVTSP0625X
- [24] - ZBRI0307A
- [25] - ZBRO0824X
- [26] - ZBRO0824ZB
- [27] - ZBVTE0825ZB
- [28] - ZBVTE0825X
- [29] - ZBRI0410A
- [30] - ZBVTBC0412X
- [31] - ZBVTBC0412ZB
- [32] - ZBDN04X
- [33] - ZBDN04ZB
- [34] - ZBVTBC0610ZB

- [35] - ZBVTBC0610X
- [36] - ZBRO06ZB
- [37] - ZBRO06X
- [38] - ZBDN06X
- [39] - ZBDN06ZB
- [40] - ZBRO04ZB
- [41] - ZBRO04X
- [42] - Z4 55R104
CONTACT PM IN ZOCCA



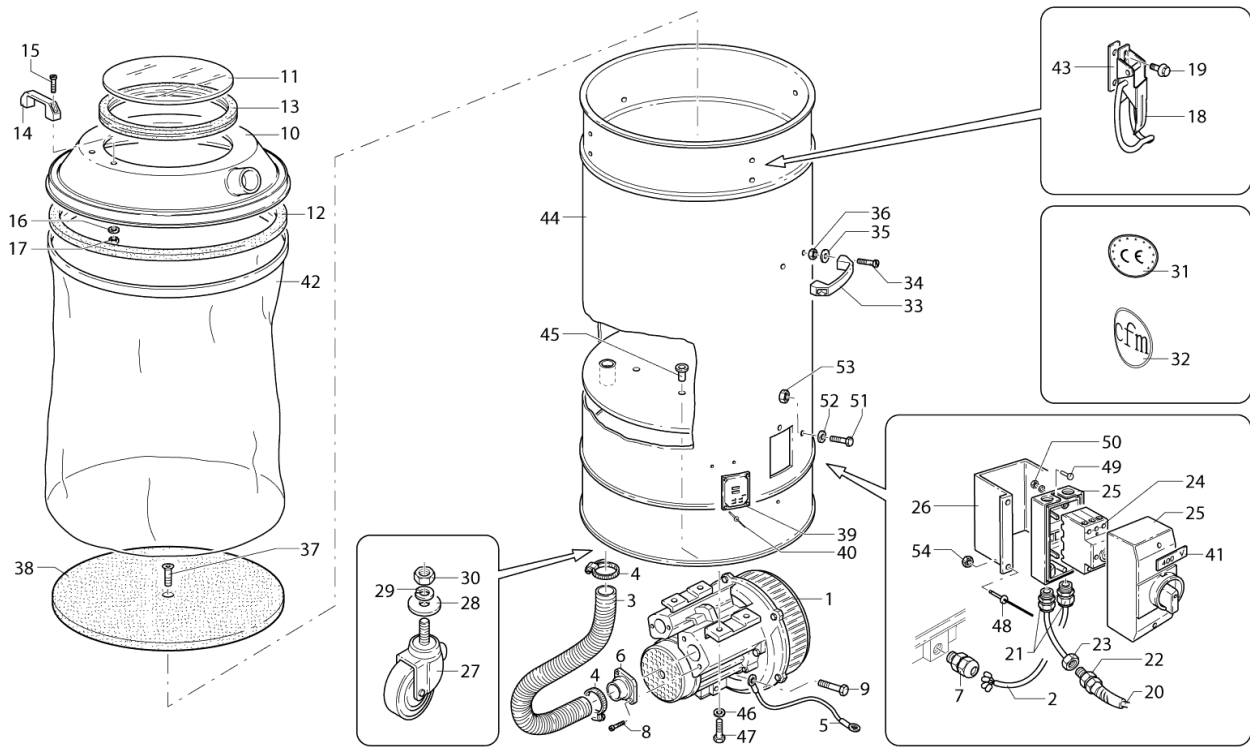
| Pos. | Artikel-Nr. | Menge | Variante | Notes |
|------|----------------|-------|------------------------------------------|-------|
| 01 | 4085500449 | 1 | SUCTION UNIT KW1,3 COMP.230/400 R154 | |
| 02 | Z8 39235 | 1 | CABLE CONN.MOT. 4G1.5 FROR MOD.R104-R154 | [1] |
| 03 | Z7 24111 | 1 | TUBE POLYURETHAN D50 IN METERS | [2] |
| 04 | Z8 40040 | 2 | Schlauchklammer aus Metall ;40-60 | |
| 05 | Z8 39668 | 1 | Kabel | |
| 08 | ZBVTCCCE0816X | 2 | | [3] |
| 08 | ZBVTCCCE0816ZB | 2 | | [4] |
| 09 | ZBVATE0510X | 1 | | [5] |
| 09 | ZBVATE0510ZB | 1 | | [6] |
| 10 | Z8 12079 | 1 | CAP D460 INOX HOLE D50 MOD. R | [1] |
| 10 | Z8 12109 | 1 | IRON COVER FOR MODEL R D460 | [7] |
| 11 | Z8 12140 | 1 | Sichtfenster D270 Mod R | |
| 12 | Z8 17223 | 1 | Kesseldichtung R 305 V | |
| 13 | Z8 17254 | 1 | Dichtung D270 für Sichtfe | |
| 14 | Z8 40038 | 2 | Griff PVC | |
| 15 | ZBVTCCCE0816X | 4 | | [3] |
| 15 | ZBVTCCCE0816ZB | 4 | | [4] |
| 16 | ZBRO0832X | 4 | | [8] |
| 16 | ZBRO0832ZB | 4 | | [9] |
| 17 | ZBDN08X | 4 | | [10] |
| 17 | ZBDN08ZB | 4 | | [11] |
| 18 | Z8 36030 | 4 | Spannverschlüsse V2A | |
| 18 | Z8 36028 | 4 | Spannbügel FE | |
| 19 | ZBVTEZ0608X | 8 | | [12] |
| 19 | ZBVTEZ0608ZB | 8 | | [13] |
| 20 | Z8 39024 | 1 | Kabel | |
| 21 | Z8 39055 | 2 | Kabelverschraubung PG 16 | |
| 22 | Z8 39097 | 1 | Zugentlastung | |
| 23 | Z8 39567 | 1 | Metallring | |
| 24 | Z8 39678 | 1 | Motorschutzschalter | |
| 25 | Z8 39947 | 1 | Gehäuseschutz für Schalte | |
| 26 | Z8 16254 | 1 | SUPPORT BOARD MOD. R | [14] |
| 27 | Z8 40001 | 4 | PIVOTING WHEEL D60 M12GREY CONTAINERS | |
| 28 | ZBRO1236X | 4 | | [15] |
| 28 | ZBRO1236ZB | 4 | | [16] |
| 29 | ZBROG12X | 4 | | [17] |
| 29 | ZBROG12ZB | 4 | | [18] |
| 30 | ZBDN12ZB | 4 | | [19] |
| 30 | ZBDN12X | 4 | | [20] |
| 31 | Z8 17349 | 1 | CE MARK LABEL | [7] |
| 32 | Z8 17340 | 1 | Aufkleber Mod. 3307 | [21] |
| 32 | Z8 17083 | 1 | GREEN LABEL CFM BIG GREEN | [21] |
| 33 | Z8 40038 | 2 | Griff PVC | |
| 34 | ZBVTCCCE0816X | 4 | | [3] |
| 34 | ZBVTCCCE0816ZB | 4 | | [4] |
| 35 | ZBRO0832ZB | 4 | | [9] |
| 35 | ZBRO0832X | 4 | | [8] |
| 36 | ZBDN08ZB | 4 | | [11] |
| 36 | ZBDN08X | 4 | | [10] |
| 37 | ZBVTSP0625ZB | 1 | | [22] |
| 37 | ZBVTSP0625X | 1 | | [23] |
| 38 | Z8 12042 | 1 | Sicherheitssieb für Mod. | |
| 39 | Z8 17015 | 1 | Typenschilder für Drehstr | |
| 40 | ZBRI0307A | 4 | | [24] |
| 41 | Z8 17089 | 1 | Aufkleber 400V | |
| 42 | Z8 17090 | 1 | Taschenfilter Ø460mm Nylon | |
| 43 | Z8 18010 | 4 | Gegenplatte Spannbügel | |
| 44 | Z8 30034 | 1 | CONTAINER D460X970 INOX MOD. R | [14] |
| 44 | Z8 30035 | 1 | Behälter D460x970 FE MOD. R | [1] |

| Pos. | Artikel-Nr. | Menge | Variante | Notes |
|------|--------------|-------|--------------------------------------|-------|
| 45 | Z8 38037 | 4 | THREADED INSERT M8 | [1] |
| 46 | ZBRO0824X | 4 | | [25] |
| 46 | ZBRO0824ZB | 4 | | [26] |
| 47 | ZBVTE0830X | 4 | | [27] |
| 47 | ZBVTE0830ZB | 4 | | [28] |
| 48 | ZBRI0410A | 4 | | [29] |
| 49 | ZBVTBC0412X | 2 | | [30] |
| 49 | ZBVTBC0412ZB | 2 | | [31] |
| 50 | ZBDN04X | 2 | | [32] |
| 50 | ZBDN04ZB | 2 | | [33] |
| 51 | ZBVTBC0610X | 1 | | [34] |
| 51 | ZBVTBC0610ZB | 1 | | [35] |
| 52 | ZBRO06ZB | 1 | | [36] |
| 52 | ZBRO06X | 1 | | [37] |
| 53 | ZBDN06ZB | 1 | | [38] |
| 53 | ZBDN06X | 1 | | [39] |
| 54 | ZBRO04X | 1 | | [40] |
| 54 | ZBRO04ZB | 1 | | [41] |
| 55 | Z4 54R154 | 1 | SUCTION UNIT KW1.1V400/50 COMPLETE x | [42] |
| 56 | Z8 31261 | 1 | CAP D460 INOX COMPL.MOD.R | [1] |
| 56 | Z8 31260 | 1 | CAP D460 FE COMPL. MOD.R | |

Part Notes:

- [1] - CONTACT PM IN ZOCCA
- [2] - SEE PB13-2011
- [3] - ZBVTCC0816X
- [4] - ZBVTCC0816ZB
- [5] - ZBVATE0510X
- [6] - ZBVATE0510ZB
- [7] - CONTACT PROD MANAGEMENT
- [8] - ZBRO0832X
- [9] - ZBRO0832ZB
- [10] - ZBDN08X
- [11] - ZBDN08ZB
- [12] - ZBVTEZ0608X
- [13] - ZBVTEZ0608ZB
- [14] - SEE SM-SP-007
- [15] - ZBRO1236X
- [16] - ZBRO1236ZB
- [17] - ZBROG12X
- [18] - ZBROG12ZB
- [19] - ZBDN12ZB
- [20] - ZBDN12X
- [21] - NO MORE AVAILABLE
- [22] - ZBVTSP0625ZB
- [23] - ZBVTSP0625X
- [24] - ZBRI0307A
- [25] - ZBRO0824X
- [26] - ZBRO0824ZB
- [27] - ZBVTE0830X
- [28] - ZBVTE0830ZB
- [29] - ZBRI0410A
- [30] - ZBVTBC0412X
- [31] - ZBVTBC0412ZB
- [32] - ZBDN04X
- [33] - ZBDN04ZB
- [34] - ZBVTBC0610X
- [35] - ZBVTBC0610ZB
- [36] - ZBRO06ZB

- [37] - ZBRO06X
- [38] - ZBDN06ZB
- [39] - ZBDN06X
- [40] - ZBRO04X
- [41] - ZBRO04ZB
- [42] - Z4 54R154
CONTACT PM IN ZOCCA



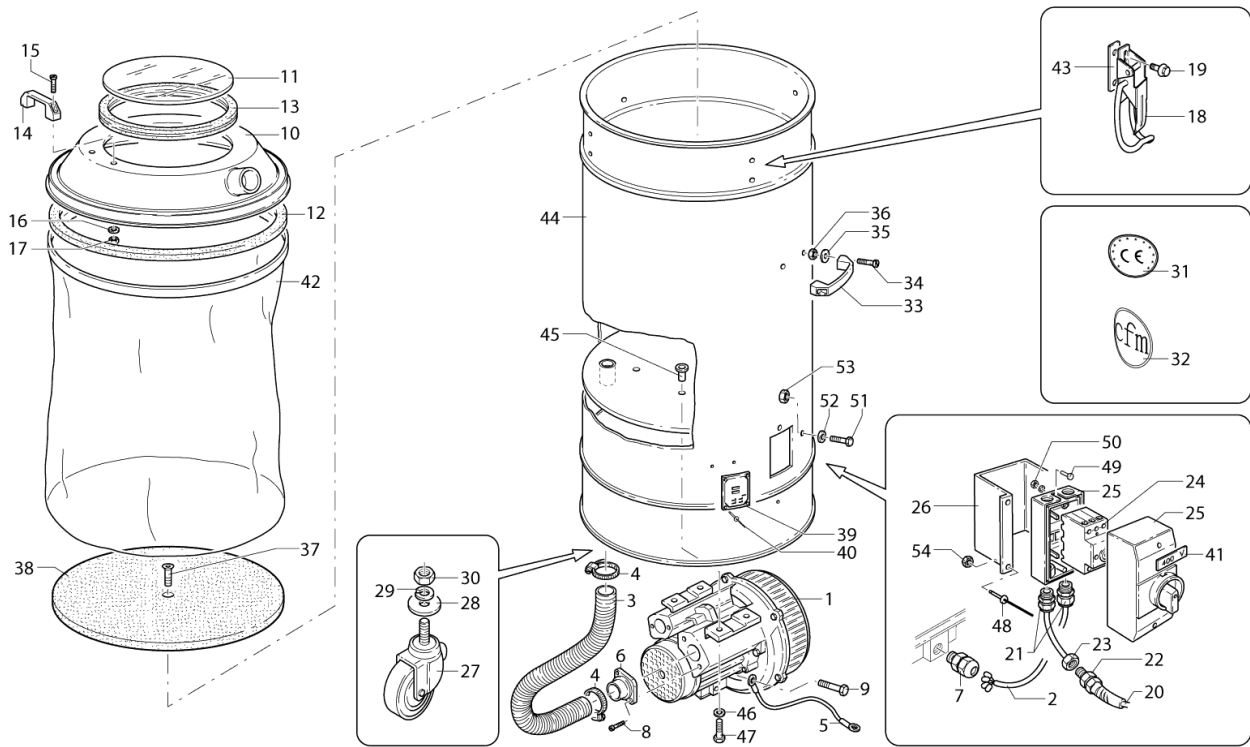
| Pos. | Artikel-Nr. | Menge | Variante | Notes |
|------|----------------|-------|------------------------------------------|-------|
| 01 | 4085500452 | 1 | SUCTION UNIT KW1,6 COMP.230/400V R155 | |
| 01 | 4085500449 | 1 | SUCTION UNIT KW1,3 COMP.230/400 R154 | |
| 02 | Z8 39235 | 1 | CABLE CONN.MOT. 4G1.5 FROR MOD.R104-R154 | [1] |
| 03 | Z7 24111 | 1 | TUBE POLYURETHAN D50 IN METERS | [2] |
| 04 | Z8 40040 | 2 | Schlauchklammer aus Metall ;40-60 | |
| 05 | Z8 39668 | 1 | Kabel | |
| 08 | ZBVTCCCE0816X | 2 | | [3] |
| 08 | ZBVTCCCE0816ZB | 2 | | [4] |
| 09 | ZBVATE0510X | 1 | | [5] |
| 09 | ZBVATE0510ZB | 1 | | [6] |
| 10 | 4083101157 | 1 | CAP D560 FE COMPL. MOD. R INLET D70 | [7] |
| 10 | 4083101160 | 1 | Deckel kpl. D560 | [8] |
| 10 | Z8 12121 | 1 | CAP D560 INOX HOLE D50 MOD. R | [1] |
| 10 | Z8 12120 | 1 | CAP D560 FE HOLE D50 MOD. R | [1] |
| 11 | Z8 12140 | 1 | Sichtfenster D270 Mod R | |
| 12 | Z8 17223 | 1 | Kesseldichtung R 305 V | |
| 13 | Z8 17254 | 1 | Dichtung D270 für Sichtfe | |
| 14 | Z8 40038 | 2 | Griff PVC | |
| 15 | ZBVTCCCE0816X | 4 | | [3] |
| 15 | ZBVTCCCE0816ZB | 4 | | [4] |
| 16 | ZBRO0832X | 4 | | [9] |
| 16 | ZBRO0832ZB | 4 | | [10] |
| 17 | ZBDN08X | 4 | | [11] |
| 17 | ZBDN08ZB | 4 | | [12] |
| 18 | Z8 36030 | 4 | Spannverschlüsse V2A | |
| 18 | Z8 36028 | 4 | Spannbügel FE | |
| 19 | ZBVTEZ0608X | 8 | | [13] |
| 19 | ZBVTEZ0608ZB | 8 | | [14] |
| 20 | Z8 39024 | 1 | Kabel | |
| 21 | Z8 39055 | 2 | Kabelverschraubung PG 16 | |
| 22 | Z8 39060 | 1 | Kabeldurchführung PG 16/ | |
| 23 | Z8 39568 | 1 | Nutmutter | |
| 24 | Z8 39678 | 1 | Motorschutzschalter | |
| 25 | Z8 39947 | 1 | Gehäuseschutz für Schalte | |
| 26 | Z8 16254 | 1 | SUPPORT BOARD MOD. R | [15] |
| 27 | Z8 40009 | 4 | Lenkrolle | |
| 28 | ZBRO1236X | 4 | | [16] |
| 28 | ZBRO1236ZB | 4 | | [17] |
| 29 | ZBROG12X | 4 | | [18] |
| 29 | ZBROG12ZB | 4 | | [19] |
| 30 | ZBDN12ZB | 4 | | [20] |
| 30 | ZBDN12X | 4 | | [21] |
| 31 | Z8 17349 | 1 | CE MARK LABEL | [22] |
| 32 | Z8 17340 | 1 | Aufkleber Mod. 3307 | [23] |
| 32 | Z8 17083 | 1 | GREEN LABEL CFM BIG GREEN | [23] |
| 33 | Z8 40038 | 2 | Griff PVC | |
| 34 | ZBVTCCCE0816X | 4 | | [3] |
| 34 | ZBVTCCCE0816ZB | 4 | | [4] |
| 35 | ZBRO0832ZB | 4 | | [10] |
| 35 | ZBRO0832X | 4 | | [9] |
| 36 | ZBDN08ZB | 4 | | [12] |
| 36 | ZBDN08X | 4 | | [11] |
| 37 | ZBVTSP0625ZB | 1 | | [24] |
| 37 | | 1 | ZBVTSP0625X | [25] |
| 37 | ZBVTSP0625X | 1 | | [25] |
| 38 | Z8 12043 | 1 | Siebeinsatz D560 für Mod. | |
| 38 | Z8 12043 | 1 | Siebeinsatz D560 für Mod. | |
| 39 | Z8 17015 | 1 | Typenschilder für Drehstr | |
| 39 | Z8 17015 | 1 | Typenschilder für Drehstr | |

| Pos. | Artikel-Nr. | Menge | Variante | Notes |
|------|--------------|-------|--------------------------------------|-------|
| 40 | | 4 | ZBRI0307A | [26] |
| 40 | ZBRI0307A | 4 | | [26] |
| 41 | Z8 17089 | 1 | Aufkleber 400V | |
| 41 | Z8 17089 | 1 | Aufkleber 400V | |
| 42 | Z8 17094 | 1 | Taschenfilter Ø560mm Nylon | |
| 42 | Z8 17094 | 1 | Taschenfilter Ø560mm Nylon | |
| 43 | Z8 18010 | 4 | Gegenplatte Spannbügel | |
| 43 | Z8 18010 | 4 | Gegenplatte Spannbügel | |
| 44 | Z8 30082 | 1 | CONTAINER D560x970 INOX MOD. R | [1] |
| 44 | Z8 30083 | 1 | Behälter D560x970 Mod.R F | |
| 44 | Z8 30083 | 1 | Behälter D560x970 Mod.R F | |
| 44 | Z8 30082 | 1 | CONTAINER D560x970 INOX MOD. R | [1] |
| 45 | Z8 38037 | 4 | THREADED INSERT M8 | [1] |
| 45 | Z8 38037 | 4 | THREADED INSERT M8 | [1] |
| 46 | | 4 | ZBRO0824X | [27] |
| 46 | ZBRO0824X | 4 | | [27] |
| 46 | | 4 | ZBRO0824ZB | [28] |
| 46 | ZBRO0824ZB | 4 | | [28] |
| 47 | | 4 | ZBVTE0825X | [29] |
| 47 | | 4 | ZBVTE0825ZB | [30] |
| 47 | ZBVTE0830X | 4 | | [31] |
| 47 | ZBVTE0830ZB | 4 | | [32] |
| 48 | ZBRI0410A | 4 | | [33] |
| 48 | | 4 | ZBRI0410A | [33] |
| 49 | ZBVTBC0412X | 2 | | [34] |
| 49 | ZBVTBC0412ZB | 2 | | [35] |
| 49 | | 2 | ZBVTBC0412X | [34] |
| 49 | | 2 | ZBVTBC0412ZB | [35] |
| 50 | | 2 | ZBDN04X | [36] |
| 50 | ZBDN04ZB | 2 | | [37] |
| 50 | | 2 | ZBDN04ZB | [37] |
| 50 | ZBDN04X | 2 | | [36] |
| 51 | ZBVTBC0610X | 1 | | [38] |
| 51 | ZBVTBC0610ZB | 1 | | [39] |
| 51 | | 1 | ZBVTBC0610X | [38] |
| 51 | | 1 | ZBVTBC0610ZB | [39] |
| 52 | | 1 | ZBRO06X | [40] |
| 52 | ZBRO06X | 1 | | [40] |
| 52 | ZBRO06ZB | 1 | | [41] |
| 52 | | 1 | ZBRO06ZB | [41] |
| 53 | | 1 | ZBDN06X | [42] |
| 53 | ZBDN06X | 1 | | [42] |
| 53 | ZBDN06ZB | 1 | | [43] |
| 53 | | 1 | ZBDN06ZB | [43] |
| 54 | ZBRO04X | 1 | | |
| 54 | ZBRO04ZB | 1 | | [44] |
| 54 | | 1 | ZBRO04ZB | [44] |
| 55 | Z4 54R154 | 1 | SUCTION UNIT KW1.1V400/50 COMPLETE x | [1] |
| 56 | Z8 31262 | 1 | Haube D560 kpl. | |
| 56 | Z8 31263 | 1 | Deckel D560 V2A Mod.R kom | |

Part Notes:

- [1] - CONTACT PM IN ZOCCA
- [2] - SEE PB13-2011
- [3] - ZBVTCC0816X
- [4] - ZBVTCC0816ZB
- [5] - ZBVATE0510X
- [6] - ZBVATE0510ZB
- [7] - Including handle and bent coupling

-
- [8] - CONTACT PM IN ZOCCA
Including handle and bent coupling
 - [9] - ZBRO0832X
 - [10] - ZBRO0832ZB
 - [11] - ZBDN08X
 - [12] - ZBDN08ZB
 - [13] - ZBVTEZ0608X
 - [14] - ZBVTEZ0608ZB
 - [15] - SEE SM-SP-007
 - [16] - ZBRO1236X
 - [17] - ZBRO1236ZB
 - [18] - ZBROG12X
 - [19] - ZBROG12ZB
 - [20] - ZBDN12ZB
 - [21] - ZBDN12X
 - [22] - CONTACT PROD MANAGEMENT
 - [23] - NO MORE AVAILABLE
 - [24] - ZBVTSP0625ZB
 - [25] - ZBVTSP0625X
 - [26] - ZBRI0307A
 - [27] - ZBRO0824X
 - [28] - ZBRO0824ZB
 - [29] - ZBVTE0825X
 - [30] - ZBVTE0825ZB
 - [31] - ZBVTE0830X
 - [32] - ZBVTE0830ZB
 - [33] - ZBRI0410A
 - [34] - ZBVTBC0412X
 - [35] - ZBVTBC0412ZB
 - [36] - ZBDN04X
 - [37] - ZBDN04ZB
 - [38] - ZBVTBC0610X
 - [39] - ZBVTBC0610ZB
 - [40] - ZBRO06X
 - [41] - ZBRO06ZB
 - [42] - ZBDN06X
 - [43] - ZBDN06ZB
 - [44] - ZBRO04ZB



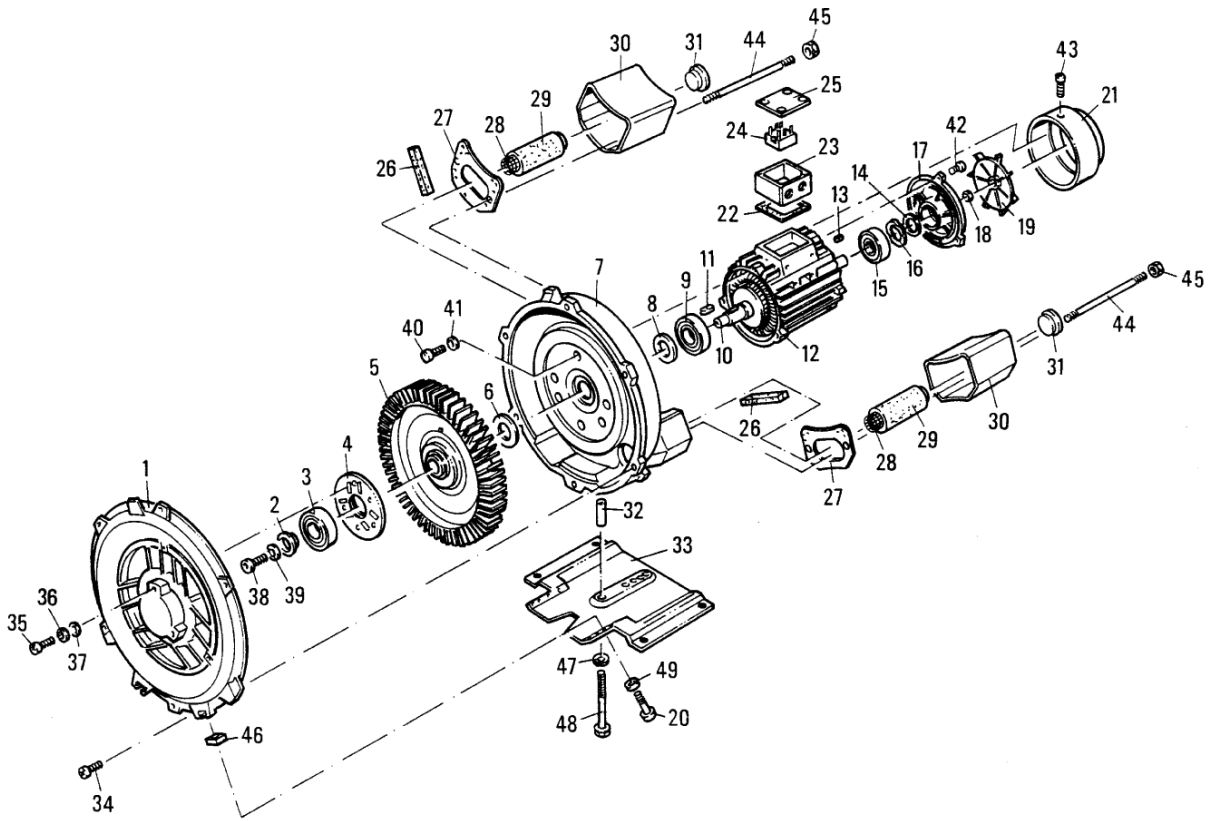
| Pos. | Artikel-Nr. | Menge | Variante | Notes |
|------|---------------|-------|------------------------------------|-------|
| 01 | Z4 55030 HP 3 | 1 | Verdichter 2,2 KW | |
| 02 | Z8 39285 | 1 | CABLE CONN.MOT. 4G2.5 NE. MOD.3507 | [1] |
| 03 | Z7 24111 | 1 | TUBE POLYURETHAN D50 IN METERS | [2] |
| 04 | Z8 40040 | 2 | Schlauchklammer aus Metall ;40-60 | |
| 05 | Z8 39668 | 1 | Kabel | |
| 06 | Z8 40106 | 1 | Anschluß-Flansch D50 #550 | |
| 07 | Z8 39793 | 1 | Verschraubung M25 | |
| 08 | ZBVTCE0816X | 2 | | [3] |
| 08 | ZBVTCE0816ZB | 2 | | [4] |
| 09 | ZBVATE0510X | 1 | | [5] |
| 09 | ZBVATE0510ZB | 1 | | [6] |
| 10 | Z8 12121 | 1 | CAP D560 INOX HOLE D50 MOD. R | [1] |
| 10 | Z8 12120 | 1 | CAP D560 FE HOLE D50 MOD. R | [1] |
| 11 | Z8 12140 | 1 | Sichtfenster D270 Mod R | |
| 12 | Z8 17223 | 1 | Kesseldichtung R 305 V | |
| 13 | Z8 17254 | 1 | Dichtung D270 für Sichtfe | |
| 14 | Z8 40038 | 2 | Griff PVC | |
| 15 | ZBVTCE0816X | 4 | | [3] |
| 15 | ZBVTCE0816ZB | 4 | | [4] |
| 16 | ZBRO0832X | 4 | | [7] |
| 16 | ZBRO0832ZB | 4 | | [8] |
| 17 | ZBDN08X | 4 | | [9] |
| 17 | ZBDN08ZB | 4 | | [10] |
| 18 | Z8 36030 | 4 | Spannverschlüsse V2A | |
| 18 | Z8 36028 | 4 | Spannbügel FE | |
| 19 | ZBVTEZ0608X | 8 | | [11] |
| 19 | ZBVTEZ0608ZB | 8 | | [12] |
| 20 | Z8 39018 | 1 | Anschlußkabel 4G2,5 | [1] |
| 21 | Z8 39055 | 2 | Kabelverschraubung PG 16 | |
| 22 | Z8 39060 | 1 | Kabeldurchführung PG 16/ | |
| 23 | Z8 39568 | 1 | Nutmutter | |
| 24 | Z8 39679 | 1 | Motorschutzschalter 4-6,3 | |
| 25 | Z8 39947 | 1 | Gehäuseschutz für Schalte | |
| 26 | Z8 16254 | 1 | SUPPORT BOARD MOD. R | [13] |
| 27 | Z8 40009 | 4 | Lenkrolle | |
| 28 | ZBRO1236X | 4 | | [14] |
| 28 | ZBRO1236ZB | 4 | | [15] |
| 29 | ZBROG12ZB | 4 | | [16] |
| 29 | ZBROG12X | 4 | | [17] |
| 30 | ZBDN12ZB | 4 | | [18] |
| 30 | ZBDN12X | 4 | | [19] |
| 31 | Z8 17349 | 1 | CE MARK LABEL | [20] |
| 32 | Z8 17083 | 1 | GREEN LABEL CFM BIG GREEN | [21] |
| 32 | Z8 17340 | 1 | Aufkleber Mod. 3307 | [21] |
| 33 | Z8 40038 | 2 | Griff PVC | |
| 34 | ZBVTCE0816ZB | 4 | | [4] |
| 34 | ZBVTCE0816X | 4 | | [3] |
| 35 | ZBRO0832ZB | 4 | | [8] |
| 35 | ZBRO0832X | 4 | | [7] |
| 36 | ZBDN08ZB | 4 | | [10] |
| 36 | ZBDN08X | 4 | | [9] |
| 37 | ZBVTSP0625ZB | 1 | | [22] |
| 37 | ZBVTSP0625X | 1 | | [23] |
| 38 | Z8 12043 | 1 | Siebeinsatz D560 für Mod. | |
| 39 | Z8 17015 | 1 | Typenschilder für Drehstr | |
| 40 | ZBRI0307A | 4 | | [24] |
| 41 | Z8 17089 | 1 | Aufkleber 400V | |
| 42 | Z8 17094 | 1 | Taschenfilter Ø560mm Nylon | |
| 43 | Z8 18010 | 4 | Gegenplatte Spannbügel | |

| Pos. | Artikel-Nr. | Menge | Variante | Notes |
|------|--------------|-------|--------------------------------------|-------|
| 44 | Z8 30082 | 1 | CONTAINER D560x970 INOX MOD. R | [1] |
| 44 | Z8 30083 | 1 | Behälter D560x970 Mod.R F | |
| 45 | Z8 38037 | 4 | THREADED INSERT M8 | [1] |
| 46 | ZBRO0824X | 4 | | [25] |
| 46 | ZBRO0824ZB | 4 | | [26] |
| 47 | ZBVTE0825ZB | 4 | | [27] |
| 47 | ZBVTE0825X | 4 | | [28] |
| 48 | ZBRI0410A | 4 | | [29] |
| 49 | ZBVTBC0412X | 2 | | [30] |
| 49 | ZBVTBC0412ZB | 2 | | [31] |
| 50 | ZBDN04X | 2 | | [32] |
| 50 | ZBDN04ZB | 2 | | [33] |
| 51 | ZBVTBC0610ZB | 1 | | [34] |
| 51 | ZBVTBC0610X | 1 | | [35] |
| 52 | ZBRO06ZB | 1 | | [36] |
| 52 | ZBRO06X | 1 | | [37] |
| 53 | ZBDN06X | 1 | | [38] |
| 53 | ZBDN06ZB | 1 | | [39] |
| 54 | ZBRO04ZB | 1 | | [40] |
| 54 | ZBRO04X | 1 | | |
| 55 | Z4 55R305 | 1 | SUCTION UNIT KW2.2V400/50 COMPLETE x | [1] |
| 56 | Z8 31263 | 1 | Deckel D560 V2A Mod.R kom | |
| 56 | Z8 31262 | 1 | Haube D560 kpl. | |

Part Notes:

- [1] - CONTACT PM IN ZOCCA
- [2] - SEE PB13-2011
- [3] - ZBVTCC0816X
- [4] - ZBVTCC0816ZB
- [5] - ZBVATE0510X
- [6] - ZBVATE0510ZB
- [7] - ZBRO0832X
- [8] - ZBRO0832ZB
- [9] - ZBDN08X
- [10] - ZBDN08ZB
- [11] - ZBVTEZ0608X
- [12] - ZBVTEZ0608ZB
- [13] - SEE SM-SP-007
- [14] - ZBRO1236X
- [15] - ZBRO1236ZB
- [16] - ZBROG12ZB
- [17] - ZBROG12X
- [18] - ZBDN12ZB
- [19] - ZBDN12X
- [20] - CONTACT PROD MANAGEMENT
- [21] - NO MORE AVAILABLE
- [22] - ZBVTSP0625ZB
- [23] - ZBVTSP0625X
- [24] - ZBRI0307A
- [25] - ZBRO0824X
- [26] - ZBRO0824ZB
- [27] - ZBVTE0825ZB
- [28] - ZBVTE0825X
- [29] - ZBRI0410A
- [30] - ZBVTBC0412X
- [31] - ZBVTBC0412ZB
- [32] - ZBDN04X
- [33] - ZBDN04ZB
- [34] - ZBVTBC0610ZB

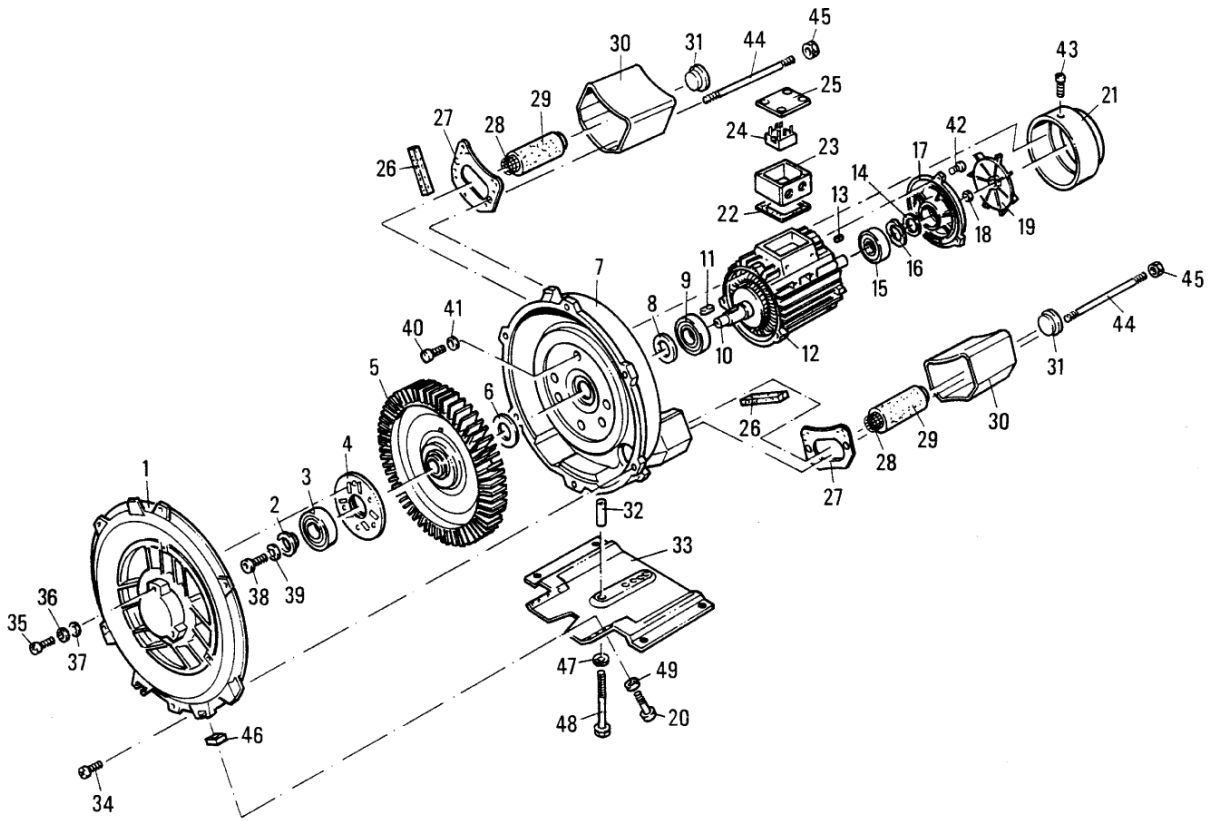
- [35] - ZBVTBC0610X
- [36] - ZBRO06ZB
- [37] - ZBRO06X
- [38] - ZBDN06X
- [39] - ZBDN06ZB
- [40] - ZBRO04ZB



| Pos. | Artikel-Nr. | Menge | Variante | Notes |
|------|-------------|-------|---------------------------------|-------|
| 01 | Z8 51013 | 1 | BOTTOM CAP 55030/55055 | [1] |
| 03 | Z8 51504 | 1 | BEARING 55030 | [1] |
| 05 | Z8 51046 | 1 | IMPELLER MOD.55030/55055 | [1] |
| 07 | Z8 51079 | 1 | IMPELLER MODEL 55030 | [1] |
| 08 | Z8 51725 | 1 | | |
| 09 | Z8 51590 | 1 | | |
| 12 | Z8 51144 | 1 | | |
| 14 | Z8 51739 | 1 | | |
| 16 | Z8 51750 | 1 | | |
| 17 | Z8 51170 | 1 | | |
| 19 | Z8 51331 | 1 | COOLING FAN 55020/55030 | [2] |
| 21 | Z8 51204 | 1 | COVER MOTOR COOLING FAN 3307/6 | [3] |
| 22 | Z8 51280 | 1 | | |
| 23 | Z8 51232 | 1 | | |
| 24 | Z8 51264 | 1 | TERMINAL MOD.55020/55030 | [4] |
| 25 | Z8 51249 | 1 | | [4] |
| 26 | Z8 51760 | 2 | | |
| 27 | Z8 51425 | 2 | SEAL MUFFLER 55020 | [1] |
| 28 | Z8 51394 | 2 | | |
| 29 | Z8 51362 | 2 | Schalldämmung + Mesh55020-30-55 | [5] |
| 30 | Z8 51298 | 2 | | [2] |
| 31 | Z8 51380 | 2 | | |
| 37 | Z8 51541 | 4 | RING MOD.55055-55055W | [1] |
| 50 | Z8 51815 | 1 | | |
| 51 | Z8 51847 | 1 | MOTOR MOD. 55030 COMPLETE | [1] |

Part Notes:

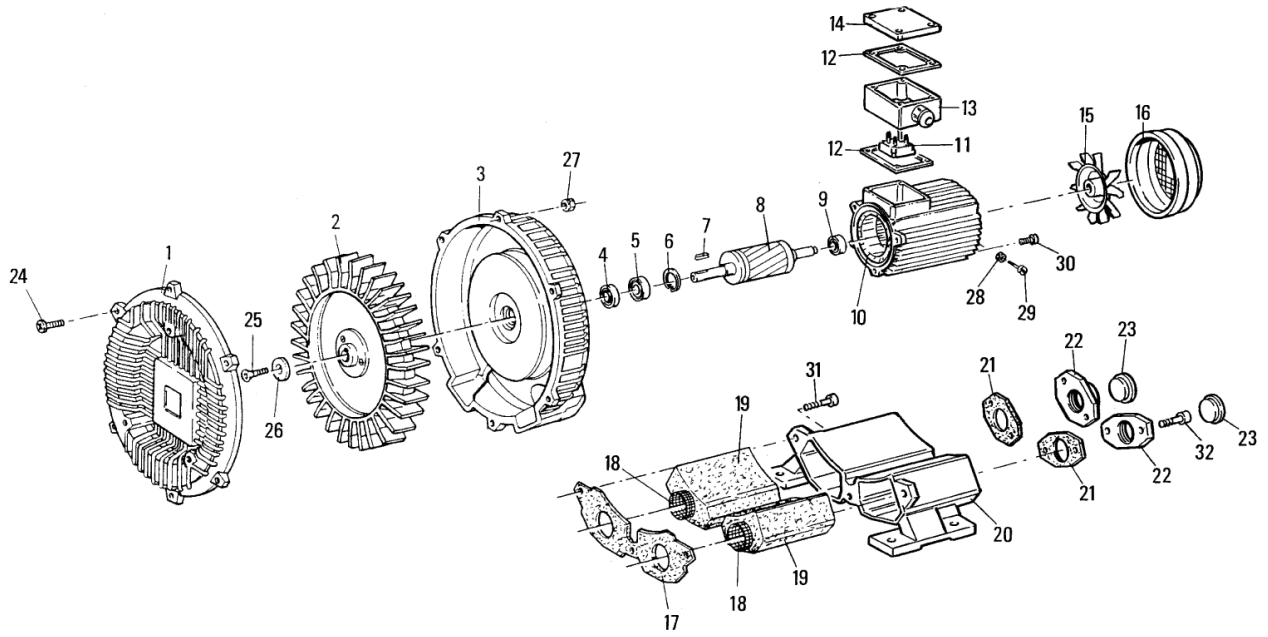
- [1] - ORDER COMPLETE BLOWER
- [2] - CONTACT PM IN ZOCCA
- [3] - CONTACT PROD MANAGEMENT
- [4] - NO MORE AVAILABLE
- [5] - ARTICLE NO MORE SUPPLIED



| Pos. | Artikel-Nr. | Menge | Variante | Notes |
|------|-------------|-------|----------------------------|-------|
| 0- | Z8 51813 | 1 | | |
| 0- | Z8 51845 | 1 | MOTOR COMPL. MOD.55010 | [1] |
| 05 | Z8 51044 | 1 | IMPELLER MOD.55010 HP 1 | [1] |
| 15 | Z8 51460 | 1 | SUPERIOR BEARING MOD.55020 | [1] |
| 22 | Z8 51280 | 1 | | |
| 23 | Z8 51232 | 1 | | |
| 24 | Z8 51264 | 1 | TERMINAL MOD.55020/55030 | [2] |
| 25 | Z8 51249 | 1 | | [2] |
| 26 | Z8 51760 | 2 | | |
| 29 | Z8 51361 | 2 | SOUNDPROOF + MESH 55010 | [1] |
| 37 | Z8 51541 | 3 | RING MOD.55055-55055W | [1] |

Part Notes:

- [1] - ORDER COMPLETE BLOWER
- [2] - NO MORE AVAILABLE



| Pos. | Artikel-Nr. | Menge | Variante | Notes |
|------|--------------|-------|-------------------------------------|-------|
| 01 | Z8 51003 | 1 | BOTTOM CAP MOD.54015 | [1] |
| 02 | Z8 51036 | 1 | IMPELLER MOD.54015 HP 1.5 COMPL. W. | [1] |
| 03 | Z8 51068 | 1 | | |
| 04 | Z8 51579 | 1 | | |
| 05 | Z8 51483 | 1 | | |
| 06 | Z8 51611 | 1 | | |
| 07 | Z8 51515 | 1 | | |
| 08 | Z8 51100 | 1 | | |
| 09 | Z8 51451 | 1 | | |
| 11 | Z8 51258 | 1 | | |
| 15 | Z8 51322 | 1 | COOLING FAN 54004/54010/54015 | [1] |
| 16 | Z8 51194 | 1 | | |
| 17 | Z8 51419 | 1 | | [1] |
| 18 | Z8 51387 | 2 | | |
| 19 | Z8 51356 | 2 | SOUNDPROOF + MESH 54015 | [1] |
| 20 | Z8 51292 | 1 | | [1] |
| 21 | Z8 51437 | 2 | | |
| 22 | Z8 40051 | 1 | FLANGE CEP HP1/1.5 | [2] |
| 23 | Z8 51376 | 2 | | |
| 24 | ZBVTBC0630ZB | 6 | | [3] |
| 25 | ZBVTE0825ZB | 1 | | [4] |
| 26 | Z8 51643 | 1 | | |
| 27 | ZBDN06ZB | 6 | | [5] |
| 28 | ZBDN04ZB | 2 | | [6] |
| 29 | ZBVTBC0412ZB | 2 | | [7] |
| 32 | ZBVTCE0820ZB | 4 | | [8] |

Part Notes:

- [1] - ORDER COMPLETE BLOWER
- [2] - SEE SM-SP-007
- [3] - ZBVTBC0630ZB
- [4] - ZBVTE0825ZB
- [5] - ZBDN06ZB
- [6] - ZBDN04ZB
- [7] - ZBVTBC0412ZB
- [8] - ZBVTCE0820ZB

