

# PARTS LIST

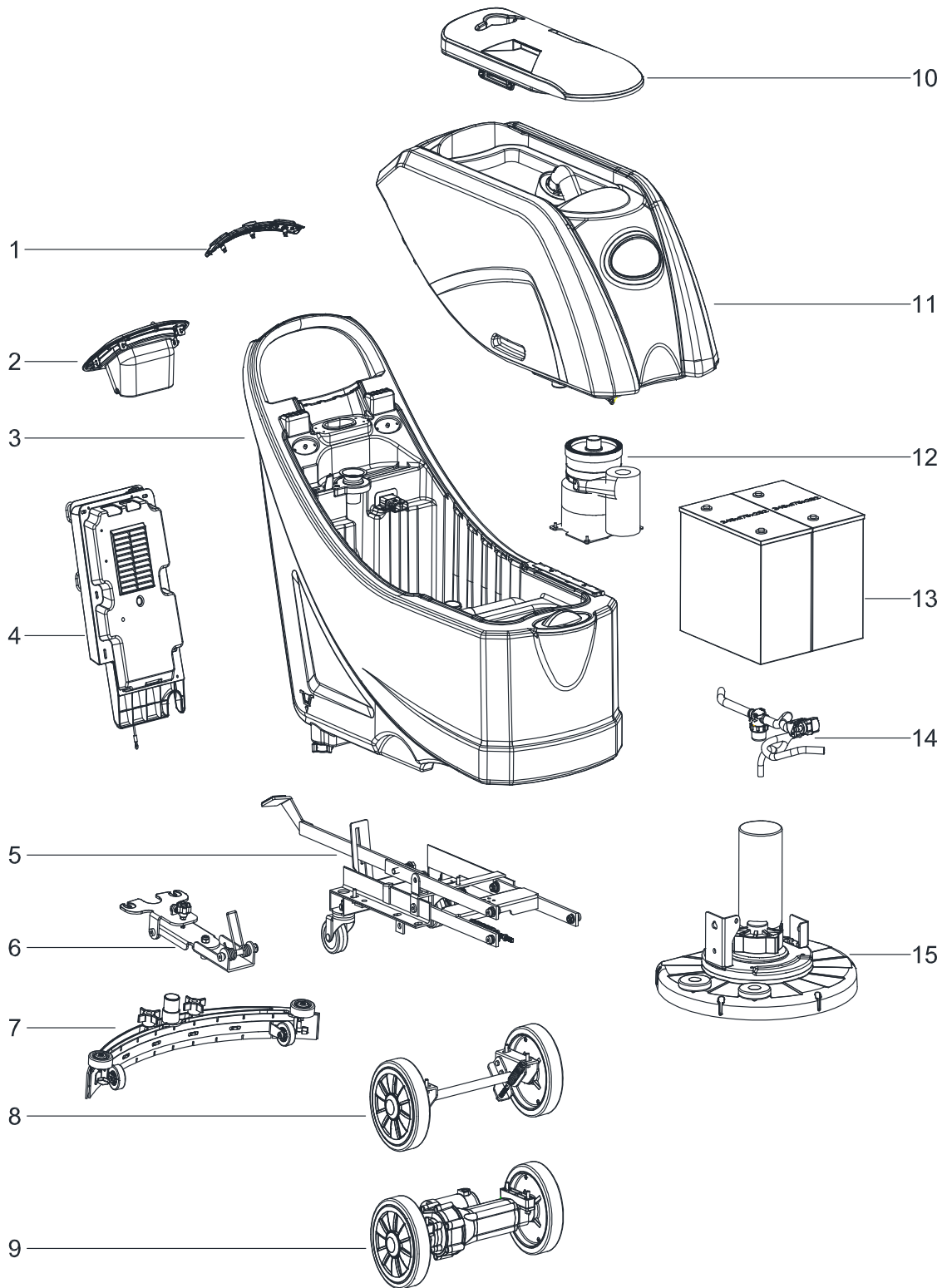


2021.01.29

# TABLE OF CONTENTS

---

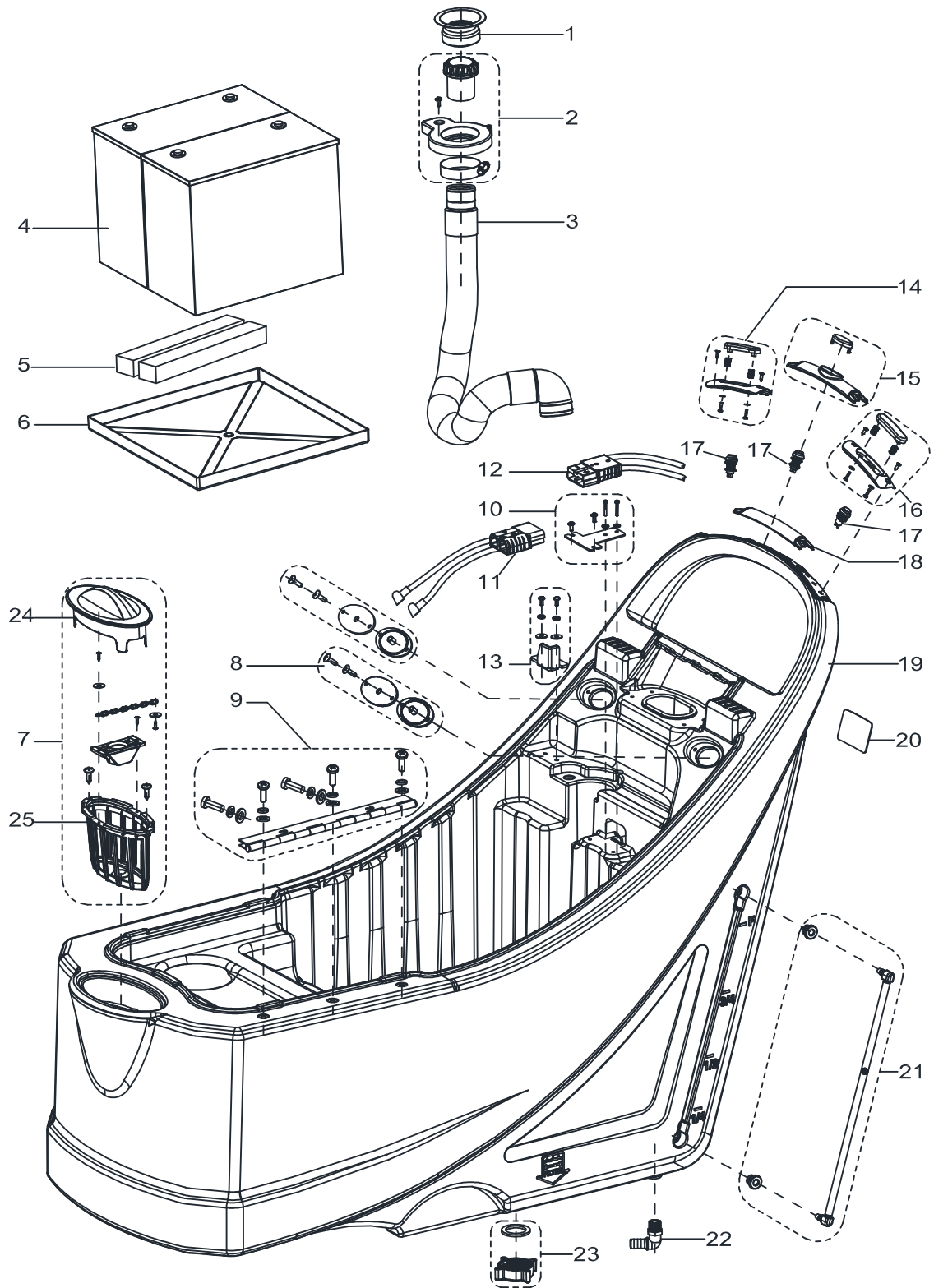
|  |    |
|--|----|
| Overview .....                               | 1  |
| Solution tank .....                          | 3  |
| Recovery tank .....                          | 5  |
| Chassis .....                                | 7  |
| Control system .....                         | 9  |
| Solution system .....                        | 11 |
| Wheels with traction .....                   | 13 |
| Brush .....                                  | 15 |
| Squeegee .....                               | 17 |
| WEAR AND TEAR PARTS .....                    | 19 |
| Wiring diagram (machine with traction) ..... | 21 |



| Pos. | Artikel-Nr. | Menge | Variante                             | Notes |
|------|-------------|-------|--------------------------------------|-------|
| 1    |             | 1     | SAFETY SWITCH ASSEMBLY WITH TRACTION | [1]   |
| 2    |             | 1     | CONTROL PANEL ASSEMBLY               | [2]   |
| 3    |             | 1     | SOLUTION TANK ASSEMBLY               | [1]   |
| 4    |             | 1     | CONTROL BOX ASSEMBLY                 | [2]   |
| 5    |             | 1     | CHASSIS ASSEMBLY                     | [3]   |
| 6    |             | 1     | SQUEEGEE HOLDER ASSEMBLY             | [4]   |
| 7    |             | 1     | 20 INCH SQUEEGEE ASSEMBLY            | [4]   |
| 9    |             | 1     | WHEEL ASSEMBLY WITH TRACTION         | [5]   |
| 10   |             | 1     | RECOVERY TANK LID ASSEMBLY           | [6]   |
| 11   |             | 1     | RECOVERY TANK ASSEMBLY               | [6]   |
| 12   |             | 1     | VACUUM MOTOR ASSEMBLY                | [6]   |
| 13   |             | 1     | BATTERIES                            | [1]   |
| 14   |             | 1     | SOLUTION SYSTEM ASSEMBLY             | [7]   |
| 15   |             | 1     | BRUSH DECK ASSEMBLY                  | [8]   |
|      | VS10003     | 1     | CARTON BOX AS5160                    |       |

Part Notes:

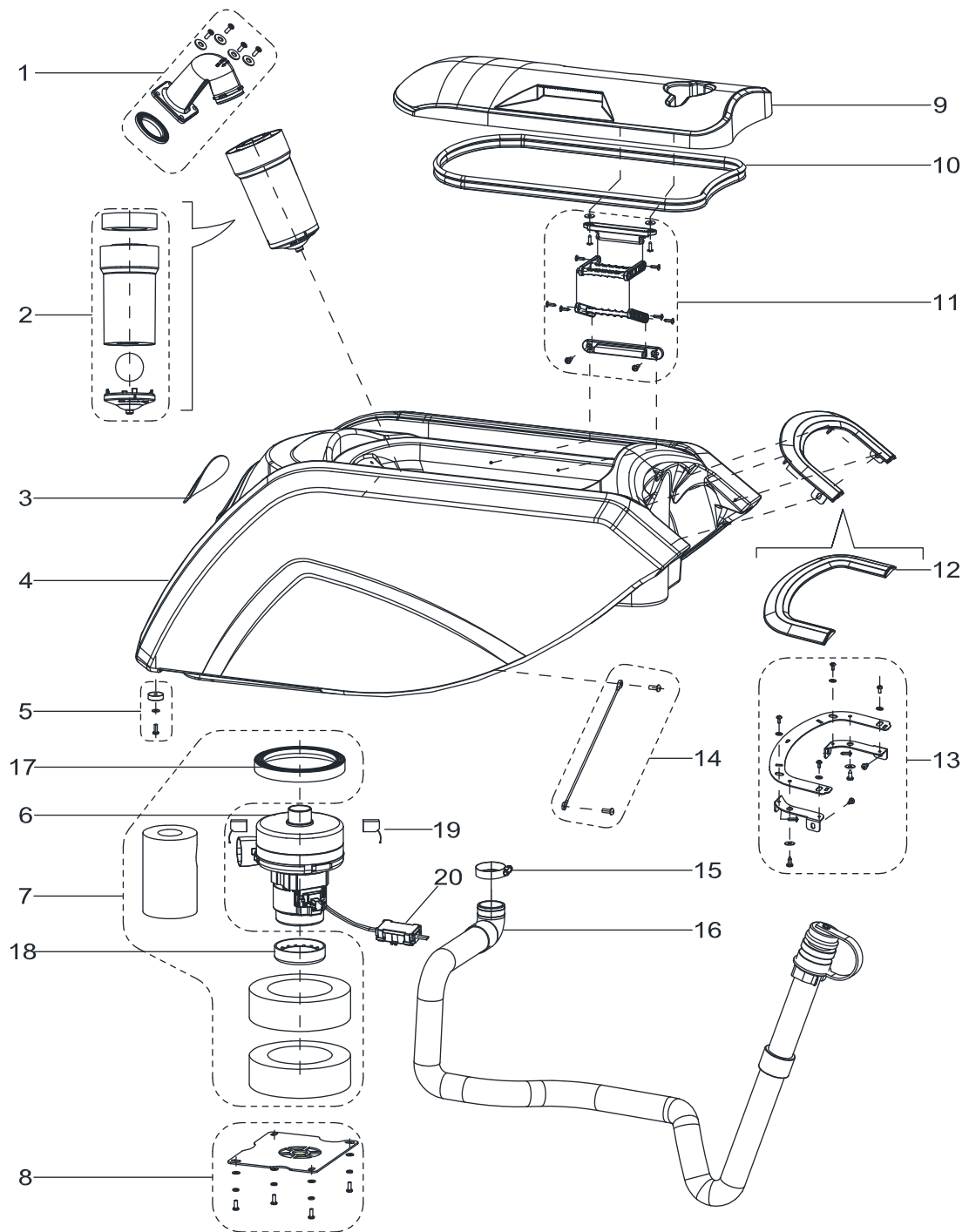
- [1] - Solution tank
- [2] - Control system
- [3] - Chassis
- [4] - Squeegee
- [5] - Wheels with traction
- [6] - Recovery tank
- [7] - Solution system
- [8] - Brush



| Pos. | Artikel-Nr. | Menge | Variante                        | Notes |
|------|-------------|-------|---------------------------------|-------|
| 1    | VS10603     | 1     | GASKET-DRAIN HOSE               |       |
| 2    | VS10101     | 1     | SUCTION CONNECTER FRAME KIT     |       |
| 3    | VS10601     | 1     | SUCTION HOSE                    |       |
| 4    |             | 2     | BATTERY 100-115Ah/20h AGM       |       |
| 5    | VF90533     | 2     | BATTERY SPACER PANEL            |       |
| 6    | VS10329     | 1     | TRAY BATTERY                    |       |
| 7    | VS10102     | 1     | FILTER COVER KIT                |       |
| 8    | VF90265     | 2     | SEAL PLATE KIT                  |       |
| 9    | VS10103     | 1     | HINGE KIT                       |       |
| 10   | VS10104     | 1     | CHARGE PULG BRACKET KIT         |       |
| 11   | VS10206     | 1     | BATTERY CONNECTIONS             |       |
| 12   | VS10207     | 1     | HARNESS CONNECTER WITH TRACTION |       |
| 13   | VS10105     | 1     | FIXED BLOCK KIT                 |       |
| 14   | VS10106     | 1     | SAFETY SWITCH RIGHT KIT         | [1]   |
| 15   | VS11101     | 1     | REVERSE SWITCH KIT              |       |
| 16   | VS10108     | 1     | SAFETY SWITCH LEFT KIT          | [1]   |
| 17   | VS10202     | 3     | SWITCH                          | [1]   |
| 19   | VS10303     | 1     | SOLUTION TANK                   |       |
| 20   |             | 1     | SERIAL NUMBER LABEL             |       |
| 21   | VS10109     | 1     | WATER LEVEL PIPE KIT            |       |
| 22   | VF81403P    | 1     | UNION ELBOW                     |       |
| 23   | VF90536     | 1     | ABDECKUNGSSET WASSERABLAUF      |       |
| 24   | VS10312     | 1     | FILTER COVER                    |       |
| 25   | VS10313     | 1     | FILTER SUPPORT                  |       |

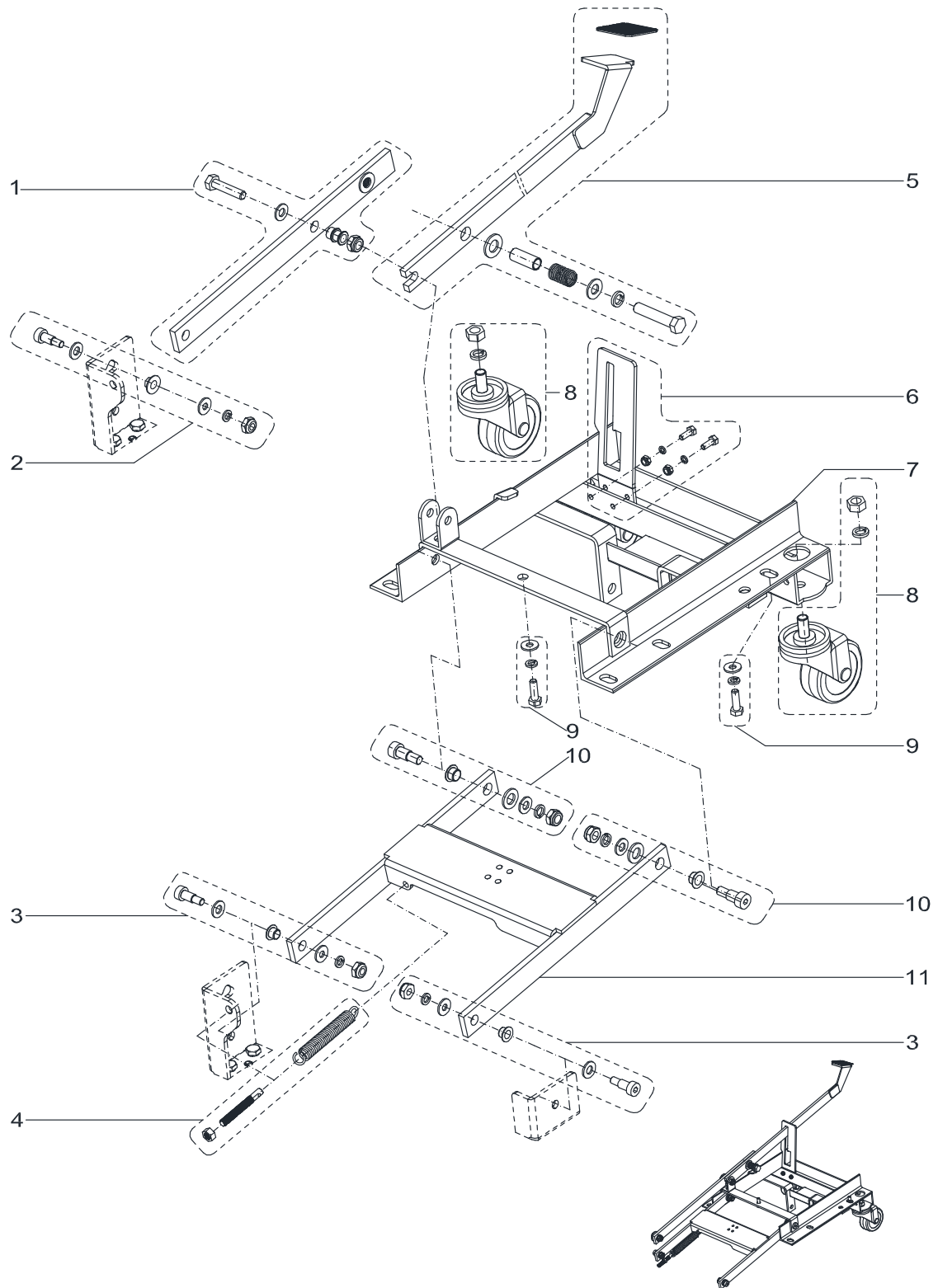
## Part Notes:

[1] - TSB-FC-2019-038 drive switch SC530



| Pos. | Artikel-Nr. | Menge | Variante                       | Notes |
|------|-------------|-------|--------------------------------|-------|
| 1    | VS10110     | 1     | ELBOW ADAPTOR KIT              |       |
| 2    | VF90534     | 1     | FLOAT KIT                      |       |
| 3    | VF90011     | 1     | LOGO LABEL                     |       |
| 4    | VS10302     | 1     | RECOVERY TANK                  |       |
| 5    | VS10111     | 1     | RUBBER GASKET KIT              |       |
| 6    | VF90520     | 1     | VACUUM MOTOR                   |       |
| 7    | VS10112     | 1     | GASKET VACUUM MOTOR KIT        |       |
| 8    | VS10113     | 1     | VACUUM MOTOR COVER KIT         |       |
| 9    | VS10301     | 1     | RECOVERY TANK LID              |       |
| 10   | VF90504     | 1     | Dichtung für Schmutzwassertank |       |
| 11   | VS10114     | 1     | RETAINER-RECOVERY TANK LID     |       |
| 12   | VS10309     | 1     | DECORATIVE PANEL               |       |
| 13   | VS10115     | 1     | DECORATIVE PANEL BRACKET KIT   |       |
| 14   | VS10116     | 1     | RECOVERY TANK CABLE KIT        |       |
| 15   | VA20304     | 1     | CLAMP                          |       |
| 16   | VS10602     | 1     | DRAIN HOSE- DIA.38MM           |       |
| 17   | VA80770     | 1     | GASKET                         |       |
| 18   | VF90523     | 1     | TOP GASKET OF VACUUM MOTOR     |       |
| 19   | VF90522     | 2     | KOHLEBÜRSTE FÜR VAKUUMMOTOR    |       |
| 20   | VR27100     | 1     | WATERPROOF CASE                |       |

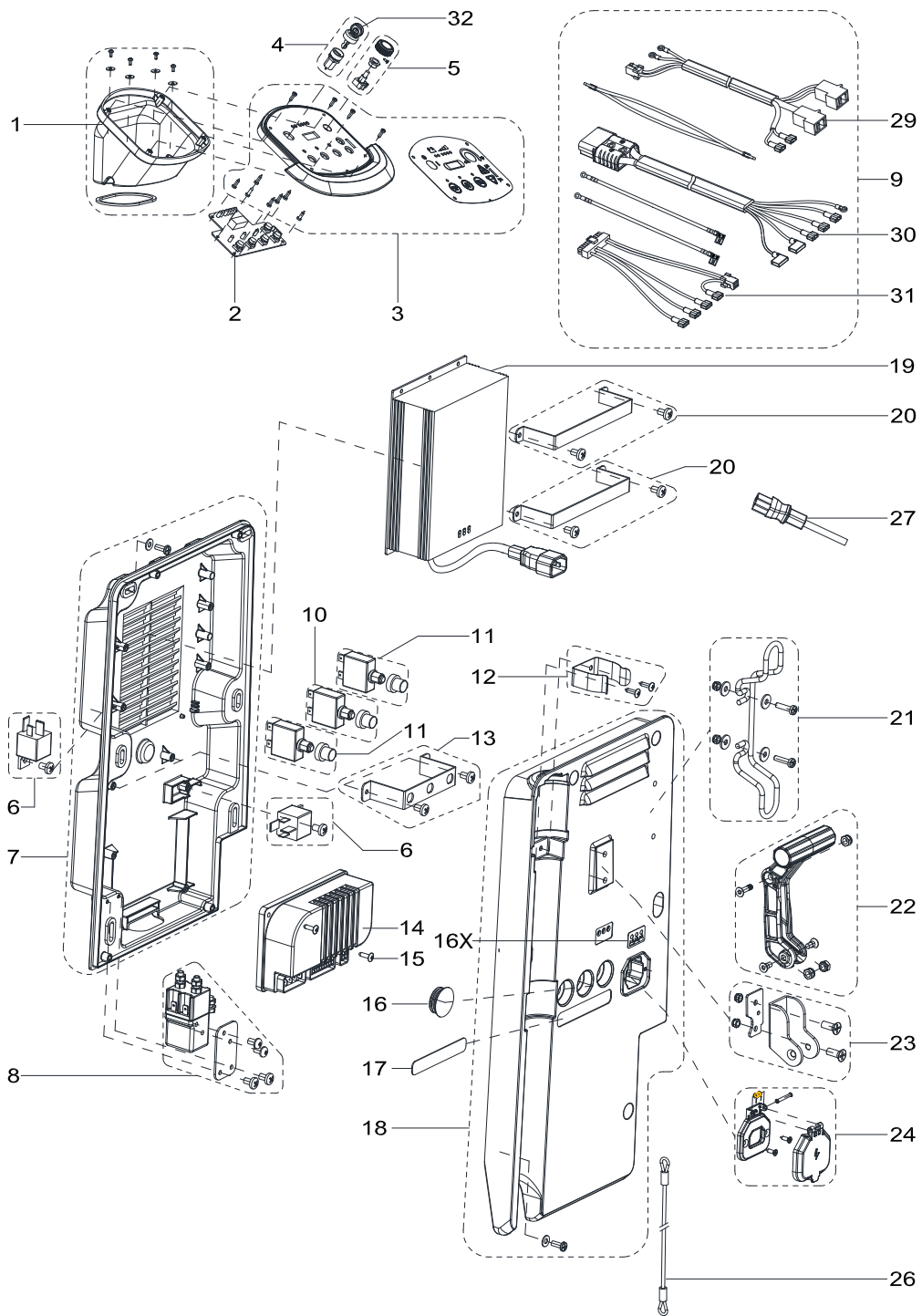




| Pos. | Artikel-Nr. | Menge | Variante                      | Notes |
|------|-------------|-------|-------------------------------|-------|
| 1    | VS10138     | 1     | FORNT PEDAL BRUSH LIFTING KIT |       |
| 2    | VS10134     | 1     | SCREW KIT 1                   |       |
| 3    | VS10136     | 2     | SCREW KIT 3                   |       |
| 4    | VS10139     | 1     | SPRING KIT                    |       |
| 5    | VS10140     | 1     | BACK PEDAL BRUSH LIFTING KIT  |       |
| 6    | VS10141     | 1     | PEDAL SUPPORT KIT             |       |
| 7    | VS10406     | 1     | CHASSIS                       |       |
| 8    | VS13757     | 2     | 3 INCH CASTER KIT             | [1]   |
| 9    | VS10135     | 1     | SCREW KIT 2                   |       |
| 10   | VS10137     | 2     | SCREW KIT 4                   |       |
| 11   | VS10404     | 1     | BRUSH LIFTING SUPPORT         |       |

## Part Notes:

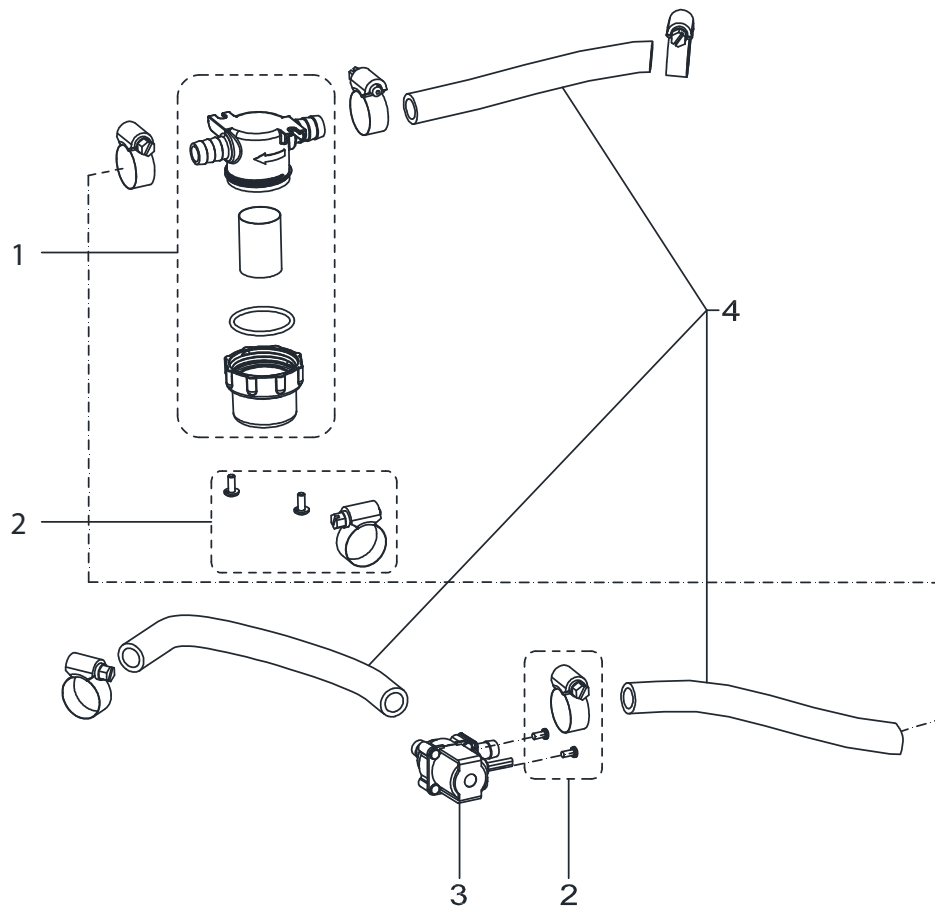
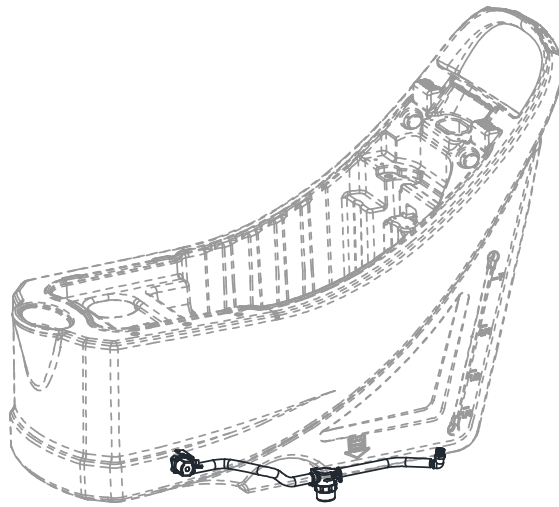
[1] - TSB 2017-005 AS5160 caster improvement



| Pos. | Artikel-Nr.  | Menge | Variante                              | Notes |
|------|--------------|-------|---------------------------------------|-------|
| 1    | VS10117      | 1     | PCB BOX KIT                           |       |
| 2    | VS10250      | 1     | CONTROL PANEL BOARD                   |       |
| 3    | VS11102      | 1     | CONTROL PANEL-TRACTION                |       |
| 4    | 9100001354   | 1     | Schlüsselschalter komplett            |       |
| 5    | VS10120      | 1     | SPEED ADJUSTMENT KNOB KIT             |       |
| 6    | VS10230      | 2     | RELAY 24V KIT                         |       |
| 7    | VS10121      | 1     | CONTROL BOX BOTTOM KIT                |       |
| 8    | VS10231      | 1     | ELECTROMAGNETIC SWITCH KIT            |       |
| 9    | VS11203      | 1     | WIRE HARNESS KIT WITH TRACTION        |       |
| 10   | VS11201      | 1     | CIRCUIT BREAKER KIT WITH TRACTION     |       |
| 11   | VS10232      | 2     | CIRCUIT BREAKER KIT                   |       |
| 12   | VF90275      | 1     | CLAMP DRAIN HOSE KIT                  |       |
| 13   | VS10122      | 1     | FIX BRACKET KIT                       |       |
| 14   | VS10209      | 1     | ELECTRONIC BOARD TRACTION SYSTEM      |       |
| 15   | VA80758      | 2     | SCREW                                 |       |
| 16X  | VF90004      | 1     | LABEL BATTERY LEVEL                   | [1]   |
| 17   | VS11002      | 1     | RESET LABEL WITH TRACTION             |       |
| 18   | VS10124      | 1     | CONTROL BOX COVER KIT                 |       |
| 19   | VS10240      | 1     | BATTERY CHARGER 24V 10A               | [2]   |
| 19   | VR27040      | 1     | CHARGER 24V 10A EU                    |       |
| 19   | VS10243      | 1     | CHARGER 24V 10A CN                    |       |
| 19   | VS13262      | 1     | CHARGER 24V 13A                       |       |
| 20   | VS10125      | 2     | CHARGER FIX BRACKET KIT               |       |
| 21   | VF90280      | 1     | CORD WRAP KIT                         |       |
| 22   | VF90277      | 1     | HANDLE LIFT KIT                       |       |
| 23   | VF90276      | 1     | HAND BRACKET KIT                      |       |
| 24   | VS10126      | 1     | CHARGER SOKET KIT                     |       |
| 26   | VS10502      | 1     | CABLE SQUEEGEE LIFT                   |       |
| 27   | VF89724      | 1     | CHARGING CABLE FOR US 300V 16AWG      |       |
| 27   | VF89725      | 1     | LADEGERÄT NETZKABEL EU-STECKER        |       |
| 27   | VF89726      | 1     | CHARGER POWER CABLE UK PLUG           | [2]   |
| 27   | VF89721      | 1     | CHARGER POWER CABLE CN PLUG           |       |
| 29   | VS10212      | 1     | HARNESS BRUSH MOTER                   |       |
| 30   | VS10207      | 1     | HARNESS CONNECTER WITH TRACTION       |       |
| 31   | VS10208      | 1     | HARNESS CONTROL CIRCUIT WITH TRACTION |       |
| 32   | 146 2887 000 | 1     | Schlüssel (2 Stück)                   |       |

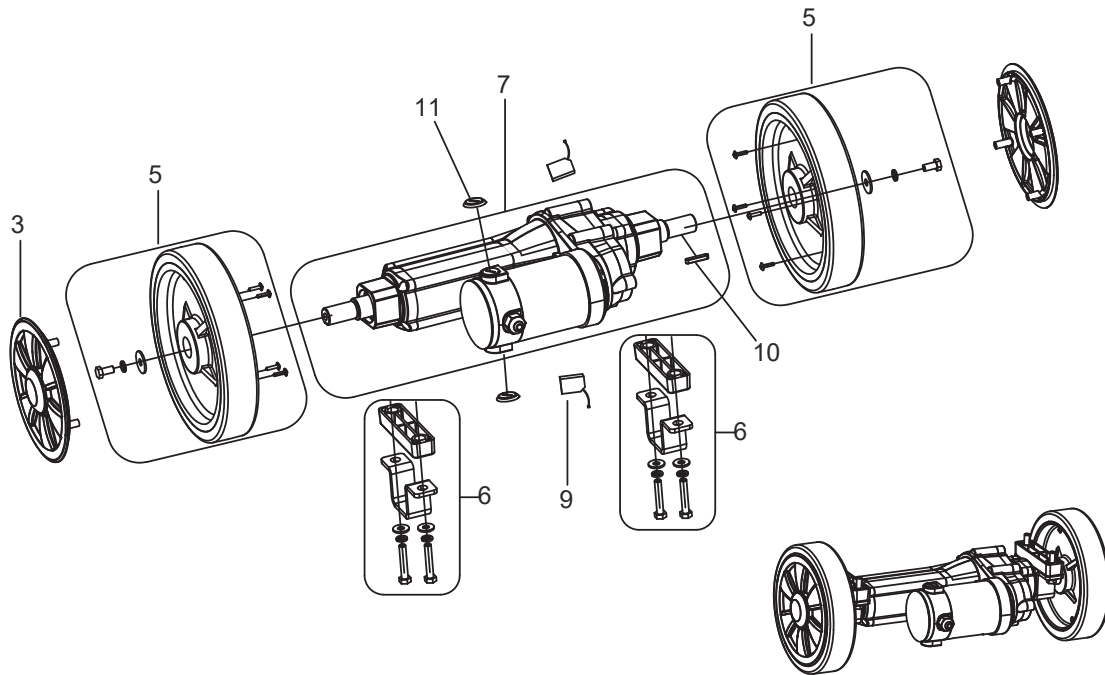
## Part Notes:

- [1] - US  
[2] - Optional



---

| <b>Pos.</b> | <b>Artikel-Nr.</b> | <b>Menge</b> | <b>Variante</b>               | <b>Notes</b> |
|-------------|--------------------|--------------|-------------------------------|--------------|
| 1           | VF90621            | 1            | FILTER KIT                    |              |
| 2           | VS10148            | 1            | SCREW AND CLAMP KIT           |              |
| 3           | VF90282            | 1            | Magnetventil für AS430/510B+C |              |
| 4           | VS10149            | 1            | TUBE KIT 750MM                |              |

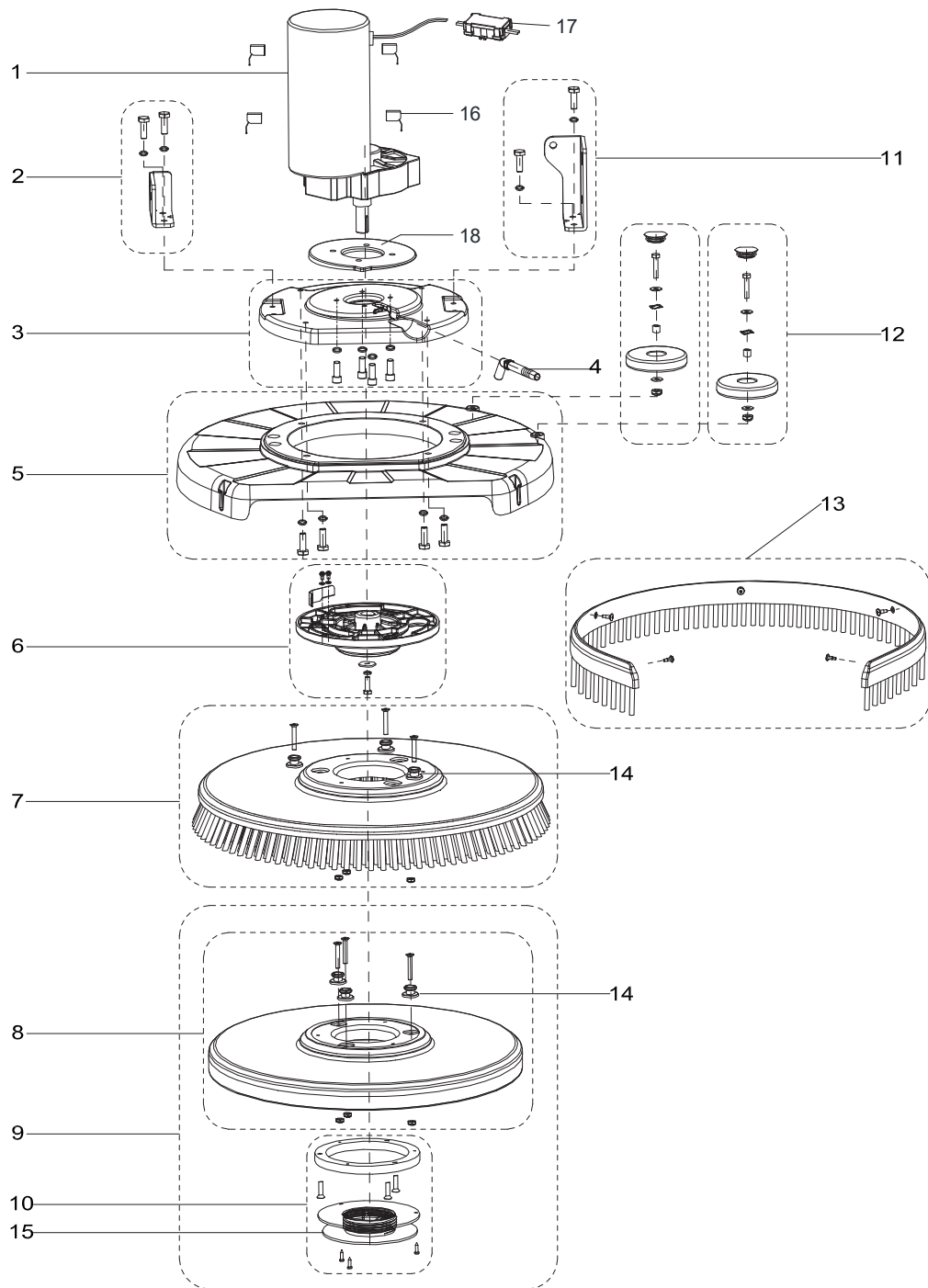


---

| <b>Pos.</b> | <b>Artikel-Nr.</b> | <b>Menge</b> | <b>Variante</b>            | <b>Notes</b> |
|-------------|--------------------|--------------|----------------------------|--------------|
| 3           | VS10330            | 4            | WHEEL-COVER                |              |
| 5           | VS11103            | 2            | 8INCH WHEEL KIT-TRACTION   |              |
| 6           | VS10147            | 2            | TRACTION MOUNT KIT         |              |
| 7           | VS11702            | 1            | MOTOR TRACTION             |              |
| 9           | VS11703            | 2            | CARBON BRUSH KIT           |              |
| 10          | VS11706            | 2            | KEY                        |              |
| 11          | VS11707            | 2            | CARBON BRUSH COVER PLASTIC |              |

---

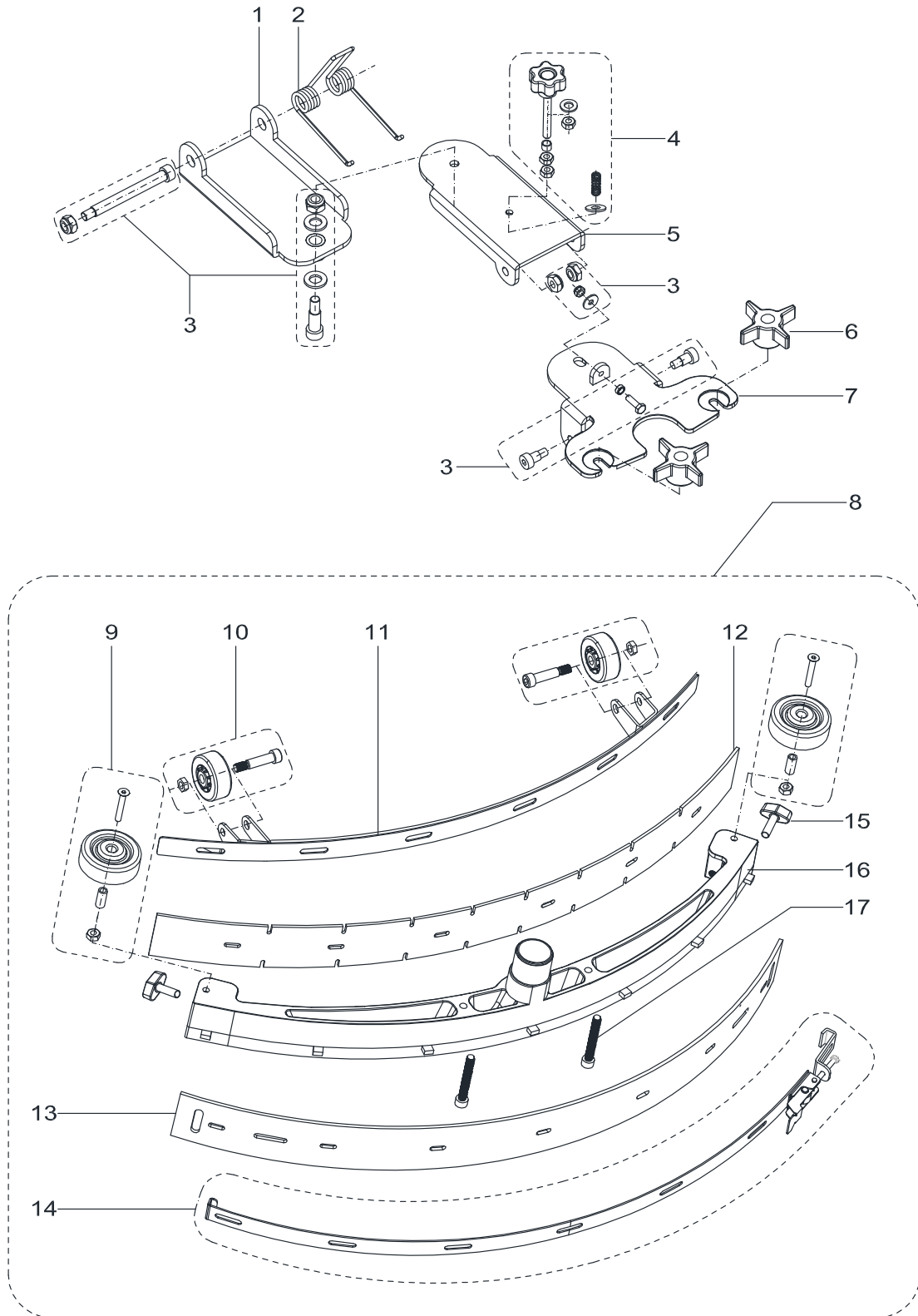




| Pos. | Artikel-Nr. | Menge | Variante                      | Notes |
|------|-------------|-------|-------------------------------|-------|
| 1    | VS10702     | 1     | BRUSH MOTOR KIT               |       |
| 2    | VS10132     | 1     | SHORT CONNECTION PLATE KIT    |       |
| 3    | VS10128     | 1     | MOTOR FIXING PLATE KIT        |       |
| 4    | VS10337     | 1     | ELBOW                         |       |
| 5    | VS10129     | 1     | BRUSH DECK KIT                |       |
| 6    | VS10130     | 1     | PLATE DRIVE KIT               |       |
| 7    | VF90417     | 1     | 20BRUSH                       | [1]   |
| 7    | VF90471     | 1     | 20 INCH BRUSH PPL 0.9         |       |
| 8    | VF90416     | 1     | Pad Halter 20 Zoll            | [2]   |
| 9    | VF90454     | 1     | 20INCH PAD HOLDER             | [2]   |
| 10   | VS10131     | 1     | RETAINER PAD KIT              | [3]   |
| 11   | VS10127     | 1     | LONG CONNECTION PLATE KIT     |       |
| 12   | VS10133     | 2     | BUMPER ROLLER KIT             |       |
| 13   | VS10151     | 1     | SKIRT KIT                     | [3]   |
| 14   | VF90469     | 3     | STUD FOR BRUSH AND PAD DRIVER |       |
| 15   | VF99003A    | 1     | Padhalter                     |       |
| 16   | VF89116     | 4     | KOHLEBÜRSTEN-SET              |       |
| 17   | VR27100     | 1     | WATERPROOF CASE               |       |
| 18   | VS11308     | 1     | BALANCE BLOCK                 | [4]   |

Part Notes:

- [1] - TSB 2017-004 AS430 AS510 AS5160 bouncing and brush hub improvement
- [2] - Optional  
TSB 2017-004 AS430 AS510 AS5160 bouncing and brush hub improvement
- [3] - Optional
- [4] - ONLY FOR DISC MACHINE WITH TRACTION (AS5160T)



| Pos. | Artikel-Nr. | Menge | Variante                              | Notes |
|------|-------------|-------|---------------------------------------|-------|
| 1    | VS10401     | 1     | FRONT SQUEEGEE SUPPORT                |       |
| 2    | VF82172     | 1     | LOCK SPRING                           |       |
| 3    | VS13711     | 1     | HARDWARE SQUEEGEE SUPPORT KIT         |       |
| 4    | VF90141     | 1     | Justierknopf                          |       |
| 5    | VF90110     | 1     | BACK-SQUEEGEE-SUPPORT                 |       |
| 6    | VF81210     | 2     | Flügelmutter                          |       |
| 7    | VF90109     | 1     | SQUEEGEE-SUPPORT                      |       |
| 8    | VF90135     | 1     | 20 SQUEEGEE KIT                       |       |
| 9    | VF90137     | 2     | ROLLER KIT BUMPER                     |       |
| 10   | VF90136     | 2     | SQUEEGEE ROLL WHEEL KIT               |       |
| 11   | VF90118     | 1     | 20INCH STRAP SQUEEGEE FRONT           |       |
| 12   | VF90119     | 1     | 20 BLADE FRONT                        |       |
| 12   | VF90148     | 1     | Sauglippen                            | [1]   |
| 13   | VF90120     | 1     | 20 BLADE REAR                         |       |
| 13   | VF90149     | 1     | Sauglippen                            | [1]   |
| 14   | VF90139     | 1     | 20INCH STRAP SQUEEGEE BACK KIT        |       |
| 15   | VF85420     | 2     | KNOB CT 476/30 S-P-M8X30 BP INOX / SS |       |
| 16   | VF90117     | 1     | SQUEEGEE 20                           |       |
| 17   | VF90127     | 2     | SQUEEGEE SCREW                        |       |

## Part Notes:

[1] - Optional



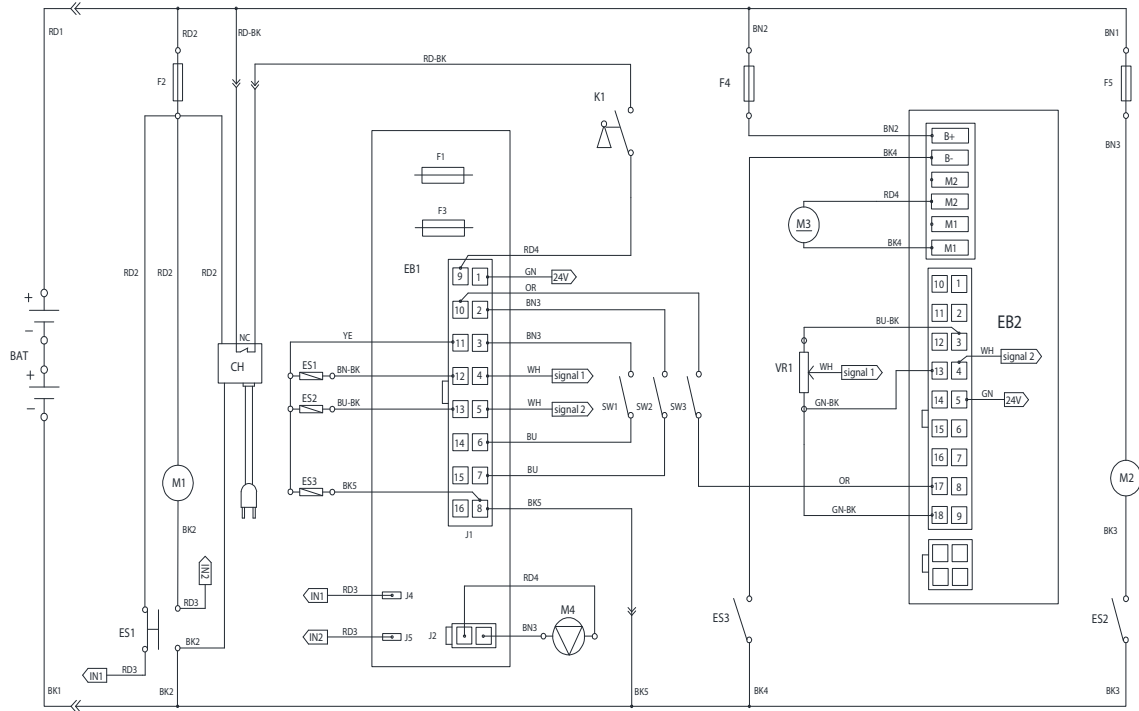
## WEAR AND TEAR PARTS

AS5160T

2013.04.23

2019.08.15

| Pos. | Artikel-Nr. | Menge | Variante                              | Notes |
|------|-------------|-------|---------------------------------------|-------|
| 1    | VS10603     | 1     | GASKET-DRAIN HOSE                     |       |
| 2    | VS10601     | 1     | SUCTION HOSE                          |       |
| 3    | VS10102     | 1     | FILTER COVER KIT                      |       |
| 4    | VS10202     | 3     | SWITCH                                |       |
| 5    | VS10109     | 1     | WATER LEVEL PIPE KIT                  |       |
| 6    | VF90536     | 1     | ABDECKUNGSSET WASSERABLAUF            |       |
| 7    | VS10110     | 1     | ELBOW ADAPTOR KIT                     |       |
| 8    | VF90534     | 1     | FLOAT KIT                             |       |
| 9    | VF90520     | 1     | VACUUM MOTOR                          |       |
| 10   | VF90504     | 1     | Dichtung für Schmutzwassertank        |       |
| 11   | VS10114     | 1     | RETAINER-RECOVERY TANK LID            |       |
| 12   | VS10602     | 1     | DRAIN HOSE- DIA.38MM                  |       |
| 13   | VS10250     | 1     | CONTROL PANEL BOARD                   |       |
| 14   | 9100001354  | 1     | Schlüsselschalter komplett            |       |
| 15   | VS10230     | 2     | RELAY 24V KIT                         |       |
| 16   | VS10231     | 1     | ELECTROMAGNETIC SWITCH KIT            |       |
| 17   | VS11203     | 1     | WIRE HARNESS KIT WITH TRACTION        |       |
| 18   | VS11201     | 1     | CIRCUIT BREAKER KIT WITH TRACTION     |       |
| 19   | VS10232     | 1     | CIRCUIT BREAKER KIT                   |       |
| 20   | VS10209     | 1     | ELECTRONIC BOARD TRACTION SYSTEM      |       |
| 21   | VS10240     | 1     | BATTERY CHARGER 24V 10A               |       |
| 21   | VS10243     | 1     | CHARGER 24V 10A CN                    |       |
| 21   | VR27040     | 1     | CHARGER 24V 10A EU                    |       |
| 23   | VS10502     | 1     | CABLE SQUEEGEE LIFT                   |       |
| 24   | VS13757     | 2     | 3 INCH CASTER KIT                     |       |
| 26   | VS11103     | 2     | 8INCH WHEEL KIT-TRACTION              |       |
| 27   | VS11702     | 1     | MOTOR TRACTION                        |       |
| 28   | VF90621     | 1     | FILTER KIT                            |       |
| 29   | VF90282     | 1     | Magnetventil für AS430/510B+C         |       |
| 30   | VS10702     | 1     | BRUSH MOTOR KIT                       |       |
| 32   | VS10337     | 1     | ELBOW                                 |       |
| 33   | VF90417     | 1     | 20BRUSH                               |       |
| 34   | VF90471     | 1     | 20 INCH BRUSH PPL 0.9                 |       |
| 35   | VF90454     | 1     | 20INCH PAD HOLDER                     |       |
| 36   | VS10133     | 2     | BUMPER ROLLER KIT                     |       |
| 37   | VF90141     | 1     | Justierknopf                          |       |
| 38   | VF81210     | 2     | Flügelmutter                          |       |
| 39   | VF90137     | 2     | ROLLER KIT BUMPER                     |       |
| 40   | VF90136     | 2     | SQUEEGEE ROLL WHEEL KIT               |       |
| 41   | VF90119     | 1     | 20 BLADE FRONT                        |       |
| 42   | VF90120     | 1     | 20 BLADE REAR                         |       |
| 43   | VF85420     | 2     | KNOB CT 476/30 S-P-M8X30 BP INOX / SS |       |



| Pos. | Artikel-Nr.  | Menge | Variante                         | Notes |
|------|--------------|-------|----------------------------------|-------|
| BAT  |              | 1     | 24V BATTERIES                    |       |
| CH   | VR27041      | 1     | CHARGER 24V 10A                  |       |
| EB1  | VS10203      | 1     | CONTROL PANEL BOARD              |       |
| EB2  | VS10209      | 1     | ELECTRONIC BOARD TRACTION SYSTEM |       |
| ES1  | 909 5127 000 | 1     | Relais 24 V                      |       |
| ES2  | VS10201      | 1     | RELAY 24V                        |       |
| ES3  | VS10201      | 1     | RELAY 24V                        |       |
| F1   | VS13208      | 1     | LOW POWER CIRCUIT FUSE           |       |
| F2   | ZD48320      | 1     | SCHUTZSCHALTER 30A               |       |
| F3   | VS13209      | 1     | BRUSH RELEASE FUSE               |       |
| F4   | VF99012      | 1     | Schutzschalter 12A               |       |
| F5   | ZD48320      | 1     | SCHUTZSCHALTER 30A               | [1]   |
| K1   | 9100001354   | 1     | Schlüsselschalter komplett       |       |
| M1   | VS10702      | 1     | BRUSH MOTOR KIT                  |       |
| M2   | VF90520      | 1     | VACUUM MOTOR                     |       |
| M3   | VS11702      | 1     | MOTOR TRACTION                   |       |
| EV   | VF90282      | 1     | Magnetventil für AS430/510B+C    |       |
| SW1  | VS10202      | 1     | SWITCH                           | [2]   |
| SW2  | VS10202      | 1     | SWITCH                           | [2]   |
| SW3  | VS10202      | 1     | SWITCH                           | [2]   |
| VR1  | VS10213      | 1     | POTENTIOMETER                    |       |

## Part Notes:

- [1] - TSB-FC-2019-025 brush circuit breaker  
 [2] - TSB-FC-2019-038 drive switch SC530  
 DE TSB-FC-2019-038 SC530 Fahrschalter



