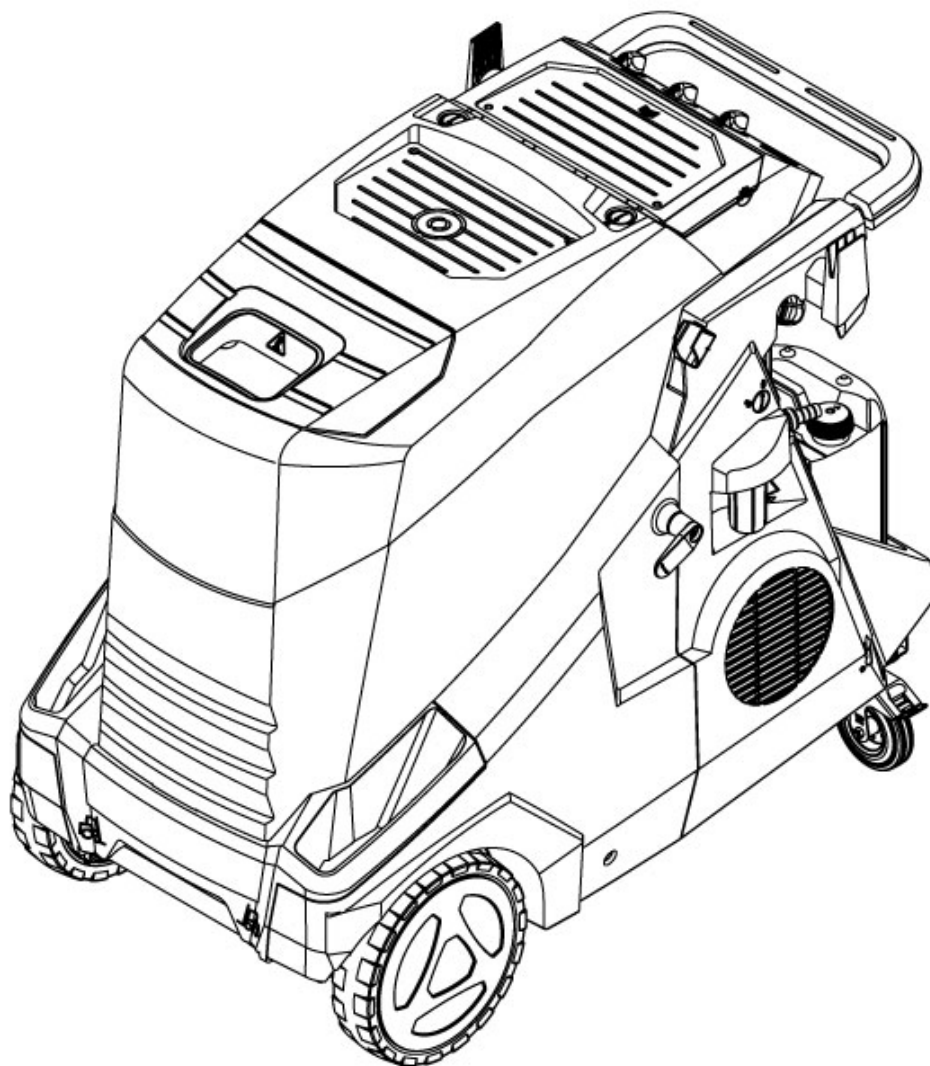


PARTS LIST



2018.11.28

 **Nilfisk**[®]

 07351-5758060

kontakt@nilfisk-alto-shop.com



 **Heine**
Vertriebs-GmbH

Preisabfrage bzw. Bestellungen der Artikel im Shop unter

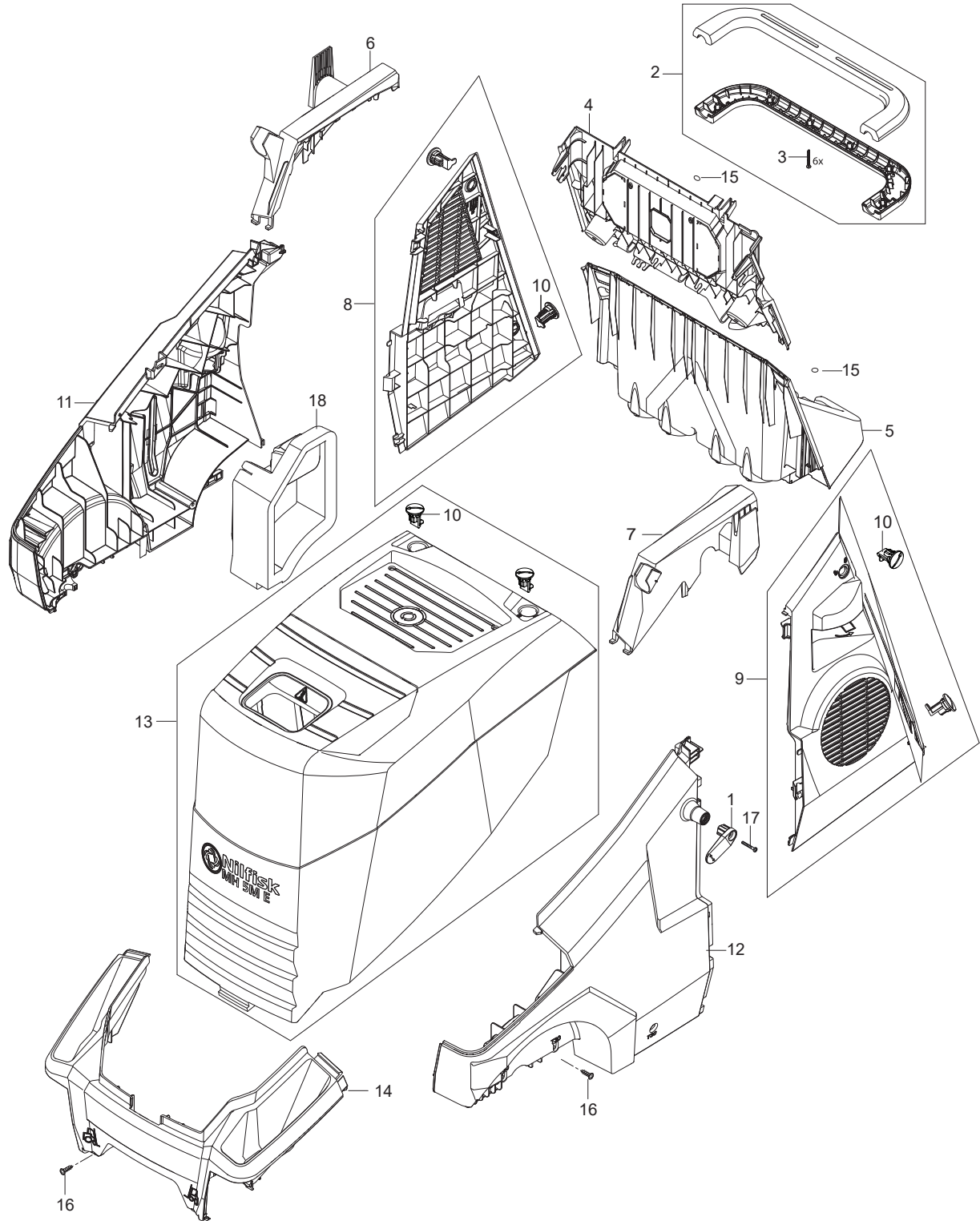
www.nilfisk-alto-shop.com

einfach die Artikelnummer in die Suchmaske eingeben

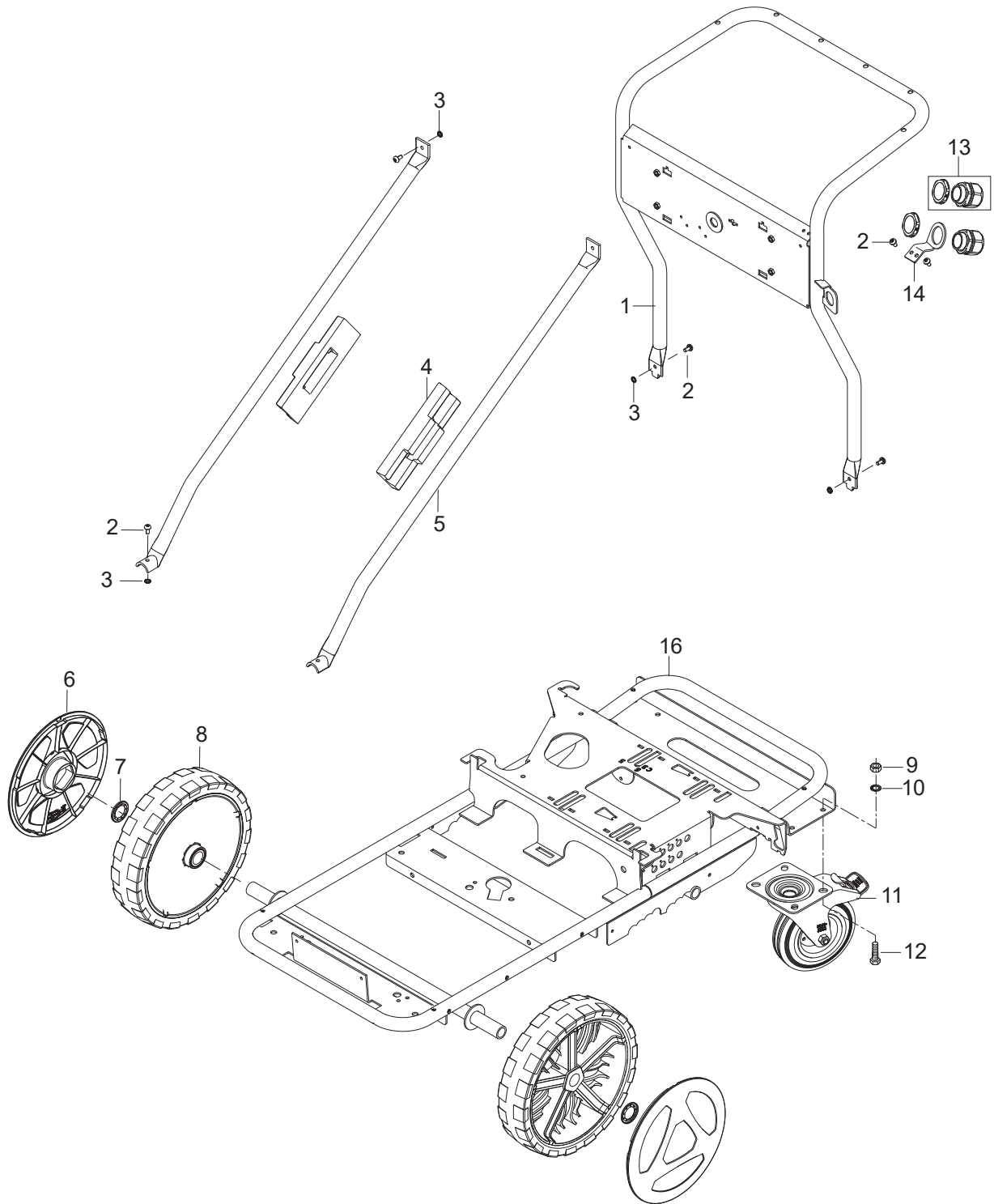
(Bitte die Artikelnummer ohne Leerzeichen eingeben)

TABLE OF CONTENTS

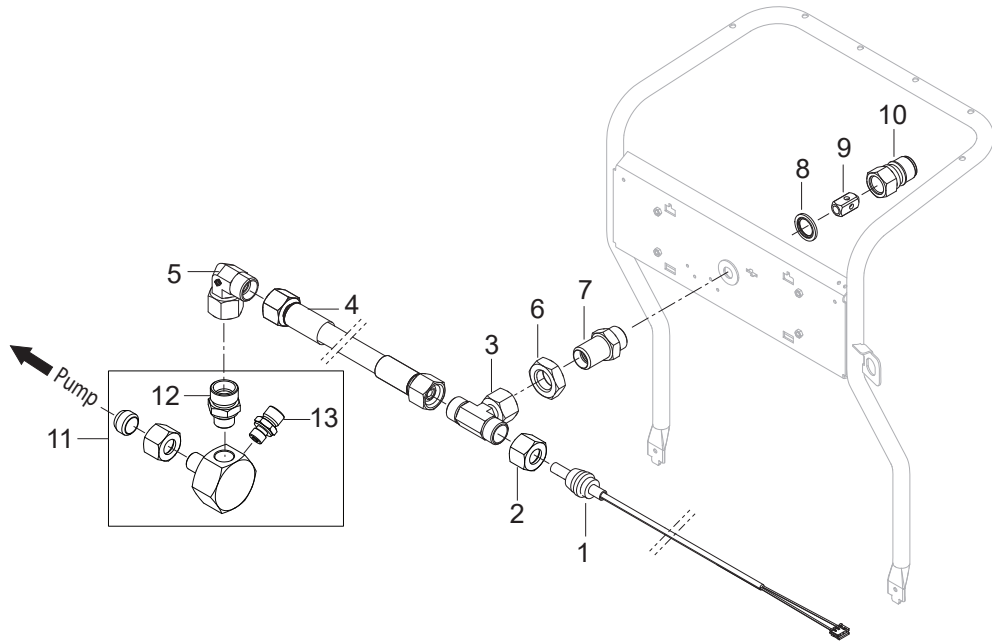
Cabinet.....	1
Chassis.....	3
Water outlet.....	5
Water inlet_PA.....	7
1x detergent.....	9
Anti-scale.....	11
Cables and wires.....	13
Electric box.....	15
Electric box for motor.....	17
Motor pump.....	19
Cylinder block.....	21
Unloader_PA.....	23
Mixer valve.....	25
Heating tank.....	27
Electric box on heating tank.....	29



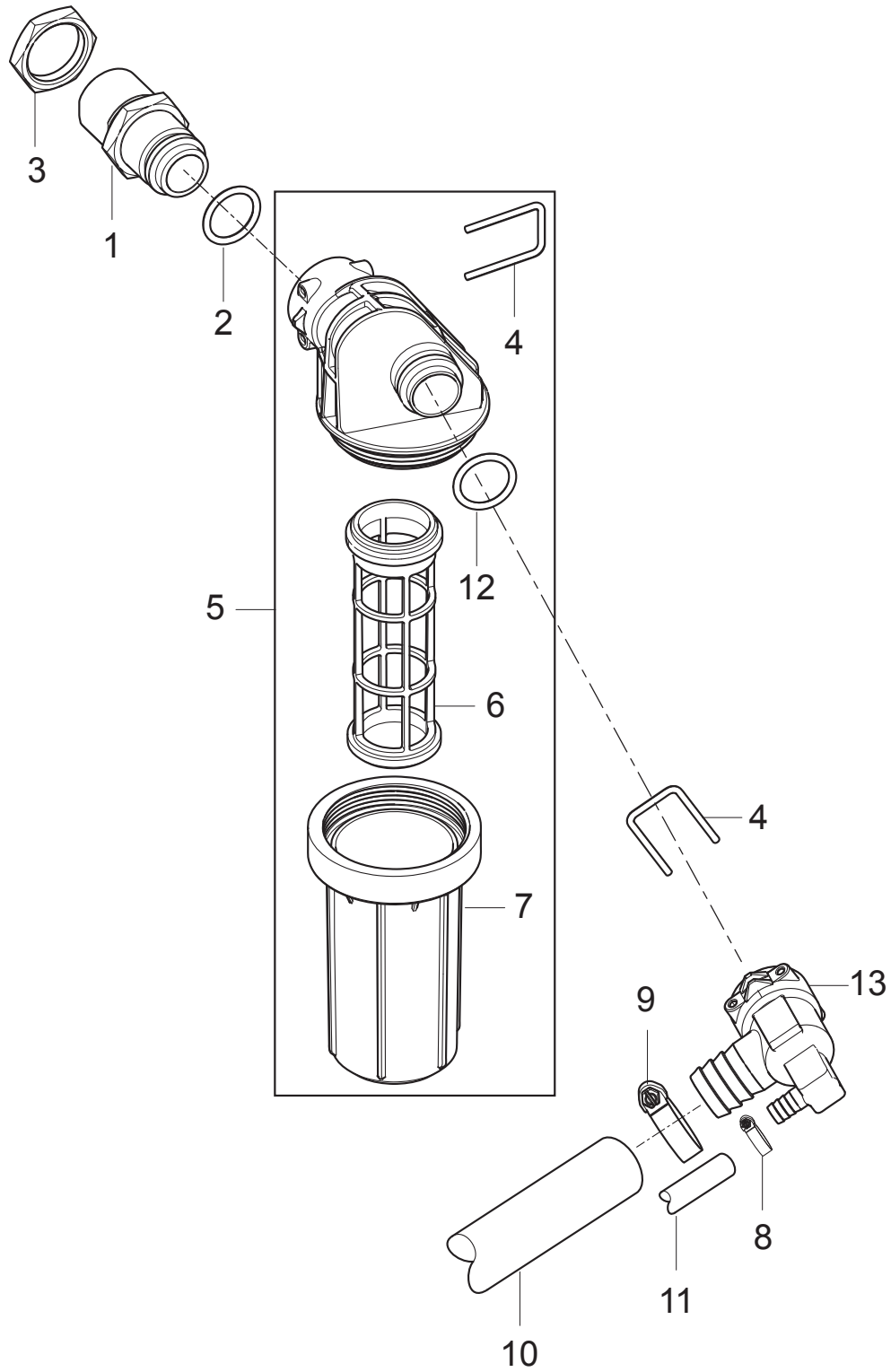
Pos.	Artikel-Nr.	Menge	Variante	Notes
1	107143025	1	CABLE HOOK CLAMP BLUE	
2	101118192	1	HANDLE KIT	
3	909100148	6	Ejotschraube K40x30 WN 14	
4	107143205	1	REAR END TOP	
5	107143014	1	REAR END BOTTOM	
6	107143021	1	COVERING FOR HANDLE RIGHT	
7	107143022	1	COVERING FOR HANDLE LEFT	
8	101118223	1	DOOR MPU C3 RIGHT	
9	107143019	1	DOOR LEFT W/LOCKS	
10	301001261	6	Verriegelung	
11	107143130	1	SIDE BUMPER LARGE RIGHT	
12	107143131	1	SIDE BUMPER LARGE LEFT	
13	101118224	1	CABINET MH E	
14	107143015	1	FRONT BUMPER	
15	107143009	6	BLIND PLUG D16.5 FOR T30 BLACK PE	
16	107143018	12	SCREW M6X16	
17	107141838	7	SCHRAUBE K50X18 WN1451 SCHWARZ TORX 20	
18	107143201	1	ISOLATION RIGHT	



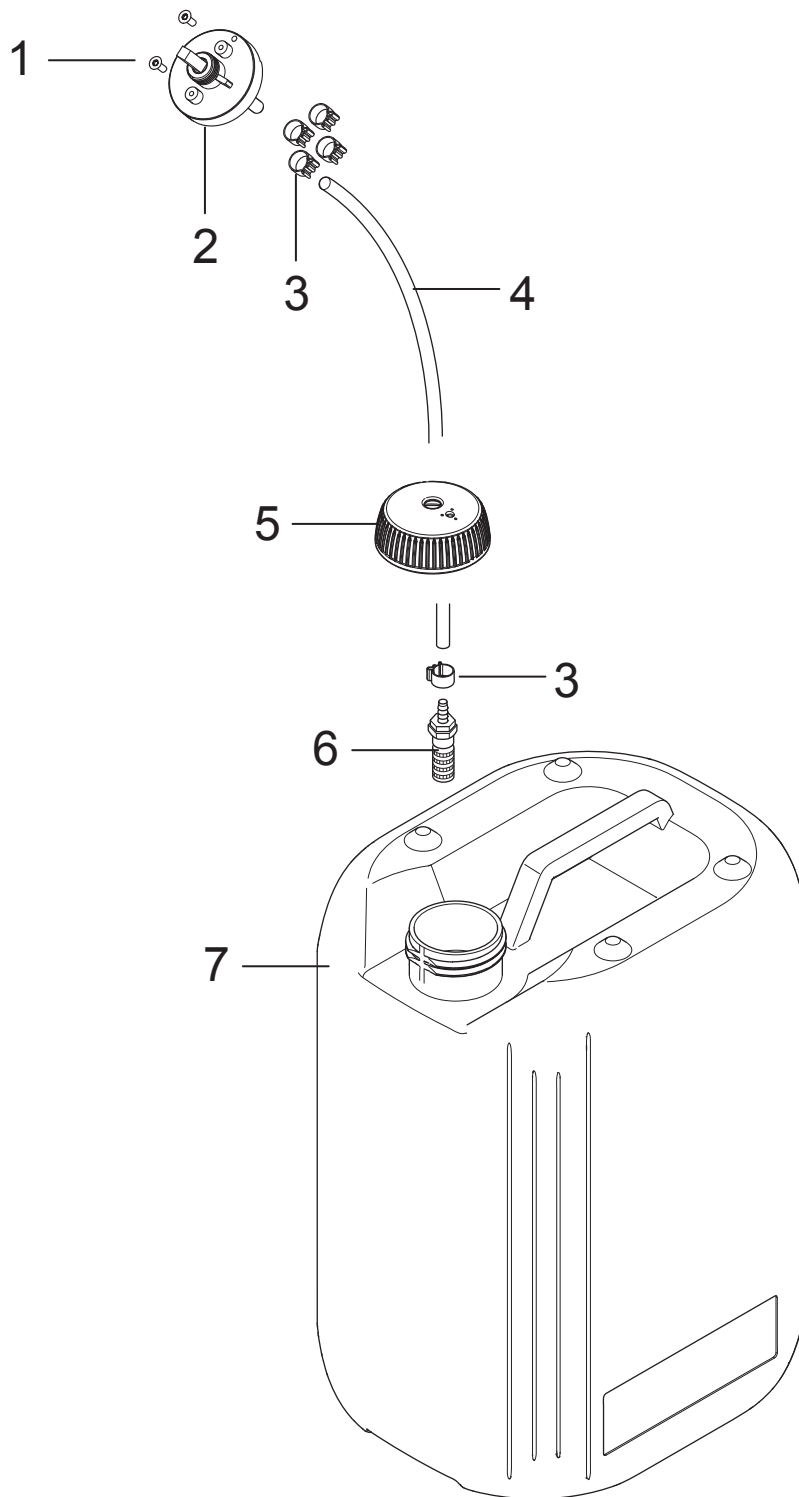
Pos.	Artikel-Nr.	Menge	Variante	Notes
1	ny - mette	1		
2	107143018	8	SCREW M6X16	
3	107143146	6	WASHER SERRATED M6	
4	107143202	2	ISOLATION HANDLE STIFFENER	
5	31001158	2	HANDLE STIFFENER LONG	
6	107145780	2	RADKAPPE FUER RAD Ø300X65	
7	46363	2	Klemmscheibe	
8	107145637	2	WHEEL D300X65	
9	1800515	8	Sicherungsmutter M8	
10	1800796	16	Scheibe 8,4	
11	107141607	2	WHEEL W. BRAKE D125	
12	2753	8	Sechskantschraube M8x 20 ISO 4017 zn	
13	107143203	E24	CABLE GLAND M32 14-25MM BLACK	
	107143207	E12	CABLE GLAND M32 11-21MM BLACK	
15	107143204	1	BRACKET FOR CABLE	
16	ny - mette	1		



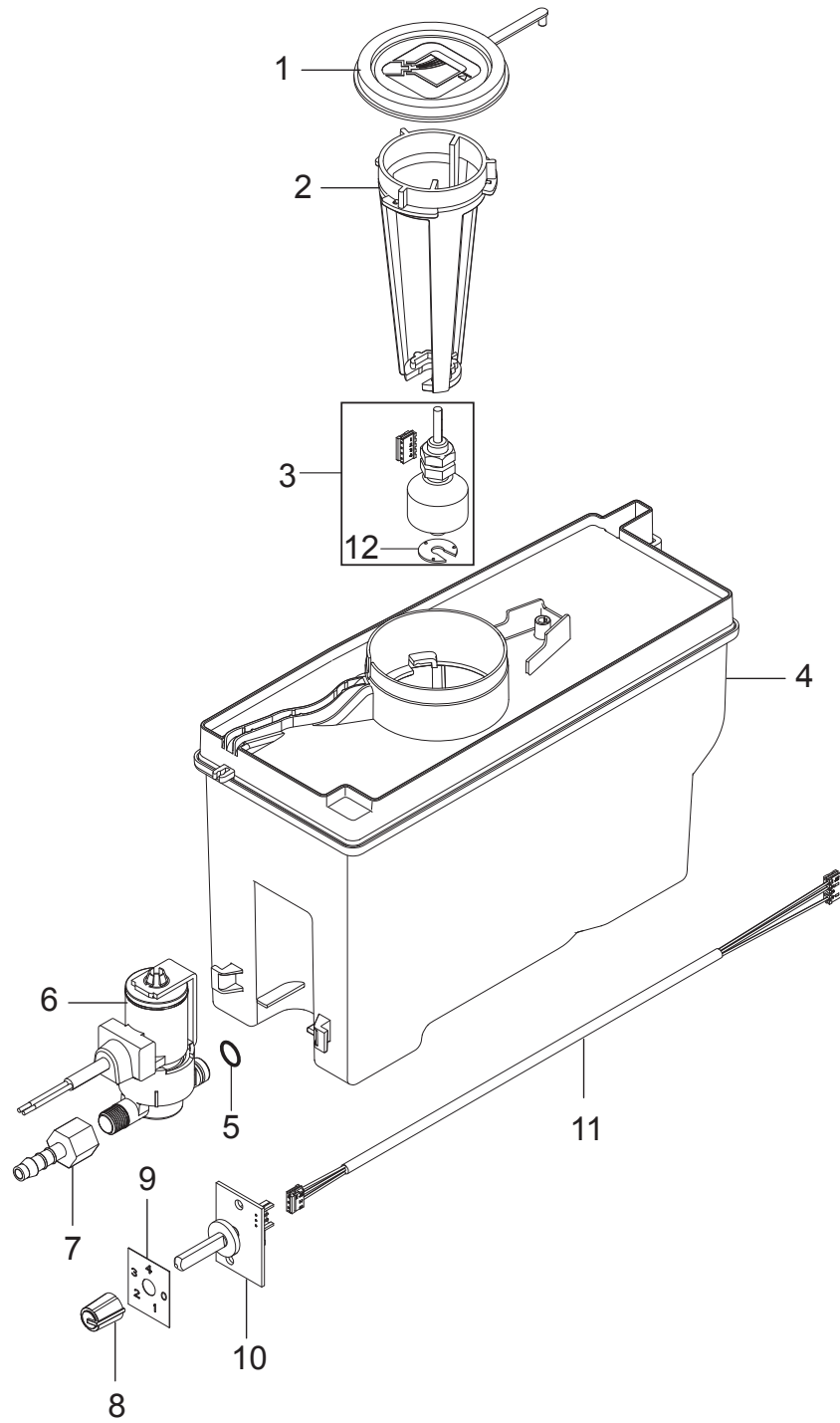
Pos.	Artikel-Nr.	Menge	Variante	Notes
1	107143083	1	TEMPERATUR SENSOR PT100 W/CABLE	
2	1081	1	Überwurfmutter DIN 3870-A L 12 St/zn	
3	101118093	1	Verbindungsstück	
4	101405731	1	HD-Schlauch 10x500 150GradC	
5	101118094	1	Kupplungssatz 90D ISO	
6	1803220	1	Mutter M18x1,5 I	
7	107143082	1	OUTLET FITTING	
8	1801075	1	Dichtring	
9	107143066	1	PISTON	
10	1600493	1	Anschlussstück	
11	107140927	1	Verteiler	
12	3938	1	Anschlussstück	
13	1821	1	Verbindungsstück	



Pos.	Artikel-Nr.	Menge	Variante	Notes
1	107143086	1	FITTING FOR WATER INLET	
2	107143088	2	O-RING 18.72X2.62	
3	1800341	1	Gegenmutter 3/4	
4	107143085	2	LOCK PIN	
5	107144272	1	FILTER CPL. MH 5000MM2 50µ ACCESSORY	
6	31001100	1	FILTER CARTRIDGE WITHOUT FLANGE	
7	31001011	1	Glas für Wasserfilter	
8	11654	1	Schlauchklemme 11,5	
9	8298	1	Schlauchschele SGL 16-27	
10	107143031	1	FUELFLEX HOSE D28/D20 10BAR/20°	
11	106408243	1	HOSE 1/4INCH TRANSPARENT - 5 METERS	
12	107143088	1	O-RING 18.72X2.62	
13	107143089	1	WATER INLET FITTING FOR PA	



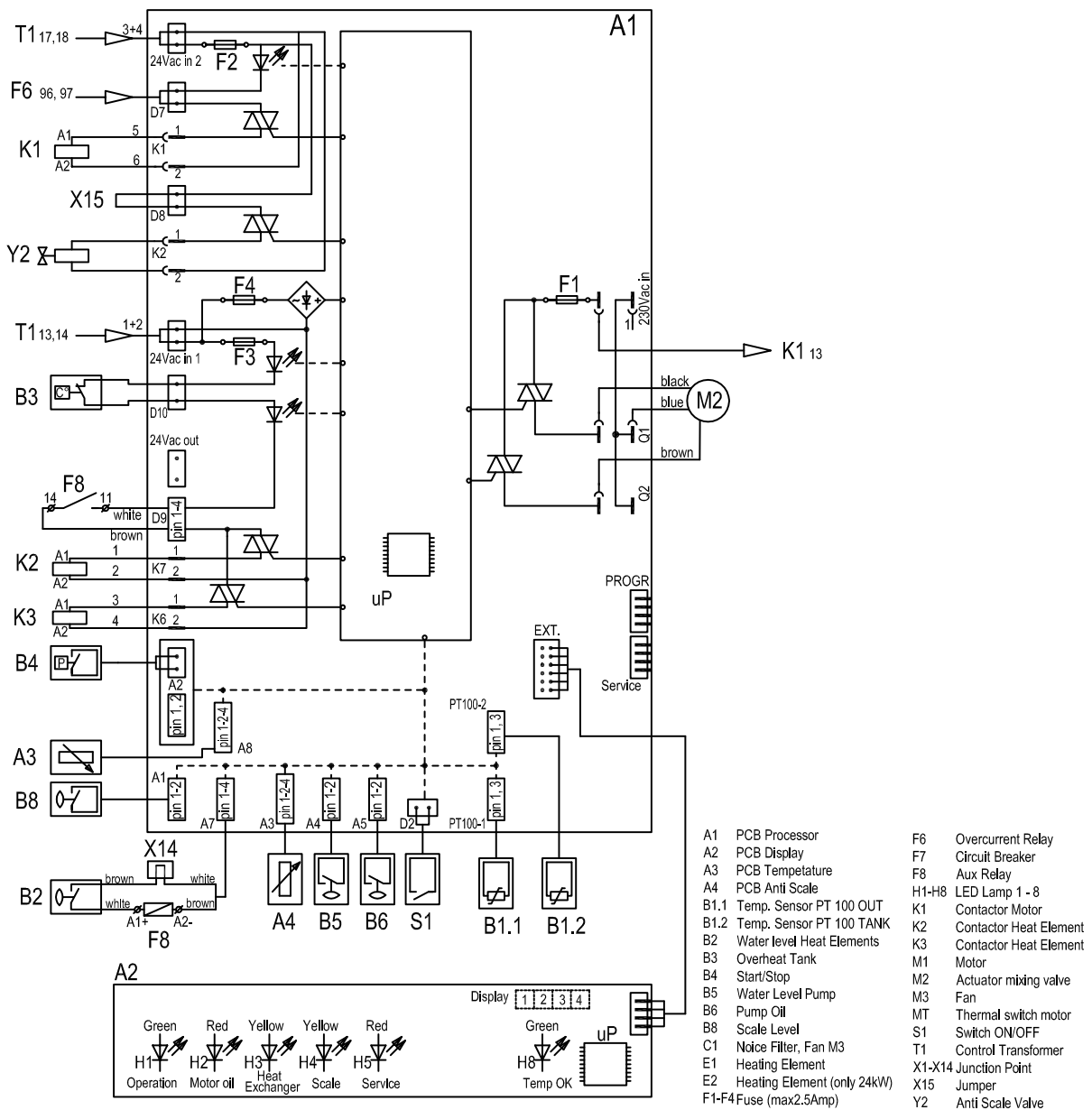
Pos.	Artikel-Nr.	Menge	Variante	Notes
1	1814730	2	Schraube 3,5x10	
2	301001000	1	Ventil	
3	301001133	8	Schlauchklemme 10/7	
4	106408243	1	HOSE 1/4INCH TRANSPARENT - 5 METERS	
5	107141664	2	Deckel	
6	107145440	2	Sieb Ventil Komplettsset	
7	80518	1	Behälter	



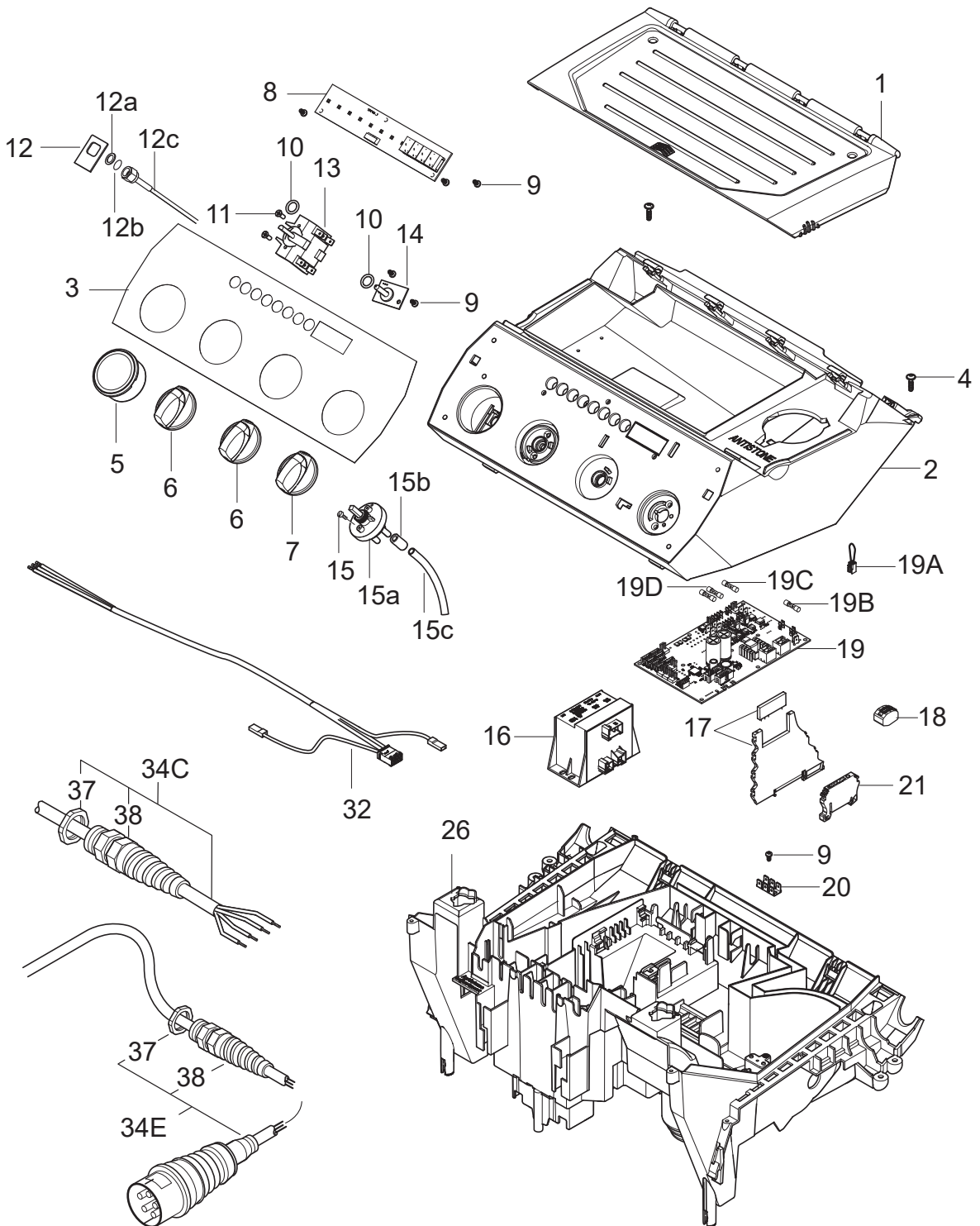
Pos.	Artikel-Nr.	Menge	Variante	Notes
1	45646	1	Deckel	
2	107143040	1	LEVELSENSOR BRACKET FOR ANTISCALE	
3	101118214	1	FLOAT SWITCH KIT	
4	107143041	1	ANTISCALE TANK CPL.	
5	31001036	1	O-RING 6X2 NBR 70SH	
6	107143037	1	DOSING VALVE RPE 24VAC	
7	107143036	1	HOSE FITTING D6X1/8 PA	
8	107318222	1	PUSH-ON KNOB 11MM/6MMD/WH	
9	107143042	1	LABEL FOR ANTISCALE	
10	101117730	1	PCB FOR POTENTIOMETER	
11	107143038	1	CABLE FOR ADJUSTMENT ANTI SCALE	
12	107142593	1	HOLDING WASHER PE	[1]

Part Notes:

- [1] - TSB-PPW-2016-017 Locking ring for oil level switch falling off



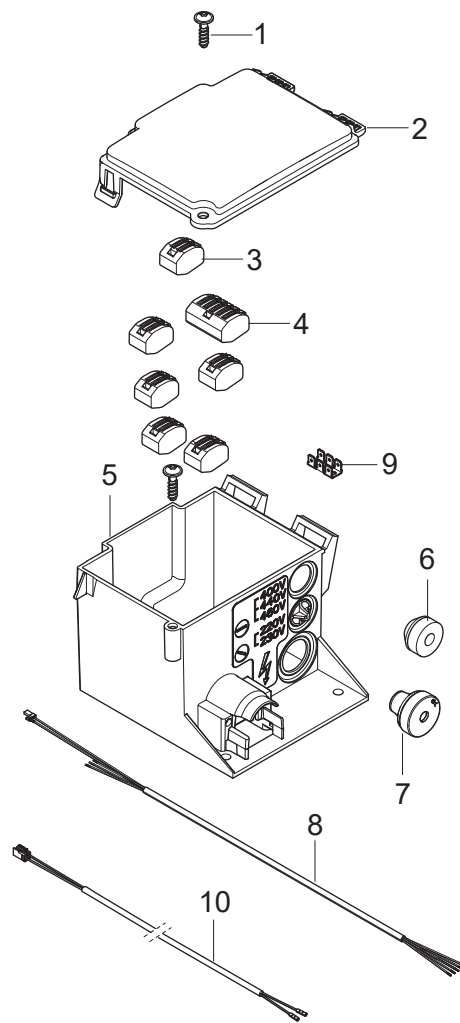
Pos.	Artikel-Nr.	Menge	Variante	Notes
T1	107143052		CABLE FOR POWER TRANSFORMER SEC 6X0.75	
F6	107143211		CABLE FOR CONTACTORS 9G0.75MM2	
K1	107143212		CABLE FOR 230V E-BOX1 TO E-BOX2	
X15	101221031	1	Jumper f. Servicerückstellung	
Y2	107143037	1	DOSING VALVE RPE 24VAC	
B3	107143213	1	TEMPERATURE LIMITER 85°C	
K2	107143211	1	CABLE FOR CONTACTORS 9G0.75MM2	
K3	107143211	1	CABLE FOR CONTACTORS 9G0.75MM2	
B4	101118188	1	MICRO-SWITCH KIT	
A3	107143043	1	CABLE FOR TEMPERATURE ADJUSTMENT	
B8	101118214	1	FLOAT SWITCH KIT	
F8+B2	107143235	1	CABLE FOR LEVEL SENSOR	
A4	107143038	1	CABLE FOR ADJUSTMENT ANTI SCALE	
B6	101118173	1	OIL SENSOR W/PLUG KIT	
S1	107143055	1	CABLE FOR HOT WATER MODE AND EXH. SWITCH	
B1.1	107143214	1	TEMPERATURE SENSOR PT100	
B1.2	107143083	1	TEMPERATUR SENSOR PT100 W/CABLE	
A2	107143053	1	CABLE FOR UI	
M2	107143215	1	ACTUATOR DANFOSS	



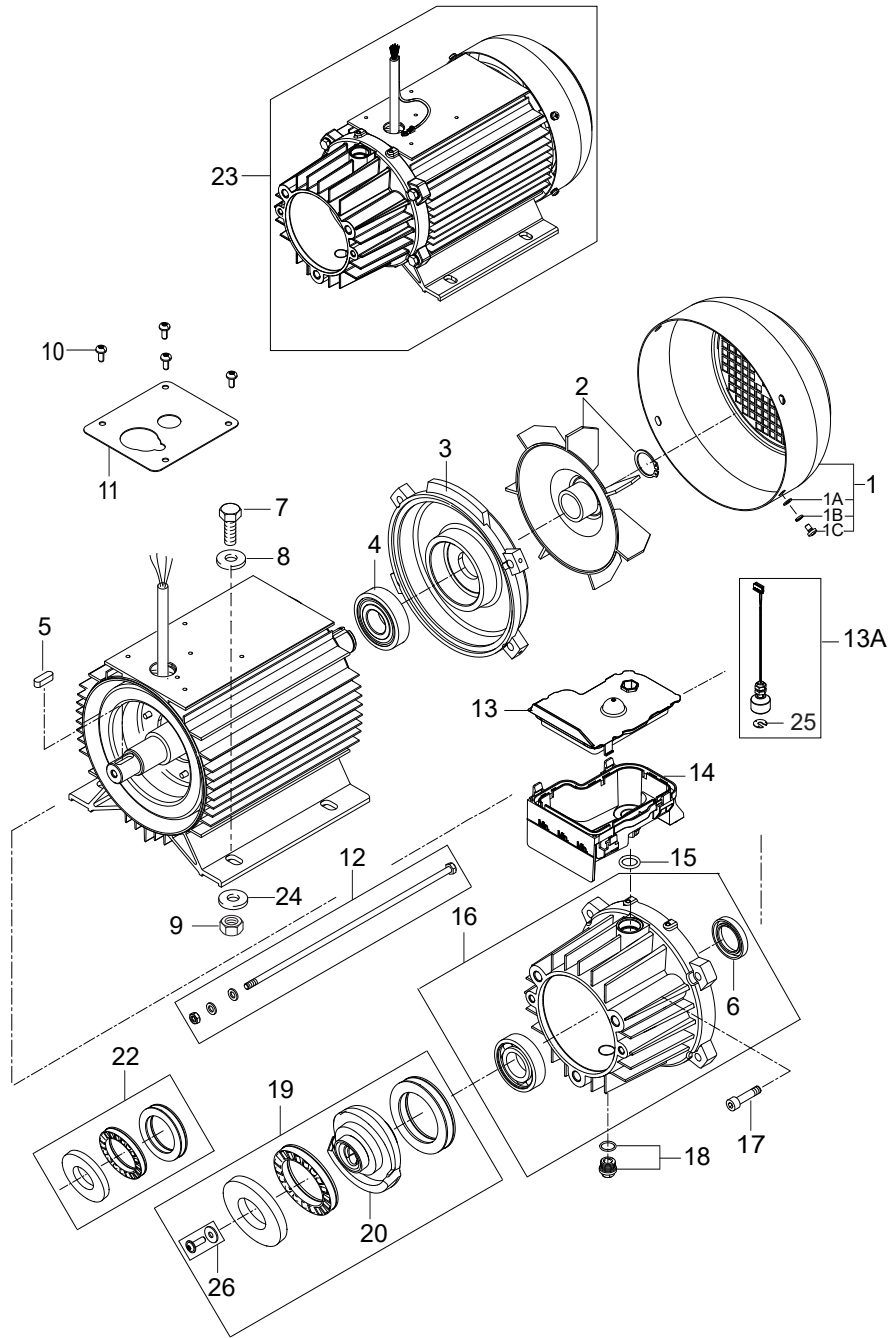
Pos.	Artikel-Nr.	Menge	Variante	Notes
1	107143046	1	TOOL BOX LID	
2	107143045	1	E-BOX TOP	
3	107143206	1	LABEL CONTROL PANEL FULL SPEC NILFISK MH	
4	107141838	2	SCHRAUBE K50X18 WN1451 SCHWARZ TORX 20	
5	107141648	1	MANOMETER 0-300 BAR	
6	909100204	2	Drehknopf 6x5 blau	
7	909100214	1	Schalter GR 1 4 Kt	
8	101118311	1	PCBA UI MH E	
9	909100046	5	Schraube 4x8	
10	9868	2	O-Ring 10x2,5	
11	18274	2	Senkschraube M4x12	
12	107141650	1	Halter	
12a	107141651	1	Scheibe DIN125-A13	
12b	31000508	1	O-RING NBR	
12c	102406647	1	Manometerrohr	
13	28877	1	Schalter	
14	101117730	1	PCB FOR POTENTIOMETER	
15	1814730	2	Schraube 3,5x10	
15a	301001000	1	Ventil	
15b	301001906	1	Verschlusskappe	
15c	106408243	1	HOSE 1/4INCH TRANSPARENT - 5 METERS	
16	107143200	1	POWER TRANSFORMER 55VA 230/400V 2X24V	[1]
16	107143208	1	POWER TRANSFORMER 55VA 230/450V 2X24V	[2]
17	103821828	1	Relais 24V SNR	
18	107143069	1	SNAP TERMINAL 2 POL	
19	101118310	1	PCBA MH E	
19A	101221031	1	Jumper f. Servicerrückstellung	
19B	31001190	1	FUSE 6.3A 5x20 MM 250V	
19C	107143239	1	FUSE 5X20MM 1,25A	
19D	15846	2	Sicherung 5x20 2,5A T	
20	107307326	1	ERDUNGSANSCHLUSS 6 PIN	
21	107318193	1	END BRACKET FOR DIN-RAIL	
26	107143062	1	E-BOX BOTTOM	
32	107143063	1	CABLE FOR POWER TRANSFORMER PRIM 400V	
34C	107143166	E12	POWER CORD H07RN-F 4G4X6M CEE 32A	
34C	107143209	E24	POWER CORD H07RN-F 4G10X6M CEE 63A	
34E	107143210	E24 -US	POWER CORD SOOW 4AWG8 X 11M	
37	909100019	1	Sechskantmutter M20x1,5 EN 50262 PA	
38	909100043	1	Kabelverschraubung	

Part Notes:

- [1] - EU
 [2] - 460/3/60 E24 US



Pos.	Artikel-Nr.	Menge	Variante	Notes
1	107141838	1	SCHRAUBE K50X18 WN1451 SCHWARZ TORX 20	
2	301000782	1	Deckel	
3	107143069	6	SNAP TERMINAL 2 POL	
4	301002165	1	Anschlussklemmenkäfig	
5	107143074	1	E-BOX	
6	3803764	1	Stopfbuchse TET 5-7C	
7	3803772	1	Tülle	
8	107143075	1	MOTOR CABLE 5G1.5 FOR 3~	
9	107307326	1	ERDUNGSANSCHLUSS 6 PIN	
10	107143070	1	CABLE FOR MT	

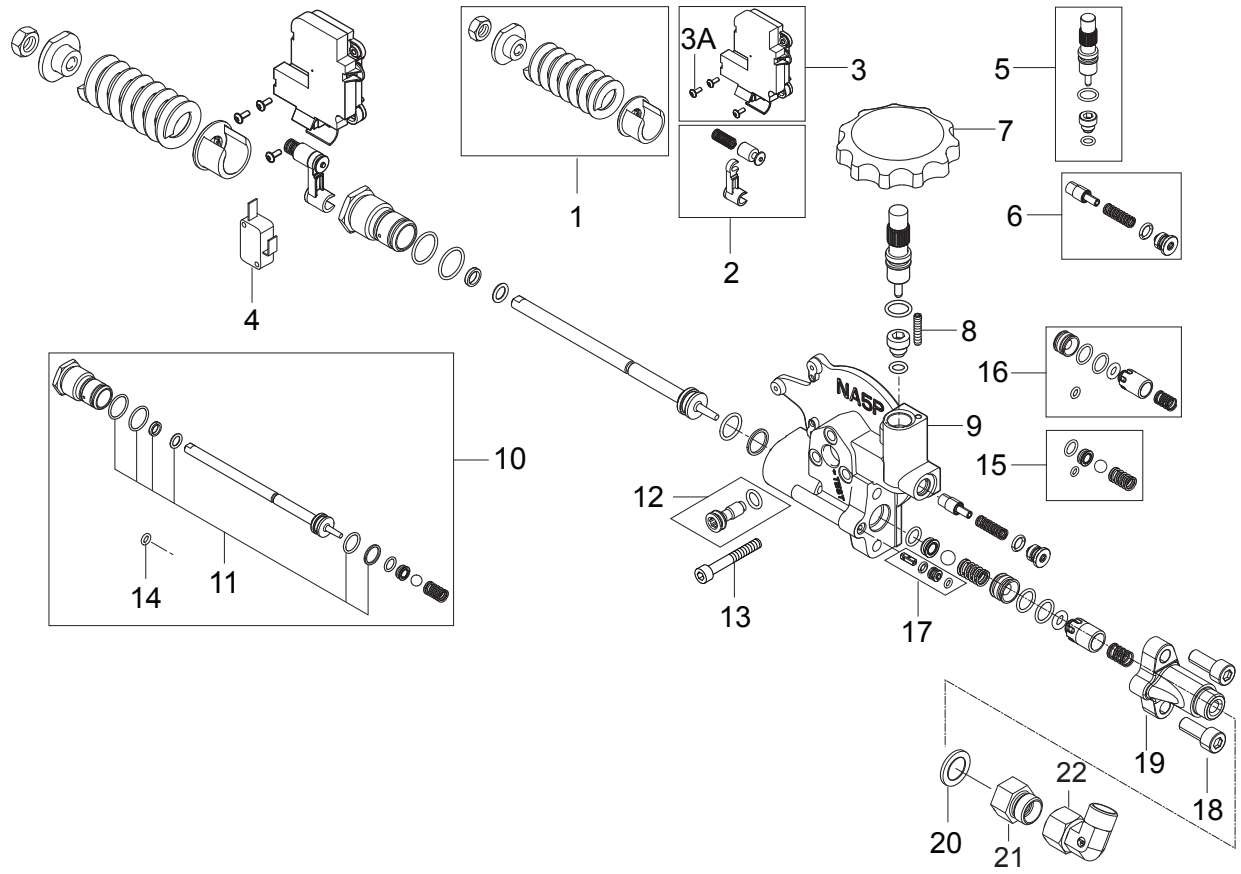


Pos.	Artikel-Nr.	Menge	Variante	Notes
0	5218433	1	Pumpenöl 150 1x1l	
1	107144126	1	Lüfterhaube	
1A	2763	4	Scheibe 5,3x1,0 ISO 7089 zn	
1B		4	Spring washer Ø5	
1C	1813781	4	Schraube M5x8 7985 St-zn	
2	107144125	1	Lüfterrad	
3	31000148	1	Lagerdeckel	
4	31000149	1	Lager RF	
5	19639	1	Passfeder A 8x7x25	
6	G120414	1	Dichtring Ø30XØ47X7	
7	1801133	4	Schraube M10X25	
8	2767	4	Scheibe 10,5x2,0 ISO 7090 zn	
9	8952	4	Sechskantmutter M10 ISO 7042 zn	
10	107140881	4	SCREW M5X12 DIN 7985 TORX	
11	107140875	1	Dichtung	[1]
12	31000505	1	Schraube M8x290	
12	31000504	1	Schraube M8x265	
13	107140877	1	Deckel	
13A	101118173	1	OIL SENSOR W/PLUG KIT	
14	107143094	1	OIL CONTAINER BOTTOM	
15	107140882	1	O-Ring 15,0 x 3,0	
16	107141967	1	D-BEARING COVER COMPLETE NA5.2	
17	107144142	4	Schraube für Pumpengehäus	
18	107141982	1	OIL PLUG W/O-RING AND MAGNET NA5.2	
19	101118247	1	WOBBLE DISC 8.7 DEG. BEARING KIT NA5.2	
19	107143108	1	WOBBLE DISC 7.2 DEG. NA5.2	
20	107141962	1	WOBBLE DISC 8.7 DEG. NA5.2	
20	101118249	1	WOBBLE DISC 7.2 DEG. BEARING KIT NA5.2	
21	107141502	1	Schraube M8 X 20 DIN 7991	
22	101118240	1	BEARING KIT FA PA - NA5.2	
23	107141954	1	MOTOR 5.5 KW 220/230-400/440/3/50/60 EU	
24	4827	4	Scheibe 10,5x2,5 A ISO 7093-1 zn	
25	107142593	1	HOLDING WASHER PE	
26	107142658	1	NA5.2 WD SCREW AND WASHER	

Part Notes:

- [1] - TSB-PPW-2018-012 NA5_NA6 mpu. Water enters into the stator.

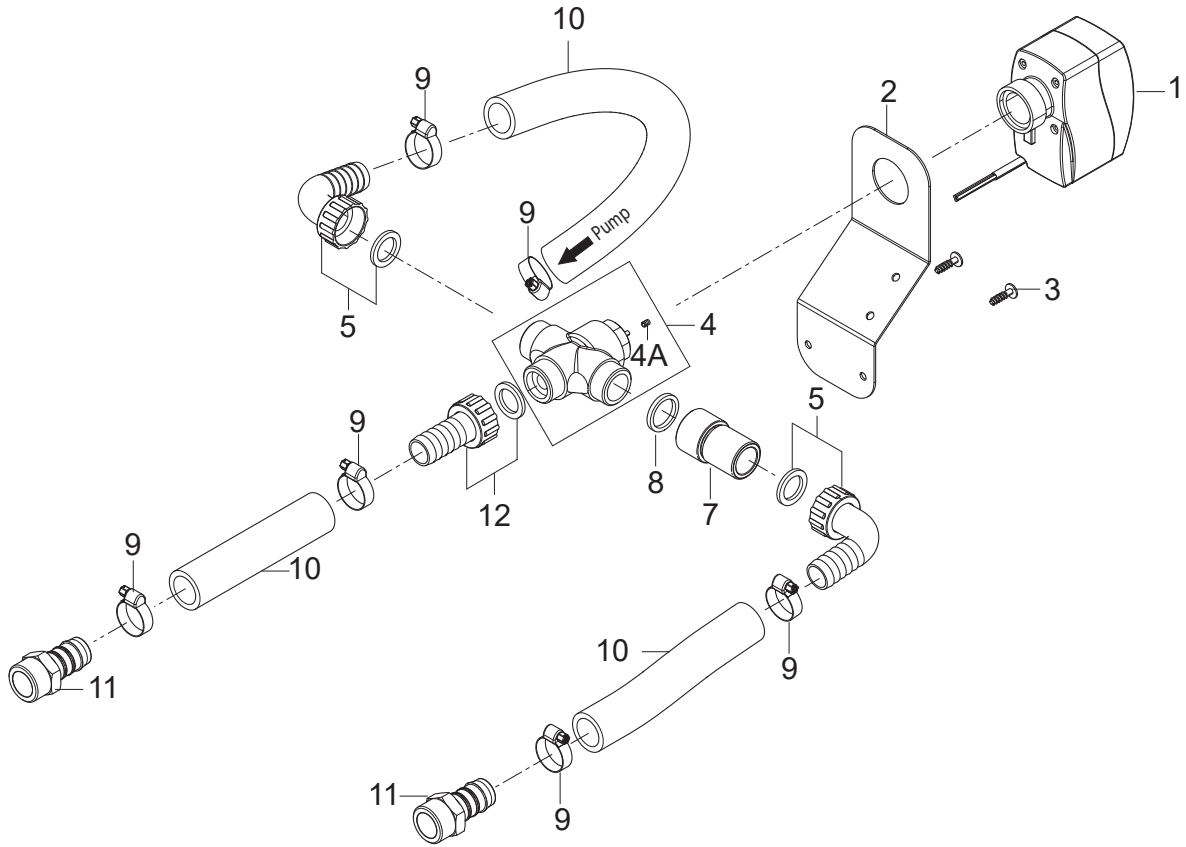
Pos.	Artikel-Nr.	Menge	Variante	Notes
1	101118121	1	Satz Ventile	
2	101118256	1	WATER SEAL NA5 HEAVYDUTY HOT SUCTION KIT	
3	107144102	1	Dichtungssatz Kolben	
4	101118239	1	PISTON KIT - NA5.2	
5	107144104	1	Satz Feder	
6	107141983	1	CYLINDER BLOCK W/O-RING NA5.2	
9	101118147	1	INLET MANIFOLD KIT NA5	
10	107140919	1	SUPPORT RING NA5 SPARE VPE 3	
11	107141968	3	CYL.SCREW M12X80 WITH NORDLOCK WASHER	
12	107141969	3	WASHER NLX12SP ?12.5X?19.5X3.5MM	
13	107141985	1	CYLINDER HEAD NA5.2 W. SCREWS WASHERS	
14	107141512	1	O-Ring D114 x D1.78	
15	4042	2	Schraube M8 X 40 8.8	
16	107143085	1	LOCK PIN	
17	107143000	1	WATER LIMITER (MEDIUM)	
18	8298	2	Schlauchschelle SGL 16-27	
19	107143031	1	FUELFLEX HOSE D28/D20 10BAR/20°	
20	11654	1	Schlauchklemme 11,5	
21	106408243	1	HOSE 1/4INCH TRANSPARENT - 5 METERS	
22	107143088	1	O-RING 18.72X2.62	



Pos.	Artikel-Nr.	Menge	Variante	Notes
1	101118091	1	Feder	
2	101118090	1	MICROSW. ACTIVATION REP. KIT NA5 PA	
3	101118084	1	Schaltergehäuse	
3A	107141515	3	SCREW M3X8 ISO7380 FZG TORX 10	
4	101118188	1	MICRO-SWITCH KIT	
5	101118228	1	FLOW REGULATION KIT NA5 PA(DAMPER)	
6	101118185	1	DRUCKVENTIL D2.5 SET	[1]
6	101118186	1	PRESSURE BUILD UP VALVE D3.0 KIT	[2]
7	107143003	1	Einstellknopf NA5/NA6	
8	106408188	1	DIN 913 M4X20 POINTED SCREW	
9	107143112	1	UNLOADER HOUSE PA	
10	101118294	1	STEM + SEALING REP. KIT NA5/5.2/6/6+ PA	[3]
11	101118083	1	Reparatursatz Steuerkolben	
12	107144137	1	Stopfen	
13	5100	3	Zylinderschraube M6x45	
13	107144142	1	Schraube für Pumpengehäus	[4]
14	107141514	1	O-RING D4 X D1.5 NBR 90	
15	101118295	1	BYPASS VALVE REP. KIT NA5.2 PA	[3]
16	101118254	1	HOLDING PRESS.V.REP. KIT NA5.2PA - UK AU	[5]
16	101118253	1	REPARATURSATZ VENTIL NA5.2 PA	[3]
17	101118312	1	DAMPER KIT NA5 PA LOW FLOW	[6]
17	101118126	1	Kolben	
18	8894	2	Schraube M8 x 20 8.8	
19	107143110	1	NA5 PA OUTLET MACHINED	
20	107143107	1	PACKING RING D23.8XD17.28X2	
21	107143090	1	ADAPTOR IN 3/8 OUT M18X1.5	
22	101118094	1	Kupplungssatz 90D ISO	

Part Notes:

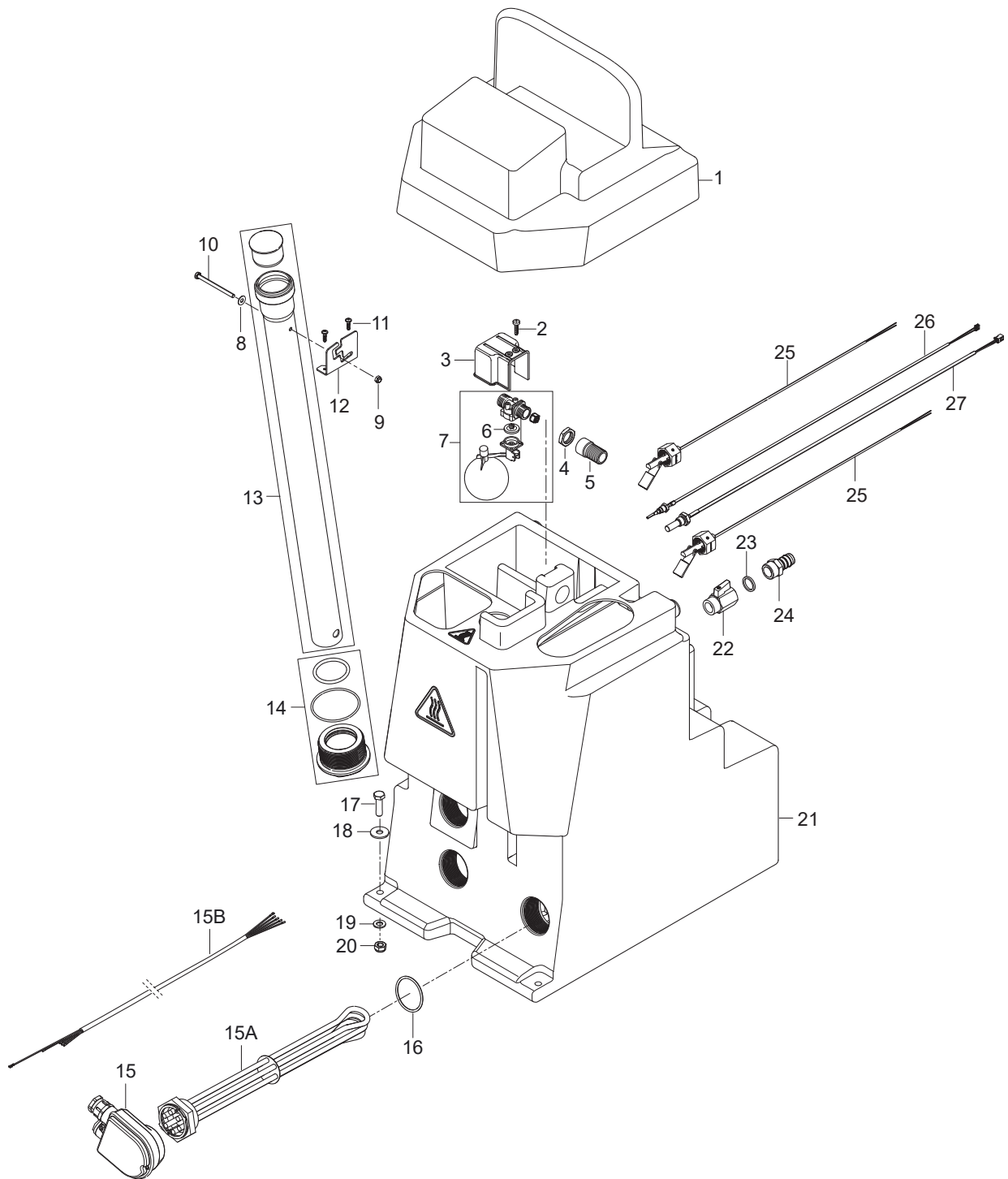
- [1] - MH 5M-100/760
- [2] - MH 5M-210/1100
- [3] - TSB-PPW-2017-005 Low pressure—Unloader valve for NA5.2 pump can leak internally
- [4] - 3x Screw HX M6 x 45 ISO 4762
2x CYLINDRICAL SCREW M6 X 18
2x Screw M8x40ISO47628.8zn
4x SCREW M8X35 ISO 4017
- [5] - Only UK, AU
TSB-PPW-2017-005 Low pressure—Unloader valve for NA5.2 pump can leak internally
- [6] - Only for MH 4M and MH 5M UK



Pos.	Artikel-Nr.	Menge	Variante	Notes
1	107143215	1	ACTUATOR DANFOSS	
2	107143216	1	BRACKET FOR MIXING VALVE	
3	107141838	2	SCHRAUBE K50X18 WN1451 SCHWARZ TORX 20	
4	107143217	1	MIXING VALVE 3-WAY DANFOSS	
4A	Mette nr.	1		
5	107141709	2	ELBOW 90DEG HOSE NOZZLE	
7	301002149	1	Nippel G3/4x50 I/A 30	[1]
8	3001237	1	Dichtung	
9	8298	6	Schlauchschelle SGL 16-27	
10	107141694	1	UNIVERSAL WATER/AIR HOSE	
11	107143219	2	HOSE NIPPLE PA ?19X3/4	
12	107143220	1	"STRAIGHT HOSE NOZZLE 3/4""X?20"	

Part Notes:

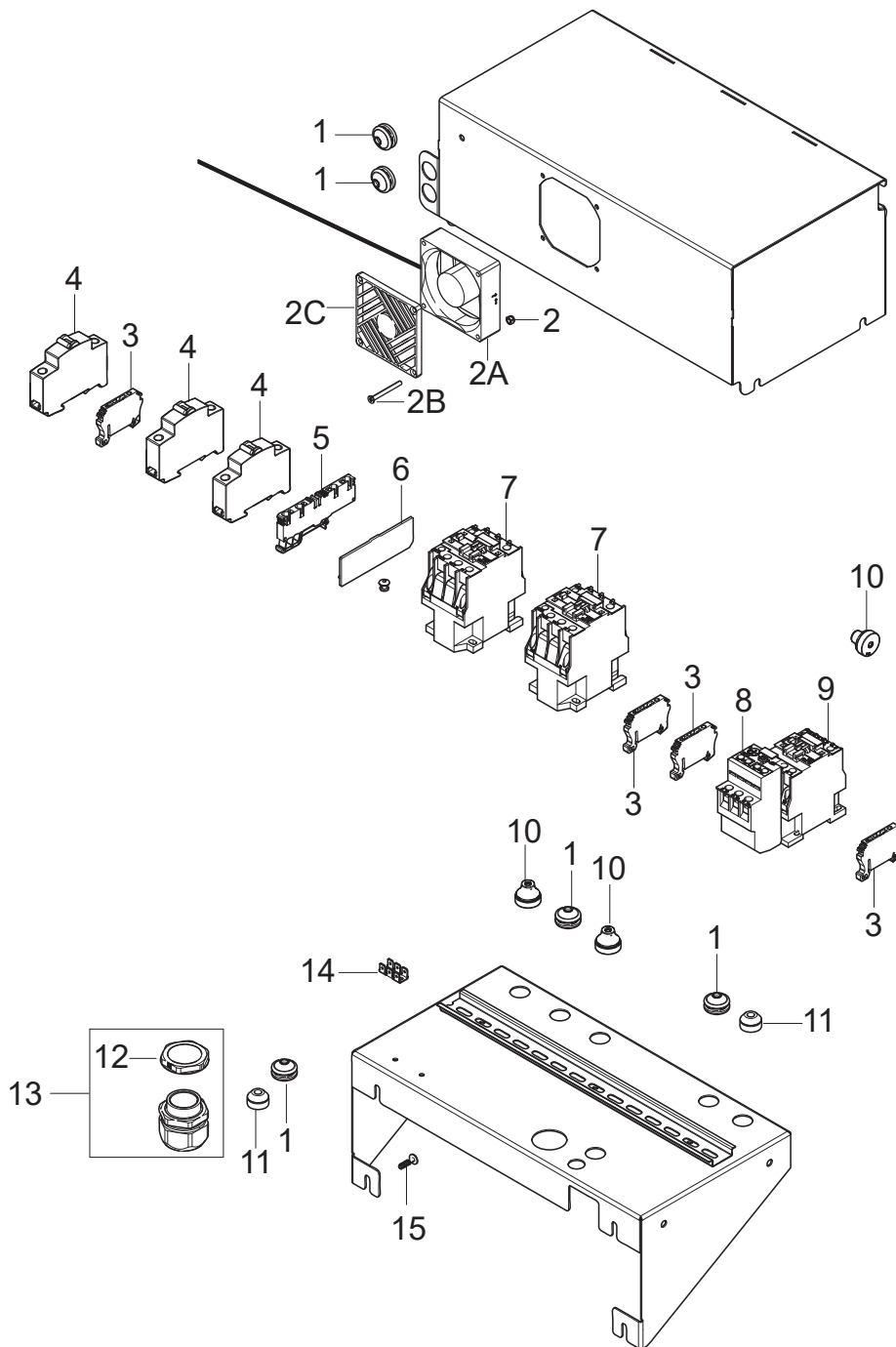
[1] - STOCK COVERS GUARANTEE



Pos.	Artikel-Nr.	Menge	Variante	Notes
1	107143221	1	ISOLATION TOP	
2	16860	2	EP- Schraube KA 40x12 WN1412 A2	
3	34240	1	Abdeckung	
4	22669	1	Mut 6kt- G3/4 flach Ms	[1]
5	301002149	1	Nippel G3/4x50 I/A 30	[1]
6	17379	1	Membrane	
7	63871	1	Schwimmerventil 3/4-10-	
8	1800440	1	Scheibe M6	
9	11619	1	Sechskantmutter M6 ISO7042 A2K	
10	107143222	1	SCREW M6X80 ISO 4017/DIN 933 8.8 FZB	
11	107141838	2	SCHRAUBE K50X18 WN1451 SCHWARZ TORX 20	
12	107143223	1	LOCKING PLATE	
13	107143224	1	DRAIN TUBE DN 50X1,8	
14	101118301	1	DRAIN FITTING WITH O-RINGS KIT	
15	101118304	1 (2)	CONNECTION BOX COVER+GASKET	
15A	101118302	1 (2)	HEATING ELEMENT 12KW 230/400V KIT	[2]
15A	101118303	2	HEATING ELEMENT 12KW 266/460V KIT	[3]
15B	107143236	1 (2)	CABLE FOR HEAT ELEMENT	
16	107143234	1 (2)	O-RING 54 X 4 NBR 70 SHORE	
17	8927	2	Zylinderschraube,	
18	4827	2	Scheibe 10,5x2,5 A ISO 7093-1 zn	
19	2767	2	Scheibe 10,5x2,0 ISO 7090 zn	
20	8952	2	Sechskantmutter M10 ISO 7042 zn	
21	107143225	1	TANK	
22	107307468	1	MINI BALLVALVE MALE/FEM 3/4	
23	3001237	1	Dichtung	
24	107143219	1	HOSE NIPPLE PA ?19X3/4	
25	107143233	2	LEVEL SENSOR MH E	
26	107143214	1	TEMPERATURE SENSOR PT100	
27	107143213	1	TEMPERATURE LIMITER 85°C	

Part Notes:

- [1] - STOCK COVERS GUARANTEE
 [2] - EU
 [3] - US



Pos.	Artikel-Nr.	Menge	Variante	Notes
1	301002284	5	Tülle	
2	1800127	4	Gegenmutter	
2A	107143227	1	AXIAL FAN 80X80X25	
2B	107318103	4	SCREW M4X40 DIN965-A	
2C	107318098	1	FILTER COVER FOR FAN	
3	107318193	4	END BRACKET FOR DIN-RAIL	
4	107143232	E24	CIRCUIT BREAKER DZ47-63 3-POL 40A	
4	107143231	E12	CIRCUIT BREAKER DZ47-63 3-POL 20A	
5	107143228	1	TERMINAL BLOCK 'PUSH IN'	
6	107143229	1	END PLATE	
7	103822317	2	Schütz CJX2-D32-B7 24V	
8	103822326	1	Relais	
9	103822306	1	Schütz CJX2-D18-B7 24V	
10	3803772	3	Tülle	
11	3803764	2	Stopfbuchse TET 5-7C	
12	909100021	1	Sechskantmutter M32 x1,5 EN 50262 PA	
13	107143203	E24	CABLE GLAND M32 14-25MM BLACK	
13	107143207	E12	CABLE GLAND M32 11-21MM BLACK	
14	107307326	1	ERDUNGSANSCHLUSS 6 PIN	
15	107141838	4	SCHRAUBE K50X18 WN1451 SCHWARZ TORX 20	

