



07351-5758060

kontakt@nilfisk-alto-shop.com



Preisabfrage bzw. Bestellungen der Artikel im Shop unter

www.nilfisk-alto-shop.com

einfach die Artikelnummer in die Suchmaske eingeben

(Bitte die Artikelnummer ohne Leerzeichen eingeben)

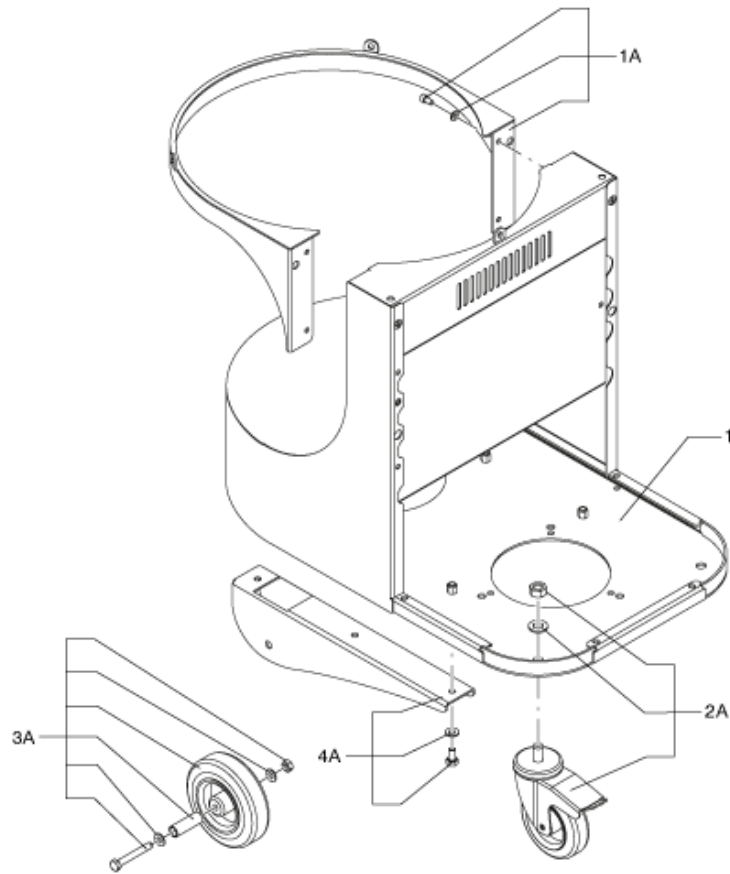
PARTS LIST



2021.12.06

TABLE OF CONTENTS

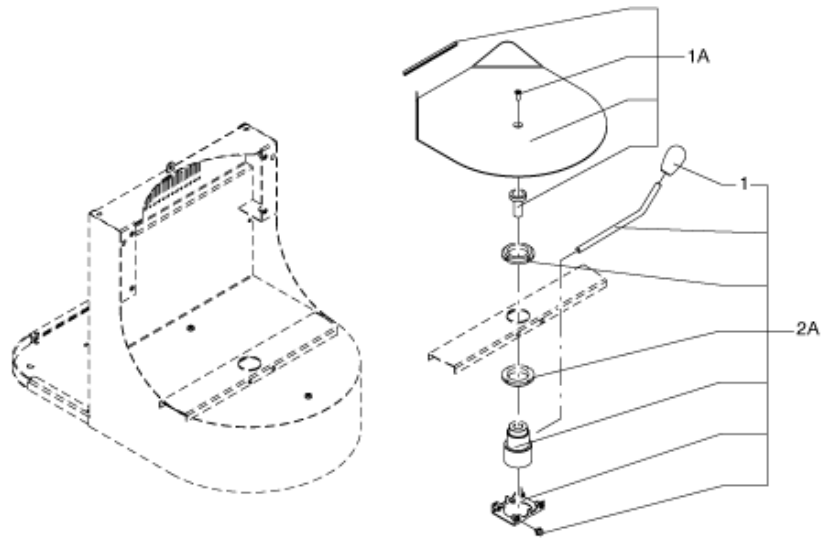
| | |
|--------------------------------------|----|
| L190 - 1 - CAR | 1 |
| L190 - 2 - CAR | 3 |
| L190 - 3 - CAR | 5 |
| L190 - 4 - CONTAINER UNIT | 7 |
| L190 - 5 - CONTAINER UNIT | 9 |
| L190 - 6 - FILTER GROUP | 11 |
| L190 - 7 - BACKWASH GROUP | 13 |
| L190 - 8 - FILTER GROUP | 15 |
| L190 - 9 - SHAKER UNIT | 17 |
| L190 - 10 - SUCTION UNIT | 19 |
| L190 - 11 - ELECTRIC SYSTEM | 21 |
| L190 - 12 - L/M/H & ATEX LABEL | 23 |
| OPTIONALS | 25 |



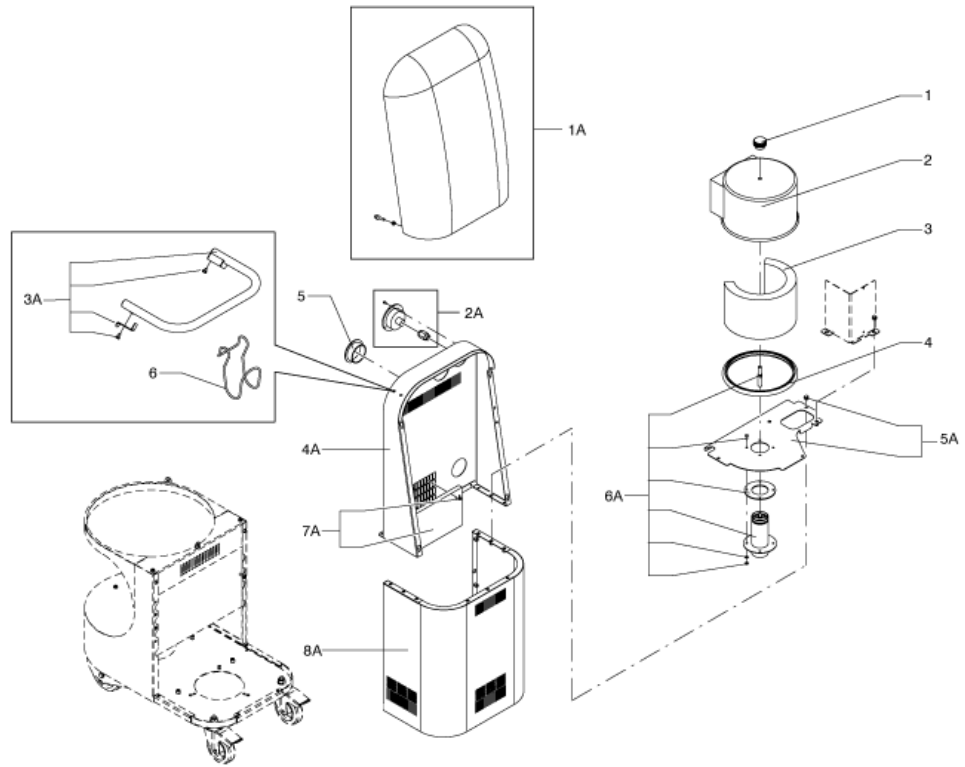
| Pos. | Artikel-Nr. | Menge | Variante | Notes |
|------|-------------|-------|---------------------------------------|-------|
| 01 | 4083600729 | 1 | MODULAR BASE HORIZONTAL R9003 MOD.VHW | |
| 01 | 4083600737 | 1 | MODULAR BASE HORIZONTAL SS MOD.VHW | [1] |
| 01A | 4089100353 | 1 | BAND FOR THE FILTER CHAMBER KIT | |
| 01A | 4089100394 | 1 | SS BAND FOR FILTER CHAMBER KIT | [1] |
| 02A | 4089100419 | 1 | REVOLV. CASTOR KIT | |
| 03A | 4089100418 | 1 | FIX WHEEL KIT | |
| 04A | 4089100356 | 1 | SUPPORTS KIT FOR FIXED WHEELS | |
| 04A | 4089100391 | 1 | SS SUPPORTS KIT FOR FIXED WHEELS | |

Part Notes:

[1] - CONTACT PM IN ZOCCA



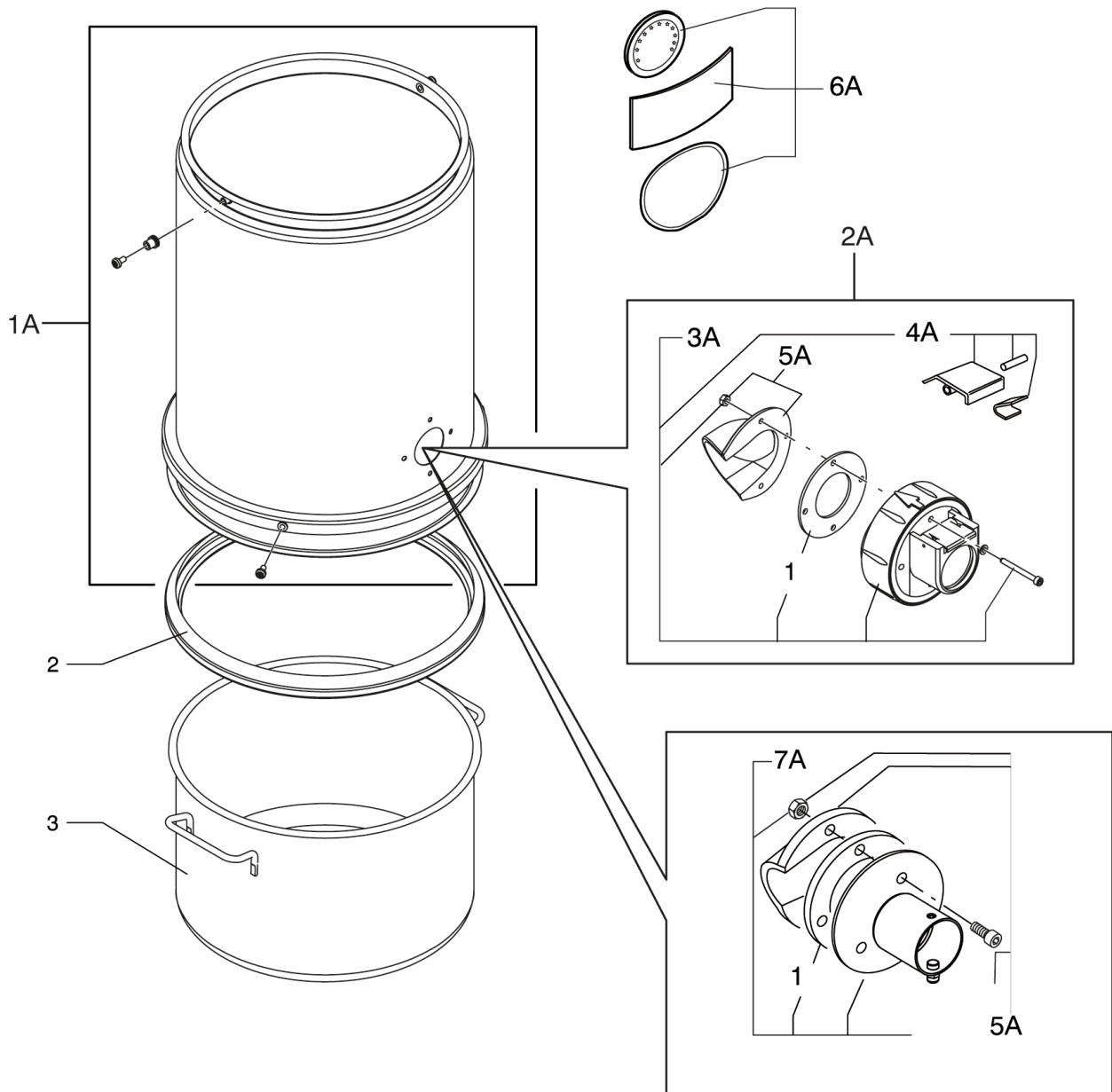
| Pos. | Artikel-Nr. | Menge | Variante | Notes |
|-------------|--------------------|--------------|--------------------------|--------------|
| 01 | 4084001148 | 1 | Sterngriff ohne Loch | |
| 01A | 4089100392 | 1 | SS CONTAINER SUPPORT KIT | |
| 01A | 4089100357 | 1 | CONTAINER SUPPORT KIT | |
| 02A | 4089100393 | 1 | SS CONTAINER LIFTING KIT | |
| 02A | 4089100358 | 1 | CONTAINER LIFTING KIT | |



| Pos. | Artikel-Nr. | Menge | Variante | Notes |
|------|-------------|-------|---|-------|
| 01 | 4084001146 | 1 | Sterngriff ohne Loch | |
| 01A | 4089100395 | 1 | SS CARTER TOP CLOSURE KIT | |
| 01A | 4089100383 | 1 | CARTER TOP CLOSURE KIT | |
| 02 | 4083000693 | 1 | DIFFUSER CONTAINER D220 SS M.VHW321 | |
| 02 | 4083000683 | 1 | DIFFUSER CONTAINER D220 R9003 VHW321 | |
| 02A | 4089100459 | 1 | 3000 VACUUM GAUGE KIT | |
| 03 | 4081701062 | 1 | Schalldämm Kit | |
| 03 | Z8 17262 | 1 | Absolutfilter AD VHW360/3VT H14 | |
| 03A | 4089100384 | 1 | HANDLE KIT | |
| 03A | 4089100396 | 1 | SS HANDLE KIT | [1] |
| 04 | Z58 17088 | 1 | Dichtung Silikon zu CFM | |
| 04A | 4089100385 | 1 | REAR HOOD KIT | |
| 04A | 4089100397 | 1 | SS REAR HOOD KIT | |
| 05 | 4084001152 | 1 | PLASTIC PLUG D61.5xHIGHER CARTER VHW321 | |
| 05A | 4089100386 | 1 | FLAT FOR DIFFUSER KIT | [1] |
| 05A | 4089100398 | 1 | SS FLAT FOR DIFFUSER KIT | [1] |
| 06 | 82219800 | 1 | Netzkabelhacken | |
| 06 | 4081600745 | 1 | Netzkabelhacken | |
| 06A | 4089100333 | 1 | ABSOLUTE FILTER ASSEMBLY KIT | |
| 06A | 4089100399 | 1 | SS ABSOLUTE FILTER ASSEMBLY KIT | [1] |
| 07A | 4089100387 | 1 | DIFFUSER FILTER KIT | |
| 08A | 4089100400 | 1 | SS CARTER BOTTOM CLOSURE KIT | |
| 08A | 4089100388 | 1 | CARTER BOTTOM CLOSURE KIT | |

Part Notes:

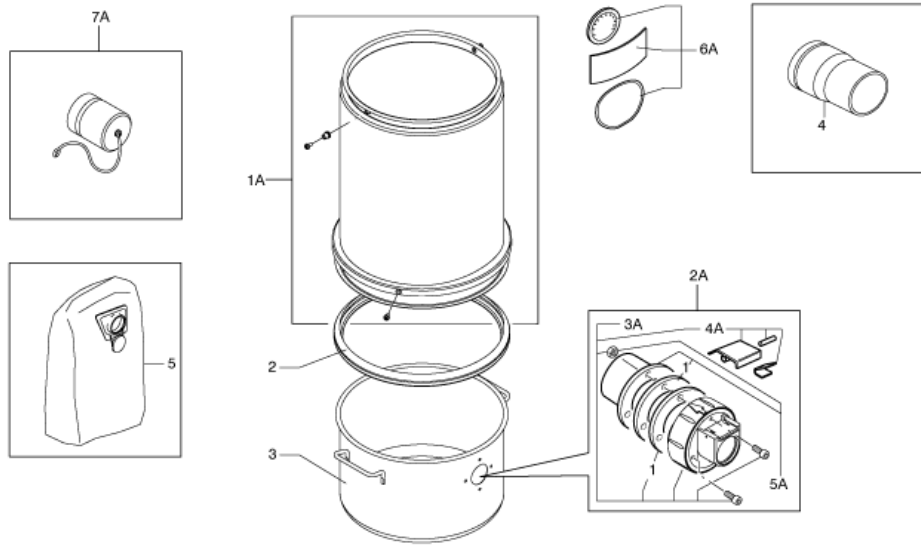
[1] - CONTACT PM IN ZOCCA



| Pos. | Artikel-Nr. | Menge | Variante | Notes |
|------|-------------|-------|----------------------------------|-------|
| 1 | Z8 17005 | 1 | Anschlussdichtung D50 | |
| 2 | Z8 17074 | 1 | Dichtung ¥ 360 | |
| 2 | Z8 17226 | 1 | Silikondichtung Nilfisk 3156 | |
| 3 | Z8 30324 | 1 | Kübel D360x235 inox | |
| 1A | 4089100360 | 1 | FILTER CHAMBER KIT | |
| 1A | 4089100370 | 1 | SS FILTER CHAMBER KIT | [1] |
| 2A | 4089100416 | 1 | SS INLET FULL KIT | |
| 3A | 4089100362 | 1 | INLET KIT | |
| 4A | 40000320 | 1 | Arretierung f. Kessel- | |
| 5A | 40000497 | 1 | DEFLECTOR KIT D50 SS B1 | [1] |
| 6A | 4089100427 | 1 | LABEL KIT | |
| 7A | 4089100888 | 1 | KIT PULSANTE PER BOCCHETTONE D70 | |

Part Notes:

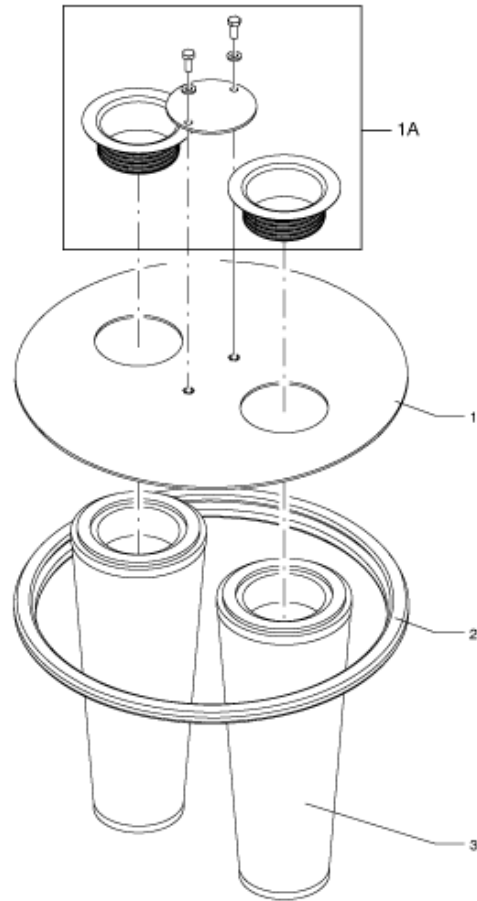
[1] - CONTACT PM IN ZOCCA



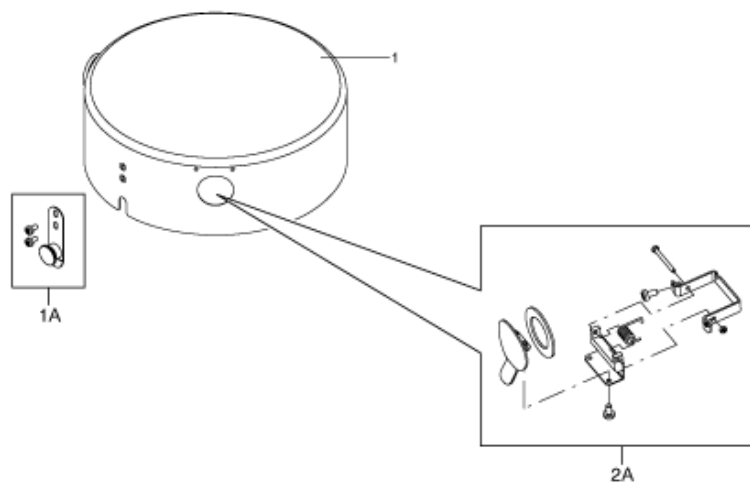
| Pos. | Artikel-Nr. | Menge | Variante | Notes |
|------|-------------|-------|--|-------|
| 01 | Z8 17005 | 2 | Anschlussdichtung D50 | |
| 01A | 4089100378 | 1 | SS FILTER CHAMBER KIT | [1] |
| 01A | 4089100373 | 1 | FILTER CHAMBER KIT | [1] |
| 02 | Z8 17226 | 1 | Silikondichtung Nilfisk 3156 | |
| 02 | Z8 17074 | 1 | Dichtung ¥ 360 | |
| 02A | 4089100374 | 1 | SS INLET FULL KIT | |
| 03 | Z8 30347 | 1 | Behälter | |
| 03A | 4089100362 | 1 | INLET KIT | |
| 04 | Z7 22223 | 1 | Reduzierstück Ø 50-40 INOX | |
| 04A | 40000320 | 1 | Arretierung f. Kessel- | |
| 05 | Z8 40874 | 1 | Sicherheitsfiltersack antistat 1 360/460 | [2] |
| 05A | 4089100375 | 1 | SS DEFLECTOR KIT | |
| 06A | 4089100427 | 1 | LABEL KIT | |
| 07A | 4089100376 | 1 | Verschlusszapfen | |

Part Notes:

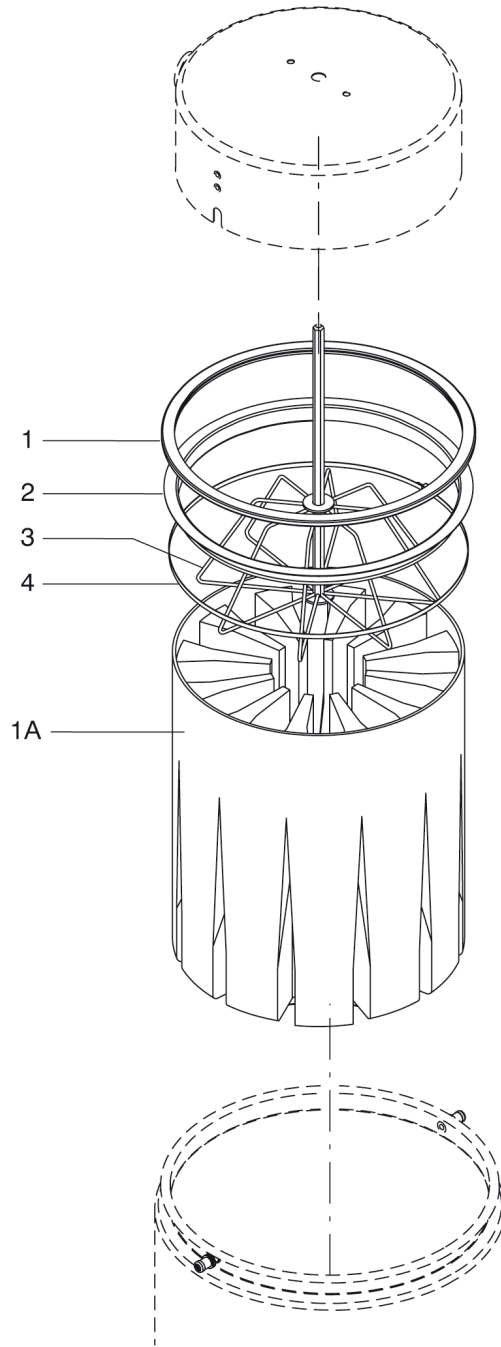
- [1] - CONTACT PM IN ZOCCA
 [2] - 4084001467 OR 4084001468 ACCORDING TO THE DIAMET



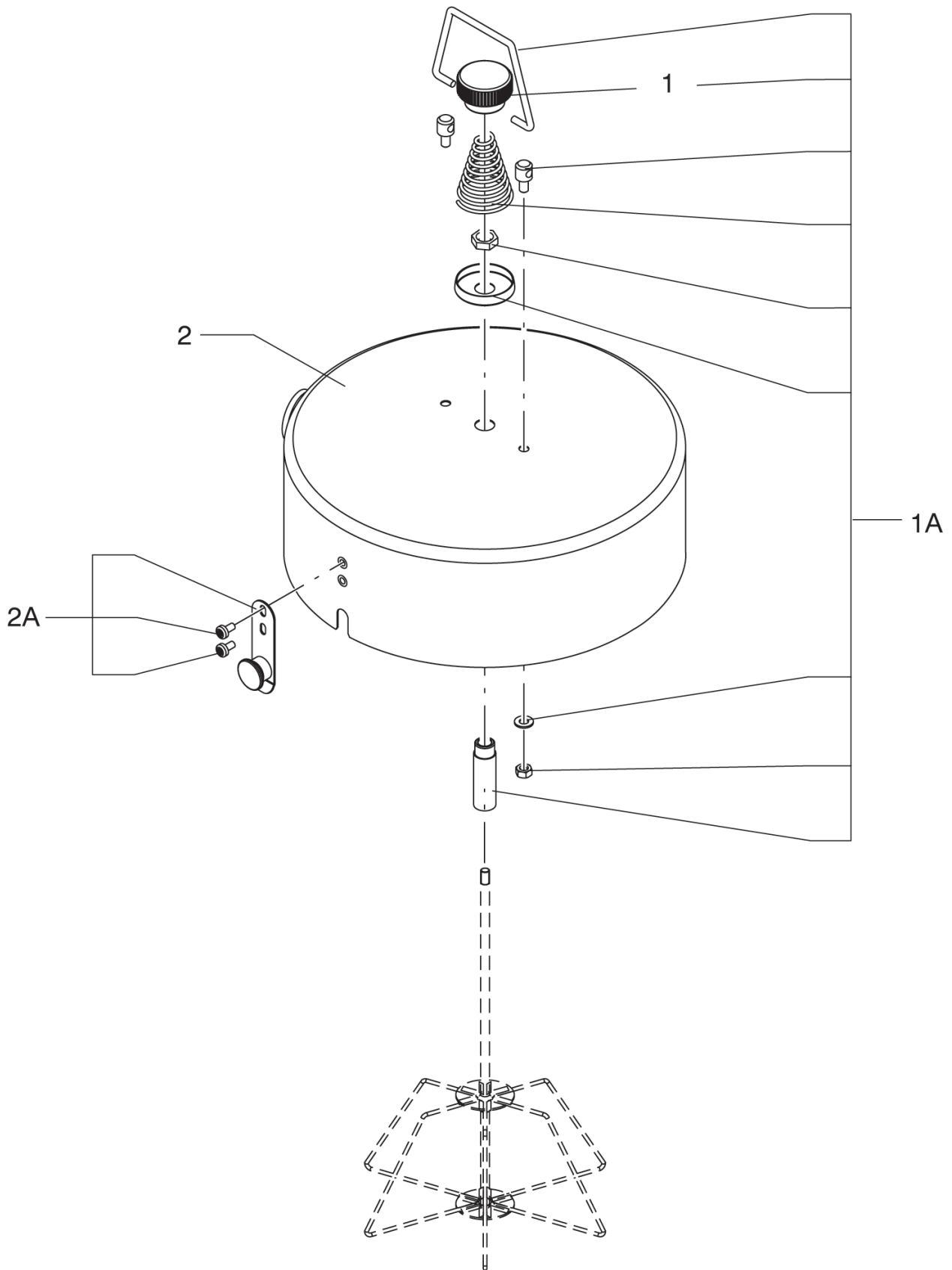
| Pos. | Artikel-Nr. | Menge | Variante | Notes |
|-------------|--------------------|--------------|---|--------------|
| 1 | 4081500226 | 1 | CARTRIDGES CASE DISC FE MOD.VHW320-321 | |
| 1 | 4081500231 | 1 | CARTRIDGES CASE DISC SS MOD.VHW320-321 | |
| 2 | 4081701040 | 1 | Ringichtung PF D350 SBR NEROM.VHW | |
| 2 | 4081701041 | 1 | Dichtung D 360 schwarz Nilfisk 3156 / 1 | |
| 3 | 4081701020 | 2 | Filterpatrone D120X300 | |
| 1A | 4089100365 | 1 | Befestigungskit f. Filter | |
| 1A | 4089100368 | 1 | SS FILTER FIXING KIT | |



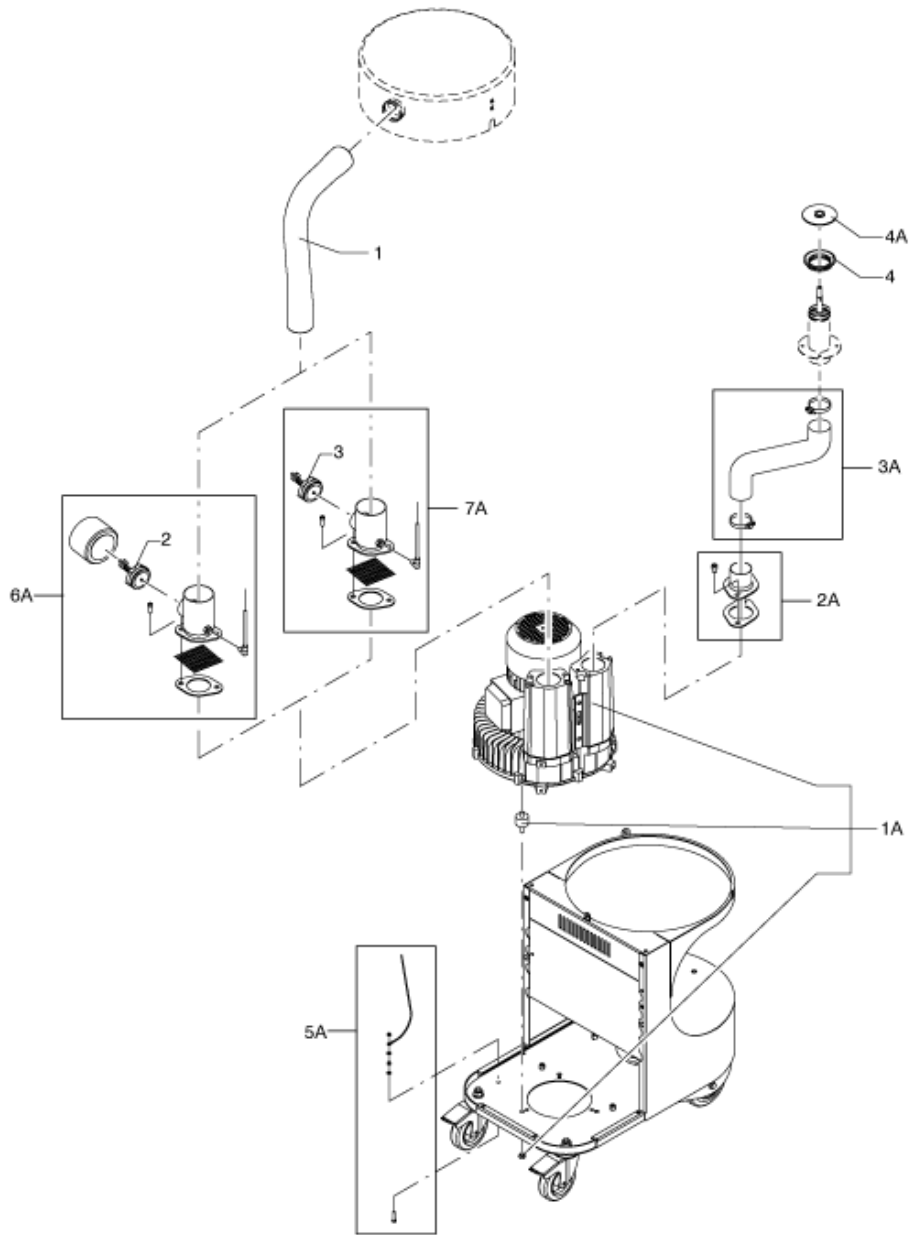
| Pos. | Artikel-Nr. | Menge | Variante | Notes |
|------|-------------|-------|--|-------|
| 1 | 4083101181 | 1 | COVER D360 R9003 CARTRIDGES M.VHW320-321 | |
| 1 | 4083101187 | 1 | COVER D360 SS CARTRIDGES MOD.VHW320-321 | |
| 1A | 4089100330 | 1 | CAP CLOSURE LEVER KIT | |
| 2A | 4089100366 | 1 | PULLCLEAN KIT | |
| 2A | 4089100369 | 1 | SS PULLCLEAN KIT | |



| Pos. | Artikel-Nr. | Menge | Variante | Notes |
|------|-------------|-------|--|-------|
| 1 | 4081701040 | 1 | Ringichtung PF D350 SBR NEROM.VHW | |
| 1 | 4081701041 | 1 | Dichtung D 360 schwarz Nilfisk 3156 / 1 | |
| 2 | 4081500220 | 1 | FILTER HOLDER RING D350 FEMOD.VHW310-311 | |
| 2 | 4081500229 | 1 | FILTER HOLDER RING D350 SSMOD.VHW310-311 | |
| 3 | 8 33071 | 1 | gabbia scuotifiltro | |
| 3 | 8 33075 | 1 | gabbia scuotifiltro inox | |
| 4 | 8 18078 | 1 | 360MM FILTER HOLDER | |
| 4 | 4081801385 | 1 | FILTER BLOCK TIE D360 SS AISI304 | |
| 1A | 40000460 | 1 | Sternfilter Ø360mm Polyester, antistat | |



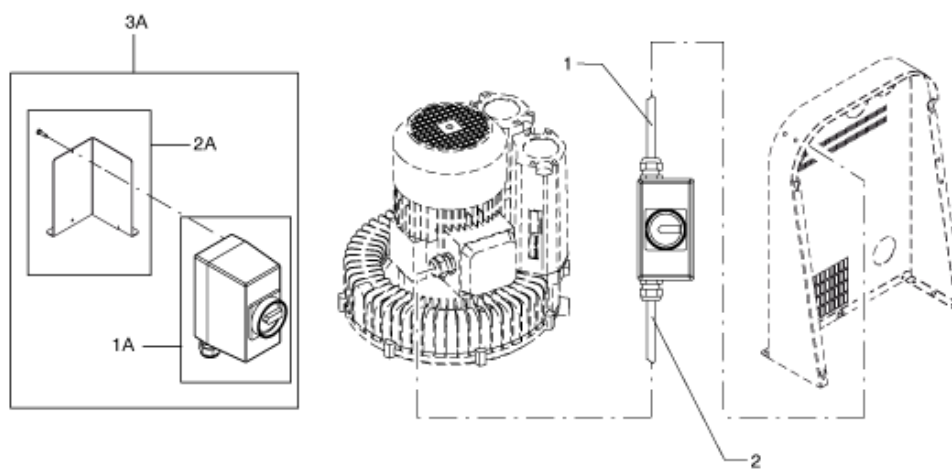
| Pos. | Artikel-Nr. | Menge | Variante | Notes |
|------|-------------|-------|--|-------|
| 1 | 4084001145 | 1 | Sterngriff ohne Loch | |
| 2 | 4083101132 | 1 | COVER D360 R9003 MAN.SHAKER M.VHW310-311 | |
| 2 | 4083101200 | 1 | COVER D360 SS MAN.SHAKER MOD.VHW310-311 | |
| 1A | 4089100329 | 1 | FILTER SHAKER KIT | |
| 1A | 4089100337 | 1 | Filterrüttler-Kit SS | |
| 2A | 4089100330 | 1 | CAP CLOSURE LEVER KIT | |



| Pos. | Artikel-Nr. | Menge | Variante | Notes |
|------|-------------|-------|--------------------------------|-------|
| 01 | 4089100423 | 1 | HOSE KIT | [1] |
| 01A | 4089100421 | 1 | SUCTION UNIT KIT | [1] |
| 01A | 4089100410 | 1 | SUCTION UNIT KIT | |
| 02 | 4089100213 | 1 | 1 1/2 LIMIT. VALVE WITH FILTER | |
| 02A | 40000326 | 1 | Flansch D50 | |
| 03 | 32400363 | 1 | Unterdrucksicherheits- | |
| 03A | 4089100409 | 1 | HOSE KIT | |
| 04 | 4084000988 | 1 | LIP SEAL D50 M.WSS-WST | |
| 04A | 4089100367 | 1 | CLAPET KIT | |
| 05A | 40000877 | 1 | GROUND CABLE KIT | [1] |
| 06A | 4089100422 | 1 | SUCTION CONNECTION KIT | |
| 07A | 4089100338 | 1 | SUCTION CONNECTION KIT | |

Part Notes:

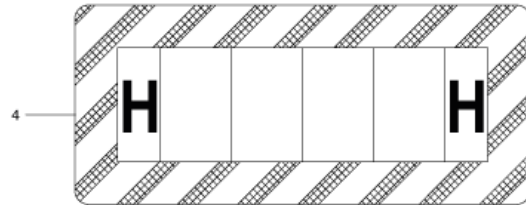
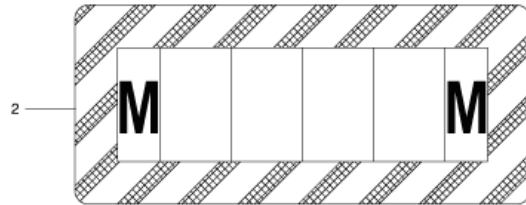
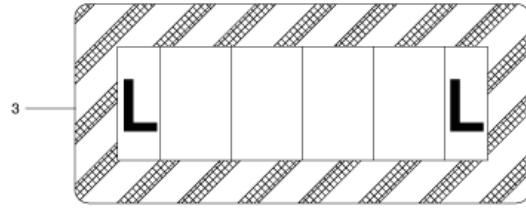
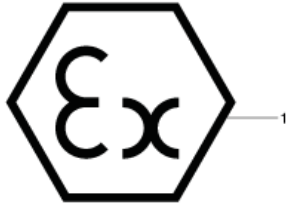
[1] - CONTACT PM IN ZOCCA



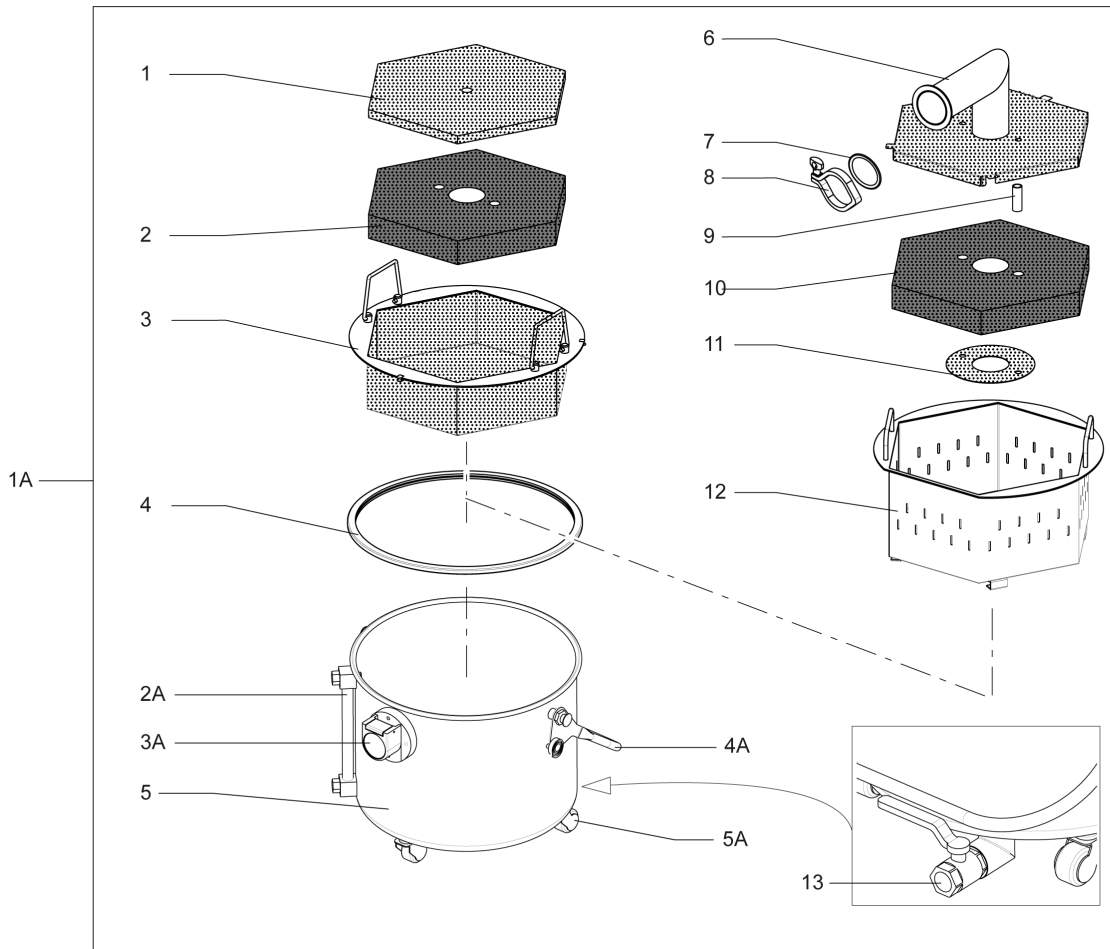
| Pos. | Artikel-Nr. | Menge | Variante | Notes |
|------|-------------|-------|---|-------|
| 1 | 4083901965 | 1 | CABLE SUP. 4G2.5 H07RN-F SP16A 5PP6M II2POWER CABLE KIT 5PP Z21 | [1] |
| 1 | 4089100411 | 1 | POWER CABLE KIT | |
| 1 | 4083901966 | 1 | CABLE SUP. 4G2.5 H07RN-F SP16A 6M II2DPOWER CABLE KIT Z21 | [1] |
| 2 | Z8 391079 | 1 | Kabel | |
| 1A | 4089100380 | 1 | ELECTRIC BOX KIT | [2] |
| 1A | 4089100424 | 1 | ELECTRIC BOX KIT | [1] |
| 2A | 4089100381 | 1 | ELECTRIC PANEL SUPPORT KIT | |
| 2A | 4089100471 | 1 | ELECTRIC PANEL SUPPORT KIT | [1] |
| 3A | 4089100382 | 1 | ELECTRIC BOX PLUS SUPPORT KIT | |
| 3A | 4089100425 | 1 | ELECTRIC BOX PLUS SUPPORT KIT | |

Part Notes:

- [1] - CONTACT PM IN ZOCCA
 [2] - CONTACT PM IN ZOCCA-CHECK EC



| Pos. | Artikel-Nr. | Menge | Variante | Notes |
|-------------|--------------------|--------------|------------------|--------------|
| 02 | Z8 17551 | 1 | LABEL CATEGORY M | |
| 03 | Z8 17550 | 1 | LABEL CATEGORY L | |



| Pos. | Artikel-Nr. | Menge | Variante | Notes |
|------|-------------|-------|--|-------|
| 1 | 4081400686 | 1 | SS HANDLE FOR THE CHIP BASKET | |
| 2 | 4056000602 | 1 | KIT DISPOSAL SYSTEM D360 M.VHW320-321 SS | |
| 3 | 4056000601 | 1 | KIT UPSTREAM ABSOLUT FILT. VHW321 R9003 | |

