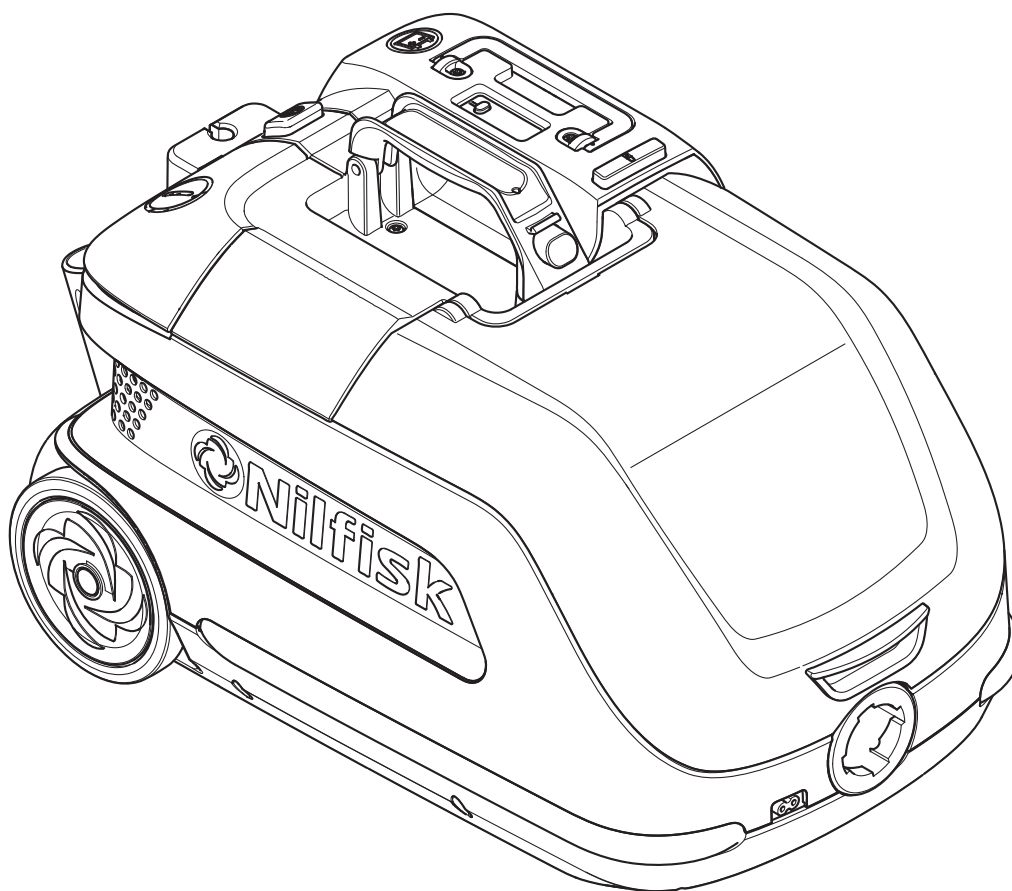


# PARTS LIST

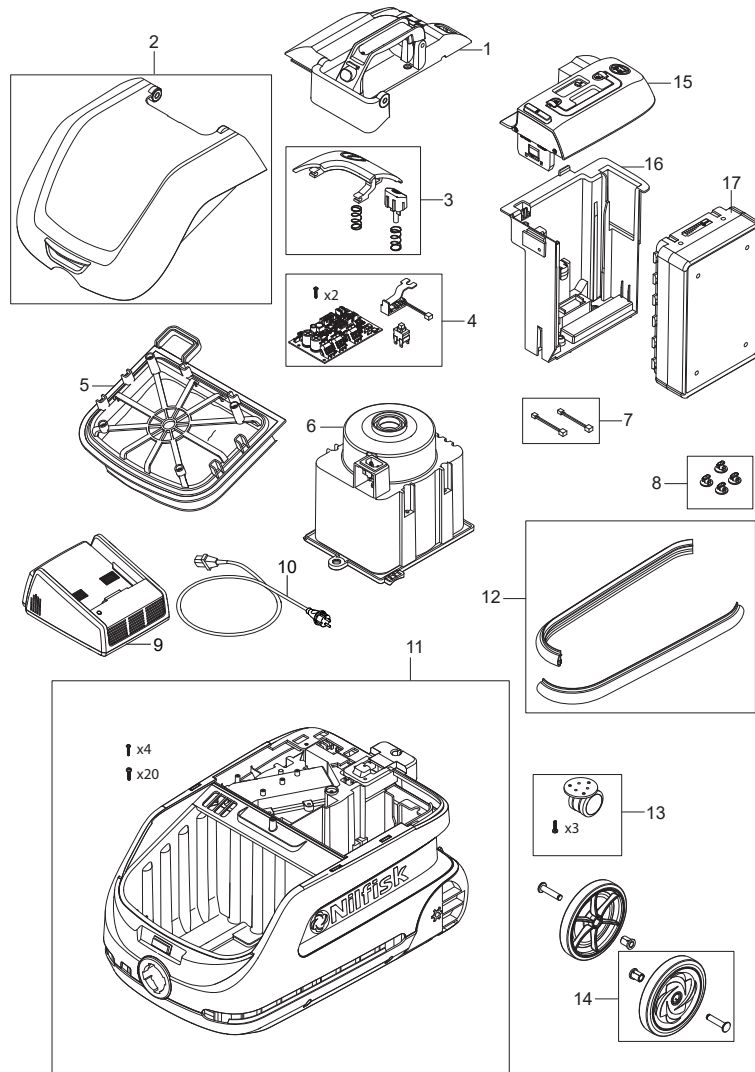


2020.07.01

# TABLE OF CONTENTS

---

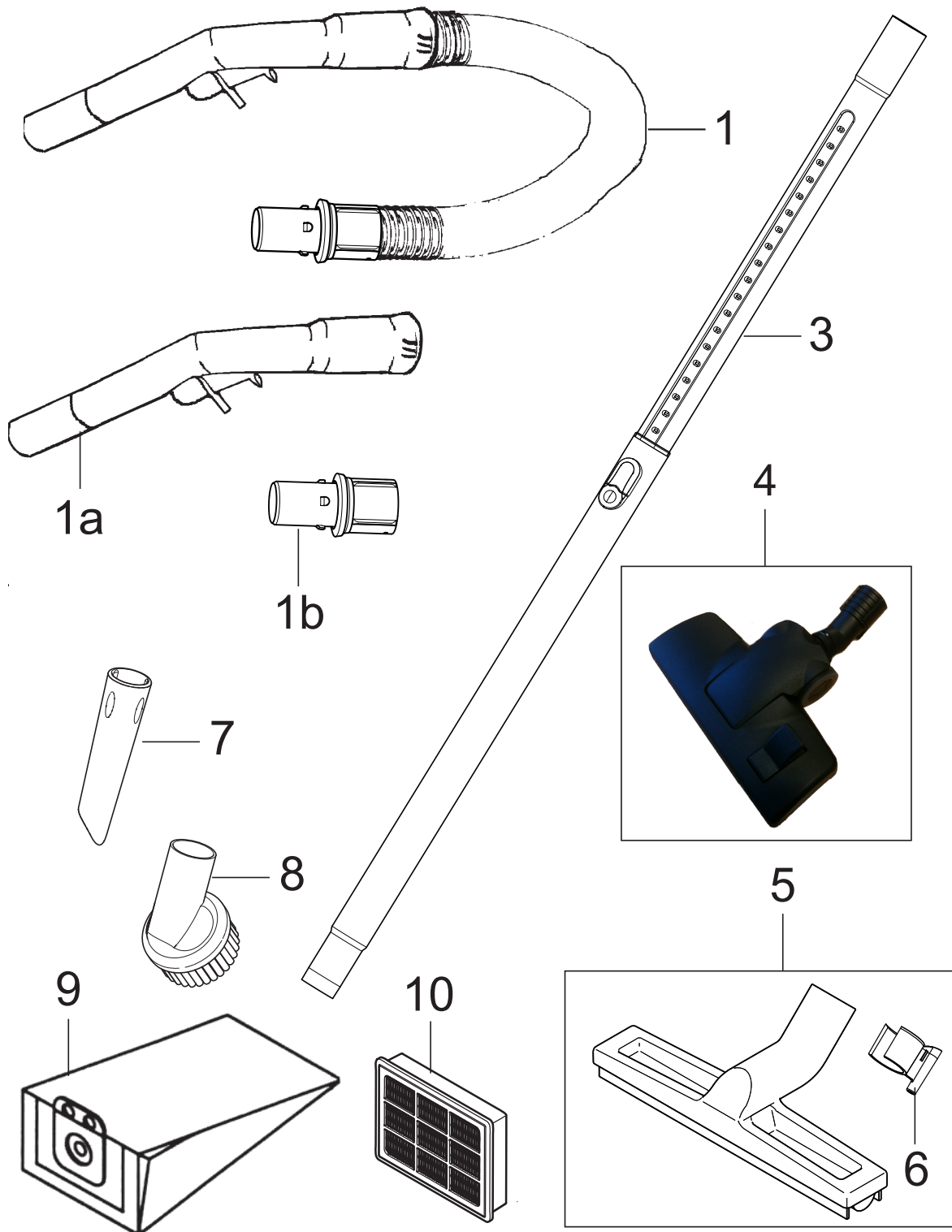
Overview .....	1
Accessories .....	3
Recommended spare parts .....	5



Pos.	Artikel-Nr.	Menge	Variante	Notes
NS	107418127	1	BOX KIT FOR VP600 B.	
1	107413062	1	Griffkit VP600	
2	107418128	1	LID KIT VP600 BATTERY	
3	107418139	1	BOTTON KIT VP600 BATTERY	
4	107418132	1	PCB KIT VP600 BATTERY	
5	107413056	1	Einlegetuchfilter	
6	107418129	1	MOTOR MODULE VP600 BATTERY	
7	107418138	1	WIRE AND RUBBER ASSY VP600 B	
8	107413069	1	Q TURN	
9	107417770	1	Schnell-Ladegerät LI-ION 500W 36V	
9+10	41600864	1	SCHNELLLADEGERÄT LI500W-EU	
9+10	41600865	1	BATTERY FAST CHARGER LI 500W - UK/CH	
9+10	41600867	1	BATTERY FAST CHARGER LI 500W - AUS-NZ	
9+10	41600868	1	BATTERY FAST CHARGER LI 500W - US	[1]
9+10	41600873	1	BATTERY CHARGER LI 500W - CN	
10	107418077	1	POWER CORD UK BC500	
10	107418076	1	POWER CORD EU BC500	
10	107418078	1	POWER CORD AUS/NZ BC500	
10	107418406	1	Netzkabel CH	
10	107418407	1	CORD CHARGER CN	
10	107418079	1	POWER CORD US BC500	
11	107418133	1	PLASTIC KIT VP600 BATTERY	
12	107413065	1	BUMPER KIT	
13	147 1040 500	1	Drehrad kompl. zuExtreme/GM 430	
14	107418130	1	WHEELS KIT FOR VP600B	
15	107418207	1	VP600 BATTERY COVER ASSEMBLY	
16	107418137	1	BATTERY DOCKING CPL	
17	9100002070	1	BATTERIE LI 36V 10S4P OHNE GRIFF	
15+17	41600869	1	BATTERY LI 36V 10S4P + VP600B BATT COVER	
	107417390	1	VP600B AUZ/NZ LABEL F.41600820	
	107417391	1	VP600B EU LABEL FOR 41600821	
	107417392	1	VP600B UK/CH LABEL F.41600822	
	107417393	1	VP600B US LABEL FOR 41600823	[2]

## Part Notes:

- [1] - 2020 ACCESSORY PRUNING  
 [2] - NEVER LAUNCHED



Pos.	Artikel-Nr.	Menge	Variante	Notes
1	147 0765 500	1	Saugschlauch kpl. Ø 32 mmx2,5 m	
1a	107417894	1	BENT END AND CONNECTOR FOR D32	
1b	107416215	1	HOSE CONNECTION ABS	
3	011 8130 500	1	Teleskoprohr Alu Ø 32 mm	
4	107417790	1	Kombibodendüse RD295P mit Clip	
5	140 6700 540	1	Hartbodendüse Ø 32 mm	
6	147 0585 500	1	Verstauklemme schwarz	
7	107408039	1	Fugendüse, schwarz	
8	140 8244 500	1	Pinseldüse Ø 32 mm	
9	107413077	1	Staubbeutel Papier, VPE 10	
10	147 1250 500	1	HEPA FILTER H13	



Pos.	Artikel-Nr.	Menge	Variante	Notes
	107418139	1	BOTTON KIT VP600 BATTERY	
	107418132	1	PCB KIT VP600 BATTERY	
	107413056	1	Einlegetuchfilter	
	107418129	1	MOTOR MODULE VP600 BATTERY	
	107418138	1	WIRE AND RUBBER ASSY VP600 B	
	107413069	1	Q TURN	
	107417770	1	Schnell-Ladegerät LI-ION 500W 36V	
	107418077	1	POWER CORD UK BC500	
	107418076	1	POWER CORD EU BC500	
	107418078	1	POWER CORD AUS/NZ BC500	
	107418406	1	Netzkabel CH	
	107418407	1	CORD CHARGER CN	
	147 1040 500	1	Drehrad kompl. zuExtreme/GM 430	
	107418130	1	WHEELS KIT FOR VP600B	
	107418207	1	VP600 BATTERY COVER ASSEMBLY	
	9100002070	1	BATTERIE LI 36V 10S4P OHNE GRIFF	



