



☎@07351-5758060

kontakt@nilfisk-alto-shop.com



Preisabfrage bzw. Bestellungen der Artikel im Shop unter

www.nilfisk-alto-shop.com

einfach die Artikelnummer in die Suchmaske eingeben

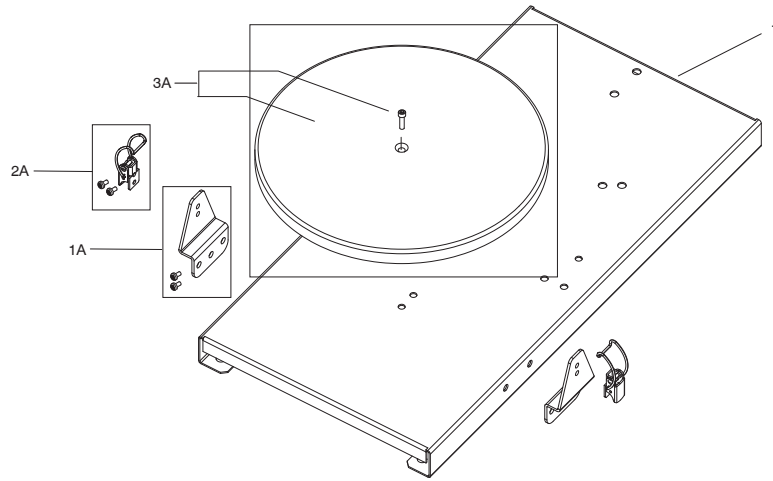
(Bitte die Artikelnummer ohne Leerzeichen eingeben)

PARTS LIST

2021.12.28

TABLE OF CONTENTS

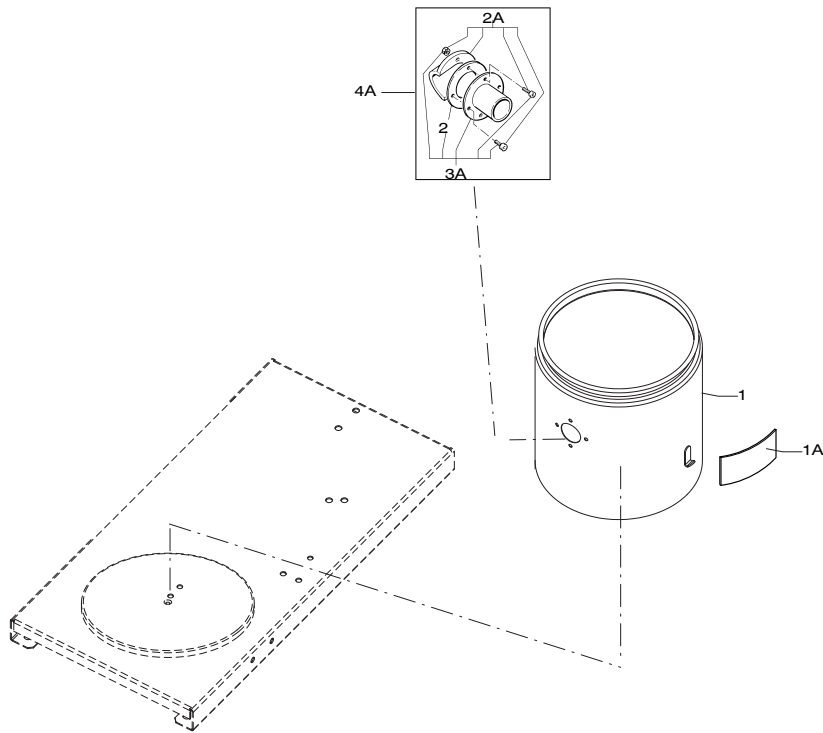
L221 - 1 - FRAME	1
L221 - 2 - CONTAINER UNIT	3
L221 - 3 - FILTER GROUP	5
L221 - 4 - FILTER GROUP	7
L221 - 5 - SUCTION UNIT	9
L221 - 6 - ELECTRIC SYSTEM	11
L221 - 7 - ELECTRIC SYSTEM	13



Pos.	Artikel-Nr.	Menge	Variante	Notes
1	4083600814	1	BASE HORIZONTAL VHW200-210 FE	
1A	4089100658	2	HOOK SUPPORT KIT VHW210	[1]
2A	4089100684	2	KIT LEVER LOCK FOR CONTAINER VHW SS	
3A	4089100710	1	KIT GUIDE BOTTOM D220 ZINC PLATED	

Part Notes:

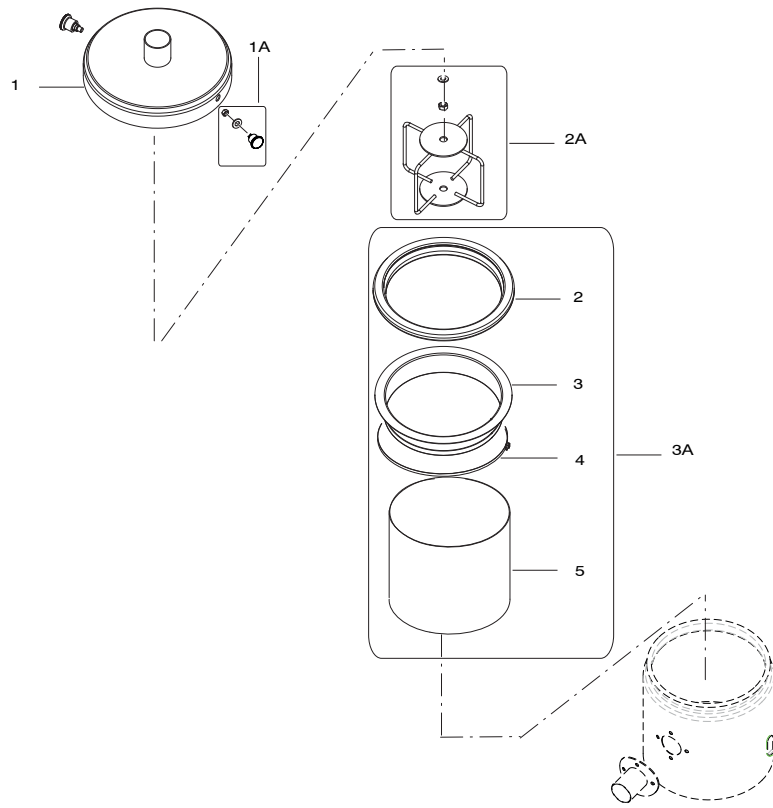
[1] - CONTACT PM IN ZOCCA



Pos.	Artikel-Nr.	Menge	Variante	Notes
1	4083000791	1	CONTAINER D220 VHW R9003	
1	4083000792	1	CONTAINER D220 VHW SS	
2	Z8 17004	1	Anschlußdichtung D40	
1A	4089100711	1	LABELS KIT VHW200	
2A	40000400	1	KIT DEFLECTOR D40 FE	
2A	40000402	1	KIT DEFLECTOR D40 INOX	[1]
3A	40000399	1	KIT INLET FE D40	
3A	40000401	1	KIT INLET INOX D40	[1]
4A	40000385	1	KIT COMPLETE INLET FE D40	
4A	40000386	1	KIT COMPLETE INLET INOX D40	[2]
NS	4083000805		CONT. COMP. D220 R9003 VHW200	
NS	4083000934		CONT.COMP.D220 SS ATEX VHW200 AU CAB.GR.	

Part Notes:

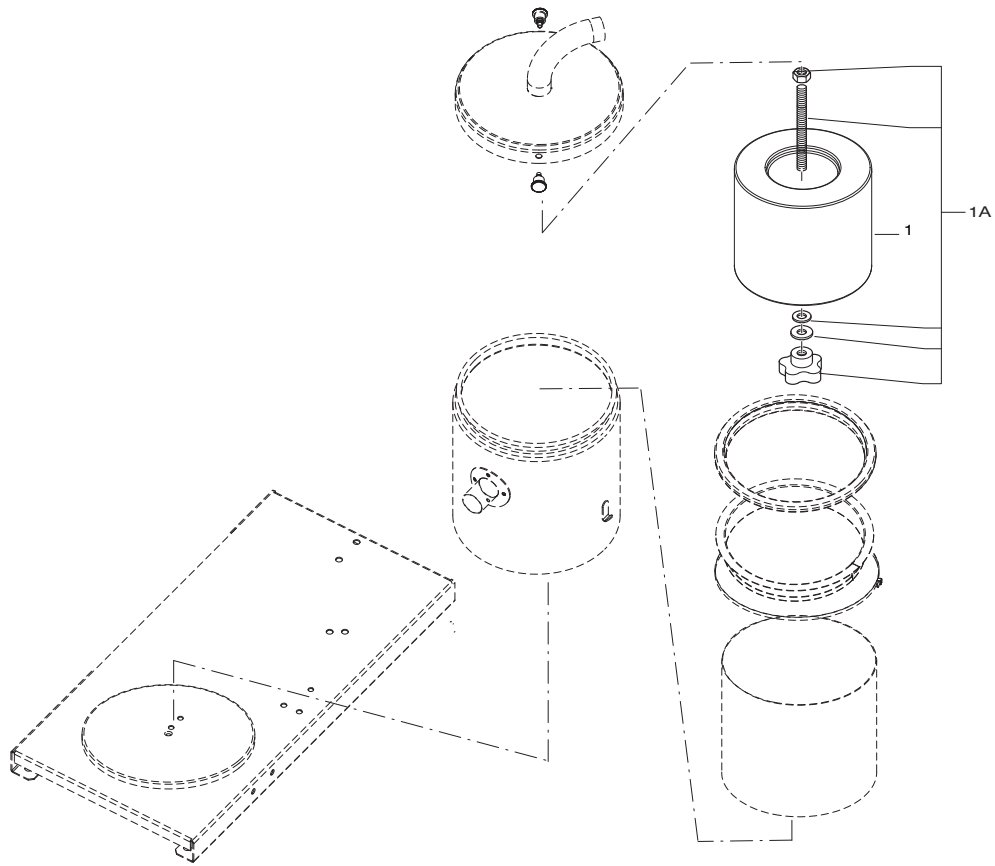
- [1] - GUARANTEE DATE EXPIRED
[2] - CONTACT PM IN ZOCCA



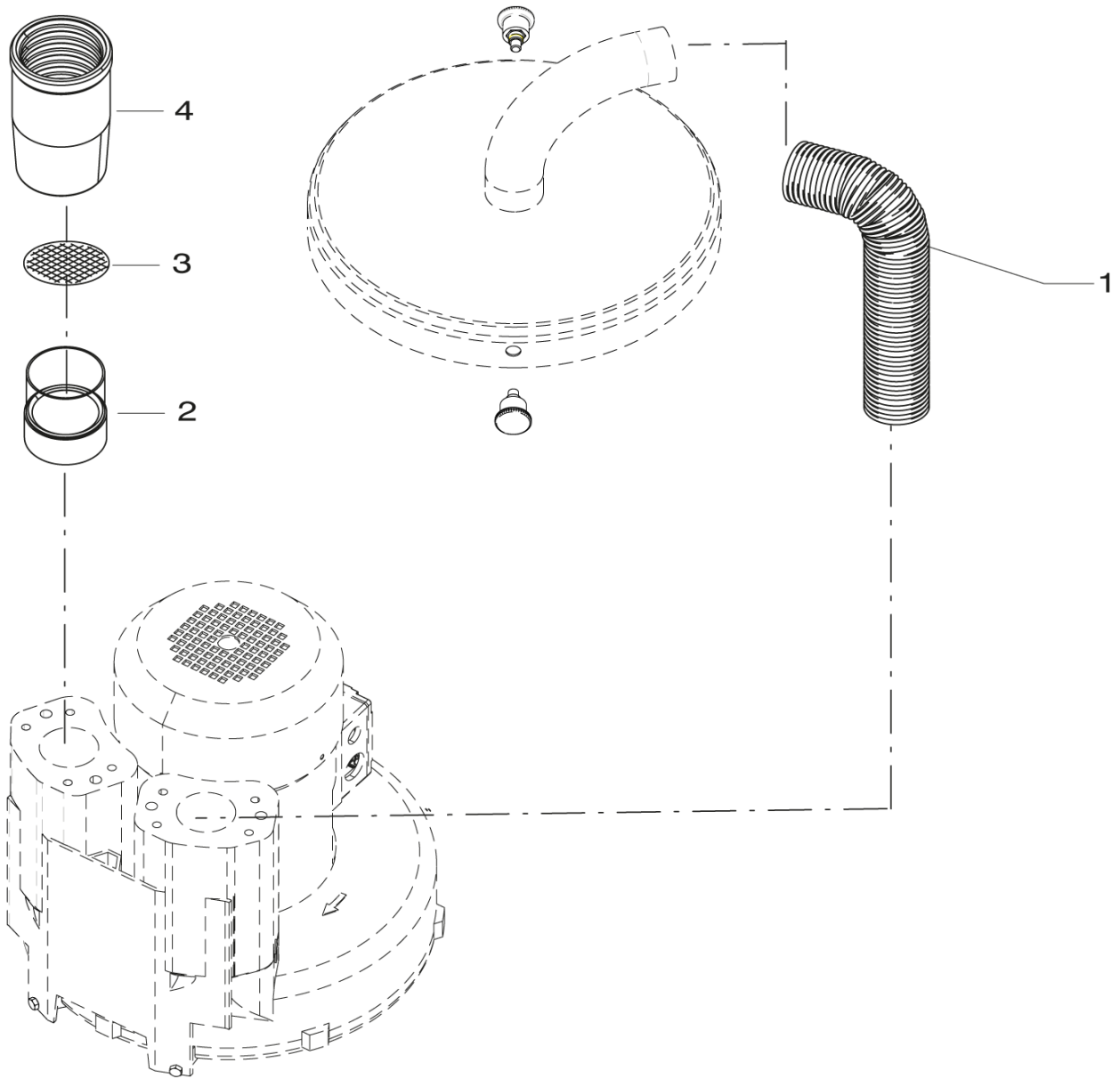
Pos.	Artikel-Nr.	Menge	Variante	Notes
1	4083101382	1	LID D220 VHW R9003	
1	4083101383	1	LID D220 VHW SS	
2	4081701124	1	FILTER RING GASKET D220 VHW	
2	4081701125	1	FILTER RING GASKET D220 VHW SILICONE	
3	4081500254	1	Filterring D220 FE	
3	4081500255	1	FILTER RING D220 VHW SS	[1]
4	Z8 18076	1	Filterschelle	
5	Z8 17036	1	Taschenfilter Ø220mm Polyester	
1A	4089100662	1	POSITIONING PISTON SPRING KIT VHW210	
2A	4089100712	1	KIT CAGE VHW200	
2A	4089100713	1	KIT CAGE SS VHW200	
3A	4083300414	1	Filter komplett D220	
3A	4083300416	1	FILTER COMPLETE D220 VHW SS	
NS	4081801383	1	FILTER BLOCK TIE D220 SS AISI304	[1]

Part Notes:

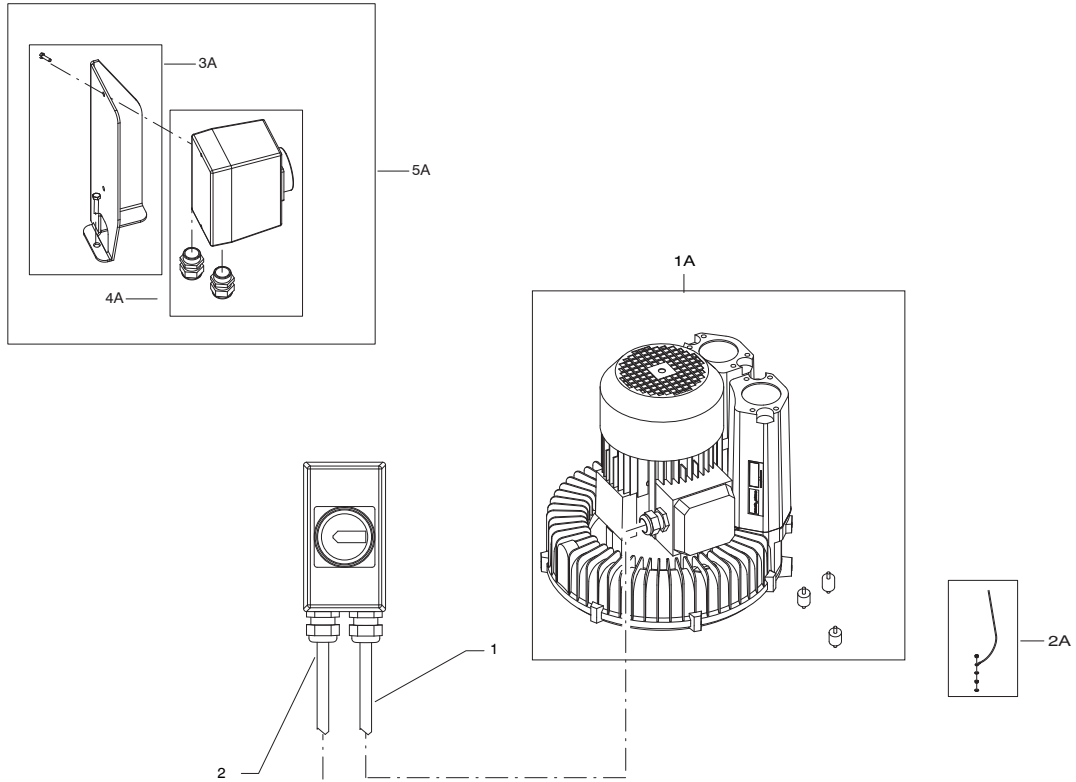
[1] - CONTACT PM IN ZOCCA



Pos.	Artikel-Nr.	Menge	Variante	Notes
1	Z8 17262	1	Absolutfilter AD VHW360/3VT H14	
1A	4089100665	1	Absolutfilter AU VHW210	



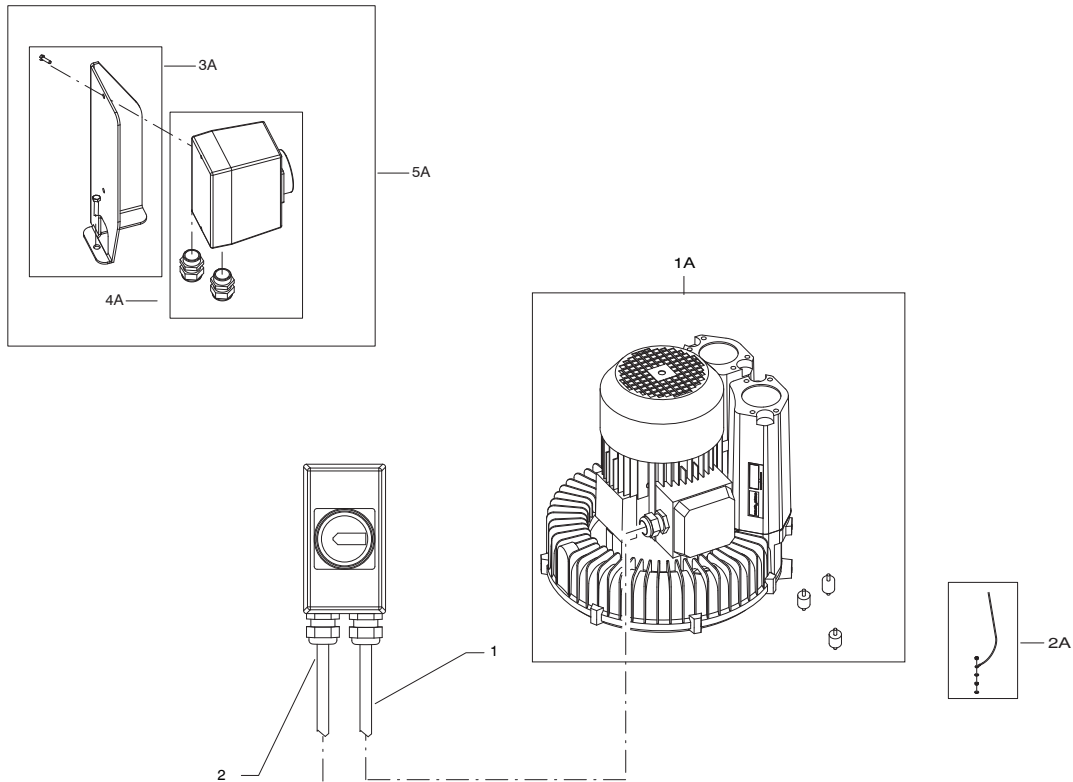
Pos.	Artikel-Nr.	Menge	Variante	Notes
1	4089100703	1	HOSE KIT VHWHOSE KIT VHW	
2	4083200812	1	FITTING D40 1 1/4 50MM	
3	Z8 13064	1	Netz D80	
4	Z7 20001	1	Zwischenstück Gummi Ø 40	



Pos.	Artikel-Nr.	Menge	Variante	Notes
1	Z8 391079	1	Kabel	
2	4083901674	1	CABLE SUP.4G2,5 FROR.6 M BLADE TERMINAL	[1]
1A	4089100714	1	SUCTION UNIT KIT VHW200	
2A	40000877	1	GROUND CABLE KIT	[1]
3A	4089100666	1	E.B. SUPPORT PLATE KIT VHW210	[1]
4A	4089100716	1	E.B. KIT VHW200	[1]
5A	4089100717	1	E.B. KIT COMPLETE VHW200	[1]

Part Notes:

[1] - CONTACT PM IN ZOCCA



Pos.	Artikel-Nr.	Menge	Variante	Notes
1	Z8 391079	1	Kabel	
2	4083901674	1	CABLE SUP.4G2,5 FROR.6 M BLADE TERMINAL	[1]
1A	4089100715	1	SUCTION UNIT KIT VHW200/210 SINGLE-PHASE	
2A	40000877	1	GROUND CABLE KIT	[1]
3A	4089100666	1	E.B. SUPPORT PLATE KIT VHW210	[1]
4A	4089100716	1	E.B. KIT VHW200	[1]
5A	4089100717	1	E.B. KIT COMPLETE VHW200	[1]

Part Notes:

[1] - CONTACT PM IN ZOCCA

