

 **Nilfisk**[®]

 07351-5758060

kontakt@nilfisk-alto-shop.com



 **Heine**
Vertriebs-GmbH

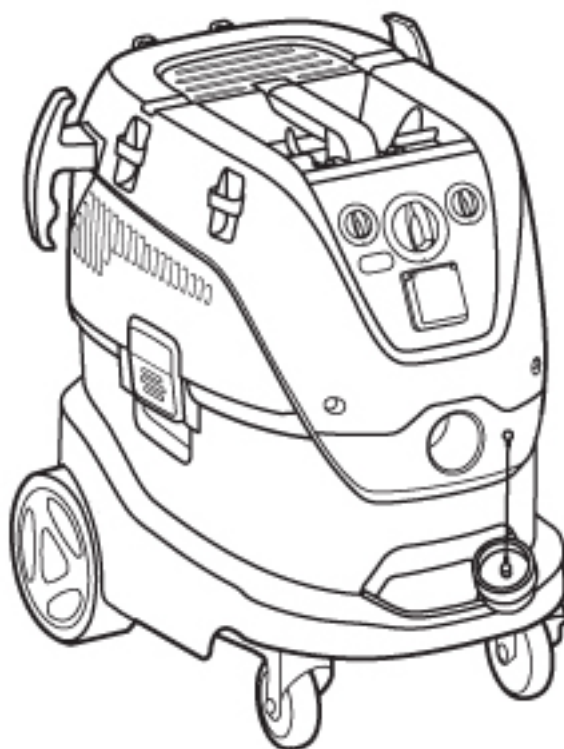
Preisabfrage bzw. Bestellungen der Artikel im Shop unter

www.nilfisk-alto-shop.com

einfach die Artikelnummer in die Suchmaske eingeben

(Bitte die Artikelnummer ohne Leerzeichen eingeben)

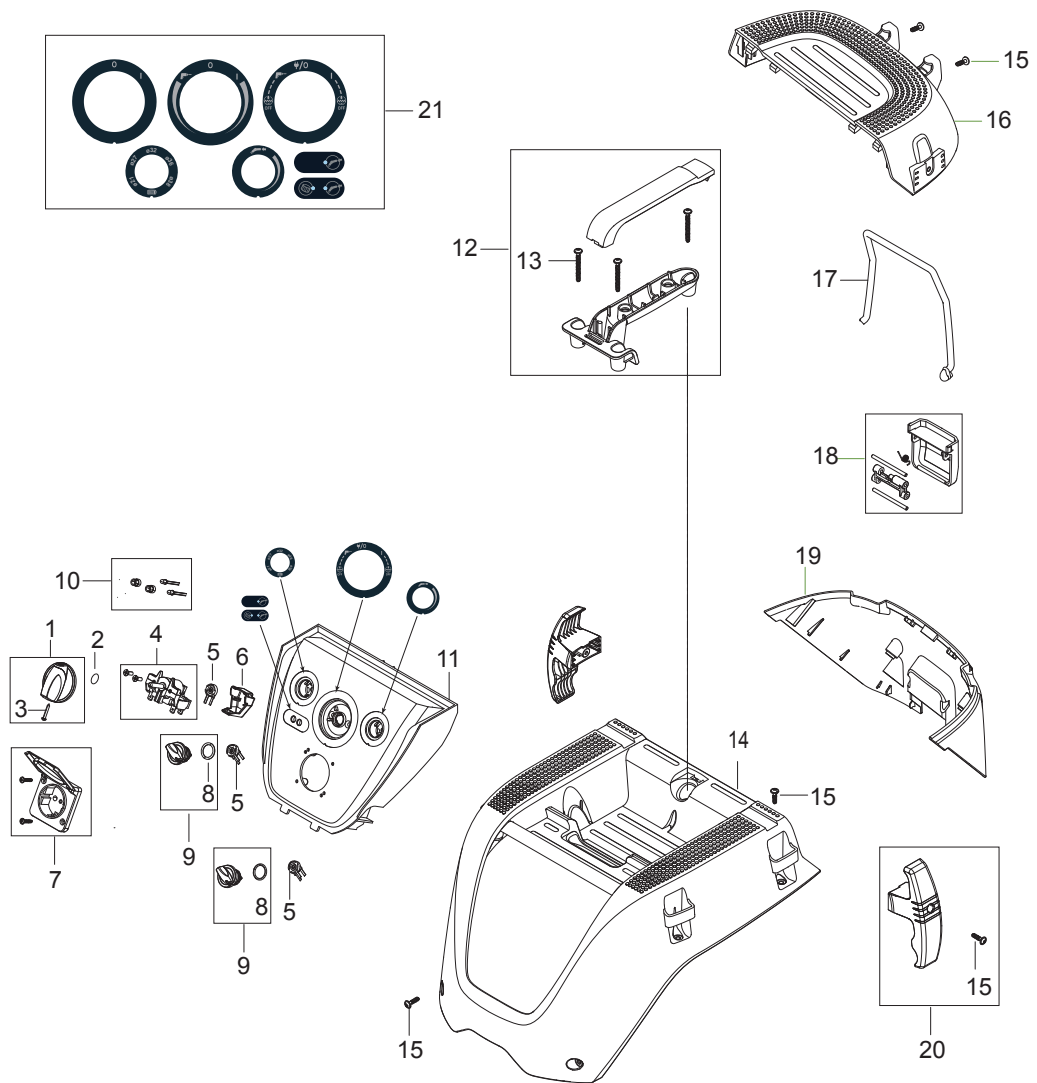
PARTS LIST



2017.08.16

TABLE OF CONTENTS

Cabinet and control panel VHS 42 IC H-M	1
Cabinet and control panel VHS 42 PC H-M	3
Filter system IC	5
Filter system PC	7
Suction unit H-M	9
Base_H class	11
Container 30L	13
Container 42L	15
Accessories 1	17
Filter and bags	19
Hoses, tubes and nozzles	21
Airbox	23

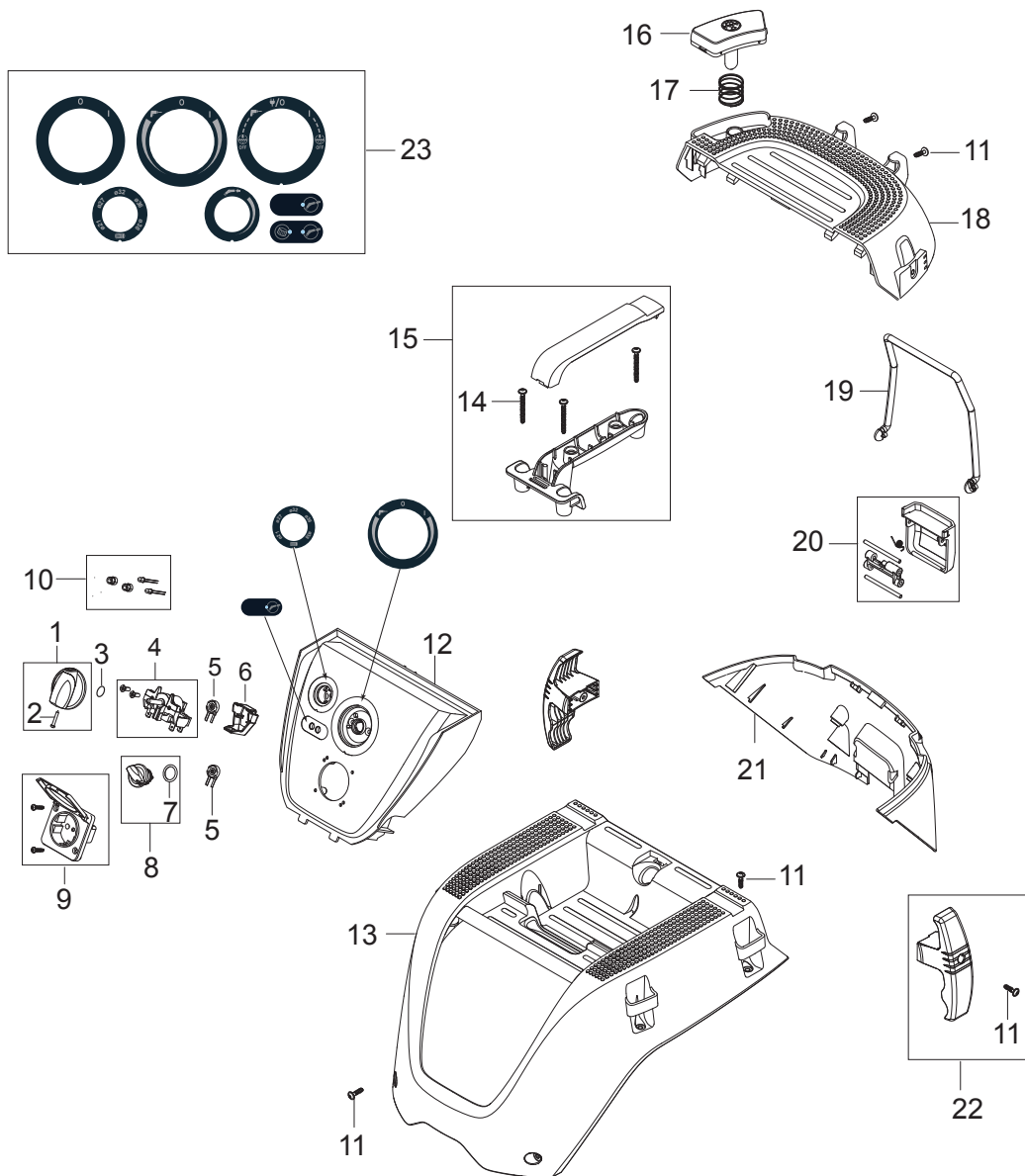


Pos.	Artikel-Nr.	Menge	Variante	Notes
1	909100239	1	TURNING KNOB GR.1 D6X5	
2	32526	1	Schraube BL- 2,9X19 B	
3	9868	1	O-Ring 10x2,5	
4	107415085	1	ROTARY SWITCH 5 POS 16A	
5	107415024	3	POTENTIOMETER W. WIRE	
6	107415080	1	CAP FOR POT-METER	
7	302004034	1	Steckdose	
7	302001185	1	Steckdose 2-poligPE 10A	
8	3004221	2	O-RING 16X2 NITRIL 70 SHORE	
9	107415062	2	TURNING KNOB D28 BLACK	
10	107415087	1	LED INDICATOR KIT 2 PCS.	
11	107417561	1	CONTROL PANEL 21 IC M-H RAL 7001	
12	107415038	1	HANDLE KIT BLACK	
13	128500203	3	Schraube K50x45 WN1451	
14	107417557	1	TOP COVER RAL 7016 W. PRINT VHS 42	
15	302004029	17	SCREW 5X18	
16	107417554	1	HATCHBACK UPPER COVER IC RAL 7016	
17	107415035	1	CORD STRAP KIT	
18	107418122	1	HATCH DOOR CLAMP 2X SPRING KIT BLACK	[1]
18	107415032	1	HATCH DOOR CLAMP KIT BLACK	[2]
19	107417555	1	HATCHBACK LOWER COVER RAL 7016	
20	107415083	2	Halter	
21	107415077	1	LABEL KIT FOR CONTROL PANEL 7 PCS.	

Part Notes:

- [1] - STOCK COVERS GUARANTEE
For machines produced before November 18th 2016. Serial number 3510164605816
- [2] - For machines produced from November 18th 2016. Serial number 3510164605816

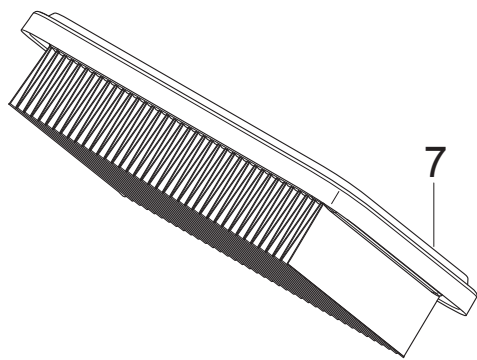
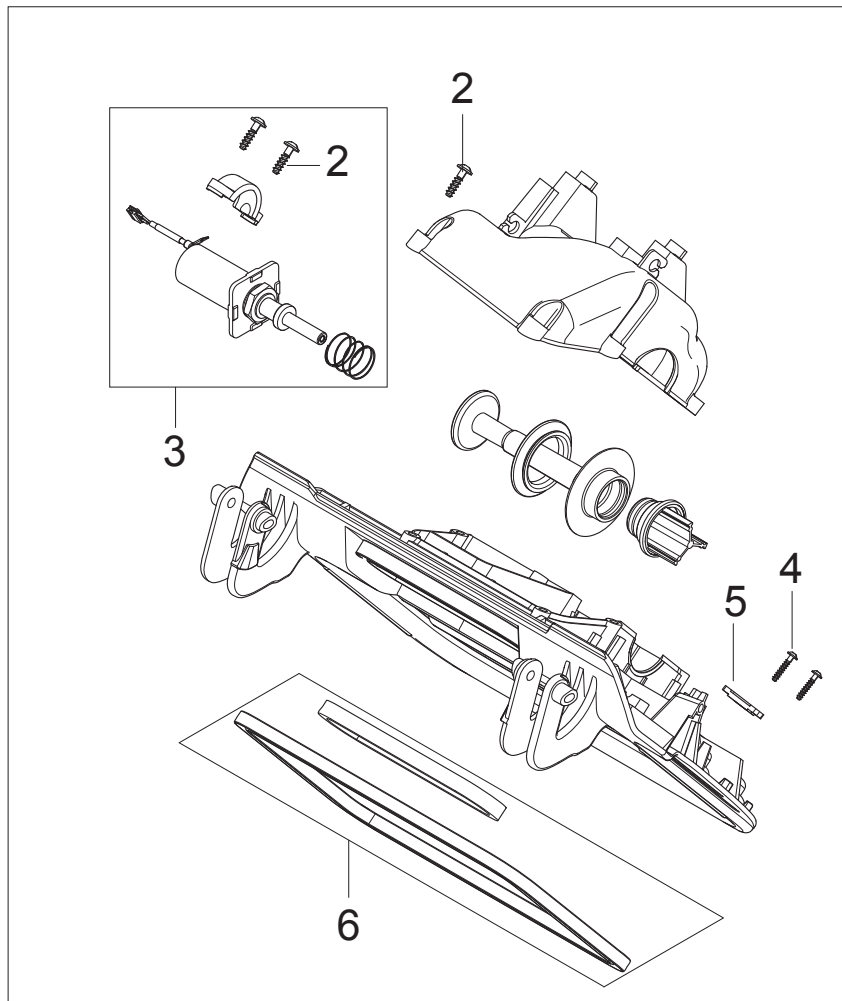
2M-PC



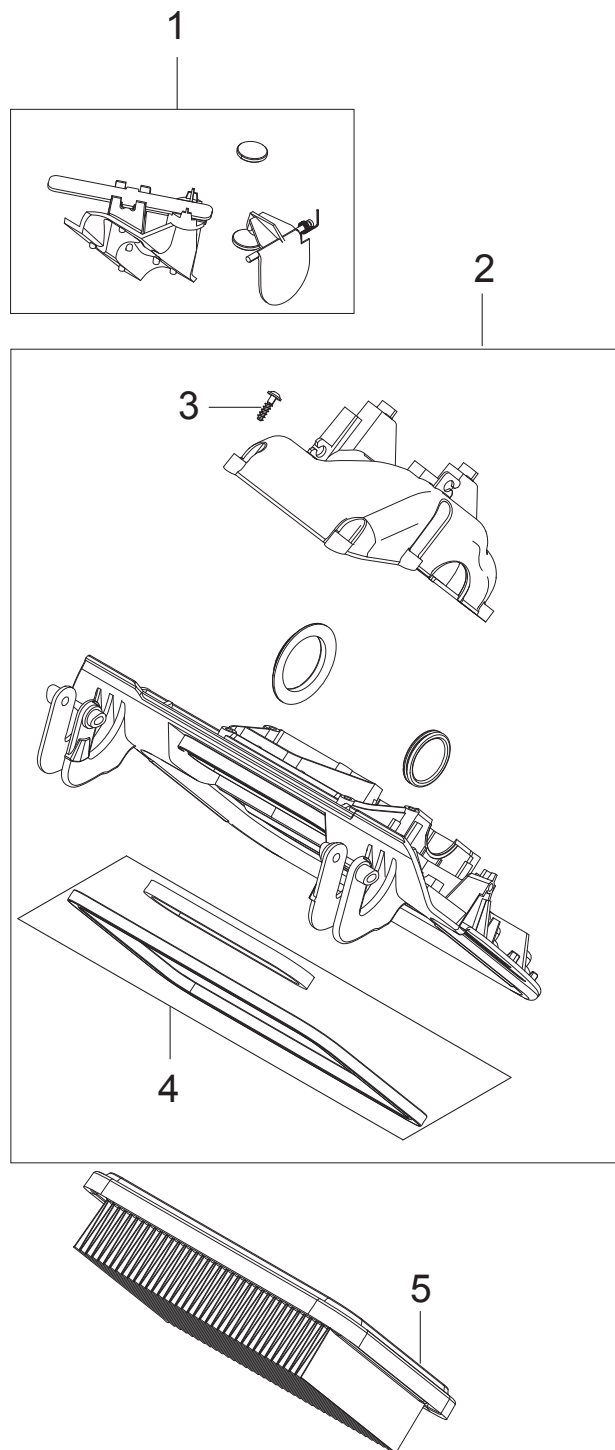
Pos.	Artikel-Nr.	Menge	Variante	Notes
1	909100239	1	TURNING KNOB GR.1 D6X5	
2	32526	1	Schraube BL- 2,9X19 B	
3	9868	1	O-Ring 10x2,5	
4	107415076	1	ROTARY SWITCH 3 POS 16A	
5	107415024	2	POTENTIOMETER W. WIRE	
6	107415080	1	CAP FOR POT-METER	
7	3004221	1	O-RING 16X2 NITRIL 70 SHORE	
8	107415062	1	TURNING KNOB D28 BLACK	
9	302004034	1	Steckdose	
9	302001185	1	Steckdose 2-poligPE 10A	
10	107415087	1	LED INDICATOR KIT 2 PCS.	
11	302004029	17	SCREW 5X18	
12	107417556	1	CONTROL PANEL 21 PC M-H RAL 7001	
13	107417557	1	TOP COVER RAL 7016 W. PRINT VHS 42	
14	128500203	3	Schraube K50x45 WN1451	
15	107415038	1	HANDLE KIT BLACK	
16	107417558	1	PC-BUTTON RAL 7001	
17	107411345	1	SPRING FOR BUTTON	
18	107417549	1	HATCHBACK UPPER COVER PC RAL 7016	
19	107415035	1	CORD STRAP KIT	
20	107415032	1	HATCH DOOR CLAMP KIT BLACK	[1]
20	107418122	1	HATCH DOOR CLAMP 2X SPRING KIT BLACK	[2]
21	107417555	1	HATCHBACK LOWER COVER RAL 7016	
22	107415083	1	Halter	
23	107415077	1	LABEL KIT FOR CONTROL PANEL 7 PCS.	

Part Notes:

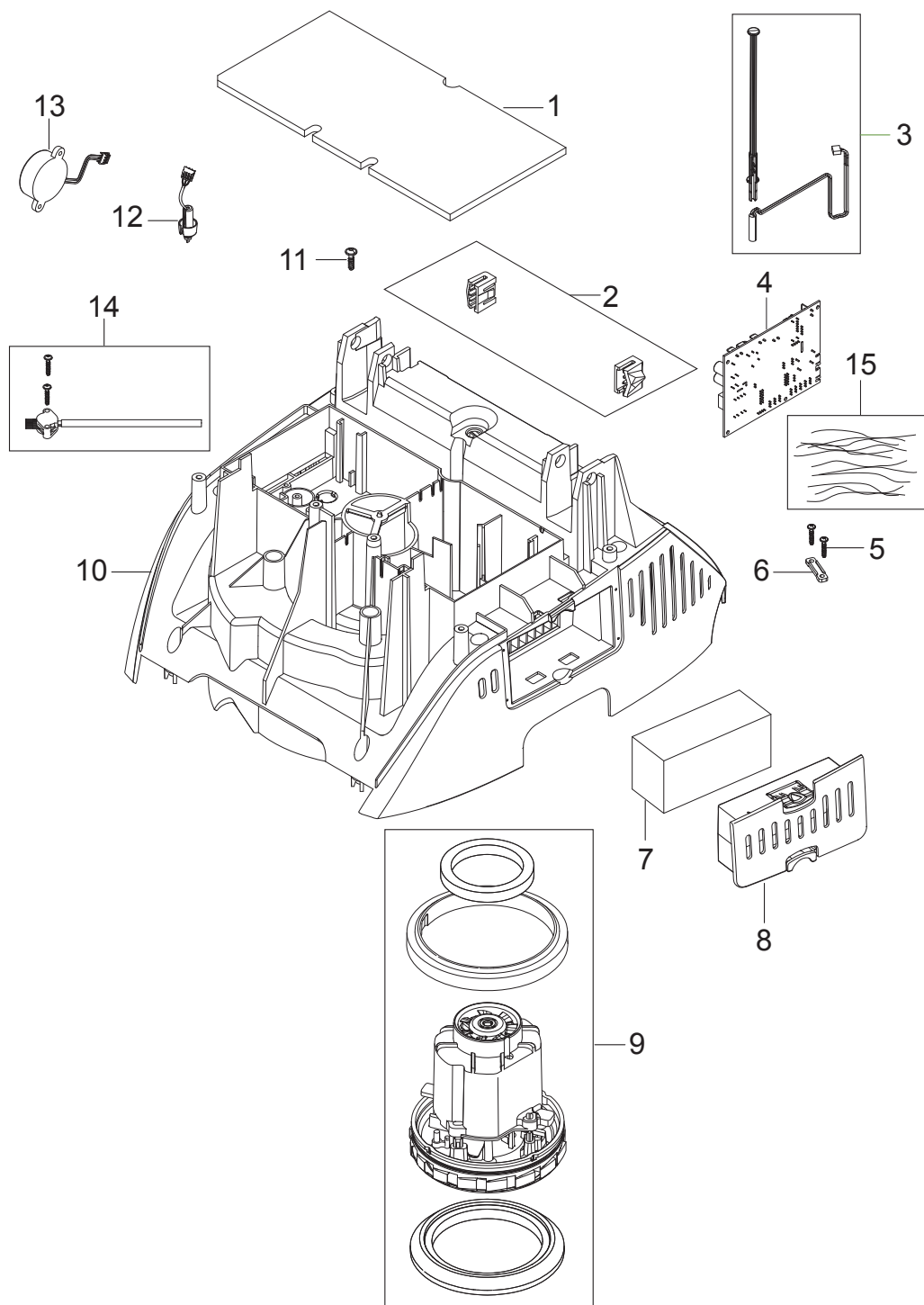
- [1] - For machines produced from November 18th 2016. Serial number 3510164605816
- [2] - STOCK COVERS GUARANTEE
For machines produced before November 18th 2016. Serial number 3510164605816



Pos.	Artikel-Nr.	Menge	Variante	Notes
1	107415027	1	HATCH DOOR FRAME WITH SEALING IC	
1	107417859	1	HATCH DOOR FRAME W. SEALING 100-120V IC	
2	302004029	15	SCREW 5X18	
3	107415031	1	Solenoid Kit 230 V	
3	107415079	1	SOLENOID KIT 100-120V	
4	302004032	2	Schraube 3.5X18	
5	5697	1	Kabelschelle	
6	107415090	1	HATCH DOOR FILTER GASKET KIT	
7	107413540	1	Flachfaltenfilterelement PTFE M-Klasse A	



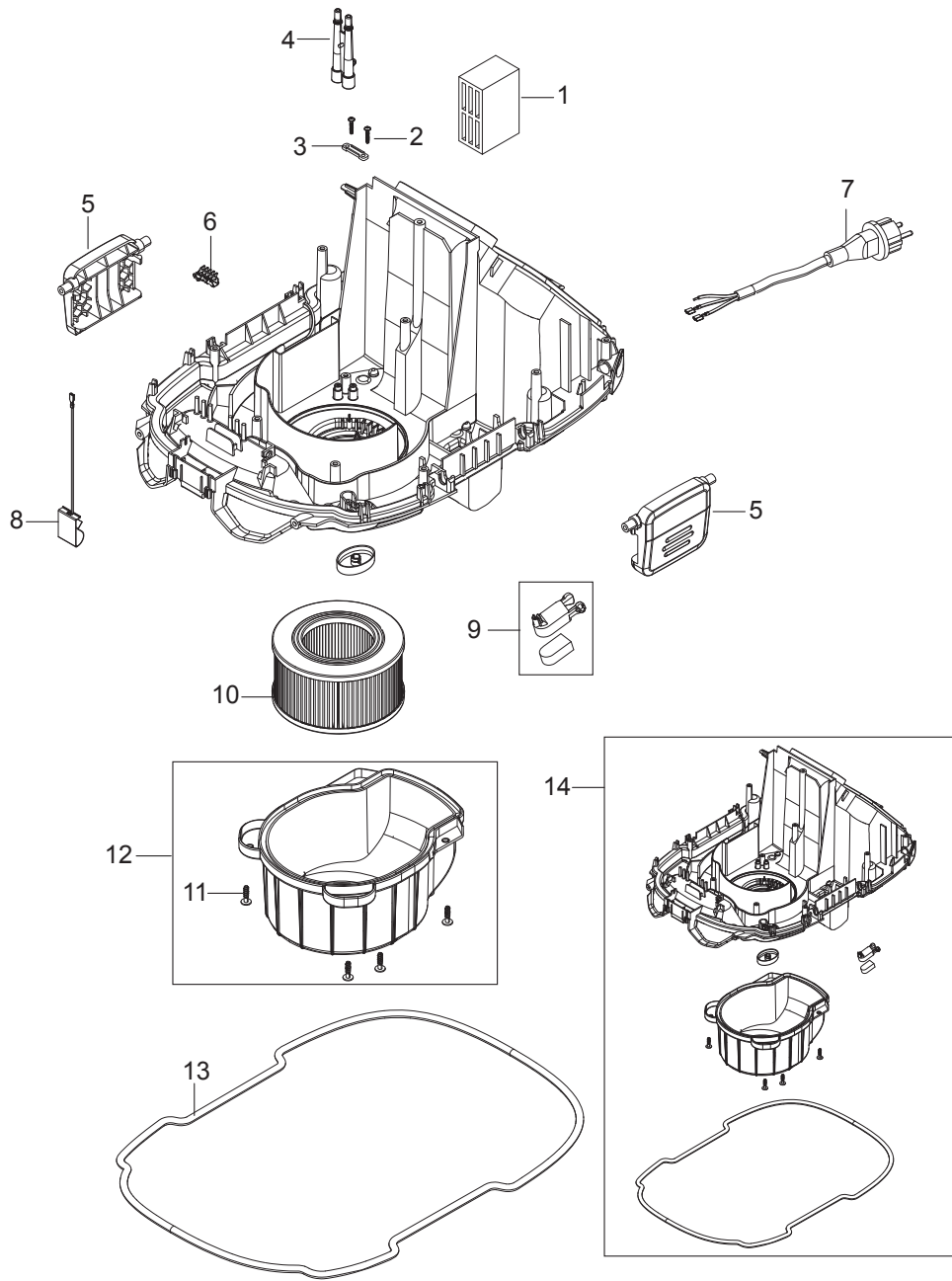
Pos.	Artikel-Nr.	Menge	Variante	Notes
1	107415064	1	PC FLAP-LEVER KIT	
2	107415026	1	HATCH DOOR FRAME WITH SEALING PC	
3	302004029	7	SCREW 5X18	
4	107415090	1	HATCH DOOR FILTER GASKET KIT	
5	107413540	1	Flachfaltenfilterelement PTFE M-Klasse A	



Pos.	Artikel-Nr.	Menge	Variante	Notes
1	107417101	1	FOAM SEALING 298X148	
2	107415075	1	HATCH DOOR HINGE SNAP 2 PCS.	
3	107415060	1	REED SENSOR WITH APPLICATOR	
4	107415059	1	PCBA AUTO ON/OFF M 1M1S P3 220-240V	[1]
4	107417103	1	PCBA AUTO ON/OFF AFC M 1M1S P3 220-240V	[2]
4	107417105	1	PCBA AUTO ON/OFF H 1M1S P3 220-240V	[3]
4	107417106	1	PCBA AUTO ON/OFF AFC H 1M1S P3 220-240V	[4]
5	302004032	2	Schraube 3.5X18	
6	302004030	1	Lasche	
7	107415096	1	DIFFUSOR 55X115X45 BLACK	
8	107417564	1	COVER F. MOTORCOOLING FILTER RAL 7016	
9	107415055	1	MOTOR KIT 1200W 220-240V 50/60HZ	
10	107417855	1	AIRGUIDE M/H RAL 7016	
11	302004029	9	SCREW 5X18	
12	107416952	1	FLOW SENSOR W. WIRE KIT	
13	107416958	1	BUZZER KIT1	
14	107417111	1	PRESSURE SENSOR KIT	
15	107417863	1	WIRE/CAPACITOR KIT6	

Part Notes:

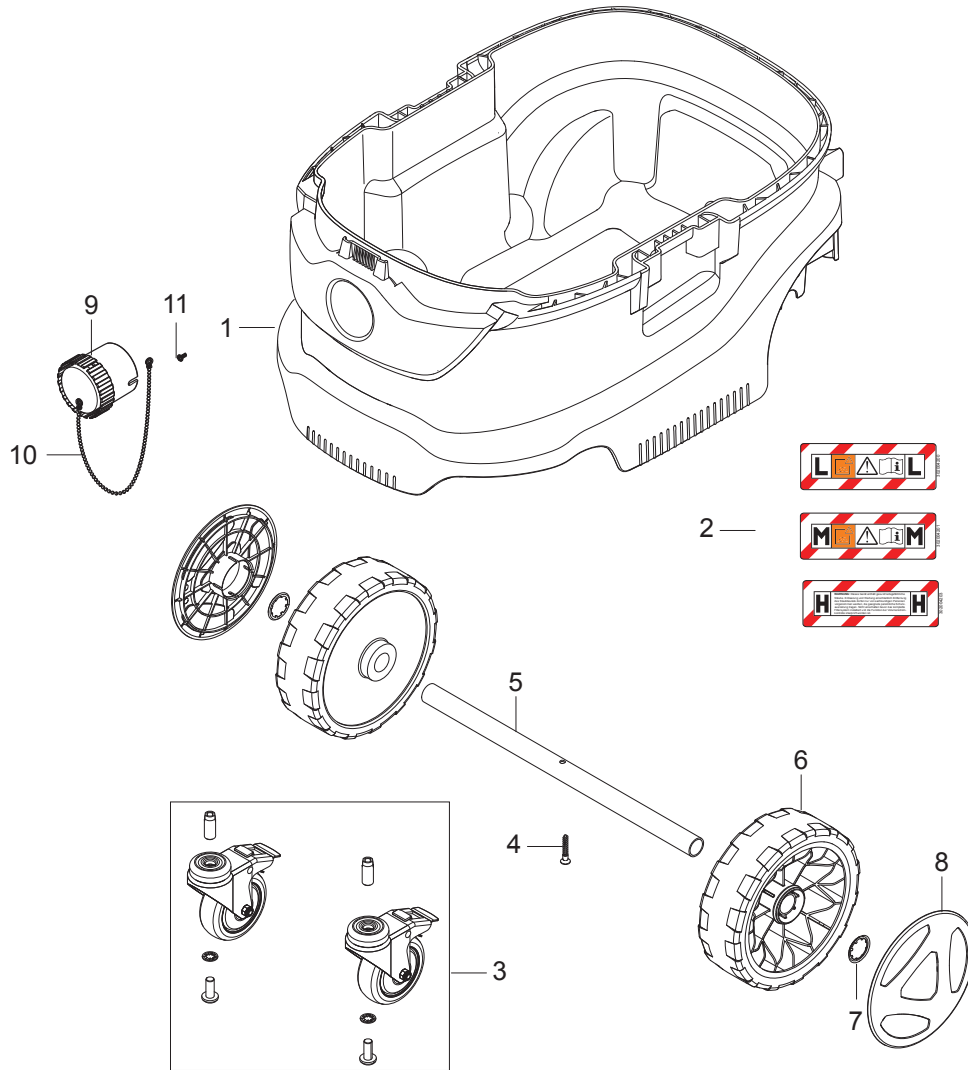
- [1] - 2M PC 220-240V 50/60HZ
- [2] - 2M IC 220-240V/50-60HZ
- [3] - 2H PC 220-240V 50/60HZ
- [4] - 2H IC 220-240V 50/60HZ



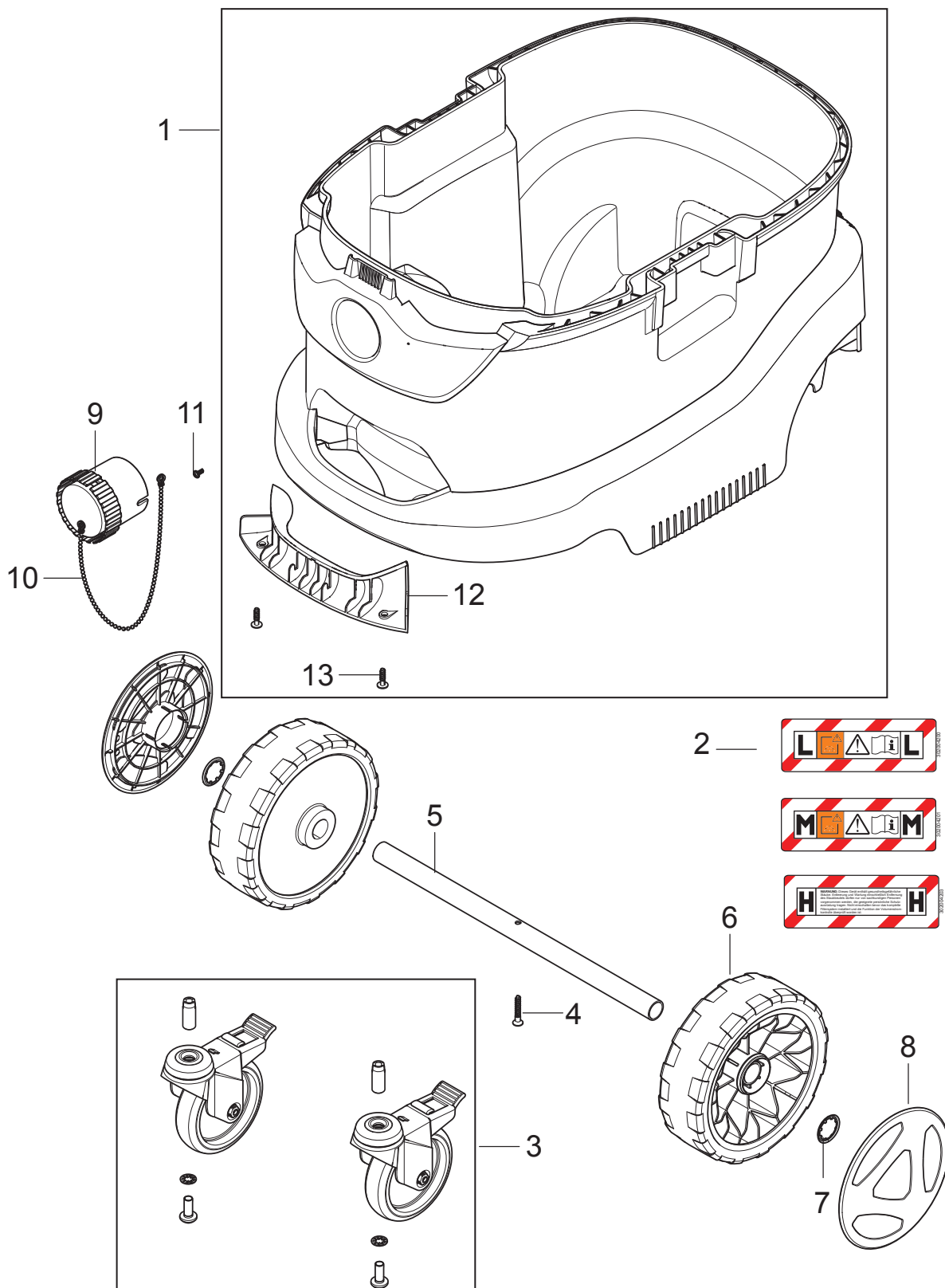
Pos.	Artikel-Nr.	Menge	Variante	Notes
1	107417112	1	SOUND ABSORBER 83X55X35	
2	302004032	2	Schraube 3.5X18	
3	302004030	1	Lasche	
4	107417115	1	BY-PASS AIR CHANEL	
5	107415053	2	CONTAINER CLAMP BLACK	
6	302004031	1	Steckverteiler	
7	107400573	1	Anschlussleitung Europa	[1]
7	302004333	1	POWER CORD H05RR-F 3G1.5X8.4 AS3112 -AU	[2]
8	107417113	1	CONTACT SPRING W. WIRE	
9	107415063	1	FLOATER WITH MAGNET	
10	107413555	1	HEPA Filterkassette - Staubklasse H	
11	107418183	4	SCREW M6X12 PAN HD PHIL SS ISO7045 KIT	
12	107413542	1	Abdeckung HEPA-Filterelement	
13	107415050	1	CONTAINER SEALING	
14	107417117	1	BASE PLATE ASSEMBLY H-CLASS KIT	

Part Notes:

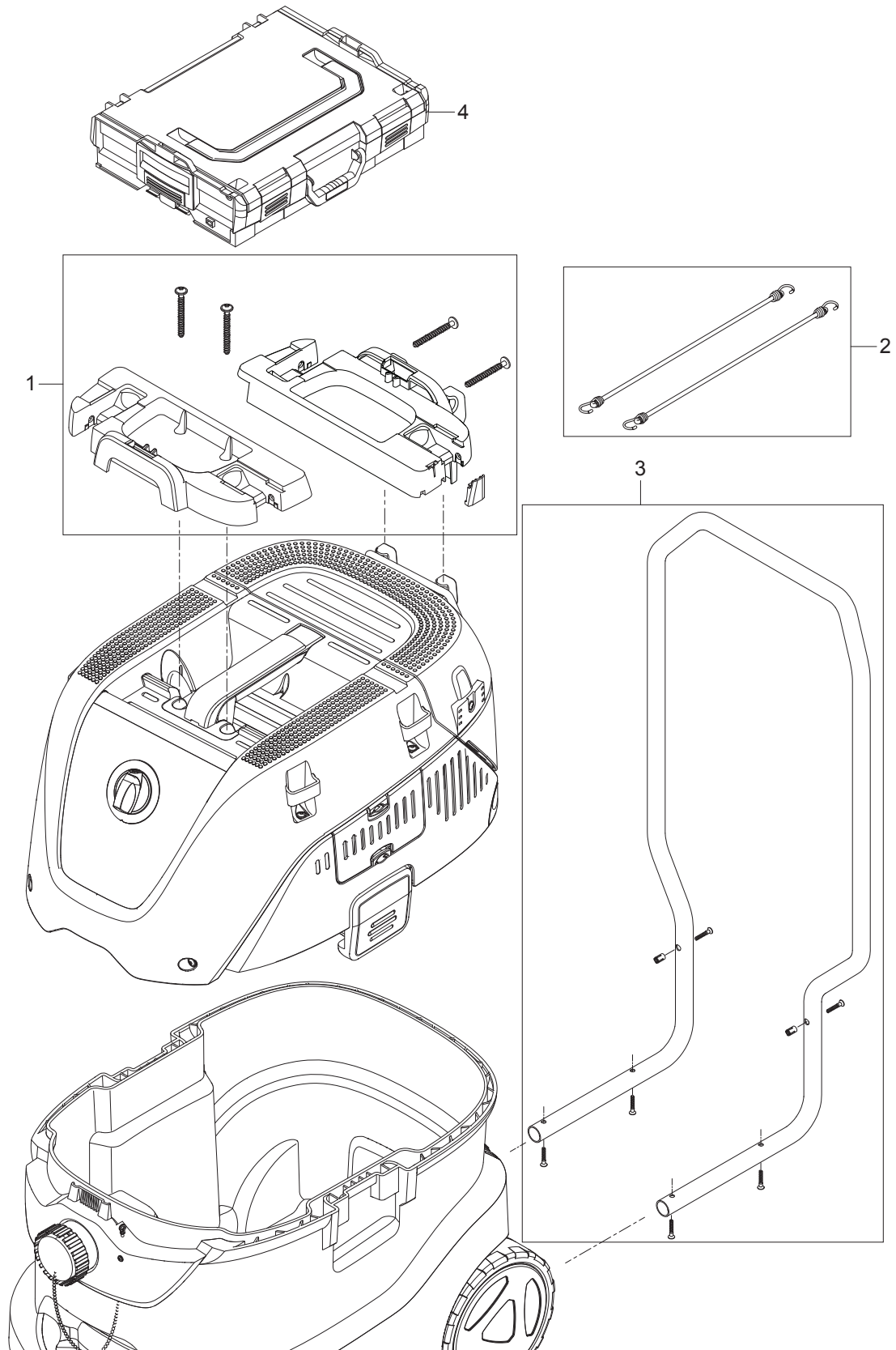
- [1] - 220-240V 50/60HZ EU
 [2] - 220-240V 50/60HZ AU/NZ



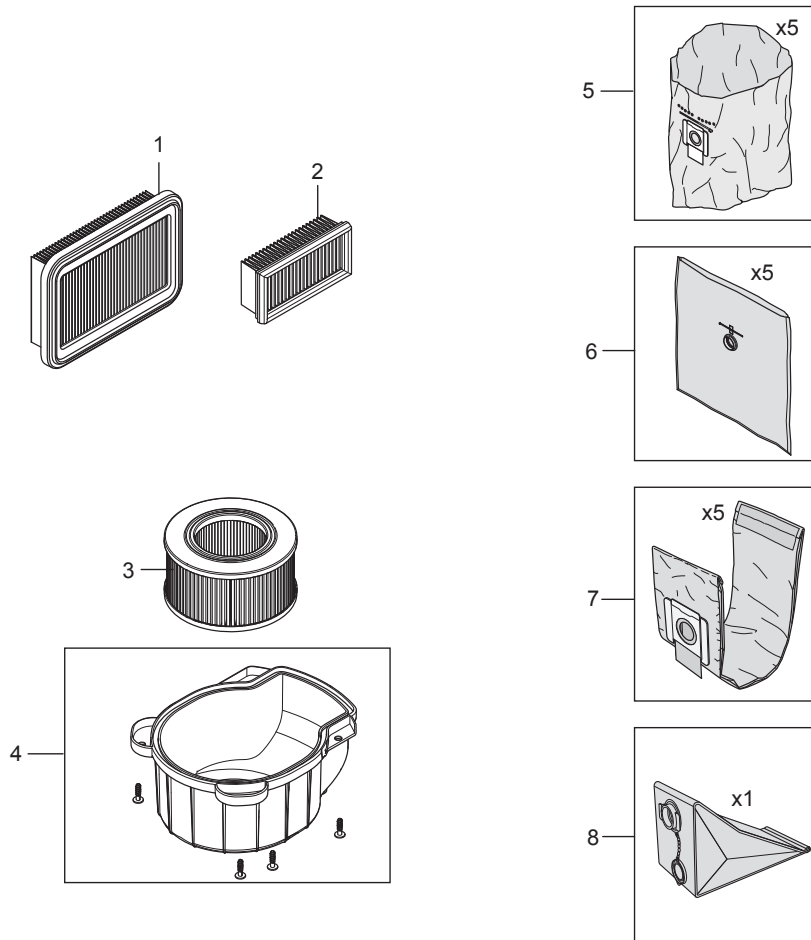
Pos.	Artikel-Nr.	Menge	Variante	Notes
1	107417568	1	CONTAINER 30L RAL 7001	
1	107417569	1	CONTAINER 30L SAFETY H RAL 7001	
2	107417119	1	LABEL DUSTCLASS L 130X44 PVC	
2	107401291	1	SP-Label	
2	107401548	1	Aufkleber Staubklasse H	
3	107417120	1	CASTOR WHEEL D75 WITH BRAKE 2 PCS.	
4	107417864	1	SCREW WN1423 K50X35 BLACK TORX KIT	
5	302004022	1	Achse	
6	107417121	2	Rad D175 schwarz	
7	47302	2	Sich. Ring ¥ 28.6/ ¥20x	
8	107417570	2	WHEEL CAP D145 RAL 7001	
9	14775	1	Stopfen	
10	30081	1	Kette für Blindstopfen	
11	24738	1	Schraube 3.5 x 8	



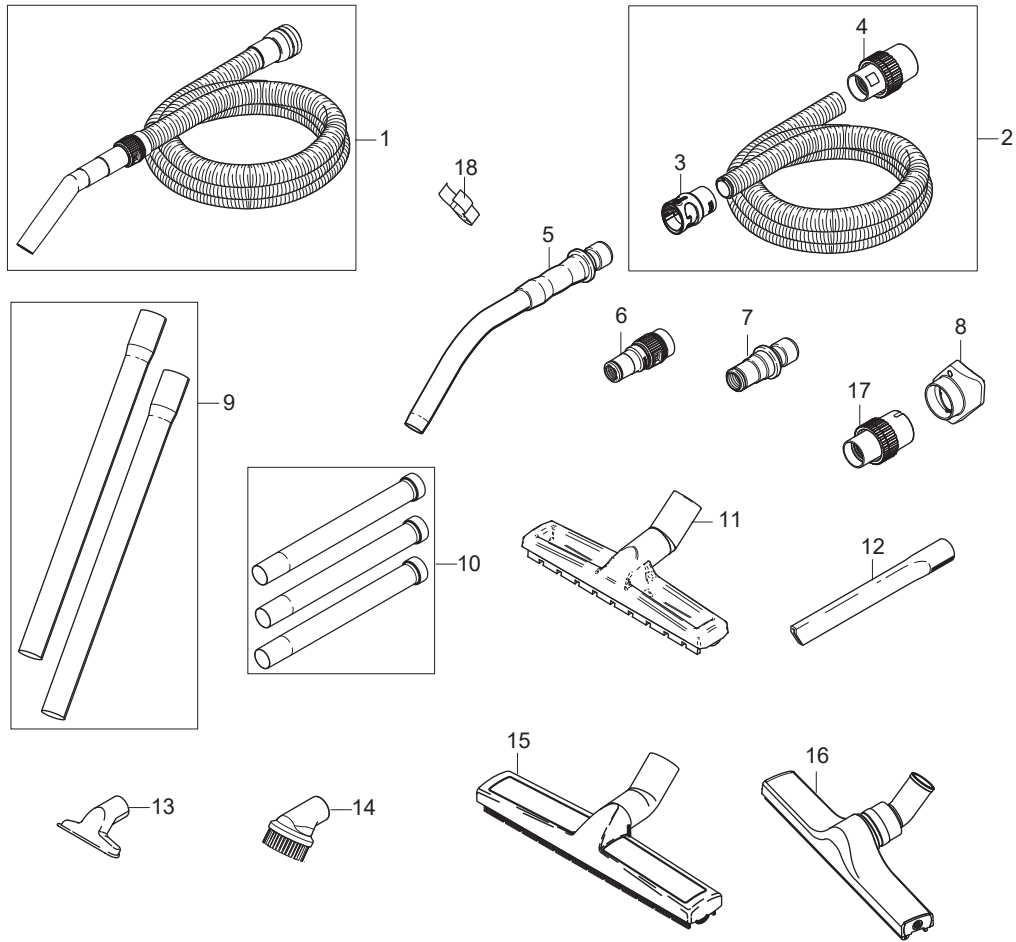
Pos.	Artikel-Nr.	Menge	Variante	Notes
1	107417571	1	CONTAINER 42L KIT RAL 7001	
1	107417572	1	CONTAINER 42L KIT SAFETY H RAL 7001	
2	107417119	1	LABEL DUSTCLASS L 130X44 PVC	
2	107401291	1	SP-Label	
2	107401548	1	Aufkleber Staubklasse H	
3	107417573	1	Rollen 2 PCS	
4	107417864	1	SCREW WN1423 K50X35 BLACK TORX KIT	
5	302004022	1	Achse	
6	107417121	2	Rad D175 schwarz	
7	47302	2	Sich. Ring ¥ 28.6/ ¥20x	
8	107417570	2	WHEEL CAP D145 RAL 7001	
9	14775	1	Stopfen	
10	30081	1	Kette für Blindstopfen	
11	24738	1	Schraube 3.5 x 8	
12	107417124	1	HANDLE INNER FOR CONTAINER 42L BLACK	
13	302004029	2	SCREW 5X18	



Pos.	Artikel-Nr.	Menge	Variante	Notes
1	107413551	1	Adapterplatte für Werkzeugbox (L-Boxx, T	
2	107413553	1	FLEXIBLE STRAP SET 2 PCS	
3	107413552	1	Schubbügel -Trolleyhandgriff ATTIX 33/44	
4	107413554	1	Werkzeugbox L-Boxx mit Staubbeuteln	



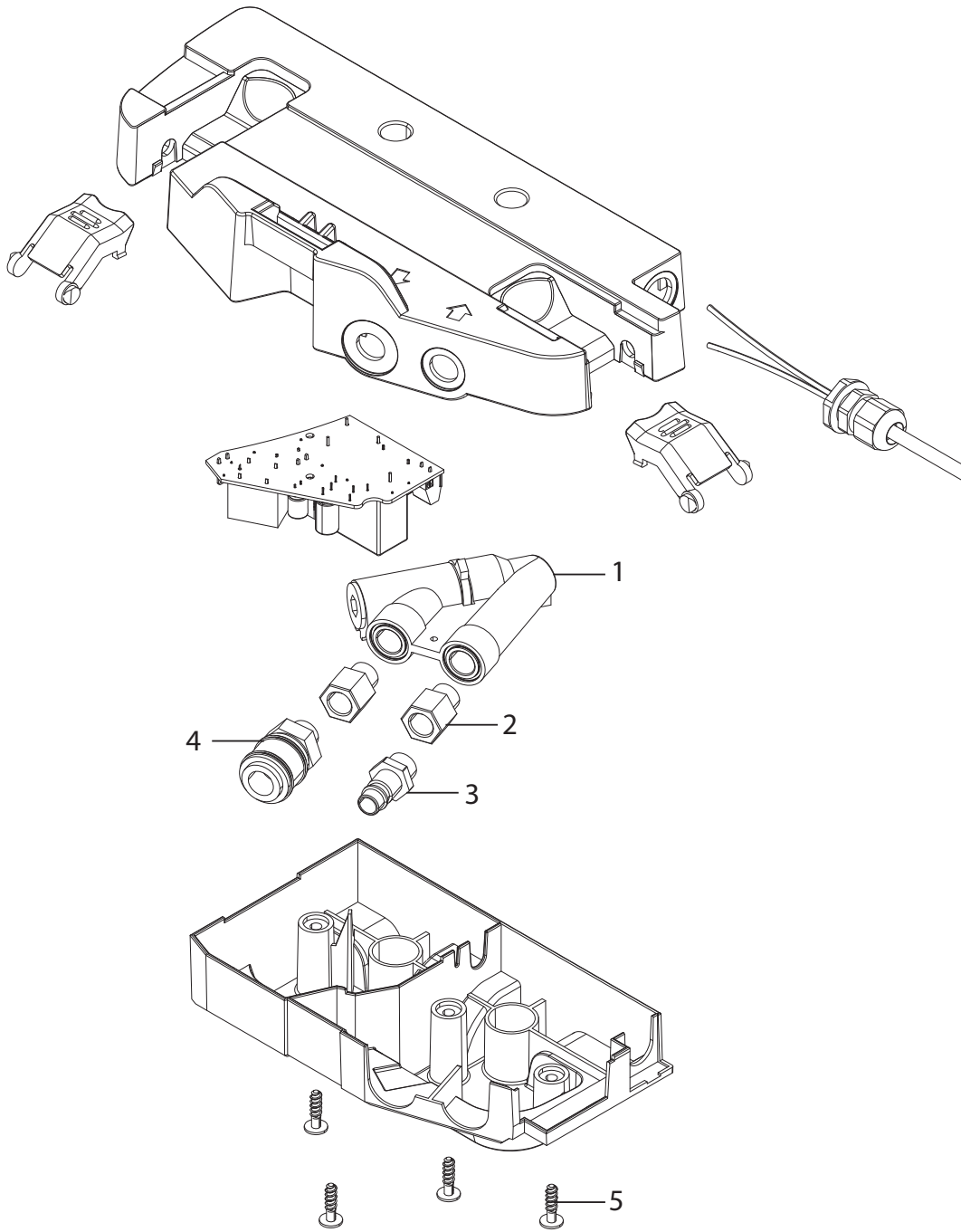
Pos.	Artikel-Nr.	Menge	Variante	Notes
1	107413540	1	Flachfaltenfilterelement PTFE M-Klasse A	
2	107413541	1	Motorkühlluftfilter PET ATTIX 33/44	
3	107413555	1	HEPA Filterkassette - Staubklasse H	
4	107413542	1	Abdeckung HEPA-Filterelement	
5	107417821	1	Entsorgungssack VPE 5Stk. ATTIX 33/44	
6	107413549	1	Sicherheitsfiltersack VPE 5Stk. ATTIX 33	
7	107413547	1	Vlies-Filtersack VPE 5Stk. ATTIX 33/44	
8	107413556	1	Langzeitfilterbeutel wiederverwendbar AT	



Pos.	Artikel-Nr.	Menge	Variante	Notes
1	107409976	1	Universalsaugschlauch, Ø 32 mmx3,5 m	[1]
2	107413543	1	Saugschlauch antistatisch rot/schwarz D3	
2	107413544	1	Saugschlauch antistatisch rot/schwarz D3	
3	107417868	1	HOSE SLEEVE Ø38 AS QUICKSYSTEM	
3	107417867	1	HOSE SLEEVE Ø36 AS QUICKSYSTEM	
3	107417866	1	Muffe Ø32 AS QUICKSYSTEM	
4	30928	1	Muffe Schlauch, Ø 32 mm, antistatisch	
4	15812	1	Muffe Ø 36x50 mm, antistatisch	
5	46691	1	Handrohr gebog., Ø 36 mm, Edelstahl	
6	107409977	1	Werkzeugadapter, Ø 32 mm	[1]
7	302000535	1	Werkzeugadapter, Quicksystem, Ø 27 mm	
8	107417865	1	Abluftsammler / Blasadapter ATTIX 33/44	
9	302000529	1	Verlängerungsrohre Ø36x505 mm, VPE 2	
9	107408074	1	Verlängerungsrohr Edels. Ø36x505mm, VPE2	
10	107416995	1	Verlängerungsrohre Ø36 3x350 mm,	
11	302002331	1	Bodendüse m. Bürste, Ø 36x300 mm	
12	29541	1	FUGENDUESE D36X200	
13	14295	1	Universaldüse Ø 36x115 mm, Kunststoff	
14	302002509	1	Saugpinsel, rund, schwarz, Ø 36 mm	
15	60356	1	Profi-Bodendüse, Ø 36x360 mm	
16	302003666	1	Profi-Bodendüse D36 400mm	
17	42955	1	HOSE SLEEVE Ø50/50 CONDUCTIVE TYPE 22	[2]
18	48375	1	Schlauchhaltespanne	

Part Notes:

- [1] - TSB-LI-VACS-2017-01 - AERO+ATTIX hose
 [2] - To be used with Ø50 mm hose



Pos.	Artikel-Nr.	Menge	Variante	Notes
0	107416370	1	AIRBOX KIT 220-240V 50/60HZ EU	
1	107402622	1	Durchflussregelung Set	
2	25437	2	Muffennippel G1/4-R1/4	
3	14809	1	Kupplungsstecker G1/4	
4	14808	1	Schlauchkupplung G1/4	
5	302004029	4	SCREW 5X18	

