

Pos.	Artikel-Nr.	Menge	Variante	Notes
59	56383999	1	SHIELD-SPRAY	[5]

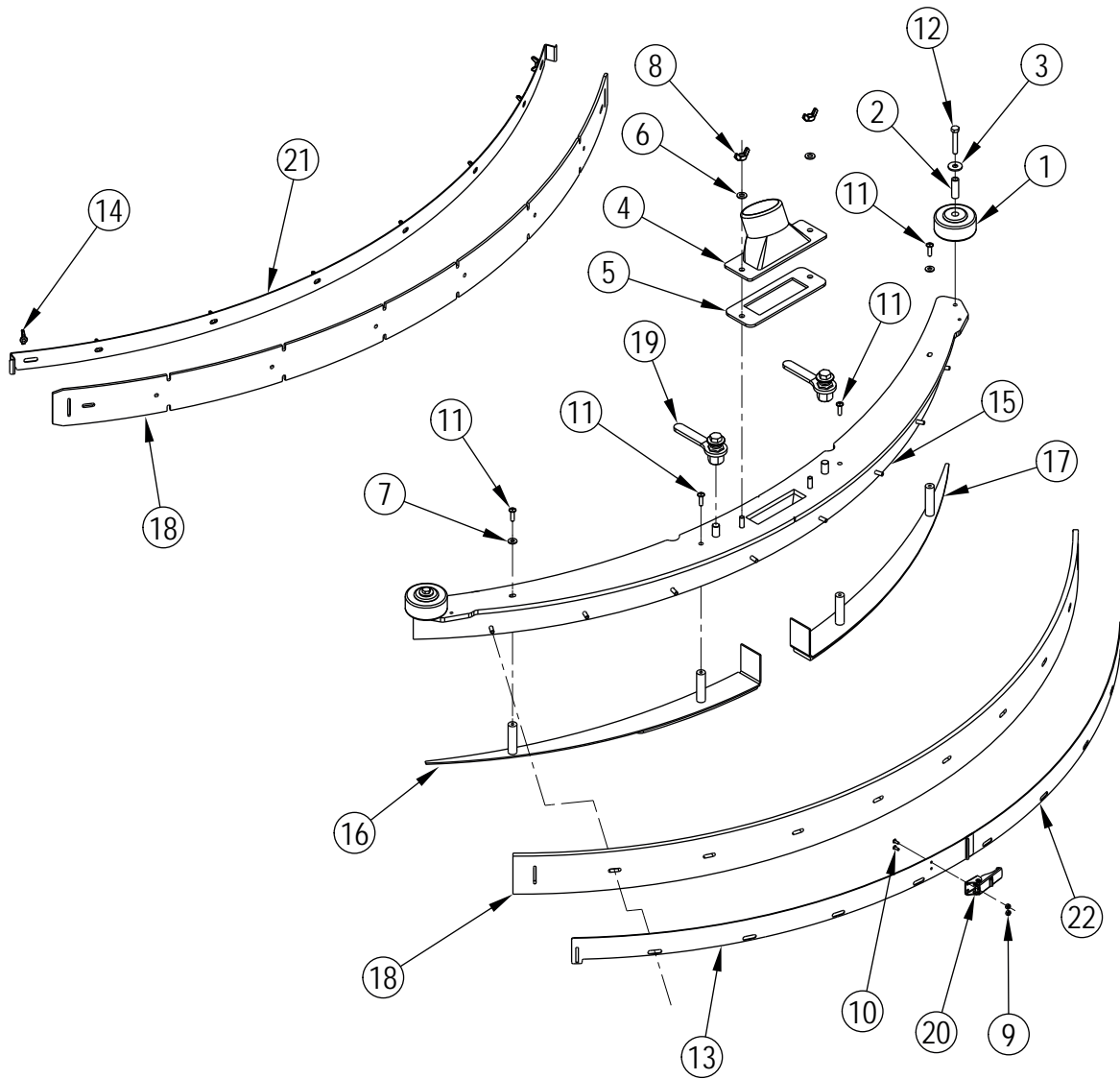
Part Notes:

- [1] - (for 56407162)
- [2] - TSB-FC-2014-032 SC8000 Condor XL Pumps Failing
DE TSB-FC-2014-032 SC8000 ER1300 Reinigungsmittelpumpe defekt
- [3] - TSB-FC-2013-135 56111342 Solution Pump
TSBFC 2013-135 SC8000, ER1300, CR1200 Anschlusswinkel der Reinigungsmittelpumpe
- [4] - TSB-FC-2015-023-Various Machines -Clean water leaking from machine when
- [5] - DE TSB-FC-2014-032 SC8000 ER1300 Reinigungsmittelpumpe defekt

Pos.	Artikel-Nr.	Menge	Variante	Notes
1	56002904	2	SCR HEX SS 1/2-13 X 1.25	
2	56002918	6	Unterlegscheibe	
3	56002888	9	SCR HEX HD SS 1/2-13X1 75	
4	56002910	4	"Scheibe 3/8""	
5	56003852	1	WSH-FLT SAE SS 3/4	
6	56002846	8	NUT HEX NYL LOC SS 1/2-13	
7	56002854	2	NUT HEX NYL LOC-THIN SS 1/2-13	
8	56002862	1	Mutter 3/4 - 10	
9	56003914	4	SCR-HEX LOC SS 3/8-16 X 1.00	
10	56009017	8	WSH FLT HARDEN 516x938x75	
11	56009022	8	Scheibe-U	
12	56009039	2	SCHRAUBE 1/4-20X1-1/2	
13	56110873	1	Absaugleiste	[1]
14	56110886	1	Halterung für	
15	56111940	1	Halterung für Absaugleiste	
16	56111731	1	Justierung kpl.	
17	56304586	8	Lager 750x625x500	
18	56304590	1	Platte	
19	56111931	4	ARM-PARALLEL 7.5IN	
20	56360627	2	Büchse	
21	56367206	8	BUCHSE	
22	56370878	2	Lagerbüchse	
23	56388326	4	BUSHING .38x.48x.41	
24	56379170	1	FEDER	
25	56003312	1	Stopfmutter M12 1.75	
26	56003791	1	WSH FLT SS .875 X 1.50 X .105	
27	56111723	1	LOCK ADJUSTER	
28	56111724	1	PIVOT WELDMENT	
29	56111729	1	KNOB ASSEMBLY	
30	56111732	1	BAR SQUEEGEE ADJ	

Part Notes:

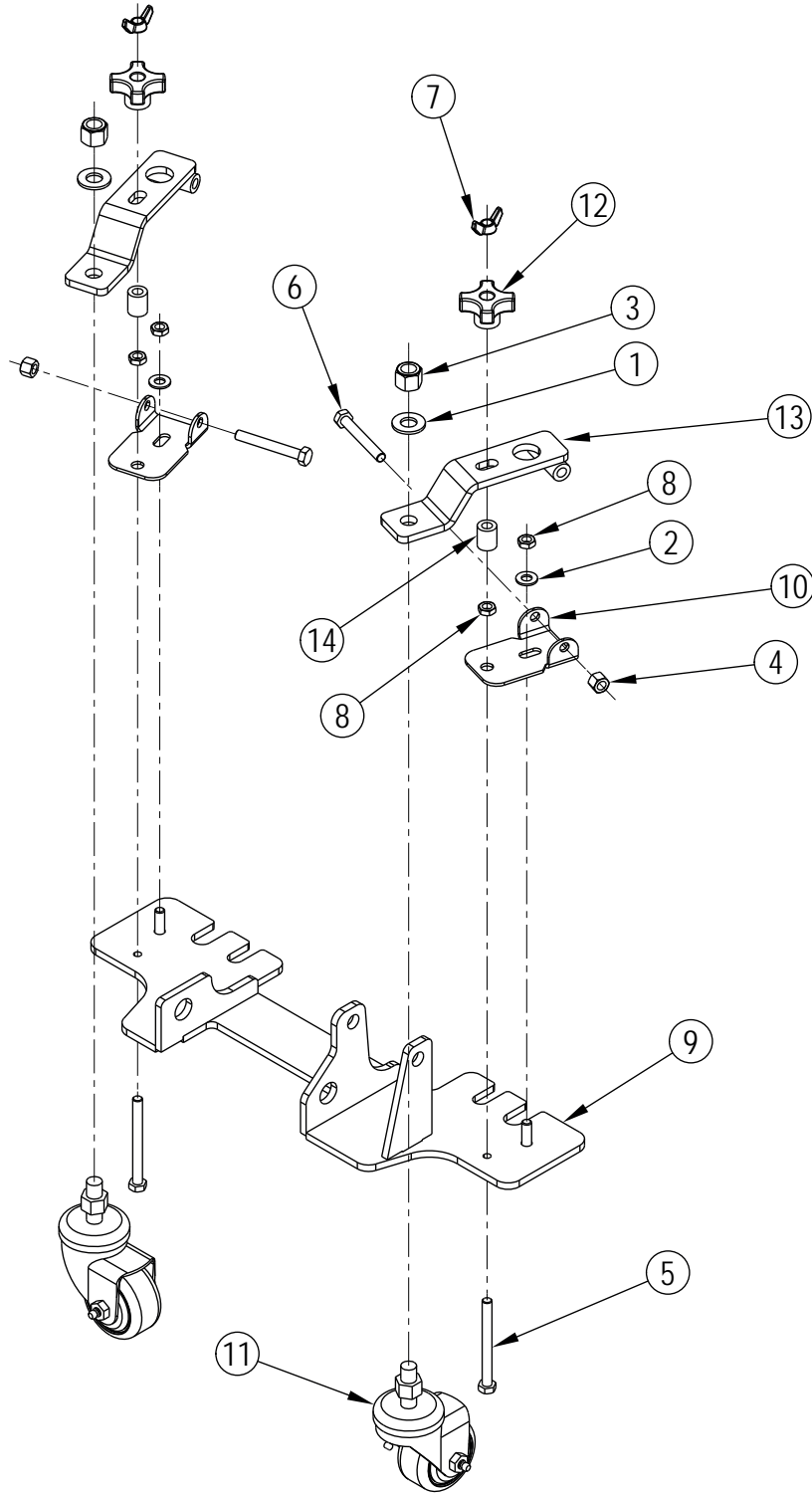
[1] - (items 1-22)



Pos.	Artikel-Nr.	Menge	Variante	Notes
	56110873	1	Absaugleiste	[1]
1	56386127	2	Rad	
2	56454249	2	Büchse	
3	56003646	2	WSH FLT SS M8	[2]
4	56459102	1	Saugfussrohr zu CR 1300	
5	56459281	1	Dichtung zu 2052G	
6	56002938	2	WSH FLT SAE SS 5/16	
7	56002859	2	Mutter SS 1/4	
8	56002370	2	Flügelmutter 5/16-18	
9	56002907	2	NUT HEX NYL LOC SS 6-32	
10	56002909	2	SCR PAN PHL SS6-32X38	
11	56003087	4	Schraube PAN PHIL SS	
12	56003802	2	SCR- HEX SS M8-1.25 X 50mm	
13	56109621	1	Zugband links	[3]
14	56009111	8	Flügelmutter 1/4-20	
15		1	Squeegee Weldment	[4]
16	56111938	1	LEFT PLATE WELDT	
17	56111939	1	RIGHT PLATE WELDT	
18	56111650	1	Absaugleisten-Set Gummi, rot	
	56413642	1	BLADE SQGEE RED GUM RR H	
	56111652	1	Absaugleisten-Set Gummi	
	56413710	1	BLADE SQUEEGEE GUM RR H	
	56111203	1	Absaugleisten-Set PU	
	56111205	1	BLADE REAR SQ PU H 63	
19	56305616	2	Halterung	
20	56471194	1	Klemme	
21	56109620	1	Befestigungsschiene	[3]
22	56109677	1	Zugband rechts	[3]

Part Notes:

- [1] - (items 1-22)
- [2] - EXPIRED USE 56002938
- [3] - Items 13, 21 22 can be ordered as Strap Kit H 56109622.
- [4] - The squeegee weldment is not available for sale separately. If you need to replace your squeegee weldment please order the complete Squeegee Assy
56110873.



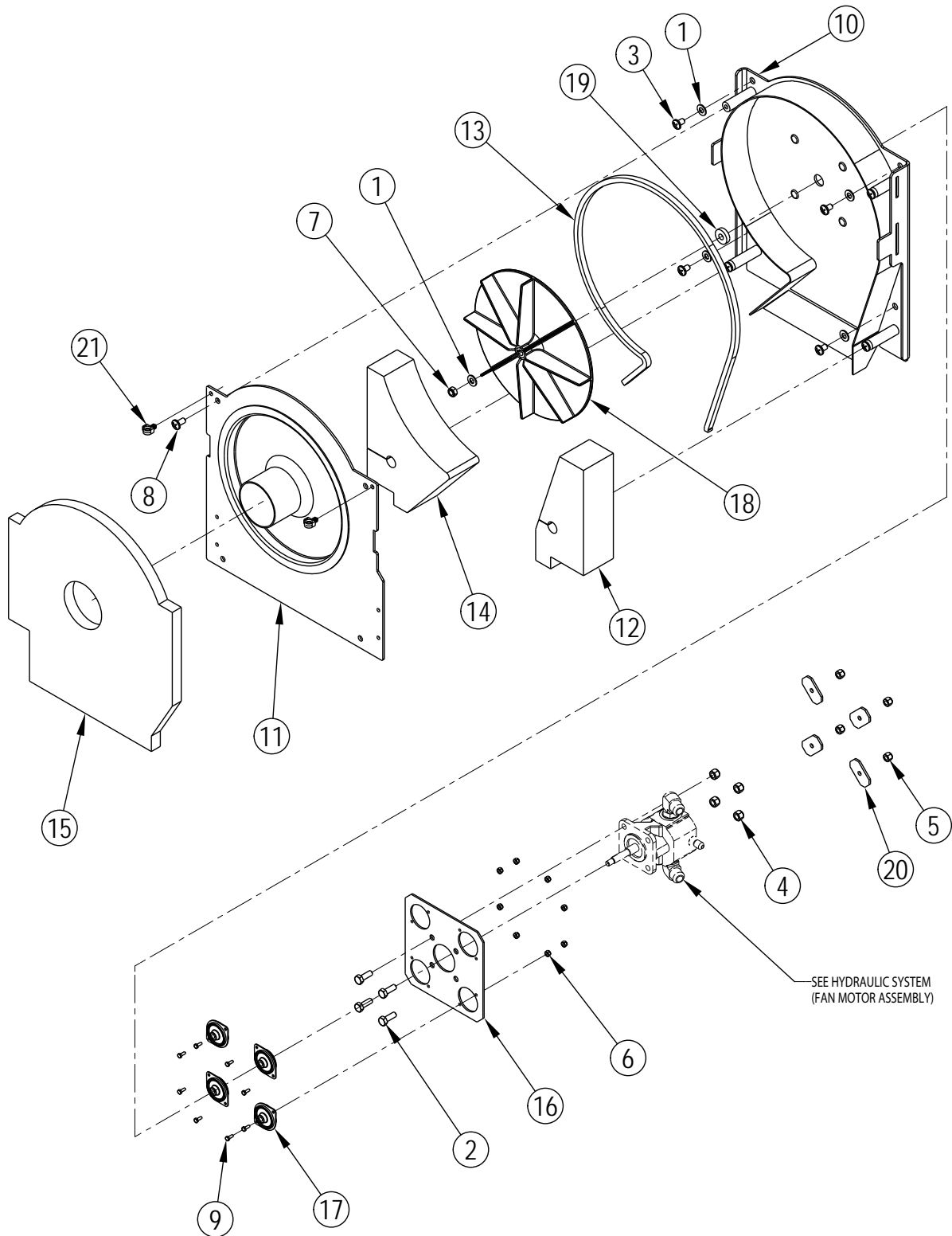
SQUEEGEE MOUNT ASSY

SC8000 1300 D NIL

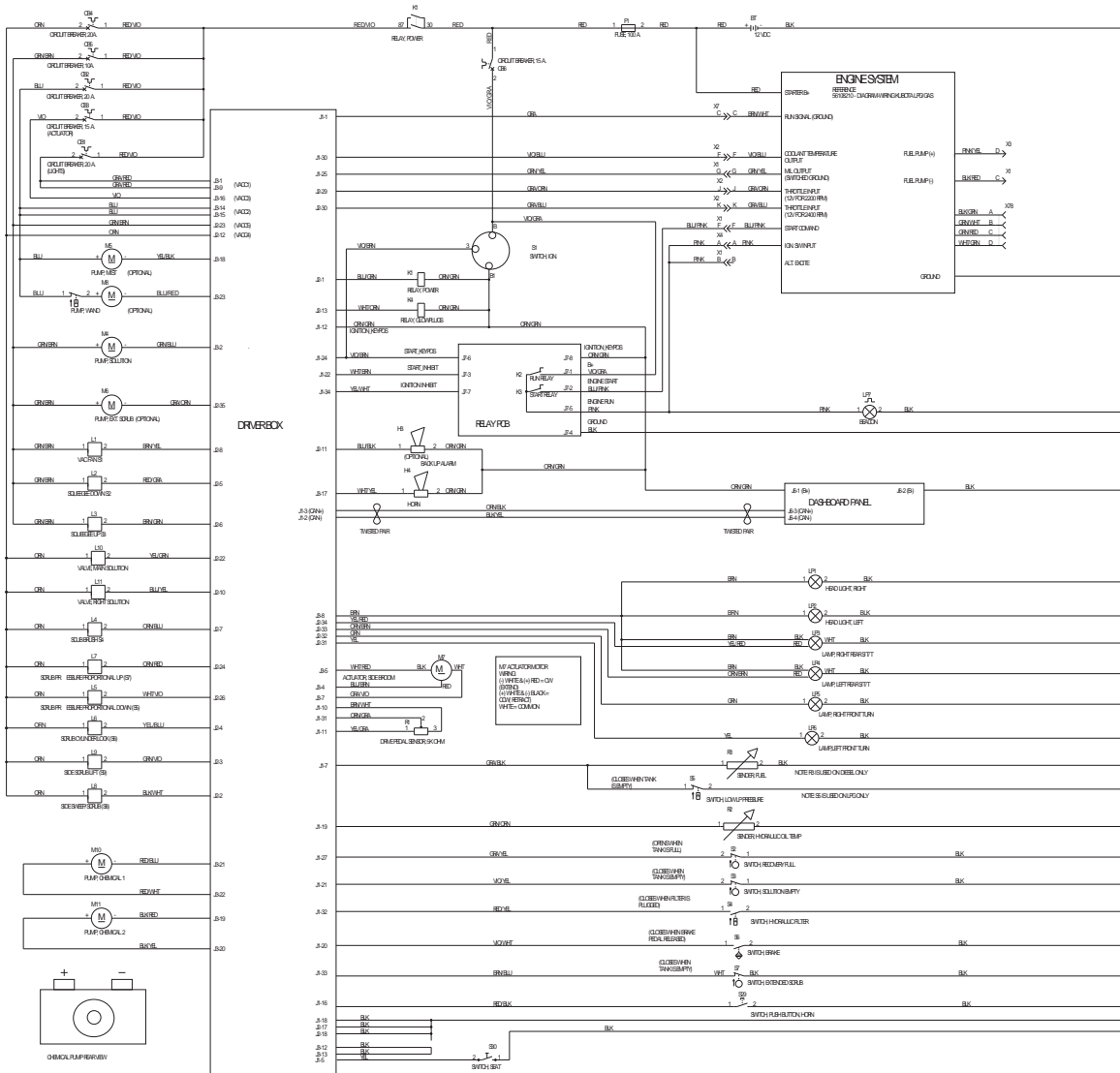
2015.05.19

2013.08.13

Pos.	Artikel-Nr.	Menge	Variante	Notes
	56110886	1	Halterung für	
1	56001879	2	U-SCHEIBEN	
2	56002938	2	WSH FLT SAE SS 5/16	
3	56002770	2	Mutter 1/2 - 13	
4	56003405	2	Stopmutter M8 Inox	
5	56003463	2	Schraube 5/16-18x3.25	
6	56003464	2	Schraube M8-1.25x60mm	
7	56003465	2	Flügelmutter 5/16-18	
8	56009141	4	Mutter HEX JAM SS 5/16-18	
9	56111934	1	SQUEEGEE MOUNT WELDT	
10	56111936	2	BRACKET	
11	56407344	2	Rad für BR 850	
12	56407510	2	Drehknopf	
13	56111935	2	CASTER BRACKET WELDT	
14	56111803	2	BUSHING .340 X .625 X .76	



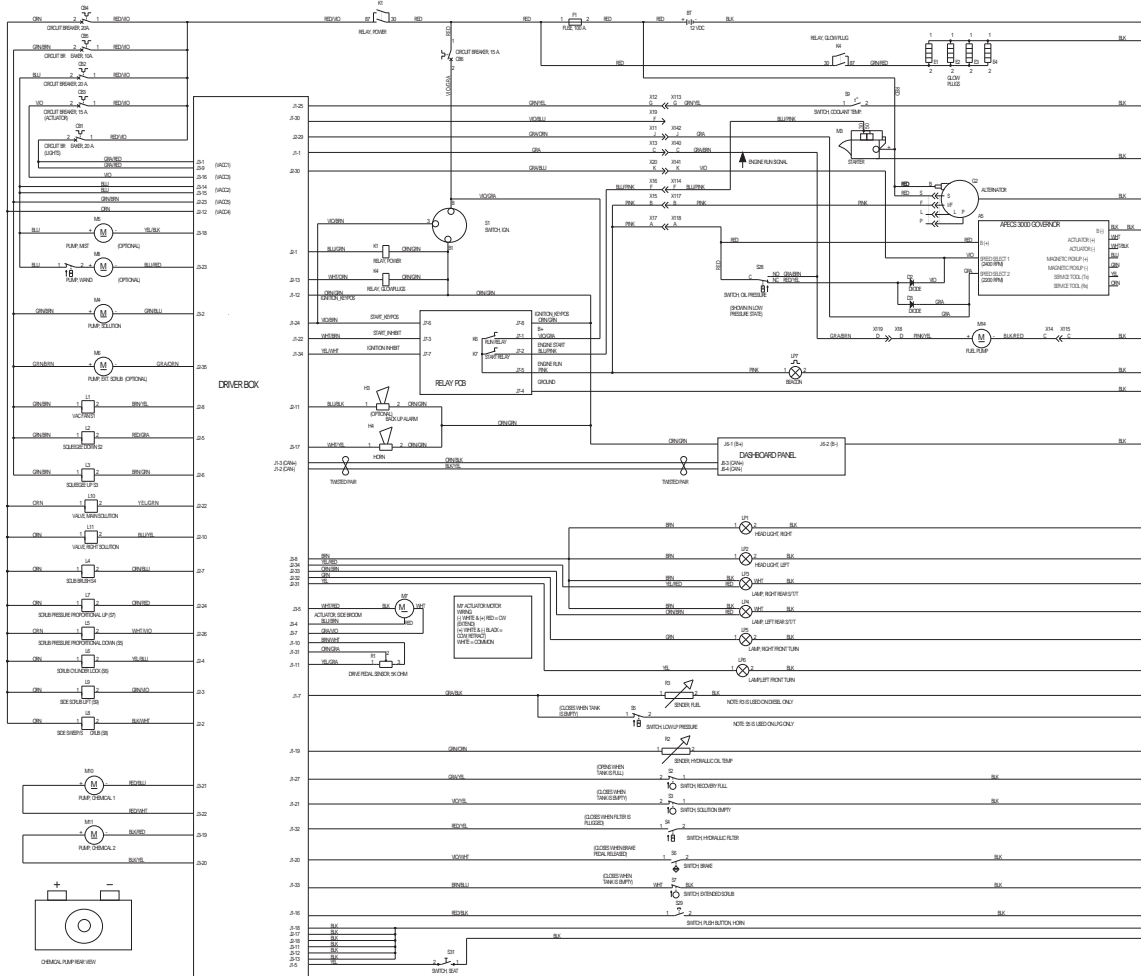
Pos.	Artikel-Nr.	Menge	Variante	Notes
	56111549	1	Saugmotor kpl.	
1	56001939	5	Flachdichtung 5/16	
2	56002037	4	SCR HEX 5/16-18 X .88	
3	56002281	4	SCR PAN PHIL 5/16-18 X .50	
4	56002701	4	MUTTER 5-16-18 HEX JAM	
5	56002708	4	Stopmutter 1/4-20	
6	56002830	8	NUT HEX NYL LOC 6-32	
7	56002866	1	Mutter HEX NYL LOC	
8	56003003	4	Schraube 5/16	
9	56003068	8	SCR HEX HD 6-32x.038	
10	56111544	1	SCROLL WELDT	
11	56111545	1	VAC FAN COVER WELDT	
12	56111563	1	FOAM SOUND REDUCTION	
13	56111565	1	Abdichtung	
14	56111566	1	FOAM SOUND REDUCTION	
15	56111576	1	FOAM SOUND	
16	56304647	1	Führungsplatte	
17	56304652	4	Schwingungsdämpfer	
18	56305018	1	Gebälserad	
19	56305022	1	Distanzstück .375X1.00X.250	
20	56305714	4	WASHER SNUBBING	
21	56315382	2	CLIP CONDUIT	



Pos.	Artikel-Nr.	Menge	Variante	Notes
		1	Engine System	
		1	Driver Box	
	56381129	1	DASHBOARD PANEL ASSEMBLY	
	56110530	1	RELAY PCB ASSY	
BT		1	Battery 12V	
CB1	56413822	1	CIRCUIT BREAKER 20 AMP	
CB2	56413822	1	CIRCUIT BREAKER 20 AMP	
CB3	56413407	1	Sicherung 15A	
CB4	56413822	1	CIRCUIT BREAKER 20 AMP	
CB5	56507644	1	CIRCUIT BREAKER 10 AMP	
CB6	56413407	1	Sicherung 15A	
F1	56111123	1	FUSE 100A	
H3	56409232	1	Fahrschutzdach	
H4	56442054	1	HORN 12 Vsiehe 145 3801 000	
K1	56110423	1	RELAY SPST 12V 75A	
K2		1	Relay, Run	
K3		1	Relay, Start	
L1		1	Vacuum Fan Valve, S1	
L2		1	Squeegee Down Valve, S2	
L3		1	Squeegee Up Valve, S3	
L4		1	Scrub Brush Valve, S4	
L5		1	Scrub Pressure Proportional Down Valve, S5	
L6		1	Scrub Cylinder Lock Valve, S6	
L7		1	Scrub Pressure Proportional Up Valve, S7	
L8		1	Side Sweep/Scrub Valve, S8	
L9		1	Side Scrub Lift Valve, S9	
L10	56305103	1	SOLENOID VALVE ASSEMBLY	[1]
L11	56110464	1	Magnetventil	
LP1	56110437	1	HEAD LIGHT ASSY RH	
	56507224	1	Glühlampe 12V 50W	
LP2	56110436	1	HEAD LIGHT ASSY LH	
	56507224	1	Glühlampe 12V 50W	
LP3	56507112	1	Blinklicht Li Vorne	
LP4	56507112	1	Blinklicht Li Vorne	
LP5	56507112	1	Blinklicht Li Vorne	
LP6	56507112	1	Blinklicht Li Vorne	
LP7	56307166	1	Rundumleuchte	
	56109521	1	FLASHTUBE REPLACEMENT	[2]
	56109723	1	FLASHTUBE REPLACEMENT	
M4	56111387	1	Pumpe 12V - 60Psi	[3]
M5	56507851	1	Pumpe 24V	
M6	56111387	1	Pumpe 12V - 60Psi	[3]
M7	56305008	1	Stellmotor CR 1400	
M8	56111671	1	Pumpe, Handset	
M10	56110742	1	Chemie Pumpe 2	
M11	56110742	1	Chemie Pumpe 2	
R1	56305129	1	ROTARY SENSOR	
R2	56305873	1	Sender, Hydraulik Öl Temp	
S1	56111109	1	Schlüsselschalter	
*	56303526	1	Schlüssel,	[4]
S2	56110561	1	Niveauschalter	
S3	56413669	1	Schalter, Füllstand	
S4		1	Switch, Hydraulic Filter	
S5	56418381	1	Druckschalter	
S6	56305053	1	Näherungssensor	
S7	56111270	1	Schwimmerschalter	
S29	8-82-00024	1	Starterknopf	
S30	7-82-00050	1	Sitzschalter BR 1300 S	

Part Notes:

- [1] - TSB-FC-2015-023-Various Machines -Clean water leaking from machine when
- [2] - (for 56307166 manufactured by Speaker or ECCO)
- [3] - TSB-FC-2013-135 56111342 Solution Pump
- [4] - for 56303553



LADDER DIAGRAM - DIESEL

SC8000 1300 D NIL

2015.05.19

2013.08.13

Pos.	Artikel-Nr.	Menge	Variante	Notes
		1	Driver Box	
	56381129	1	DASHBOARD PANEL ASSEMBLY	
	56508400	1	APECS 3000 Governor	
	56110530	1	RELAY PCB ASSY	
BT		1	Battery 12V	
CB1	56413822	1	CIRCUIT BREAKER 20 AMP	
CB2	56413822	1	CIRCUIT BREAKER 20 AMP	
CB3	56413407	1	Sicherung 15A	
CB4	56413822	1	CIRCUIT BREAKER 20 AMP	
CB5	56507644	1	CIRCUIT BREAKER 10 AMP	
CB6	56413407	1	Sicherung 15A	
D2		1	Diode	
D3		1	Diode	
E1		1	Glow Plug	
E2		1	Glow Plug	
E3		1	Glow Plug	
E4		1	Glow Plug	
F1	56111123	1	FUSE 100A	
G2	56110738	1	Generator	
H3	56409232	1	Fahrerschutzdach	
H4	56442054	1	HORN 12 Vsiehe 145 3801 000	
K1	56110423	1	RELAY SPST 12V 75A	
K2		1	Relay, Run	
K3		1	Relay, Start	
K4	56110423	1	RELAY SPST 12V 75A	
L1		1	Vacuum Fan Valve, S1	
L2		1	Squeegee Down Valve, S2	
L3		1	Squeegee Up Valve, S3	
L4		1	Scrub Brush Valve, S4	
L5		1	Scrub Pressure Proportional Down Valve, S5	
L6		1	Scrub Cylinder Lock Valve, S6	
L7		1	Scrub Pressure Proportional Up Valve, S7	
L8		1	Side Sweep/Scrub Valve, S8	
L9		1	Side Scrub Lift Valve, S9	
L10	56305103	1	SOLENOID VALVE ASSEMBLY	[1]
L11	56110464	1	Magnetventil	
LP1	56110437	1	HEAD LIGHT ASSY RH	
	56507224	1	Glühlampe 12V 50W	
LP2	56110436	1	HEAD LIGHT ASSY LH	
	56507224	1	Glühlampe 12V 50W	
LP3	56507112	1	Blinklicht Li Vorne	
LP4	56507112	1	Blinklicht Li Vorne	
LP5	56507112	1	Blinklicht Li Vorne	
LP6	56507112	1	Blinklicht Li Vorne	
LP7	56307166	1	Rundumleuchte	
	56109521	1	FLASHTUBE REPLACEMENT	[2]
	56109723	1	FLASHTUBE REPLACEMENT	
M3	56419089	1	Starter	
M4	56111387	1	Pumpe 12V - 60Psi	[3]
M5	56507851	1	Pumpe 24V	
M6	56111387	1	Pumpe 12V - 60Psi	[3]
M7	56305008	1	Stellmotor CR 1400	
M8	56111671	1	Pumpe, Handset	
M10	56110742	1	Chemie Pumpe 2	
M11	56110742	1	Chemie Pumpe 2	
M14	56508355	1	Kraftstoffpumpe	[4]
R1	56305129	1	ROTARY SENSOR	
R2	56305873	1	Sender, Hydraulik Öl Temp	
R3	56478358	1	SENDER	

Pos.	Artikel-Nr.	Menge	Variante	Notes
S1	56111109	1	Schlüsselschalter	
	56303526	1	Schlüssel,	[5]
S2	56110561	1	Niveauschalter	
S3	56413669	1	Schalter, Füllstand	
S4		1	Switch, Hydraulic Filter	
S6	56305053	1	Näherungssensor	
S7	56111270	1	Schwimmerschalter	
S9	56419091	1	Temperaturschalter	
S28	56305098	1	Öldruckschalter	
S29	8-82-00024	1	Starterknopf	
S31	7-82-00050	1	Sitzschalter BR 1300 S	

Part Notes:

- [1] - TSB-FC-2015-023-Various Machines -Clean water leaking from machine when
- [2] - (for 56307166 manufactured by Speaker or ECCO)
- [3] - TSB-FC-2013-135 56111342 Solution Pump
- [4] - Shipped with the engine.
- [5] - for 56303553

BRUSH SELECTOR GUIDE-CYLINDRICAL (MAIN SCRUB DECK)

We provide brushes and pad holders that will give you the best possible performance between machine and floor. Following are descriptions of the materials and their applications.

- 80 Grit Brush:** Medium aggressive grit brush. Good all-around brush for medium to heavy buildup removal. Can also be used for general stripping operations.
- 180 Grit Brush:** Least aggressive grit brush. Used for daily cleaning of hard-finished floors.
- Polypropylene Brush:** Standard equipment brush. Low cost, yet effective in cleaning many common floor surfaces.

48" BRUSH LENGTH

- 56110011 - Polypropylene
- 56110012 - 80 Grit
- 56110013 - 180 Grit

CYLINDRICAL BRUSH APPLICATION GUIDE (SUGGESTION ONLY)

Application	80 Grit	180 Grit	Polypropylene
Stripping:			
Concrete	X		
Terrazzo	X		
Ceramic/Quarry tile	X		
Vinyl tile	X		
General Scrubbing:			
Concrete	X	X	X
Terrazzo		X	X
Ceramic/Quarry tile		X	X
Marble		X	
Vinyl tile		X	X
Raised-rubber tile		X	

SIDE BROOMS LEFT & RIGHT FRONT

- Side Broom:** PN56477812 Polypropylene (STD)
The side broom function is to sweep the dirt and debris away from the curb, wall, pallet, etc. into the path of the scrub deck.
- PN56505629 Soft (Optional)



Diameter20" (50.8 cm)

BRUSH SELECTOR GUIDE-CYLINDRICAL

SC8000 1300 D NIL

2015.05.19

2013.08.14

Pos.	Artikel-Nr.	Menge	Variante	Notes
	56110011		Walzenbürste 1200 mm, Prolene	
	56110012		Walzenbürste 1200 mm, Dyna Grit 80	
	56110013		Walzenbürste 1200 mm, Mid Grit 180	

We provide brushes and pad holders that will give you the best possible performance between machine and floor. Following are descriptions of the materials and their applications.

Prolene: Polypropylene material for medium-duty scrubbing on concrete, terrazzo and vinyl floor tile. Recommended for use in place of green or blue pads.

Dyna Grit: For aggressive, heavy-duty scrubbing or stripping of floors. Recommended for use in place of brown pads.

MidLite Grit: For general purpose scrubbing of sealed or unsealed concrete, stone, terrazzo, quarry tile and other resilient hard floor surfaces. Recommended for use in place of green or blue pads.

Ø15" BRUSH BLOCK

56505832 - Dyna Grit (80)

56505834 - Prolene

56505838 - MidLite Grit (180)

DISC BRUSH APPLICATION GUIDE (SUGGESTION ONLY)

Application	80 Grit	180 Grit	Prolene
Stripping:			
Concrete	X		
Terrazzo	X		
Ceramic/Quarry tile	X		
Vinyl tile	X		
General Scrubbing:			
Concrete	X	X	X
Terrazzo		X	X
Ceramic/Quarry tile		X	X
Vinyl tile		X	X

BRUSH SELECTOR GUIDE-DISK (RIGHT SCRUB

SC8000 1300 D NIL

2015.05.19

2013.08.14

Pos.	Artikel-Nr.	Menge	Variante	Notes
	56505832		Bürste Sica hart, Dyna Grit 80	
	56505834		Bürste PPN hart	
	56505838		Bürste Sica mittel, Grit 180	

OPTIONAL KITS & ACCESSORIES

Resource notes:

NOTE 1: All squeegee blade kits include both front and rear squeegee blades.

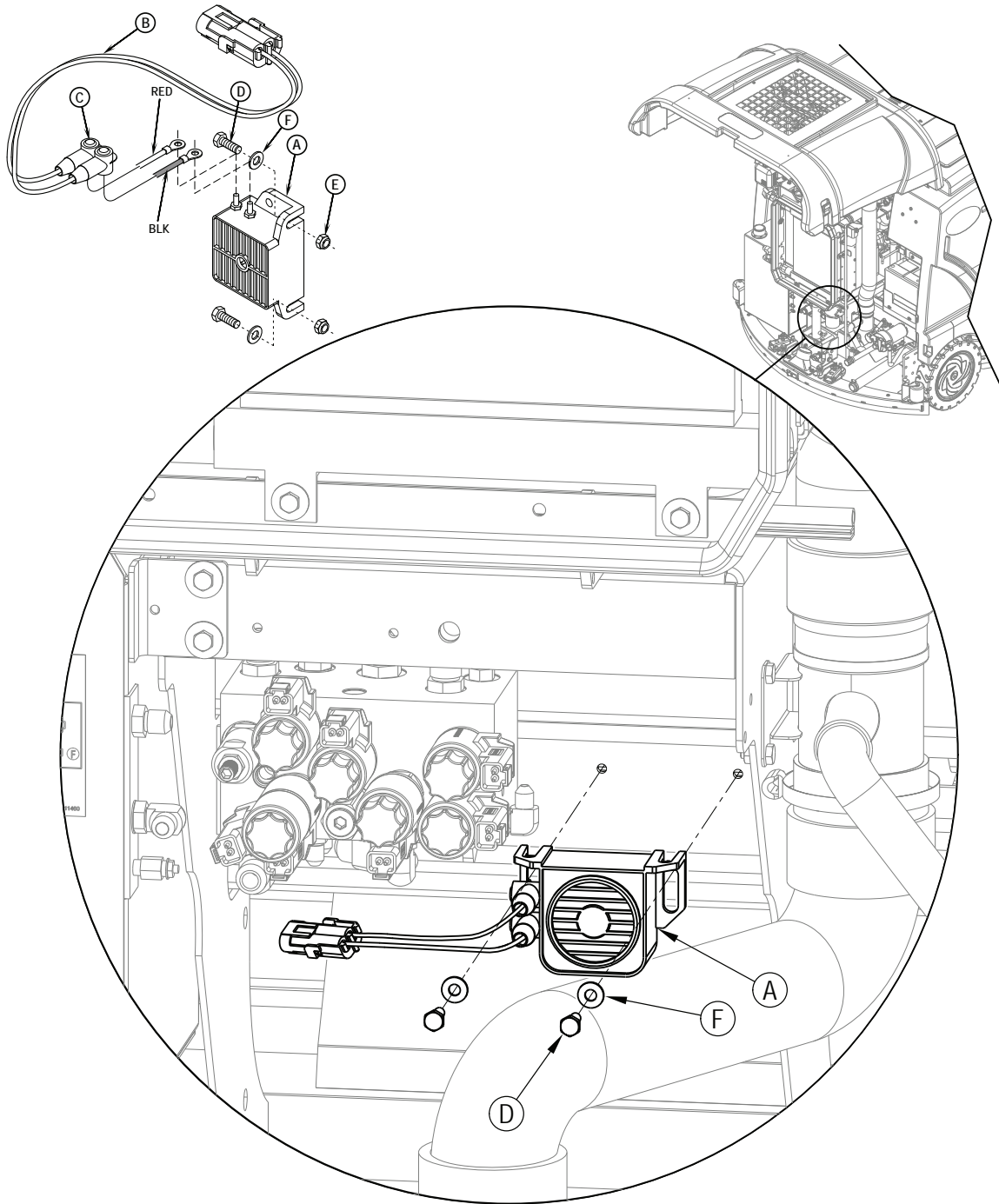
NOTE 2: All Deck Blade Kits include 4 side skirt blades (2 for each side skirt) plus 2 splash shield blades (1 for each end of the scrub deck).

NOTE 3: Right Scrub Blade Kits include 2 blades, one inside and one outside blade.

Pos.	Artikel-Nr.	Menge	Variante	Notes
			Kits: Replacement parts for the kits listed above can be found on each kit's associated instruction sheet.	
	56305896	1	Füllstandsabschaltung	
	56111535	1	Fahrerkomfortsitz	
	56110300	1	Fahrerschutzdach	
	56111259	1	Erweitertes Schrubbset	
	56108131	1	Ecoflex-Set	
	56111298	1	Arbeitslicht	[1]
	56110730	1	Handsaugset	
	7-03-04250	1	Armlehne rechts	
	7-03-04249	1	Armlehne links	
	56383455	1	Sicherheitsgurt-Set	
	56111280	1	Reinigungsset	
	56111346	1	Waschschlauch-Set	
	56111317	1	Brems-/Blinklicht Set	
	56111107	1	Stoßfänger, hinten	
	56510605	1	Feuerlöscher	
	56111265	1	Schutzdach Warnleuchten-Set	
	56111267	1	Schutzdach Haube	
	56111733	1	Schalter Hupe Set	
	56601410	1	Ablaßschlauch	
	56111848	1	Anfahrerschutzroller-Set	
	56111873	1	Fußschutz-Set	
	56108224	1	MOTOR KIT-HYD-TRACTION DRIVE	
			Squeegee Blade Kits	
	56111650	1	Absaugleisten-Set Gummi, rot	[2]
	56413642	1	BLADE SQGEE RED GUM RR H	[3]
	56111652	1	Absaugleisten-Set Gummi	[2]
	56413710	1	BLADE SQUEEGEE GUM RR H	[4]
	56111203	1	Absaugleisten-Set PU	[2]
	56111205	1	BLADE REAR SQ PU H 63	[5]
			Main Scrub Deck Options	
	56110013	1	Walzenbürste 1200 mm, Mid Grit 180	
	56110012	1	Walzenbürste 1200 mm, Dyna Grit 80	
	56110011	1	Walzenbürste 1200 mm, Prolene	
	56111206	1	Haupt Absaugleisten-Set, Gummi, rot	[6]
	56111207	1	Haupt Absaugleisten-Set, Gummi	[6]
	56111210	1	Haupt Absaugleisten-Set PU	[6]
			Right Scrub Head Options	
	56111635	1	Absaugleisten-Set Gummi, rot	[7]
	56111636	1	Absaugleisten-Set Gummi	[7]
	56111637	1	Absaugleisten-Set PU	[7]
	56505832	1	Bürste Sica hart, Dyna Grit 80	
	56505834	1	Bürste PPN hart	
	56505838	1	Bürste Sica mittel, Grit 180	
			Dual Sweep Head Options	
	56477812	2	Seitenbesen PP	
	56505629	2	Seitenbesen weiß	
			Accessories	
	56044641	1	LITERATURE PACK	

Part Notes:

- [1] - EXPIRED NO REPLACEMENT
- [2] - All squeegee blade kits include both front and rear squeegee blades.
- [3] - included with 56111650
- [4] - included with 56111652
- [5] - included with 56111203)
- [6] - All Deck Blade Kits include 4 side skirt blades (2 for each side skirt) plus 2 splash shield blades (1 for each end of the scrub deck).
- [7] - Right Scrub Blade Kits include 2 blades, one inside and one outside blade.



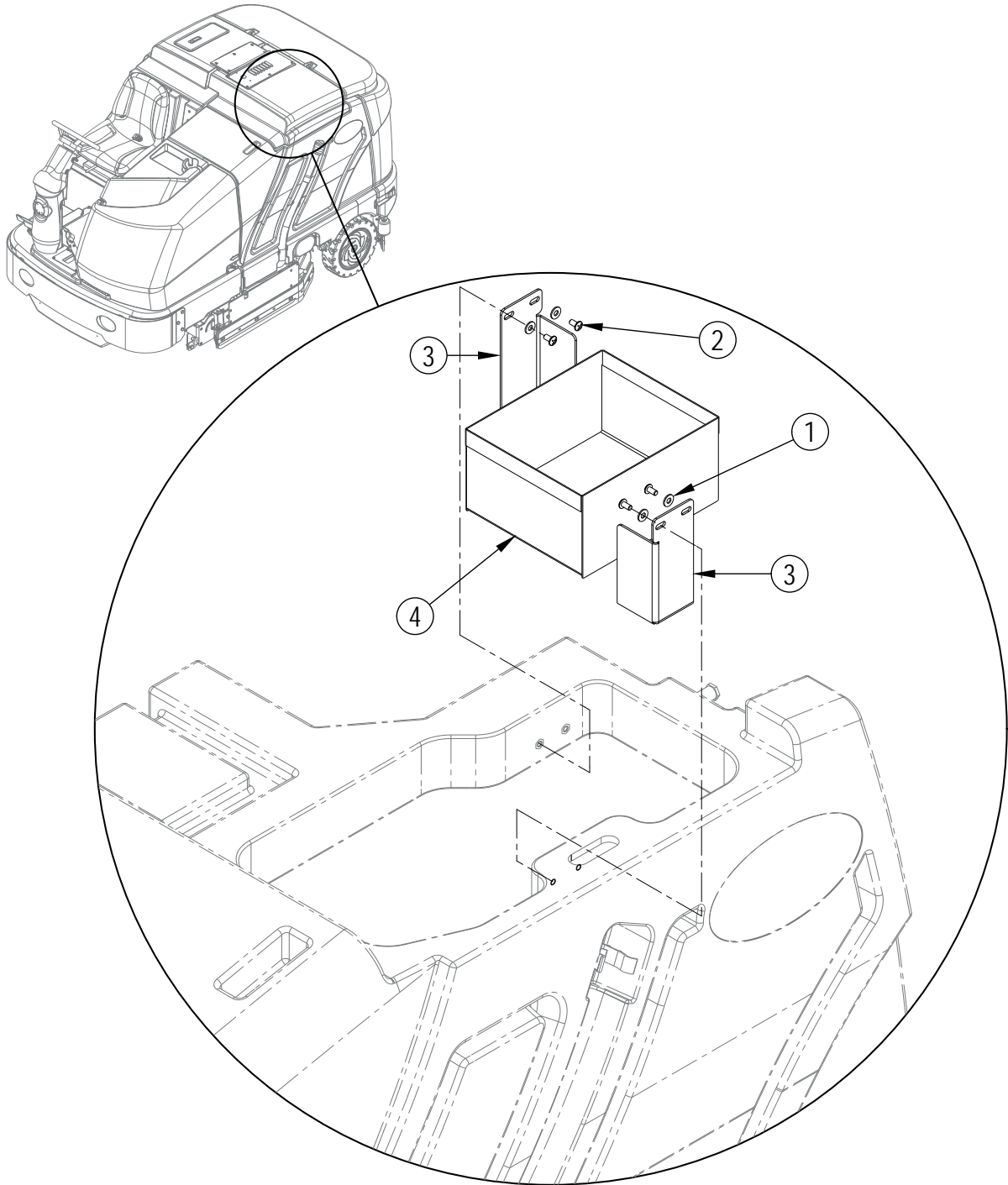
BACK-UP ALARM KIT

SC8000 1300 D NIL

2015.05.19

2013.08.14

Pos.	Artikel-Nr.	Menge	Variante	Notes
A	56409232	1	Fahrschutzdach	
B	56409495	1	Anschlußkabel	
C	56409538	2	Isolator	
D	56009018	2	SCHRAUBE 1/4-20X3/4 HP5	
E	56002708	2	Stopmutter 1/4-20	
F	56002098	2	Scheibe	



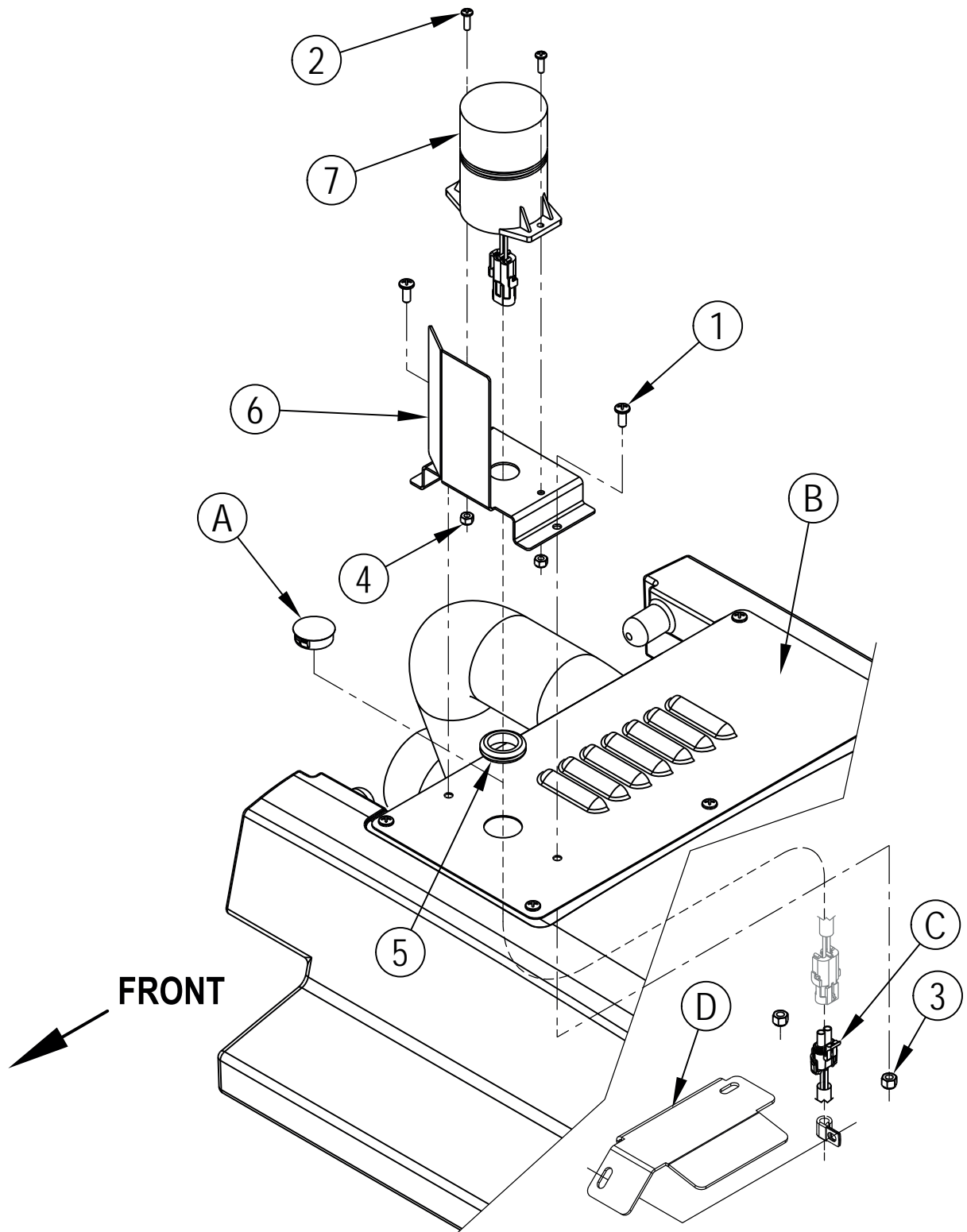
DEBRIS TRAY KIT

SC8000 1300 D NIL

2015.05.19

2015.07.31

Pos.	Artikel-Nr.	Menge	Variante	Notes
1	56002859	4	Mutter SS 1/4	
2	56003119	4	SCR PAN PHIL SS 1/4 20 X .50.	
3	56111601	2	Halterung	
4	56383770	1	STRAINER-DEBRIS	



WARNING BEACON KIT

SC8000 1300 D NIL

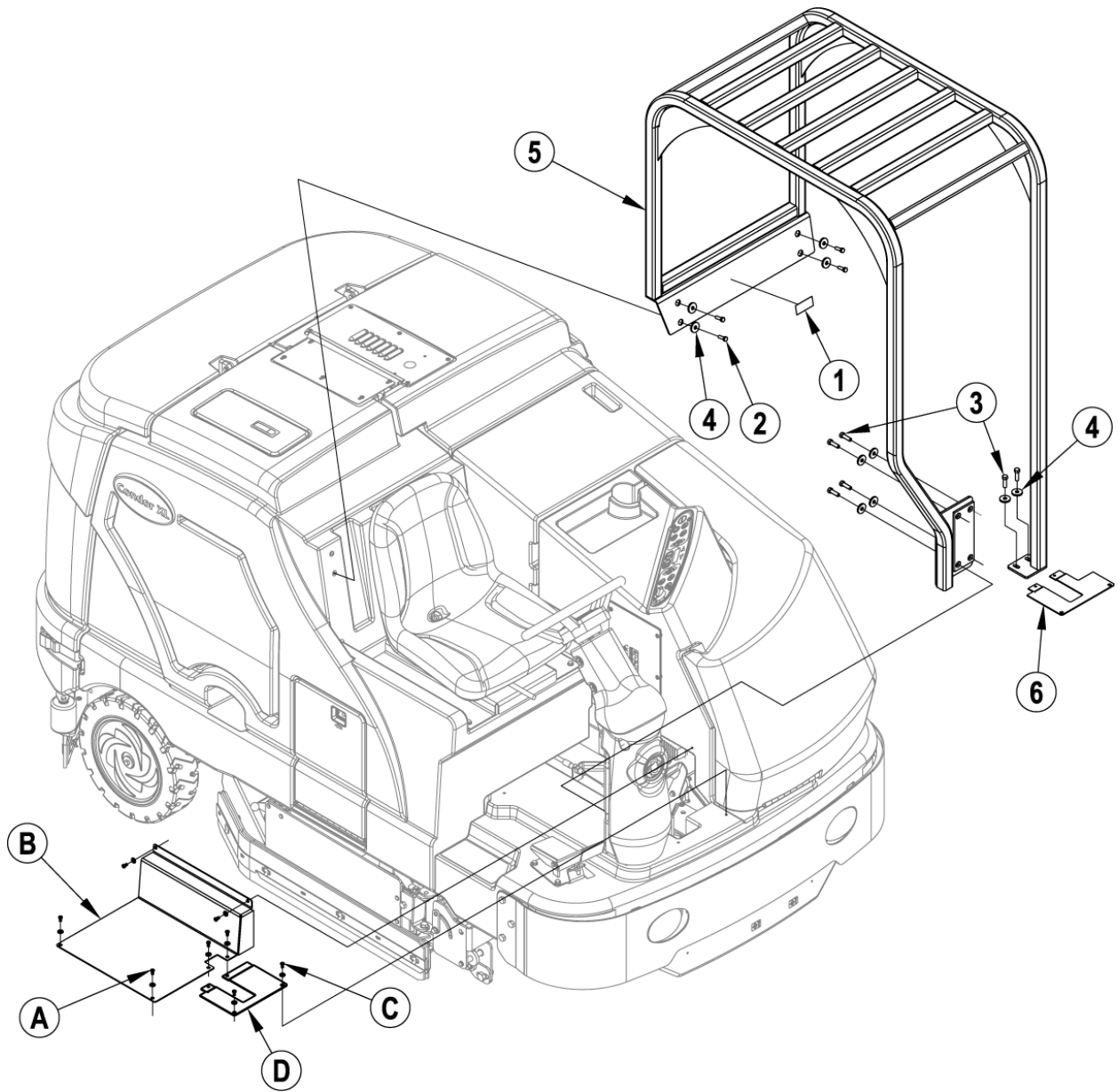
2015.05.19

2013.08.14

Pos.	Artikel-Nr.	Menge	Variante	Notes
1	56002066	2	Schraube	
2	56002124	2	Schraube10-24 X .62 PNH PH.	
3	56002708	2	Stopmutter 1/4-20	
4	56002768	2	1/4-20 NYLOC NUT	
5	56055434	1	GROMMET E00059	
6	56110908	1	BRACKET BEACON MOUNT	
7	56307166	1	Rundumleuchte	
	56109521	1	FLASHTUBE REPLACEMENT	[1]
	56109723	1	FLASHTUBE REPLACEMENT	[2]

Part Notes:

- [1] - (for 56307166 manufactured by Speaker or ECCO)
- [2] - (for 56307166 manufactured by Superior Signals Inc.)



Pos.	Artikel-Nr.	Menge	Variante	Notes
	56110300	1	Fahrschutzdach	
01	56100696	1		
02	56002221	4	SCR HEX HD 5/16-18 X 1.00	
03	56003029	6	Schraube 3/8-16 X1	
04	56009195	10	WSH FLT .406X 1.250X .164	
05	56110295	1	OVERHEAD GUARD WELDT	
06	56111133	1	OHG FLOOR PLATE WELDT	

