

# PARTS LIST

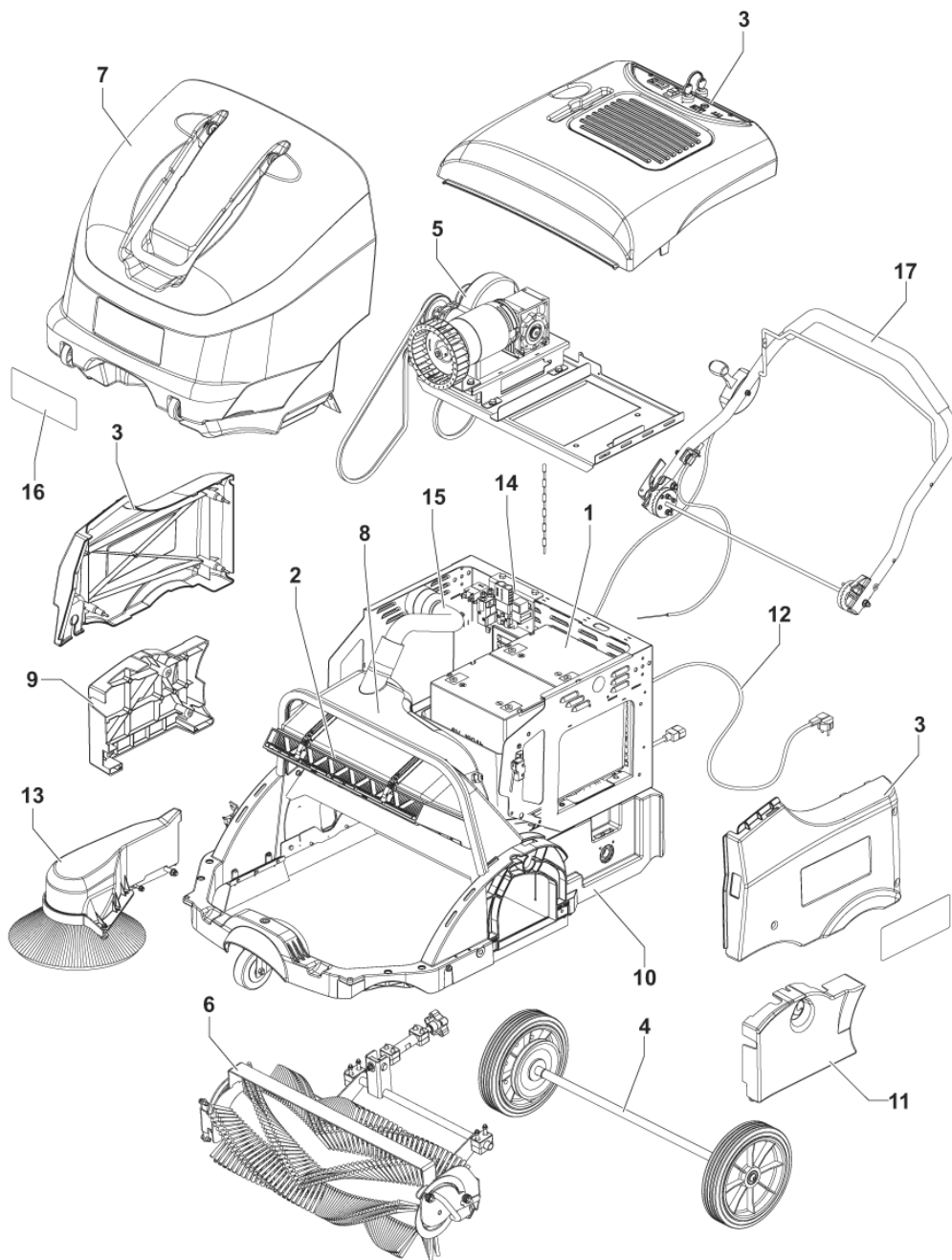


2022.05.11

# TABLE OF CONTENTS

---

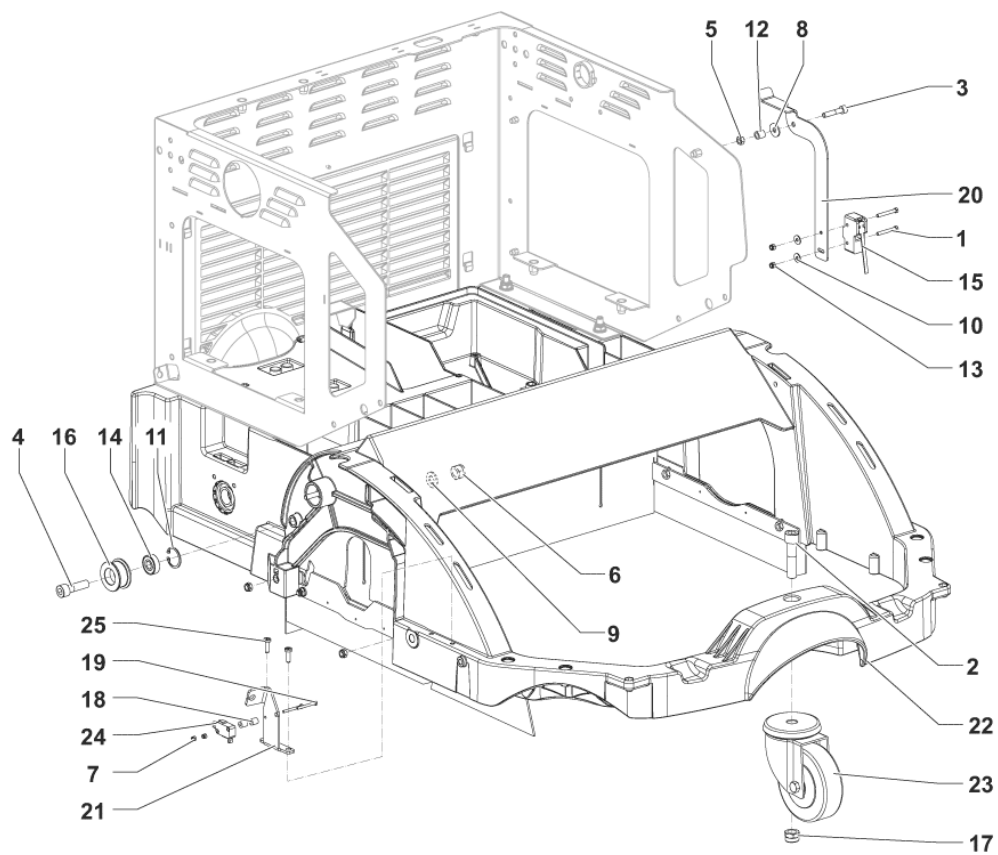
GENERAL VIEW .....	1
CHASSIS SYSTEM .....	3
CONTROL PANEL SYSTEM .....	5
COVERS SYSTEM .....	7
ELECTRICAL SYSTEM .....	9
FILTER SHAKER SYSTEM .....	11
FILTER SYSTEM .....	13
FRAME SYSTEM .....	15
HANDLE SYSTEM .....	17
HOPPER SYSTEM .....	19
MAIN BROOM SYSTEM .....	21
LEFT BROOM (OPTIONAL) .....	23
TRANSMISSION SYSTEM .....	26
WHEELS SYSTEM .....	28
SKIRT SYSTEM .....	30
OPTIONALS .....	32
RECOMMENDED SPARE PARTS .....	34
RIGHT BROOM .....	36
ACCESSORIES .....	38
WIRING DIAGRAM .....	40



Pos.	Artikel-Nr.	Menge	Variante	Notes
	1467862000	1	PALLET 930X1090MM 6 PCS SET	
	1467861000	1	PALLET 1200X1080MM CPL 6 PCS SET	
	1467860000	1	CARDBOARD BOX 1180X910X1060MM 10 PCS SET	
1	80564400	1	Gelbatterie Monoblock, 12V-105 Ah	[1]
1	80564600	1	Nassbatterie Monoblock, 12V-110 Ah	[2]
1	80564000	2	Gelbatterie Monoblock, 6V-180 Ah	[1]
1	80563211	2	Nassbatt. Monobl., 6V-175 Ah	[2]
2		1	FILTER ASSEMBLY	[3]
3		1	COVERS PROTECTION ASSEMBLY	[4]
4		1	WHEELS TRACTION ASSEMBLY	[5]
5		1	TRANSMISSION ASSEMBLY	[6]
6		1	MAIN BROOM ASSEMBLY	[7]
7		1	HOPPER ASSEMBLY	[8]
8		1	SHAKER ELECTRIC FILTER ASSEMBLY	[9]
9		1	HATCH RIGHT ASSEMBLY	[10]
10		1	CHASSIS ASSEMBLY	[11]
11		1	HATCH LEFT ASSEMBLY	[10]
12		1	BATTERY CHARGER ASSEMBLY	[12]
13		1	BROOM RIGHT SIDE ASSEMBLY	[13]
14		1	WIRING SYSTEM ASSEMBLY	[12]
15		1	WET BY-PASS ASSEMBLY	[14]
16	1465458000	1	DECALS SW900 84 B/P KIT	
17		1	HANDLE BAR ASSEMBLY	[15]

## Part Notes:

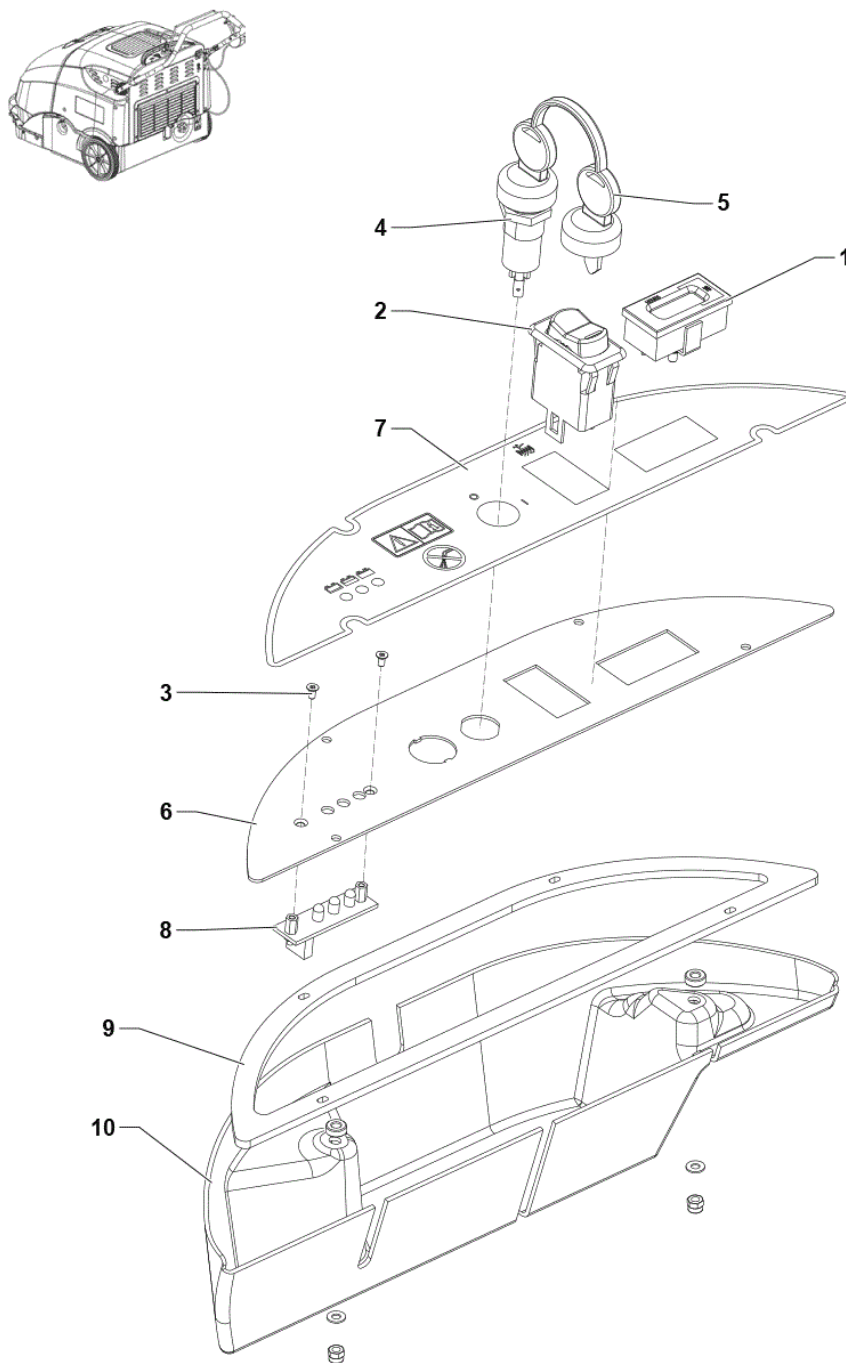
- [1] - OPTIONAL  
 TSB-FC-2019-033 Exide GEL battery  
 DE TSB-FC-2019-033 Exide GEL Batterien
- [2] - OPTIONAL
- [3] - SEEFILTER SYSTEM
- [4] - SEECOVERS SYSTEM
- [5] - SEE WHEELS SYSTEM
- [6] - SEE TRASMISSION SYSTEM
- [7] - SEE MAIN BROOM SYSTEM
- [8] - SEE HOPPER SYSTEM
- [9] - SEE FILTER SHAKER SYSTEM
- [10] - SEE COVERS SYSTEM
- [11] - SEE CHASSIS SYSTEM
- [12] - SEE ELECTRICAL SYSTEM
- [13] - SEE RIGHT BROOM
- [14] - SEE FILTER SYSTEM
- [15] - SEE HANDLE SYSTEM



Pos.	Artikel-Nr.	Menge	Variante	Notes
1		2	K1	
2		1	K1	
3		1	K1	
4		1	K1	
5		1	K1	
6		1	K1	
7		2	K1	
8		1	K1	
9		1	K1	
10		2	K1	
11		1	K1	
12		1	K1	
13		2	K1	
14		1	K1	
15	1466506000	1	MICROSWITCH 10A 250V PKD	
16		1	K1	
17		1	K1	
18		2	K1	
19		2	K1	
20	1464998000	1	BRACKET FOR CONTAINER-COVER SWITCH	
21	1465013000	1	SUPPORT RIGHT SIDE BROOM SWITCH	
22	1467829000	1	CHASSIS PLAST. SIP	
23	909 6602 000	1	Lenkrolle	
24	9100000792	1	MICROSWITCH 16A 250V PKD	
25		2	K1	
K1	1465461000	1	HARDWARE CHASSIS KIT	[1]

## Part Notes:

[1] - NOT SHOWN

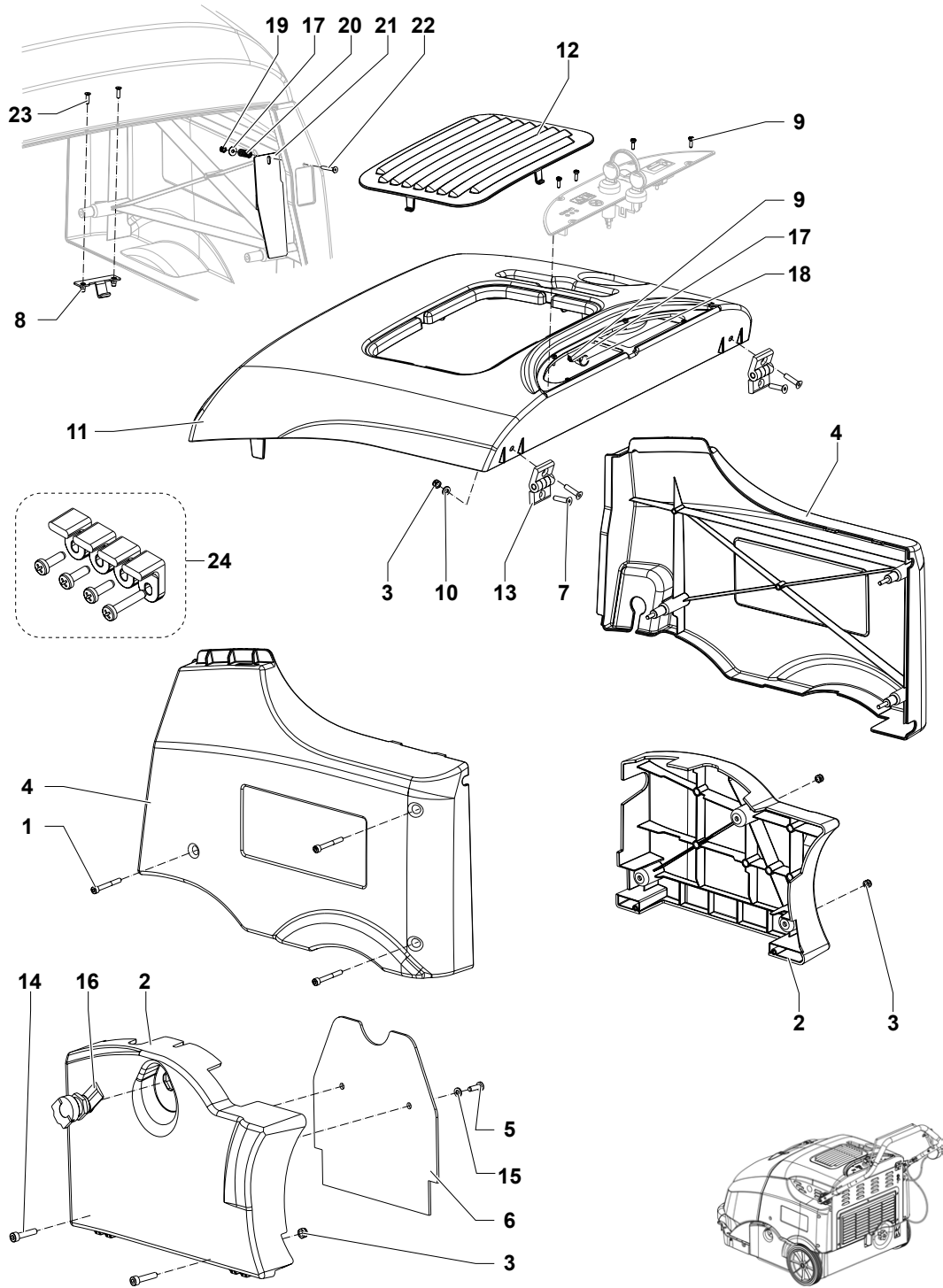


Pos.	Artikel-Nr.	Menge	Variante	Notes
1	9096951000	1	Betriebsstundenzähler 24V	
2	1465465000	1	Schalterkit	
3	909 5284 000	2	SCREW M3X6 C/SUNK FLAT HD PHIL ISO7046	
4	9100001354	1	Schlüsselschalter komplett	
5	146 2887 000	1	Schlüssel (2 Stück)	
6	1464765000	1	PANEL CONTROL	[1]
6	1467613000	1	PANEL CONTROL GALV. KIT	[2]
7	1465010000	1	AUFKLEBER KONTROLLANZEIGE	
8	146 3073 000	1	BOARD LED	
9	1467612000	1	GASKET F CONTROL PANEL SIP	[2]
10	1467614000	1	COVER PLASTIC F PANEL CONTROL KIT	[2]

## Part Notes:

- [1] - STOCK COVERS GUARANTEE  
UNTIL S/N - 3810180400034
- [2] - STARTING FROM S/N - 3810180400035

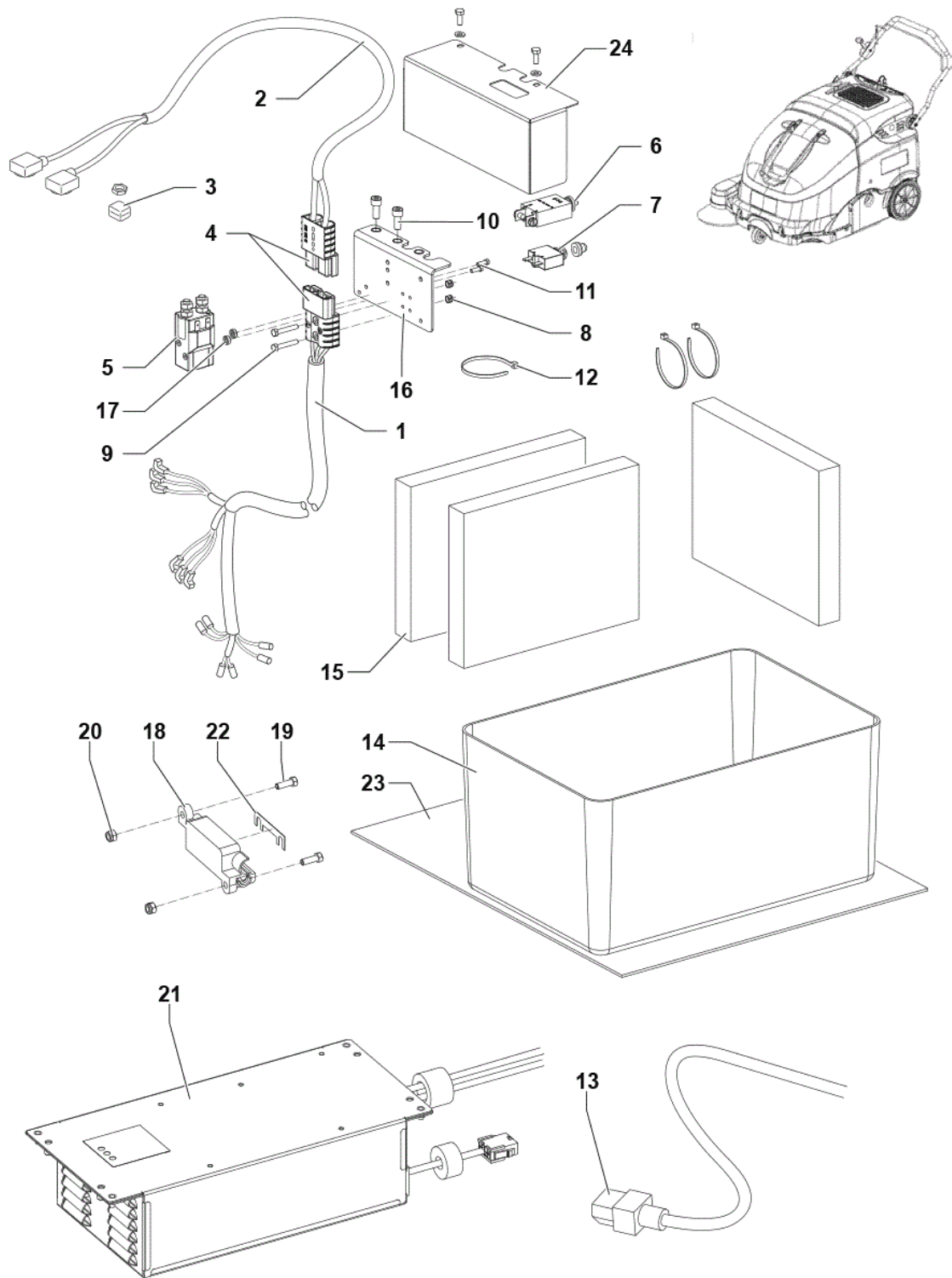




Pos.	Artikel-Nr.	Menge	Variante	Notes
1		6	K1	
2	1465545000	1	COVER UPPER BLACK KIT	
3		5	K1	
4	1465546000	1	COVERS SIDE GREY KIT	
5		2	K1	
6	1465104000	1	SKIRT PROTECTION	
7		4	K1	
8	1465482000	1	HOOK MET. YELLOW FOR BONNET CLOSING	
9		5	K1	
10		2	K1	
11	1466000000	1	COVER UPPER GREY PKD	
12	1464696000	1	Abdeckung f. Batterie	
13		2	K1	
14		2	K1	
15		2	K1	
16	1464896000	1	LATCH WITH FOLD AWAY	
17		2	K1	
18		1	K1	
19		1	K1	
20		1	K1	
21	1465527000	1	PROTECTION POLY FOR MICROSWITCH	
22		1	K1	
23		2	K1	
24	1465920000	1	FIXING COVER KIT	
K1	1465464000	1	HARDWARE COVERS KIT	[1]

## Part Notes:

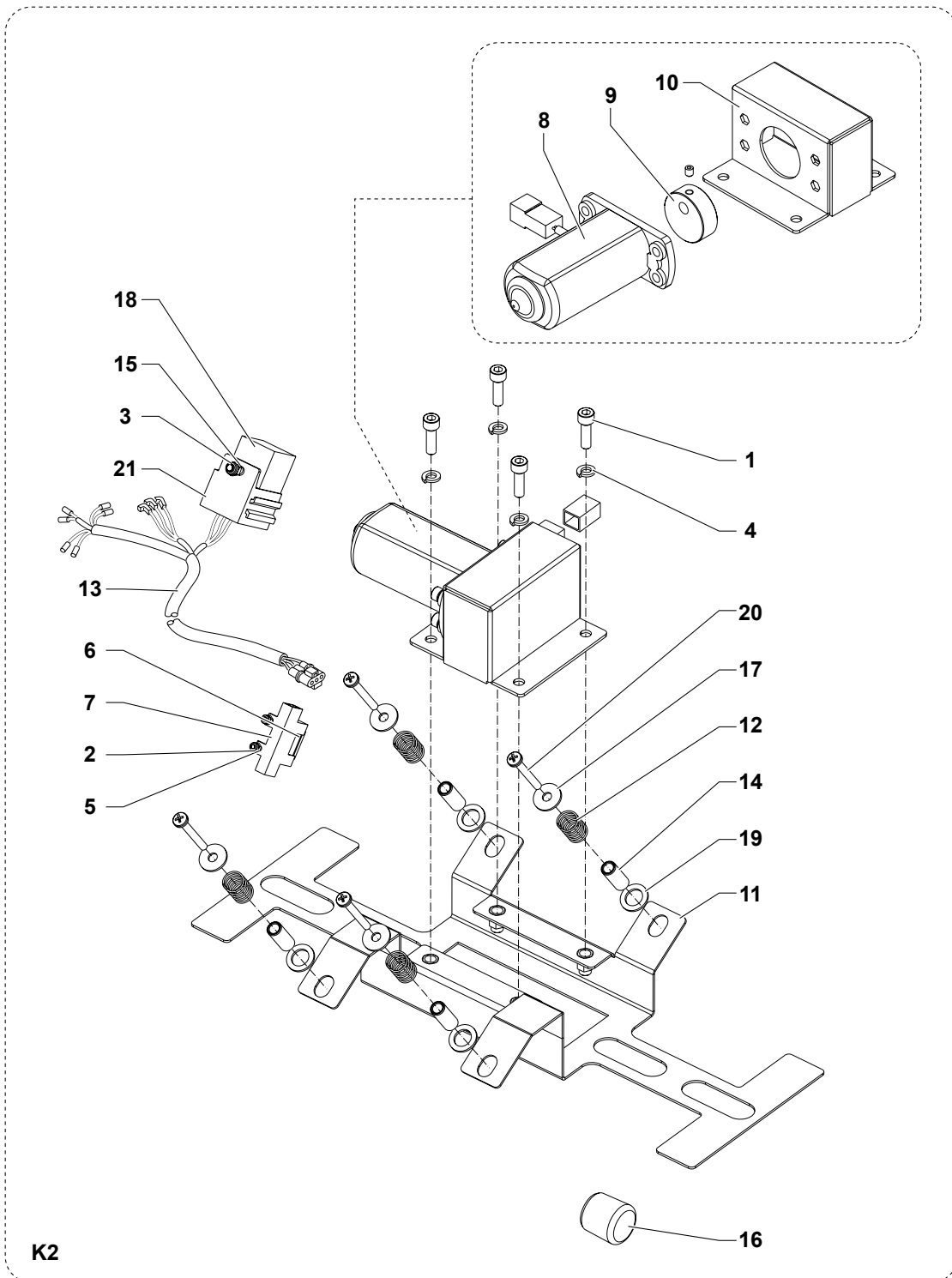
[1] - Not Shown - Included Pos. No 1-3-5-7-9-10-13-14-15-17-18-19-20-22-23



Pos.	Artikel-Nr.	Menge	Variante	Notes
1	1465496000	1	HARNESS MACHINE B W/EL. SHAKER VERSION	[1]
1	1467624000		HARNESS MACHINE B W/EL. SHAKER VERS. SIP	[2]
1	1465495000	1	HARNESS MACHINE B	[3]
1	1467623000	1	HARNESS MACHINE B SIP	[4]
2	1464992000	1	HARNESS BATTERY	[5]
2	1467652000	1	HARNESS BATTERY UL SIP	[6]
3	9099756000	1	FUSE 125A	
4	146 0747 000	2	CONNECTOR 120A GREY	
5	1464904000	1	SWITCH ELECTROMAGNETIC 12V 100A	
6	1465606000	1	CIRCUIT BREAKER 70A KIT	
7	1465605000	1	CIRCUIT BREAKER 5A KIT	
8		2	K1	
9		2	K1	
10		2	K1	
11		2	K1	
12		3	K1	
13	9100001758	1	CABLE EXTENS. EU L 2200MM W/FERRITE KIT	[5]
13	9100001757	1	CABLE EXTENSION US PLUG L.1500MM KIT	[6]
14	145 5252 000	1	Batterietrog	
15	146 0668 000	3	Isolierplatte	
16	1467615000	1	BRACKET GALV. F SUPP RELAY/FUSES KIT	
17		2	K1	
18	145 8046 000	1	SicherungshalterG11-05000	
19		2	K1	
20		2	K1	
21	1466519000	1	CHARGER BATT.ON BOARD 12V 25A PKD	
22	1465102000	1	FUSE STRIP 30A	
23	1465500000	1	RUBBER PROTECTION CHARGER	
24	1467616000	1	COVER MET BLACK BATTERY EL. SYSTEM KIT	[7]
K1	1465478000	1	HARDWARE ELECTRICAL SYSTEM KIT	[8]

## Part Notes:

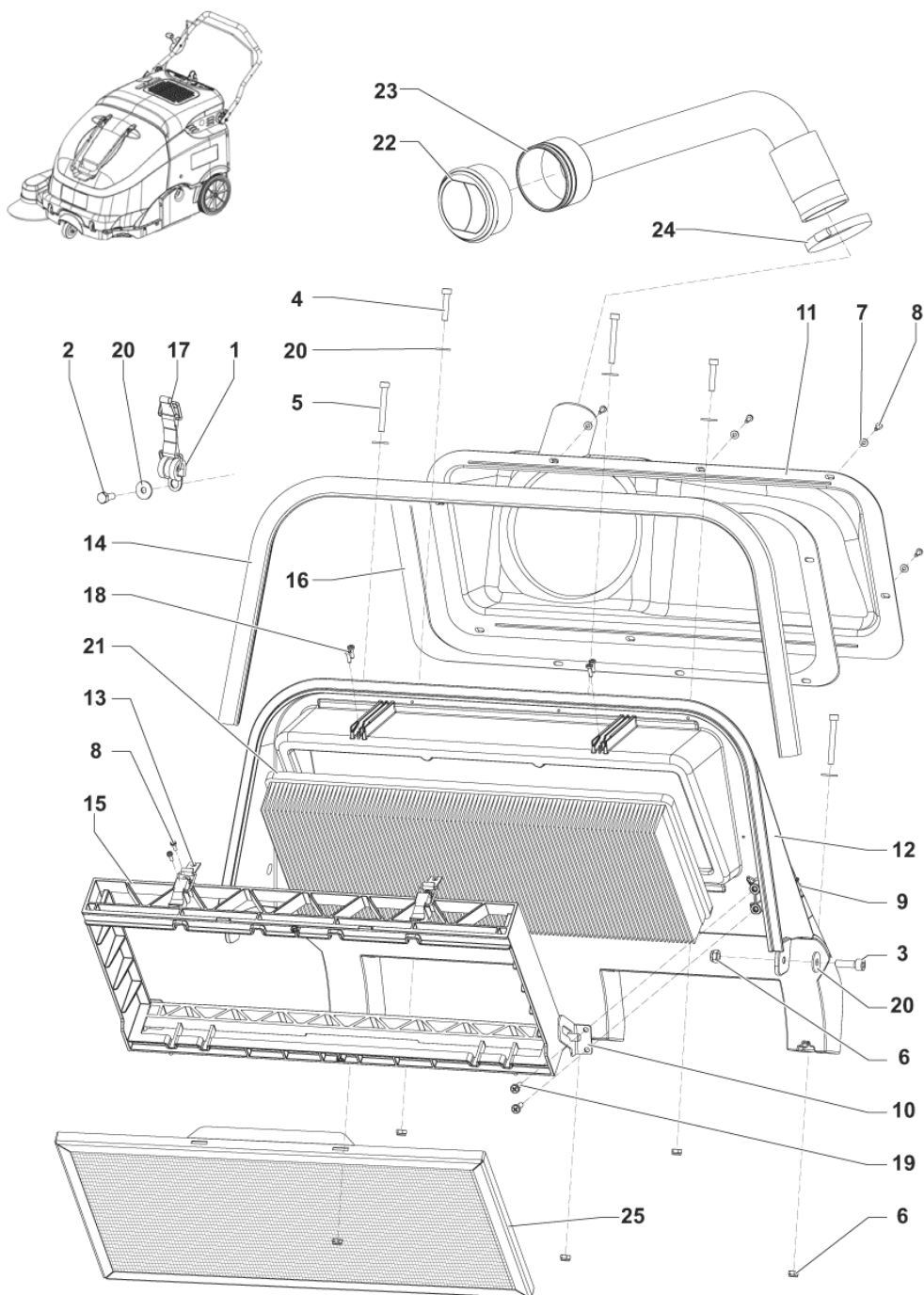
- [1] - STOCK COVERS GUARANTEE  
EU VERSION ONLY - UNTIL S/N -
- [2] - EU VERSION ONLY -STARTING FROMS/N -
- [3] - STOCK COVERS GUARANTEE  
US VERSION ONLY - UNTIL S/N -
- [4] - US VERSION ONLY- STARTING FROM S/N -
- [5] - EU VERSION ONLY
- [6] - US VERSION ONLY
- [7] - STARTING FROM S/N -
- [8] - NOT SHOWN



Pos.	Artikel-Nr.	Menge	Variante	Notes
1		4	K1	
2		2	K1	
3		1	K1	
4		4	K1	
5		2	K1	
6	145 9852 000	1	FUSE BLADE 5A UL	
7	1467035000	1	HOLDER FUSE THERMOPL.UL 94-V0 SIP	
8	146 0527 000	1	Filterrüttelmotor f.	
9	1466857000	1	CAM F FILTER SHAKER KIT	
10	1466335000	1	BRACKET FILTER SHAKER PKD	
11		1	K1	
12		4	K1	
13	1465143000	1	HARNESSE FILTER SHAKER	[1]
14		4	K1	
15		1	K1	
16		1	K1	
17		4	K1	
18	9098441000	1	Relais 12V	
19		4	K1	
20		4	K1	
21	33009104	1	SOCKET F MINI RELAY	[1]
K1	1465473000	1	HARDWARE EL. FILTER SHAKER KIT	[2]
K2	1465474000	1	Filterrüttler Set	[3]
K2	1467677000	1	FILTER SHAKER ELECTRIC KIT	[4]

Part Notes:

- [1] - STOCK COVERS GUARANTEE
- [2] - NOT SHOWN
- [3] - PRUNED ACCESSORY
  
- UNTIL S/N -  
SEE INST. INSTR. 1465627000
- [4] - STARTING FROM S/N -  
SEE INST. INSTR. 1467676000

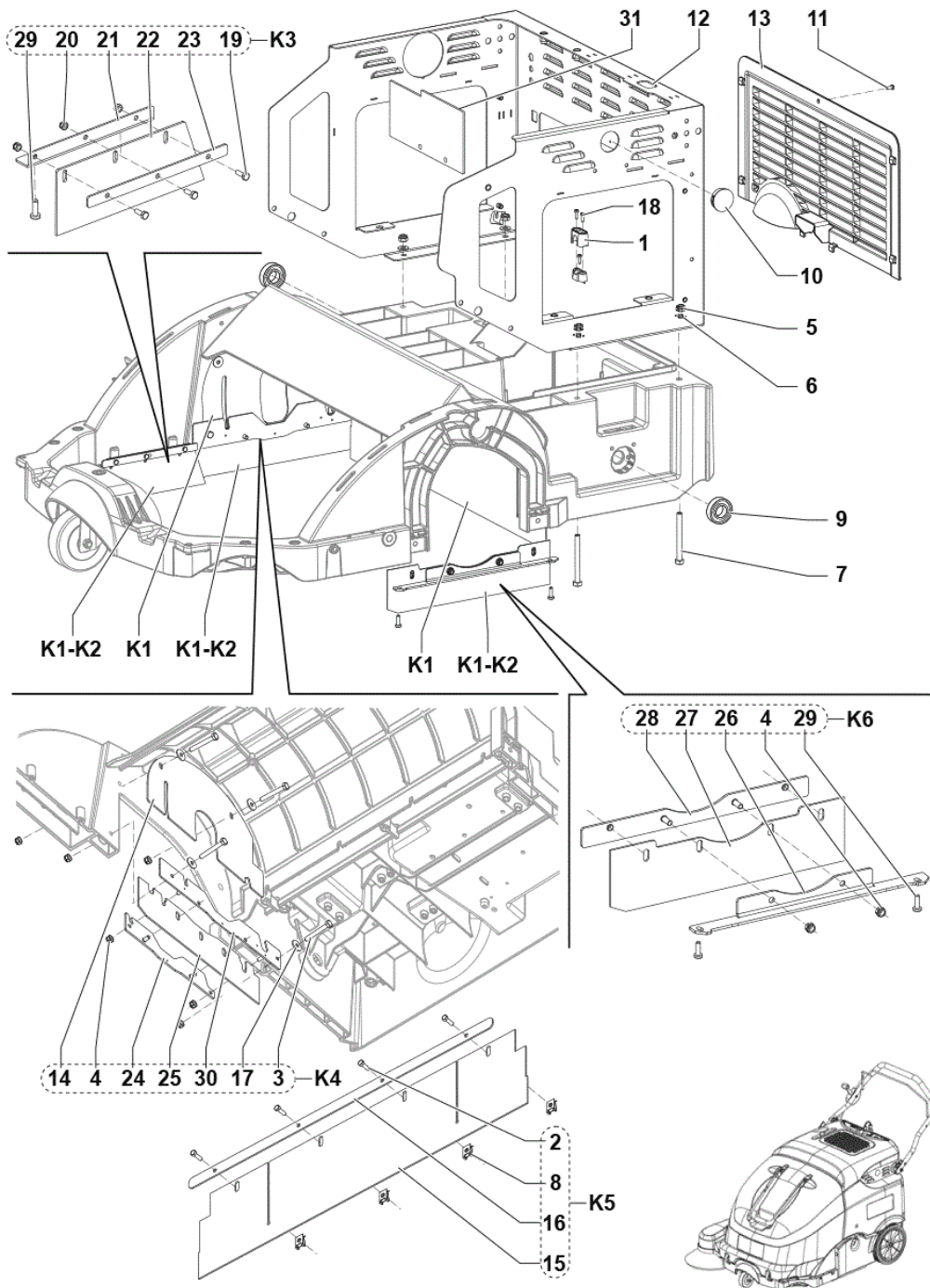


Pos.	Artikel-Nr.	Menge	Variante	Notes
1	33003435	1	DOUBLE COLLAR D5	
2		1	K1	
3		2	K1	
4		2	K1	
5		3	K1	
6		8	K1	
7		8	K1	
8		12	K1	
9	1467722000	1	CLIP GALV.FOR SCREW M5 2 PCS SET	
10		2	K1	
11	1466080000	1	CONVEYOR AIR SIP	
12		1	K1	
13	1464884000	2	LOCK KIT	
14	1465610000	1	GASKET BULB REINFORCED L.1070MM PKD	
15	1465146000	1	FRAME FOR PANEL FILTER	
16	1465517000	1	GASKET FOR CONVEYOR	
17	1465525000	1	LATCH RUBBER	
18		4	K1	
19		4	K1	
20		9	K1	
21	1464691000	1	Filter Polyester	
21	1464902000	1	Filter Papier	[1]
22	33010103	1	Düse (Lüftung)	
23	1464887000	1	HOSE WET BY-PASS	
24	9100001348	1	CLAMP 14/32-52 10 PCS SET	
25	1465018000	1	Vorfilter	[1]
K1	1465472000	1	SUPPORT FILTER KIT	[2]

Part Notes:

- [1] - OPTIONAL
- [2] - NOT SHOWN

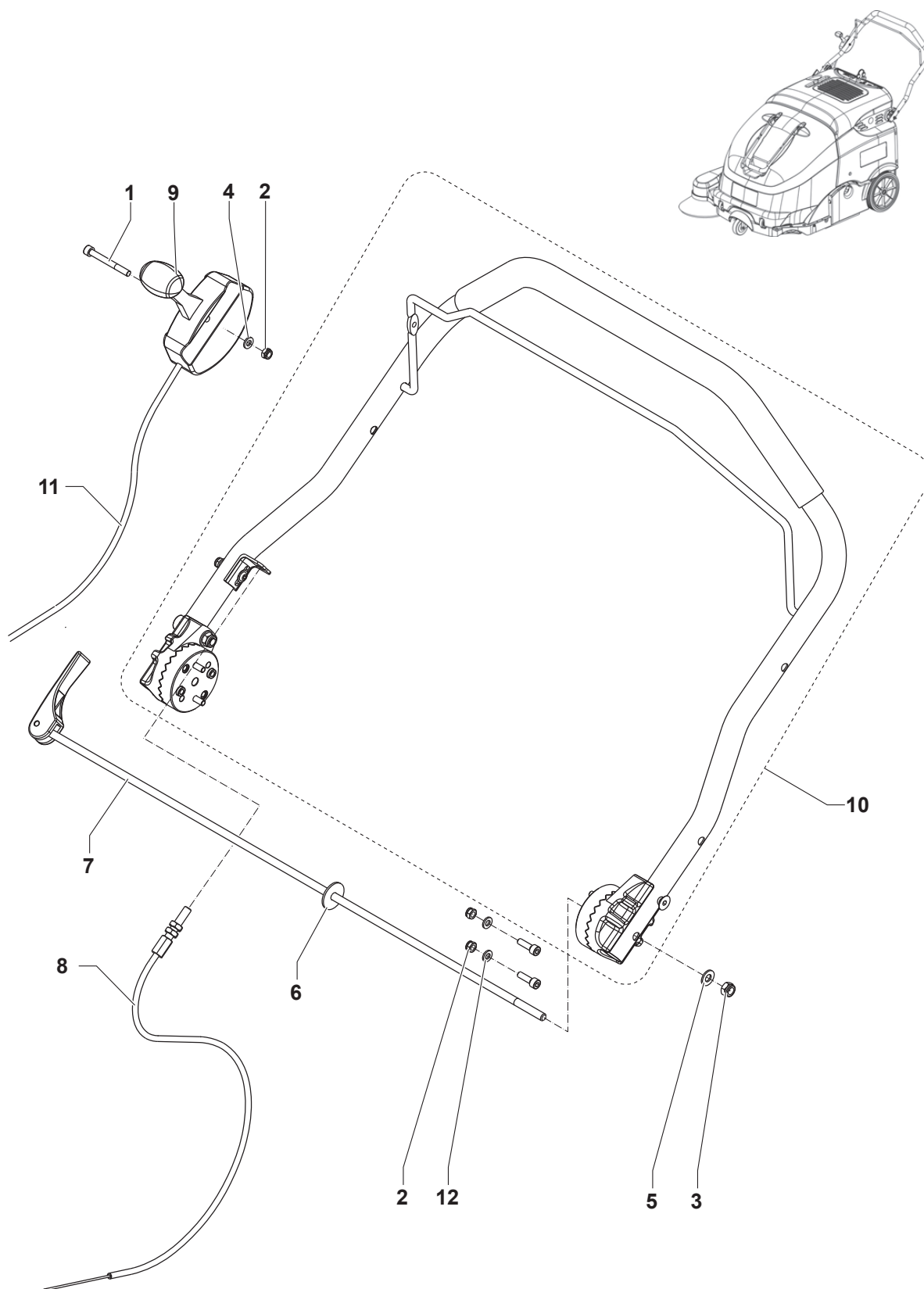




Pos.	Artikel-Nr.	Menge	Variante	Notes
1		1	K7	
2		4	K5-K7	
3		4	K4-K7	
4		6	K4-K7	
5		4	K7	
6		4	K7	
7		4	K7	
8	1467722000	2	CLIP GALV.FOR SCREW M5 2 PCS SET	
9		2	K7	
10	145 9835 000	1	CAP D.38.1	
11		1	K7	
12	1464654000	1	CHASSIS REAR	[1]
12	1467619000	1	PANEL MET. BLACK F CHASSIS SIP	[2]
13	1464655000	1	GRID REAR VENTING	
14		1	K1-K4	
15		1	K1-K5	
16		1	K5-K7	
17		2	K4-K7	
18		3	K7	
19		3	K3-K7	
20		3	K3	
21		1	K3	
22		1	K1-K3	
23		1	K3	
24		1	K4	
25		1	K1-K4	
26		1	K6	
27		1	K1-K6	
28		1	K6	
29		4	K3-K6	
30		1	K4	
31	1467621000	1	COVER PLASTIC REAR F SLOTS KIT	[3]
K1	1465463000	1	SKIRTS KIT	[4]
K2	1465541000	1	Seitenschürzen-Set, n. mark.	[5]
K3	1465595000	1	SKIRTS RECYCLING KIT	[4]
K4	1465596000	1	SKIRT RIGHT SIDE KIT	[4]
K5	1465597000	1	SKIRT REAR KIT	[4]
K6	1465598000	1	SKIRT LEFT SIDE KIT	[4]
K7	1465462000	1	HARDWARE REAR CHASSIS KIT	[6]

Part Notes:

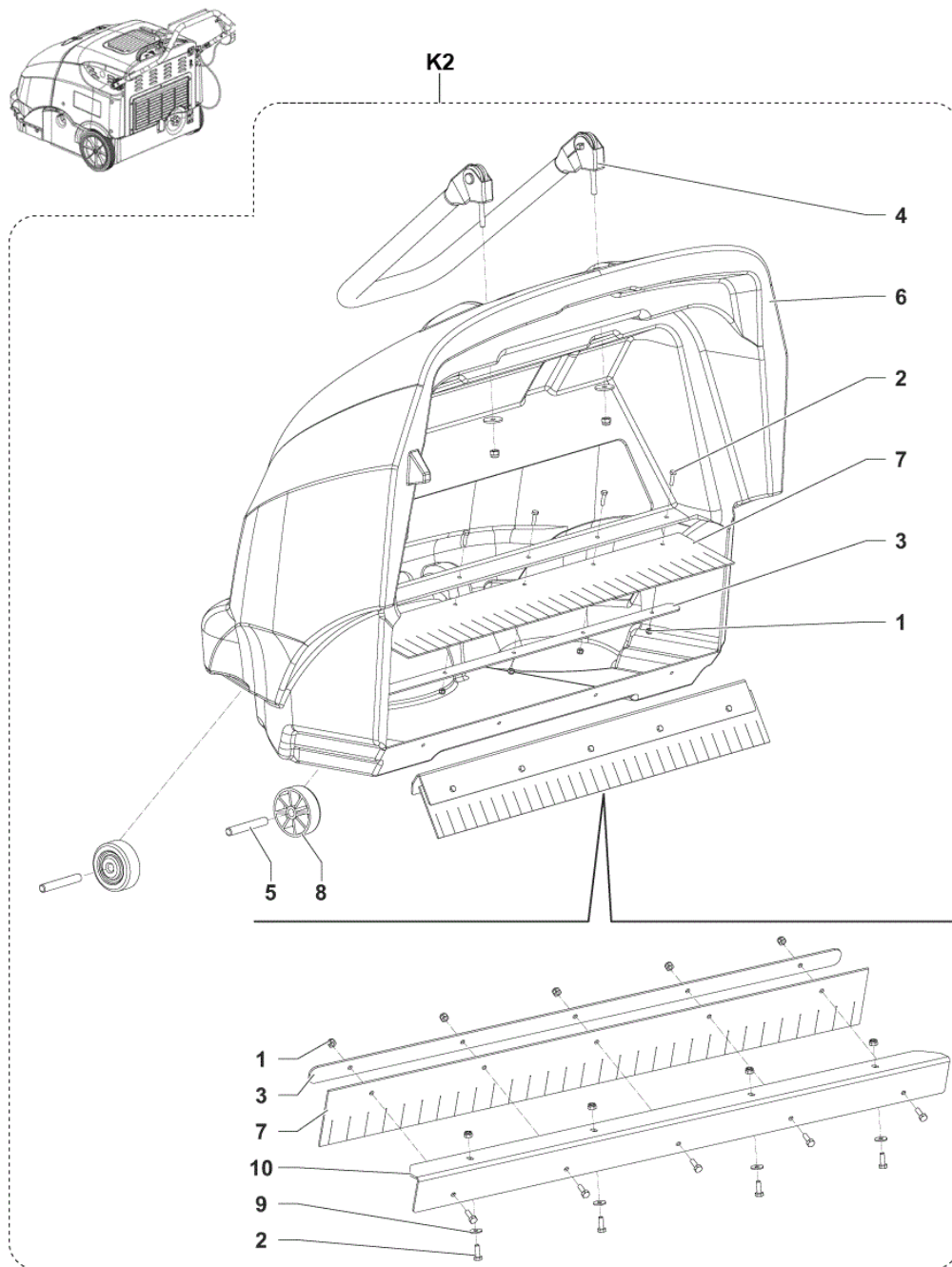
- [1] - GUARANTEE DATE EXPIRED UNTIL S/N -
- [2] - STARTING FROM S/N -
- [3] - STARTING FROM S/N - 3810180400035 - 02/02/2018
- [4] - STOCK COVERS GUARANTEE UNTIL MACHINE S.No 3810152500015
- [5] - OPTIONAL
- [6] - NOT SHOWN



Pos.	Artikel-Nr.	Menge	Variante	Notes
1		1	K1	
2		6	K1	
3		1	K1	
4		1	K1	
5		1	K1	
6		1	K1	
7	1464673000	1	Hebel	
8	1464908000	1	CABLE TRACTION	
9	1465017000	1	LEVER RIGHT SIDE BROOM CONTROL	
10	1465222000	1	HANDLE BAR STRAIGHT	
11	1465532000	1	CABLE FOR SIDE BROOM LEVER	
12		4	K1	
K1	1465466000	1	HARDWARE HANDLE KIT	[1]

Part Notes:

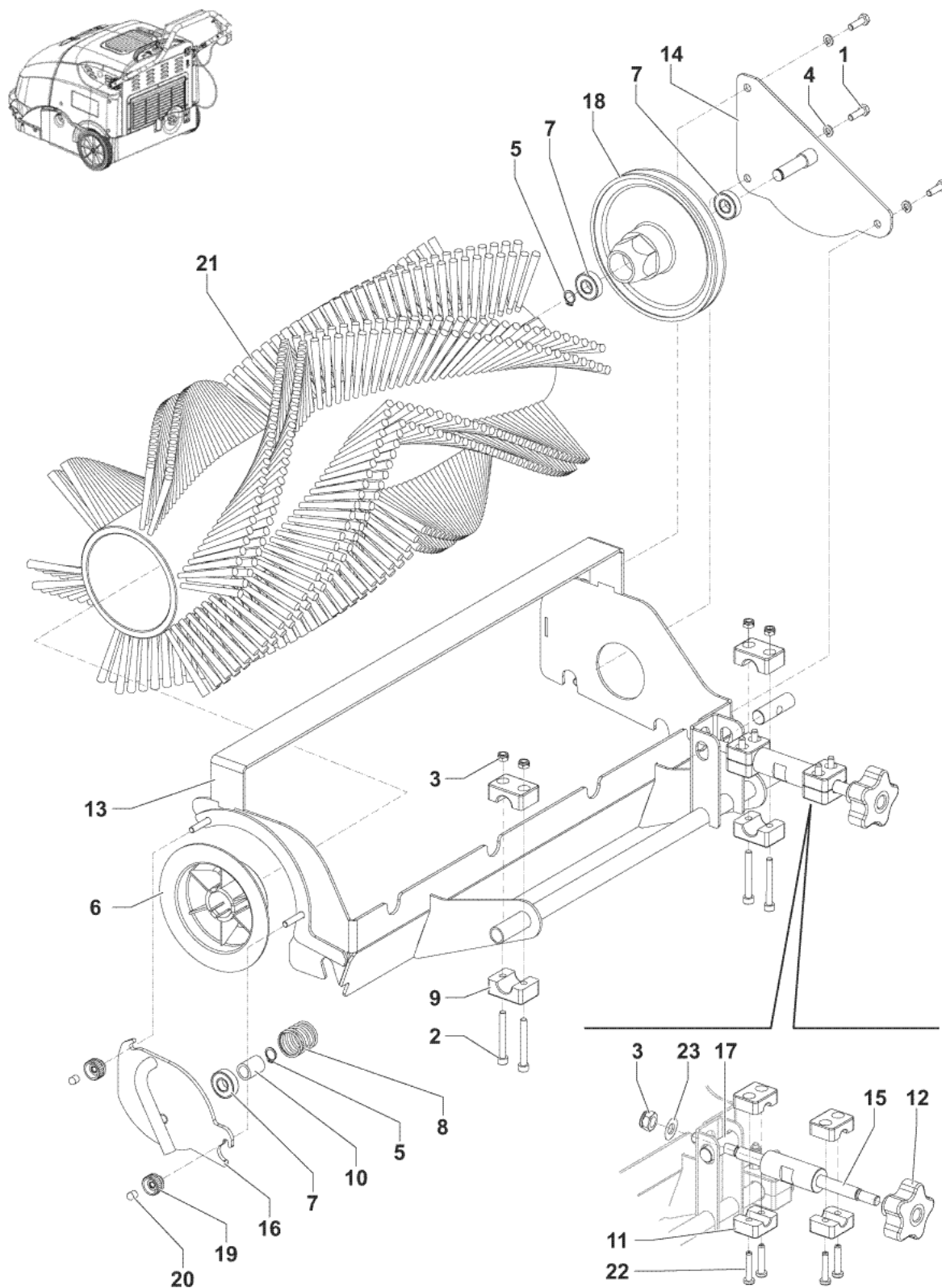
[1] - NOT SHOWN



Pos.	Artikel-Nr.	Menge	Variante	Notes
1		14	K1	
2		14	K1	
3		2	K1	
4	1465477000	1	HANDLE WASTE CONTAINER KIT	
5	1464997000	2	PIN D.9.5X70	
6	1465016000	1	CONTAINER WASTE PLAST. GREY	
7	1465476000	1	SKIRTS WASTE CONTAINER KIT	
8	L08602460	2	Ablenkrolle BA 430 S	
9		9	K1	
10		1	K1	
K1	1465475000	1	HARDWARE WASTE CONTAINER KIT	[1]
K2	1465548000	1	CONTAINER WASTE PLAST. GREY KIT	

Part Notes:

[1] - NOT SHOWN

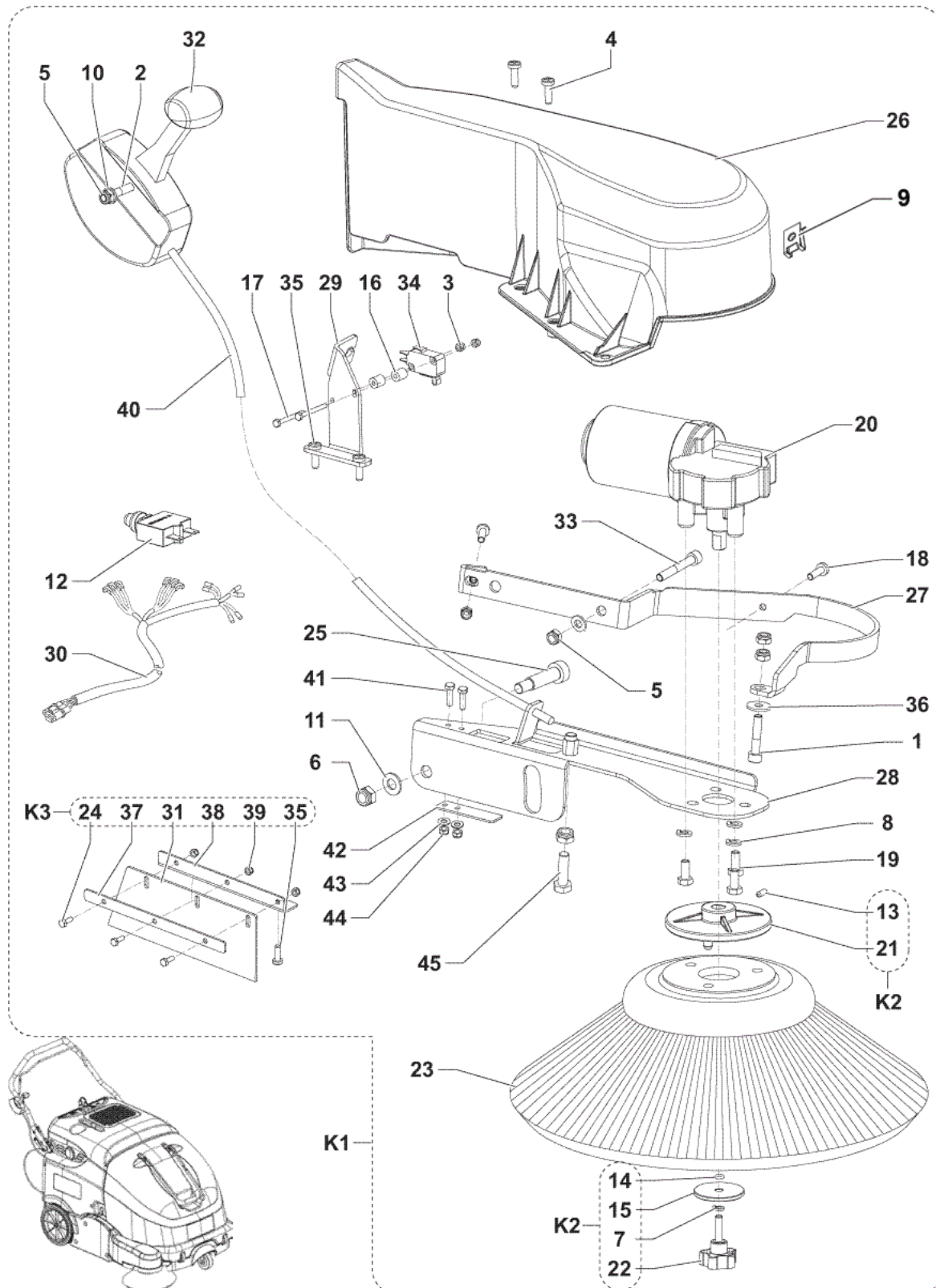


Pos.	Artikel-Nr.	Menge	Variante	Notes
1		3	K1	
2		4	K1	
3		5	K1	
4		3	K1	
5		2	K1	
6	1467023000	1	HUB LEFT MAIN BROOM PKD	
7	44905699	3	BEARING BALL 6001 2RS PKD	
8		1	K1	
9		2	K1	
10		1	K1	
11		2	K1	
12	1464476000	1	KNOB LOBES M10 F. W/YELLOW CAP	
13	1465487000	1	SUPPORT MAIN BROOM GALV.	
14	1467589000	1	SUPPORT BROOM PULLEY GALV. SIP	
15	1464689000	1	SCREW BROOM ADJUSTMENT	
16	1467590000	1	SUPPORT IDLE HUB SIP	
17		1	K1	
18	1467808000	1	PULLEY MAIN BROOM SIP	
19	1464885000	2	KNOB KNURLED M6 FEMALE PLASTIC	
20		2	K1	
21	1465215000	1	Kehrwalze PP 0,5-0,8 265x600 mm	
21	1466493000	1	BROOM MAIN 265X620 10R PPL 0.3-0.5	[1]
21	1465216000	1	Kehrwalze PP Mix 5 265x600 mm	[2]
21	146 0750 000	1	Kehrwalze 265x600 mm, Stahlmix	[2]
22		4	K1	
23		1	K1	
K1	1465470000	1	HARDWARE MAIN BROOM KIT	[3]

Part Notes:

- [1] - STARTING MACHINE S.No 3810152500016 - SEE TSB-FC-2015-014  
DE TSB-FC-2015-014 SW900 Floortec 760 neue Schürzen
- [2] - OPTIONAL
- [3] - NOT SHOWN





## LEFT BROOM (OPTIONAL)

SW900 B NIL

2018.01.10

2018.01.18

Pos.	Artikel-Nr.	Menge	Variante	Notes
1		1	K4	
2		1	K4	
3		2	K4	
4		2	K4	
5		4	K4	
6		2	K4	
7		1	K2	
8		3	K4	
9	1467722000	1	CLIP GALV.FOR SCREW M5 2 PCS SET	
10		2	K4	
11		1	K4	
12	1465605000	1	CIRCUIT BREAKER 5A KIT	
13		1	K2	
14		1	K2	
15		1	K2	
16		2	K4	
17		2	K4	
18		2	K4	
19		3	K4	
20	1465999000	1	REDUCTION GEARMOTOR 40W 12V PKD	
21		1	K2	
22		1	K2	
23	146 3035 000	1	Seitenbesen 109x315 mm, PP 0,5	
23	146 3036 000	1	Seitenbesen 145x300 mm, Nylon	[1]
24		3	K3	
25		1	K4	
26	1464676000	1	COVER LEFT SIDE BROOM	
27	1465498000	1	BUMPER LEFT BROOM	
28	1465012000	1	SUPPORT LEFT SIDE BROOM	
29	1465014000	1	SUPPORT LEFT SIDE BROOM SWITCH	
30	1465142000	1	HARNES LEFT BROOM	
31		1	K3	
32	1465183000	1	LEVER W/CABLE LT SIDE BROOM CTRL	
33		1	K4	
34	9100000792	1	MICROSWITCH 16A 250V PKD	
35		4	K3-K4	
36		2	K4	
37		1	K3	
38		1	K3	
39		3	K3	
40	1465532000	1	CABLE FOR SIDE BROOM LEVER	
41		2	K4	
42		1	K4	
43		2	K4	
44		2	K4	
45		1	K4	
K1	1465408000	1	Seitenbesen-Set, links, PP	[2]
K1	1466497000	1	BROOM LEFT SIDE PPL W/RECYCLING KIT	[3]
K2	1463865000	1	Schraube SB SW 750	
K3	1465595000	1	SKIRTS RECYCLING KIT	[4]
K3	1466489000	1	SKIRT RECYCLING LT SIDE KIT	[5]
K4	1465471000	1	HARDWARE SIDE BROOM KIT	[6]

## Part Notes:

- [1] - OPTIONAL
- [2] - OPTIONAL - UNTIL S/N 3810152500015 - INST.INSTR.1465407000
- [3] - STARTING MACHINE S.No 3810152500016 - SEE TSB-FC-2015-014- INST. INSTR. 1466499000
- [4] - STOCK COVERS GUARANTEE UNTIL S/N 3810152500015

# LEFT BROOM (OPTIONAL)

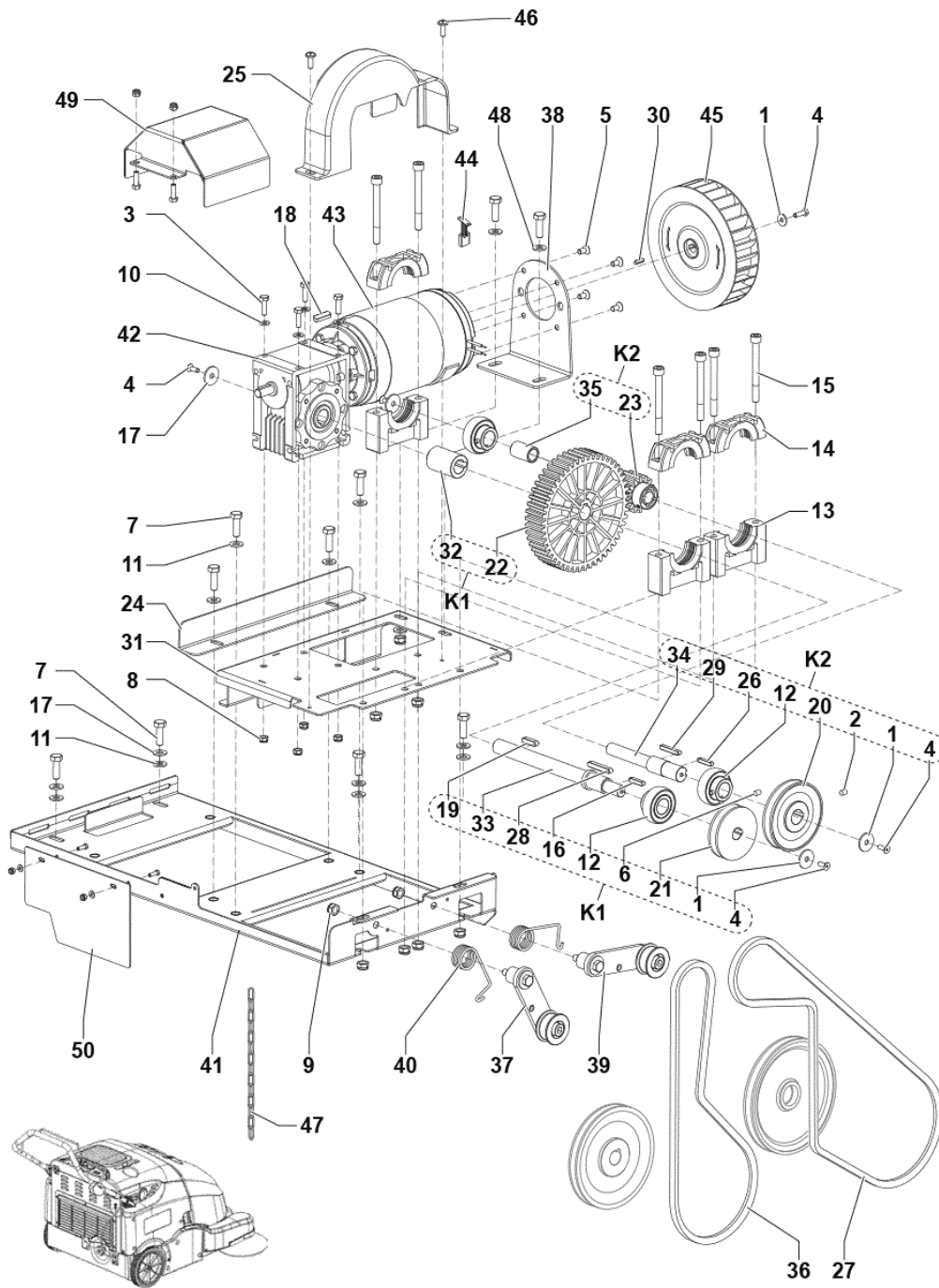
SW900 B NIL

2018.01.10

2018.01.18

---

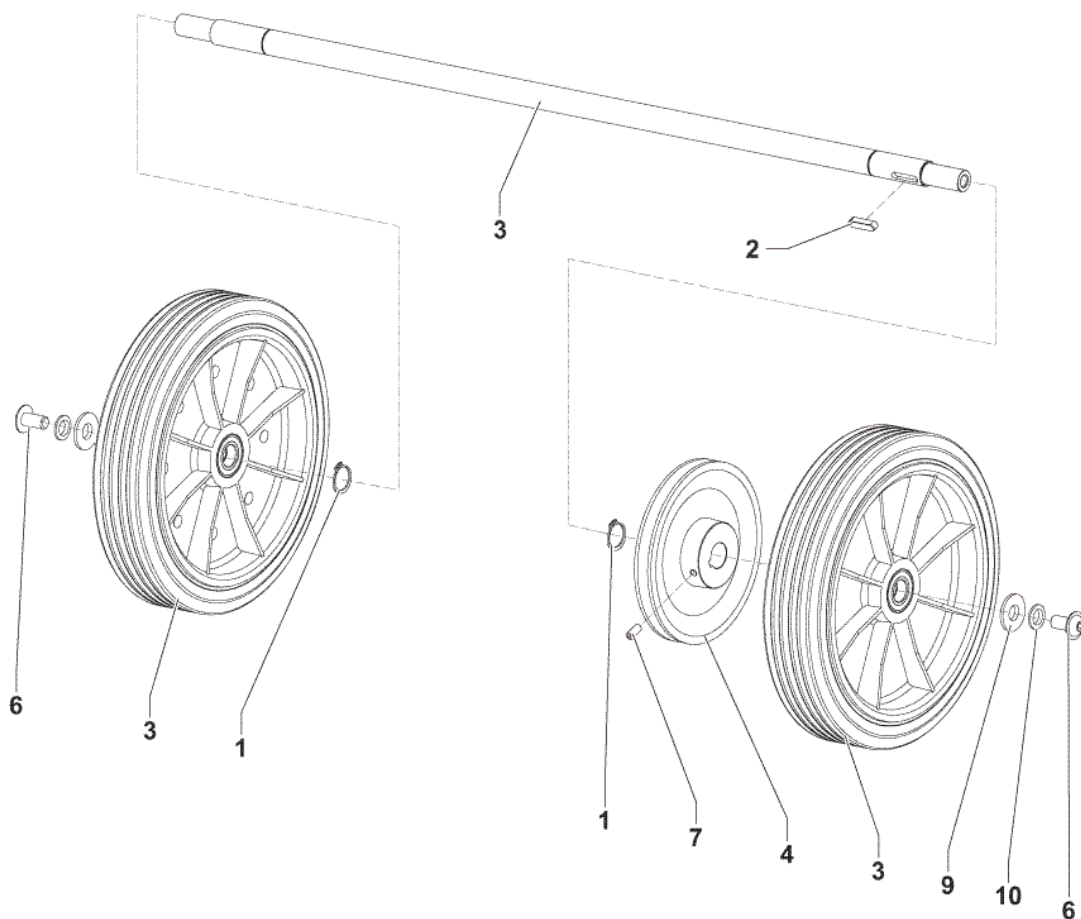
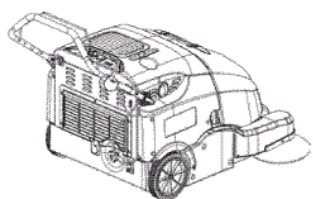
- [5] - STARTING MACHINE S.No 3810152500016 - SEE TSB-FC-2015-014- INST. INSTR. 1466485000
- [6] - NOT SHOWN



Pos.	Artikel-Nr.	Menge	Variante	Notes
1		5	K1-K2-K3	
2		1	K2	
3		4	K3	
4		5	K1-K2-K3	
5		4	K3	
6		1	K1	
7		10	K3	
8		4	K3	
9		8	K3	
10		8	K3	
11		8	K3	
12	145 1123 000	3	Lager YAT204	
13	145 1976 000	3	Lagerbock unten	
14	145 1977 000	3	Lagerbock oben	
15		6	K3	
16		1	K1	
17		6	K3	
18		1	K3	
19		1	K1	
20		1	K2	
21		1	K1	
22	1466521000	1	GEAR SPUR PLASTIC 150P 50T PKD	
23	1466522000	1	GEAR SPUR PLASTIC 42P 14T PKD	
24	146 0543 000	1	BRACKET BATTERY RETAINING	
25	146 0605 000	1	Deckel	
26		1	K3	
27	1467807000	1	BELT V COGGED XPZ 1140 SIP	
28		1	K1	
29		1	K3	
30		1	K3	
31	1464681000	1	SUPPORT GALV. GEAR BOX	
32		1	K1	
33		1	K1	
34		1	K2	
35		1	K2	
36	1467644000	1	BELT V COGGED XPZ 912 SIP	
37	1465601000	1	TENSIONER BELT WHEELS KIT	
38	1464703000	1	SUPPORT BEARING	
39	1465602000	1	TENSIONER BELT BROOM KIT	
40	1464719000	2	SPRING TORSION 2.8X24	
41	1464722000	1	PLATE TRANSMISSION SUPPORT	[1]
41	1467622000	1	PLATE TRANSMISSION SUPPORT GALV SIP	[2]
42	1464725000	1	REDUCTION GEAR COMPLETE	
43	1464744000	1	MOTOR ELECTRIC 12V 680W	
44	1464433000	1	Kohlebürsten-Kit (4St.)	
45	1464747000	1	FAN D.160 X40	
46		2	K3	
47	1465607000	1	CHAIN GROUND KIT	
48		4	K3	
49	1467620000	1	COVER MET.BLACK F MOTOR KIT	
50	1467618000	1	COVER PLASTIC BLACK F BATT. CHARGER KIT	
K1	1466784000	1	SHAFT TRACTION KIT	
K2	1466785000	1	SHAFT BROOM KIT	
K3	1465467000	1	HARDWARE TRASMISSION KIT	[3]

## Part Notes:

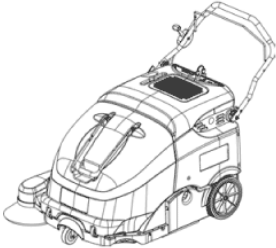
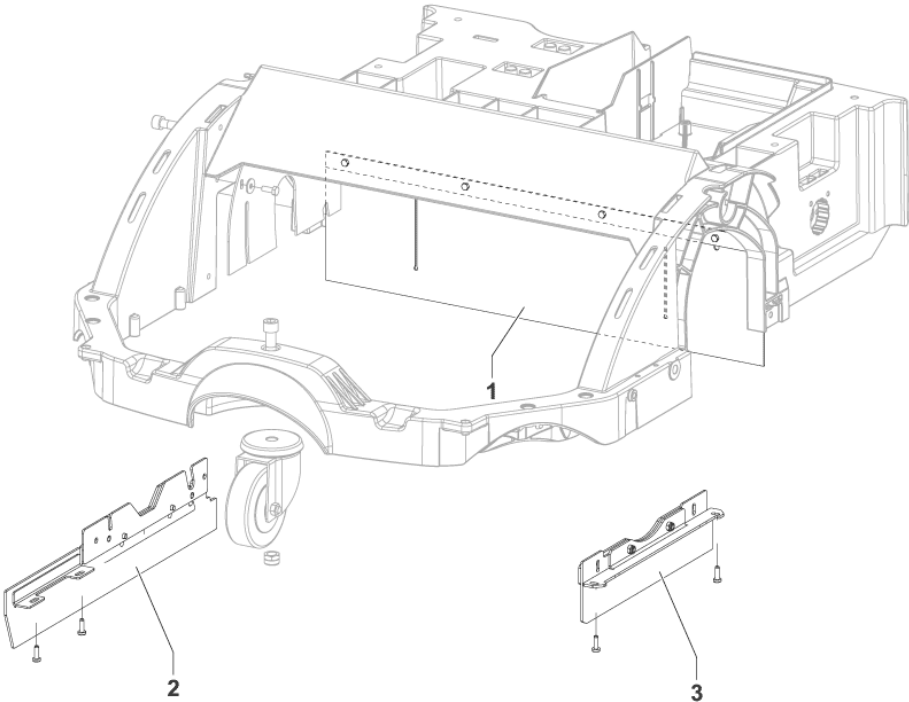
- [1] - NO LONGER AVAILABLE
- [2] - From production W6 2018
- [3] - NOT SHOWN



Pos.	Artikel-Nr.	Menge	Variante	Notes
1		2	K1	
2		1	K1	
3	1466077000	1	Schaft Kit Antriebsrad	[1]
4		1	K1	
6		2	K1	
7		1	K1	
9		2	K1	
10		2	K1	
K1	1465469000	1	HARDWARE WHEELS KIT	[2]

Part Notes:

- [1] - TSB-FC-2014-039
- [2] - NOT SHOWN





Pos.	Artikel-Nr.	Menge	Variante	Notes
1	1465597000	1	SKIRT REAR KIT	[1]
1	1466491000	1	SKIRT CENTRAL REAR KIT	[2]
2	1465596000	1	SKIRT RIGHT SIDE KIT	[1]
2	1465595000	1	SKIRTS RECYCLING KIT	[1]
2	1466488000	1	SKIRT RECYCLING RT SIDE KIT	[3]
3	1465598000	1	SKIRT LEFT SIDE KIT	[1]
3	1466490000	1	SKIRT LT SIDE KIT	[4]
3	1466489000	1	SKIRT RECYCLING LT SIDE KIT	[5]
4	1465463000	1	SKIRTS KIT	[6]

## Part Notes:

- [1] - STOCK COVERS GUARANTEE  
TILLMACHINE S.No 3810152500015 - SEE TSB-FC-2015-014
- [2] - STARTING MACHINE S.No 3810152500016 - SEE TSB-FC-2015-014
- [3] - STARTING MACHINE S.No 3810152500016 - SEE TSB-FC-2015-014- INST. INSTR. 1466484000
- [4] - STARTING MACHINE S.No 3810152500016 - SEE TSB-FC-2015-014  
FOR ONE SIDE BROOM ONLY
- [5] - STARTING MACHINE S.No 3810152500016 - SEETSB-FC-2015-014- INST. INSTR. 1466485000  
FOR TWO SIDE BROOMS ONLY
- [6] - STOCK COVERS GUARANTEE

TILLMACHINE S.No 3810152500015 - SEE TSB-FC-2015-014

NOT SHOWN (INCLUDED POS. 1, 2, 3)



Pos.	Artikel-Nr.	Menge	Variante	Notes
	80564400	1	Gelbatterie Monoblock, 12V-105 Ah	[1]
	80564600	1	Nassbatterie Monoblock, 12V-110 Ah	
	80563211	2	Nassbatt. Monobl., 6V-175 Ah	
	80564000	2	Gelbatterie Monoblock, 6V-180 Ah	[1]
	1465541000	1	Seitenschürzen-Set, n. mark.	
	1465216000	1	Kehrwalze PP Mix 5 265x600 mm	
	146 0750 000	1	Kehrwalze 265x600 mm, Stahlmix	
	146 3036 000	1	Seitenbesen 145x300 mm, Nylon	
	1465408000	1	Seitenbesen-Set, links, PP	
	1464902000	1	Filter Papier	
	1465018000	1	Vorfilter	
	1465480000	1	Filterrüttler Set manuell	

## Part Notes:

- [1] - TSB-FC-2019-033 Exide GEL battery  
DE TSB-FC-2019-033 Exide GEL Batterien



# RECOMMENDED SPARE PARTS

SW900 B NIL

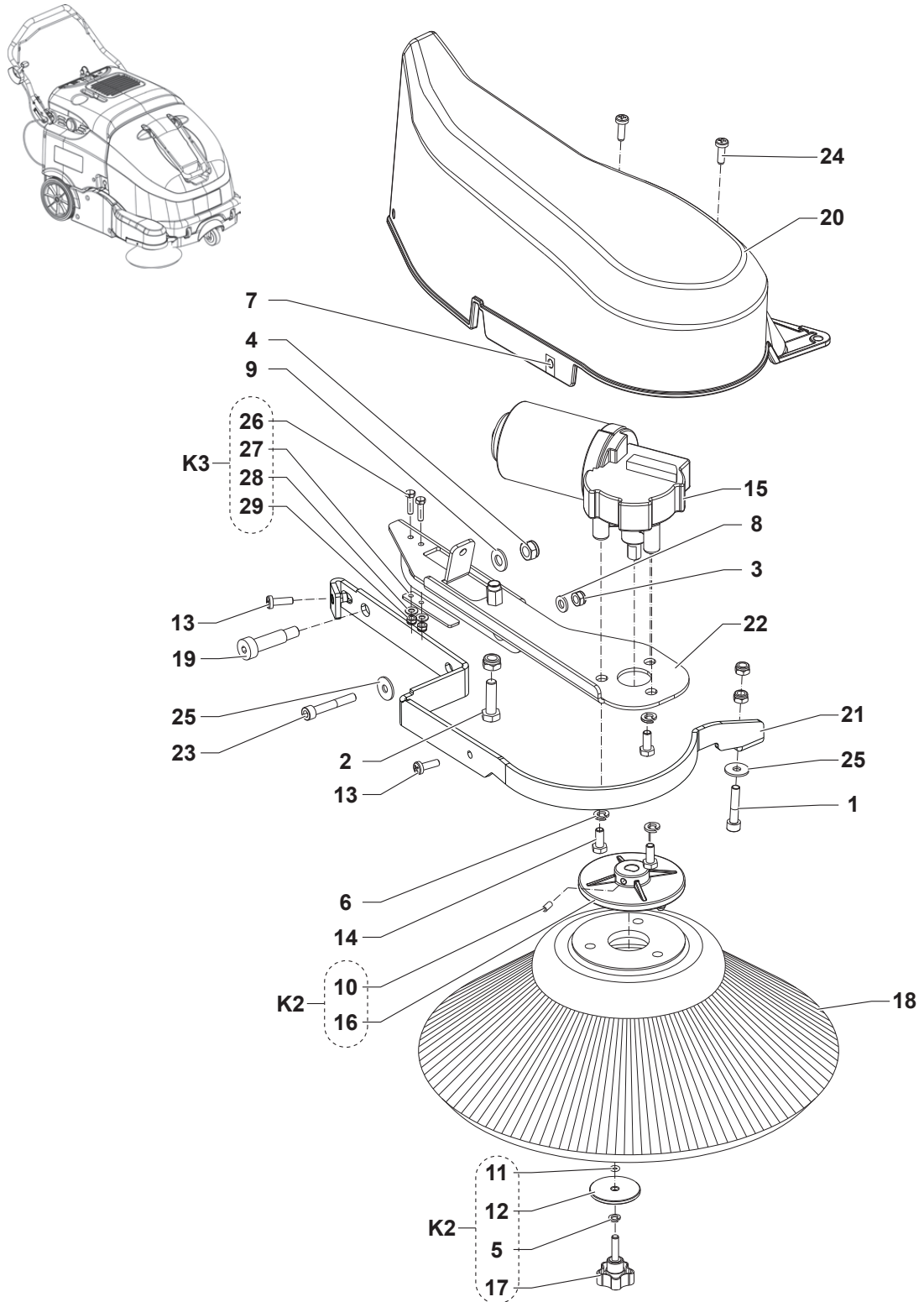
2017.11.02

2021.06.23

Pos.	Artikel-Nr.	Menge	Variante	Notes
			NORMAL WEAR - NW	
NW	1465215000	1	Kehrwalze PP 0,5-0,8 265x600 mm	
NW	1466493000	1	BROOM MAIN 265X620 10R PPL 0.3-0.5	[1]
NW	1466491000	1	SKIRT CENTRAL REAR KIT	[1]
NW	1466488000	1	SKIRT RECYCLING RT SIDE KIT	[2]
NW	1466490000	1	SKIRT LT SIDE KIT	[3]
NW	146 3035 000	1	Seitenbesen 109x315 mm, PP 0,5	
			ORDINARY MAINTENANCE - OM	
OM	1465610000	1	GASKET BULB REINFORCED L.1070MM PKD	
OM	1464902000	1	Filter Papier	
OM	1464691000	1	Filter Polyester	
OM	1464744000	1	MOTOR ELECTRIC 12V 680W	
OM	1464433000	1	Kohlebürsten-Kit (4St.)	
OM	1467644000	1	BELT V COGGED XPZ 912 SIP	
OM	1467807000	1	BELT V COGGED XPZ 1140 SIP	
OM	44905699	3	BEARING BALL 6001 2RS PKD	
OM	909 6602 000	1	Lenkrolle	
OM	1464908000	1	CABLE TRACTION	
OM	1465999000	1	REDUCTION GEAR MOTOR 40W 12V PKD	
			EXTRAORDINARY MAINTENANCE - EM	
EM	1465146000	1	FRAME FOR PANEL FILTER	
EM	1464884000	2	LOCK KIT	
EM	1464725000	1	REDUCTION GEAR COMPLETE	
EM	1466521000	1	GEAR SPUR PLASTIC 150P 50T PKD	
EM	1466522000	1	GEAR SPUR PLASTIC 42P 14T PKD	
EM	145 1123 000	3	Lager YAT204	
EM	1464719000	2	SPRING TORSION 2.8X24	
EM	1464476000	1	KNOB LOBES M10 F. W/YELLOW CAP	
EM	9100000792	1	MICROSWITCH 16A 250V PKD	
EM	1466506000	1	MICROSWITCH 10A 250V PKD	
EM	1465017000	1	LEVER RIGHT SIDE BROOM CONTROL	
EM	1465532000	1	CABLE FOR SIDE BROOM LEVER	

**Part Notes:**

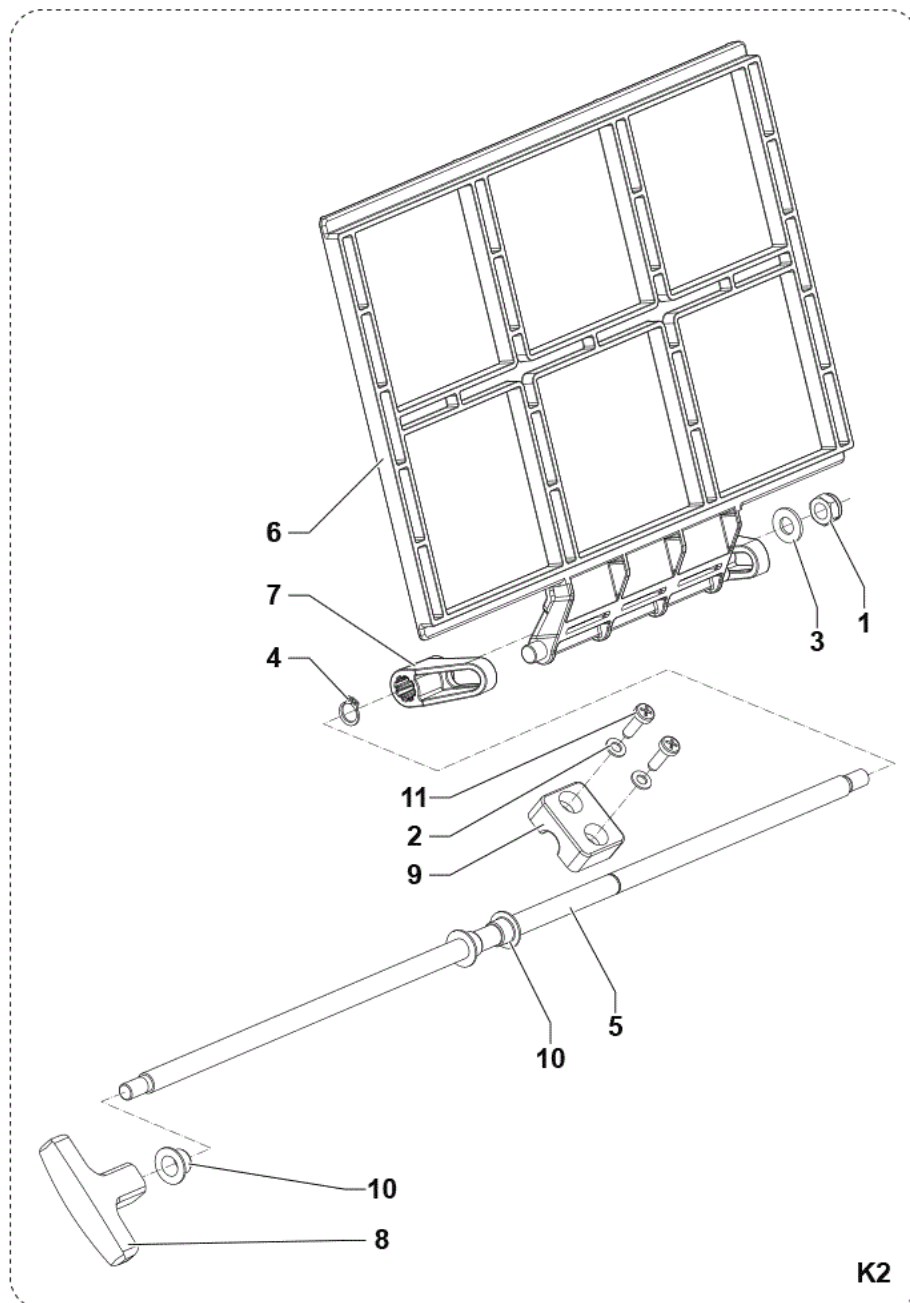
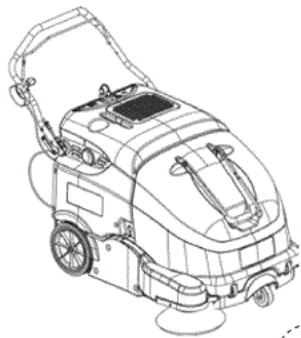
- [1] - Starting from S/N 381015250006 - See TSB-2015-014
- [2] - 1466484000 Installation instr. Starting from S/N 3810152500016 - See TSB-2015-014
- [3] - For only one side broom - Starting from S/N 3810152500016 - See TSB-FC2015-014



Pos.	Artikel-Nr.	Menge	Variante	Notes
1		1	K1	
2		1	K1	
3		3	K1	
4		2	K1	
5		1	K2	
6		3	K1	
7	1467722000	1	CLIP GALV.FOR SCREW M5 2 PCS SET	
8		1	K1	
9		1	K1	
10		1	K2	
11		1	K2	
12		1	K2	
13		2	K1	
14		3	K1	
15	1465999000	1	REDUCTION GEARMOTOR 40W 12V PKD	
16		1	K2	
17		1	K2	
18	146 3035 000	1	Seitenbesen 109x315 mm, PP 0,5	
18	146 3036 000	1	Seitenbesen 145x300 mm, Nylon	[1]
19		1	K1	
20	1464675000	1	Abdeckung Bürste rechts	
21	1465497000	1	BUMPER RIGHT BROOM	
22	1465011000	1	SUPPORT RIGHT SIDE BROOM	
23		1	K1	
24		2	K1	
25		2	K1	
26		2	K3	
27		1	K3	
28		2	K3	
29		2	K3	
K1	1465471000	1	HARDWARE SIDE BROOM KIT	[2]
K2	1463865000	1	Schraube SB SW 750	
K3	1467691000	1	PADDLE FOR DRIVE MICROSWITCH KIT	[2]

## Part Notes:

- [1] - OPTIONAL  
[2] - NOT SHOWN

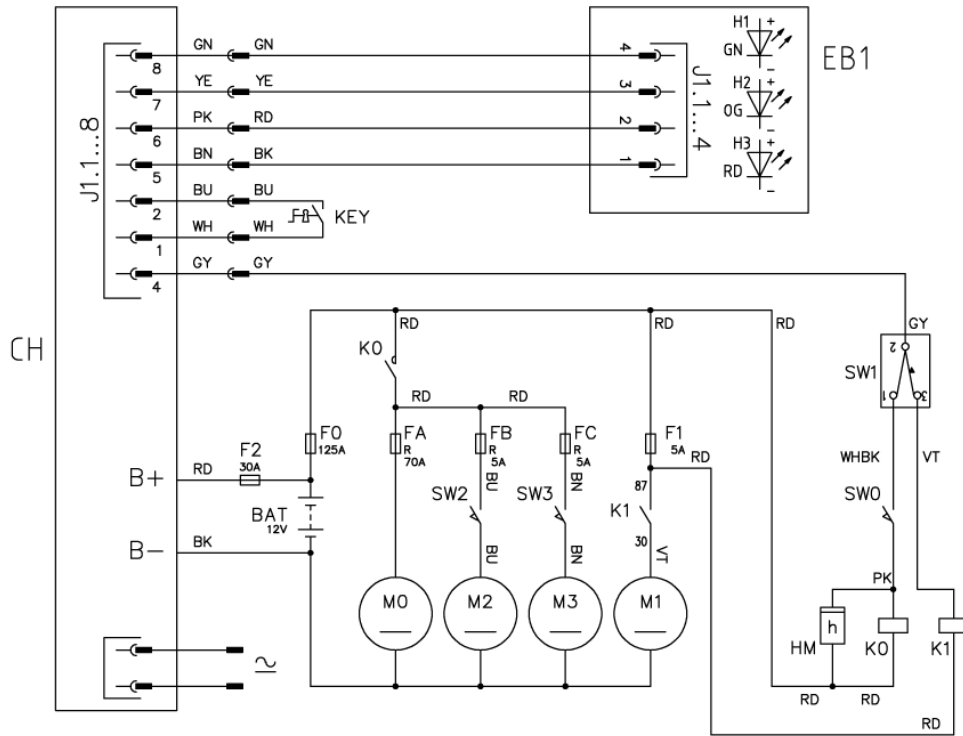




Pos.	Artikel-Nr.	Menge	Variante	Notes
1		1	K1	
2		2	K1	
3		1	K1	
4		1	K1	
5	1465028000	1	ROD FILTER SHAKER GALV.	
6	1465029000	1	RAKE FILTER SHAKER	
7	1465030000	2	DRAGGER FILTER SHAKER PLAST.	
8	1465103000	1	HANDLE T M8 PLASTIC	
9		1	K1	
10		3	K1	
11		2	K1	
K1	1465479000	1	HARDWARE MANUAL FILTER SHAKER KIT	[1]
K2	1465480000	1	Filterrüttler Set manuell	[2]

## Part Notes:

- [1] - NOT SHOWN  
 [2] - OPTIONAL - INSTALLATION INSTRUCTION REF. 1465626000



Pos.	Artikel-Nr.	Menge	Variante	Notes
BAT			12V BATTERY	
CH	1466519000		CHARGER BATT.ON BOARD 12V 25A PKD	
EB1	146 3073 000		BOARD LED	
F0	9099756000		FUSE 125A	
F1	145 9853 000		Sicherung 15A	
F2	1465102000		FUSE STRIP 30A	
FA	1465606000		CIRCUIT BREAKER 70A KIT	
FB	1465605000		CIRCUIT BREAKER 5A KIT	
FC	1465605000		CIRCUIT BREAKER 5A KIT	
HM	9096951000		Betriebsstundenzähler 24V	
K0	1464904000		SWITCH ELECTROMAGNETIC 12V 100A	
K1	9098441000		Relais 12V	
KEY	9100001354		Schlüsselschalter komplett	
M0	1464744000		MOTOR ELECTRIC 12V 680W	
M1	146 0527 000		Filterrüttelmotor f.	
M2	1465999000		REDUCTION GEARMOTOR 40W 12V PKD	
M3	1465999000		REDUCTION GEARMOTOR 40W 12V PKD	
SW0	1466506000		MICROSWITCH 10A 250V PKD	
SW1	1465465000		Schalterkit	
SW2	9100000792		MICROSWITCH 16A 250V PKD	
SW3	9100000792		MICROSWITCH 16A 250V PKD	

