



☎@07351-5758060

kontakt@nilfisk-alto-shop.com



Preisabfrage bzw. Bestellungen der Artikel im Shop unter

www.nilfisk-alto-shop.com

einfach die Artikelnummer in die Suchmaske eingeben

(Bitte die Artikelnummer ohne Leerzeichen eingeben)

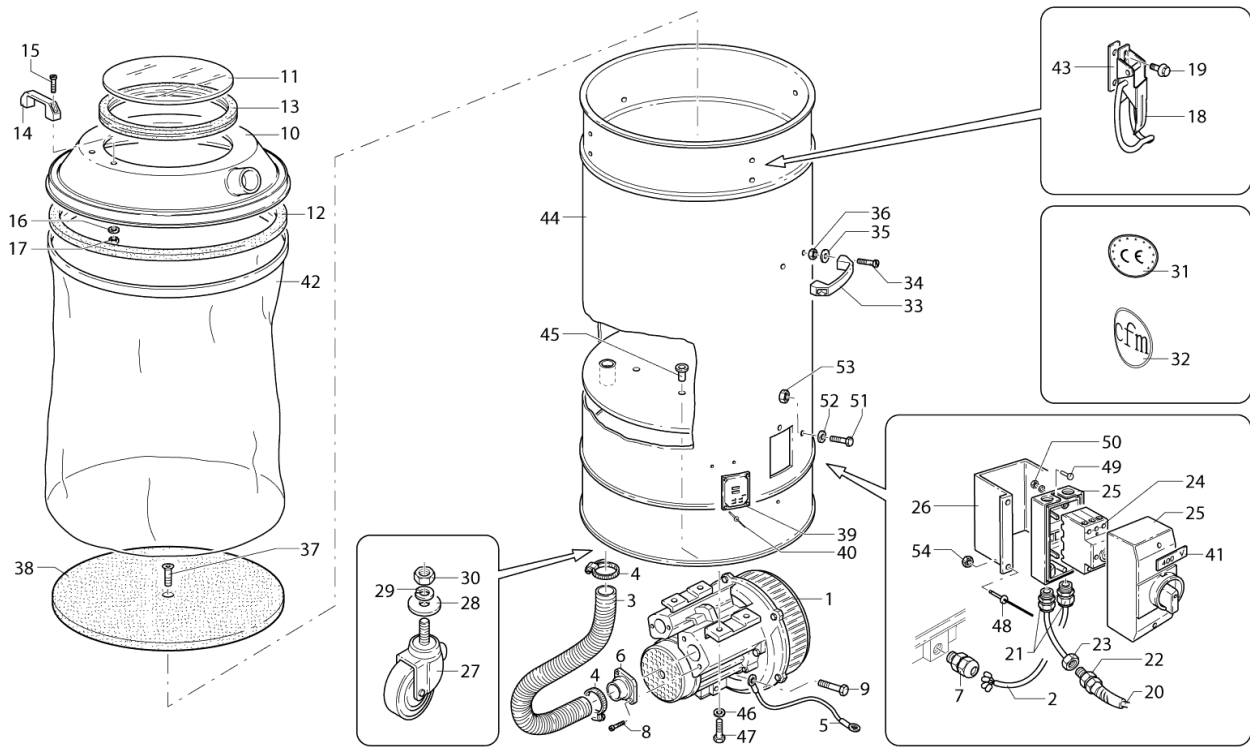
PARTS LIST



2021.07.25

TABLE OF CONTENTS

L28 - 1.....	1
L28 - 2.....	5
L28 - 3.....	9
L28 - 4.....	13
L28 - 7.....	17
L28 - 5.....	19
L28 - 6.....	21



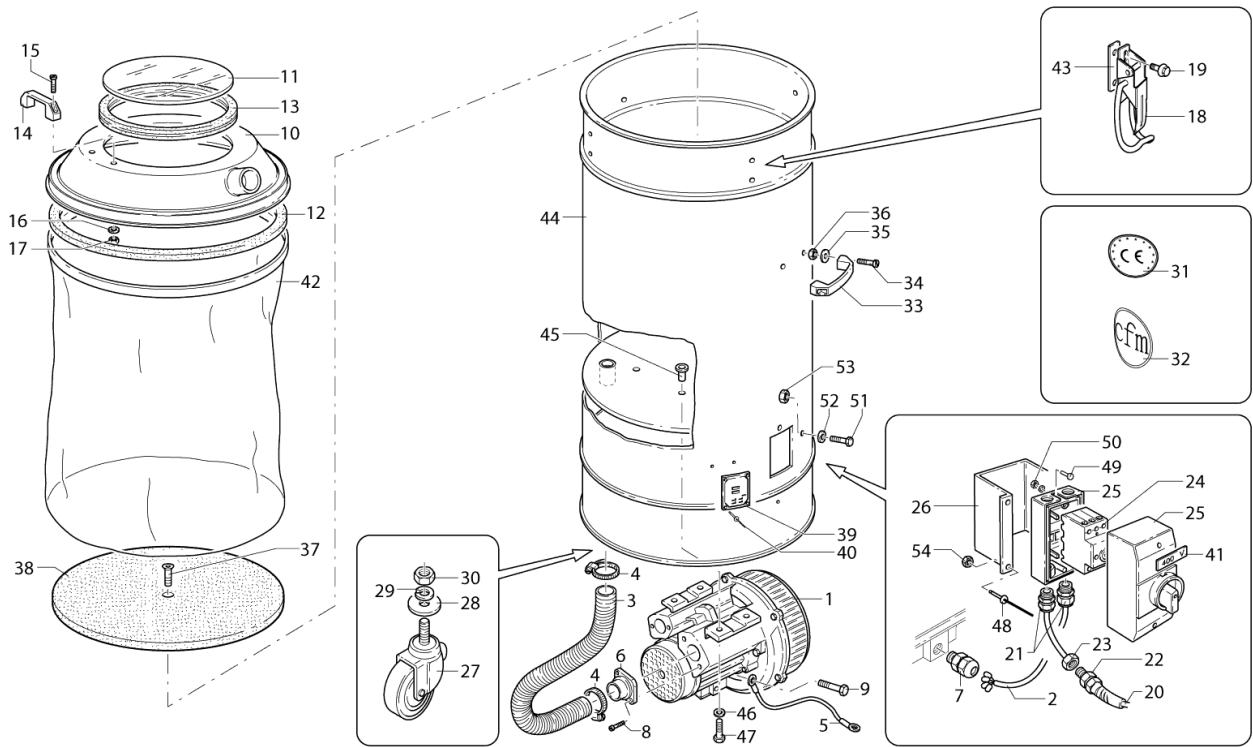
Pos.	Artikel-Nr.	Menge	Variante	Notes
01	Z4 55010 HP1	1	Nilfisk Hochleistungs-Verdichter KW 0.75	
02	Z8 39028	1	Kabel	[1]
03	Z7 24111	1	TUBE POLYURETHAN D50 IN METERS	[2]
04	Z8 40040	2	Schlauchklammer aus Metall ;40-60	
05	Z8 39668	1	Kabel	
06	Z8 40106	1	Anschluß-Flansch D50 #550	
07	Z8 39793	1	Verschraubung M25	
08	ZBVTCE0816X	2		[3]
08	ZBVTCE0816ZB	2		[4]
09	ZBVATE0510X	1		[5]
09	ZBVATE0510ZB	1		[6]
10	Z8 12079	1	CAP D460 INOX HOLE D50 MOD. R	[1]
10	Z8 12109	1	IRON COVER FOR MODEL R D460	[7]
11	Z8 12140	1	Sichtfenster D270 Mod R	
12	Z8 17223	1	Kesseldichtung R 305 V	
13	Z8 17254	1	Dichtung D270 für Sichtfe	
14	Z8 40038	2	Griff PVC	
15	ZBVTCE0816X	4		[3]
15	ZBVTCE0816ZB	4		[4]
16	ZBRO0832X	4		[8]
16	ZBRO0832ZB	4		[9]
17	ZBDN08X	4		[10]
17	ZBDN08ZB	4		[11]
18	Z8 36030	4	Spannverschlüsse V2A	
18	Z8 36028	4	Spannbügel FE	
19	ZBVTEZ0608X	8		[12]
19	ZBVTEZ0608ZB	8		[13]
20	Z8 39024	1	Kabel	
21	Z8 39055	2	Kabelverschraubung PG 16	
22	Z8 39097	1	Zugentlastung	
23	Z8 39567	1	Metallring	
24	Z8 39678	1	Motorschutzschalter	
25	Z8 39947	1	Gehäuseschutz für Schalte	
26	Z8 16254	1	SUPPORT BOARD MOD. R	[14]
27	Z8 40001	4	PIVOTING WHEEL D60 M12GREY CONTAINERS	
28	ZBRO1236X	4		[15]
28	ZBRO1236ZB	4		[16]
29	ZBROG12ZB	4		[17]
29	ZBROG12X	4		[18]
30	ZBDN12ZB	4		[19]
30	ZBDN12X	4		[20]
31	Z8 17349	1	CE MARK LABEL	[7]
32	Z8 17083	1	GREEN LABEL CFM BIG GREEN	[21]
32	Z8 17340	1	Aufkleber Mod. 3307	[21]
33	Z8 40038	2	Griff PVC	
34	ZBVTCE0816ZB	4		[4]
34	ZBVTCE0816X	4		[3]
35	ZBRO0832ZB	4		[9]
35	ZBRO0832X	4		[8]
36	ZBDN08ZB	4		[11]
36	ZBDN08X	4		[10]
37	ZBVTSPO625ZB	1		[22]
37	ZBVTSPO625X	1		[23]
38	Z8 12042	1	Sicherheitssieb für Mod.	
39	Z8 17015	1	Typenschilder für Drehstr	
40	ZBRI0307A	4		[24]
41	Z8 17089	1	Aufkleber 400V	
42	Z8 17090	1	Taschenfilter Ø460mm Nylon	
43	Z8 18010	4	Gegenplatte Spannbügel	

Pos.	Artikel-Nr.	Menge	Variante	Notes
44	Z8 30034	1	CONTAINER D460X970 INOX MOD. R	[14]
44	Z8 30035	1	Behälter D460x970 FE MOD. R	[1]
45	Z8 38037	4	THREADED INSERT M8	[1]
46	ZBRO0824X	4		[25]
46	ZBRO0824ZB	4		[26]
47	ZBVTE0825ZB	4		[27]
47	ZBVTE0825X	4		[28]
48	ZBRI0410A	4		[29]
49	ZBVTBC0412X	2		[30]
49	ZBVTBC0412ZB	2		[31]
50	ZBDN04X	2		[32]
50	ZBDN04ZB	2		[33]
51	ZBVTBC0610ZB	1		[34]
51	ZBVTBC0610X	1		[35]
52	ZBRO06ZB	1		[36]
52	ZBRO06X	1		[37]
53	ZBDN06X	1		[38]
53	ZBDN06ZB	1		[39]
54	ZBRO04ZB	1		[40]
54	ZBRO04X	1		[41]
55	Z4 55R104	1	SUCTION UNIT KW0.74V400/50 COMPLETE x	[42]
56	Z8 31261	1	CAP D460 INOX COMPL.MOD.R	[1]
56	Z8 31260	1	CAP D460 FE COMPL. MOD.R	

Part Notes:

- [1] - CONTACT PM IN ZOCCA
- [2] - SEE PB13-2011
- [3] - ZBVTCC0816X
- [4] - ZBVTCC0816ZB
- [5] - ZBVATE0510X
- [6] - ZBVATE0510ZB
- [7] - CONTACT PROD MANAGEMENT
- [8] - ZBRO0832X
- [9] - ZBRO0832ZB
- [10] - ZBDN08X
- [11] - ZBDN08ZB
- [12] - ZBVTEZ0608X
- [13] - ZBVTEZ0608ZB
- [14] - SEE SM-SP-007
- [15] - ZBRO1236X
- [16] - ZBRO1236ZB
- [17] - ZBROG12ZB
- [18] - ZBROG12X
- [19] - ZBDN12ZB
- [20] - ZBDN12X
- [21] - NO MORE AVAILABLE
- [22] - ZBVTSP0625ZB
- [23] - ZBVTSP0625X
- [24] - ZBRI0307A
- [25] - ZBRO0824X
- [26] - ZBRO0824ZB
- [27] - ZBVTE0825ZB
- [28] - ZBVTE0825X
- [29] - ZBRI0410A
- [30] - ZBVTBC0412X
- [31] - ZBVTBC0412ZB
- [32] - ZBDN04X
- [33] - ZBDN04ZB
- [34] - ZBVTBC0610ZB

- [35] - ZBVTBC0610X
- [36] - ZBRO06ZB
- [37] - ZBRO06X
- [38] - ZBDN06X
- [39] - ZBDN06ZB
- [40] - ZBRO04ZB
- [41] - ZBRO04X
- [42] - Z4 55R104
CONTACT PM IN ZOCCA



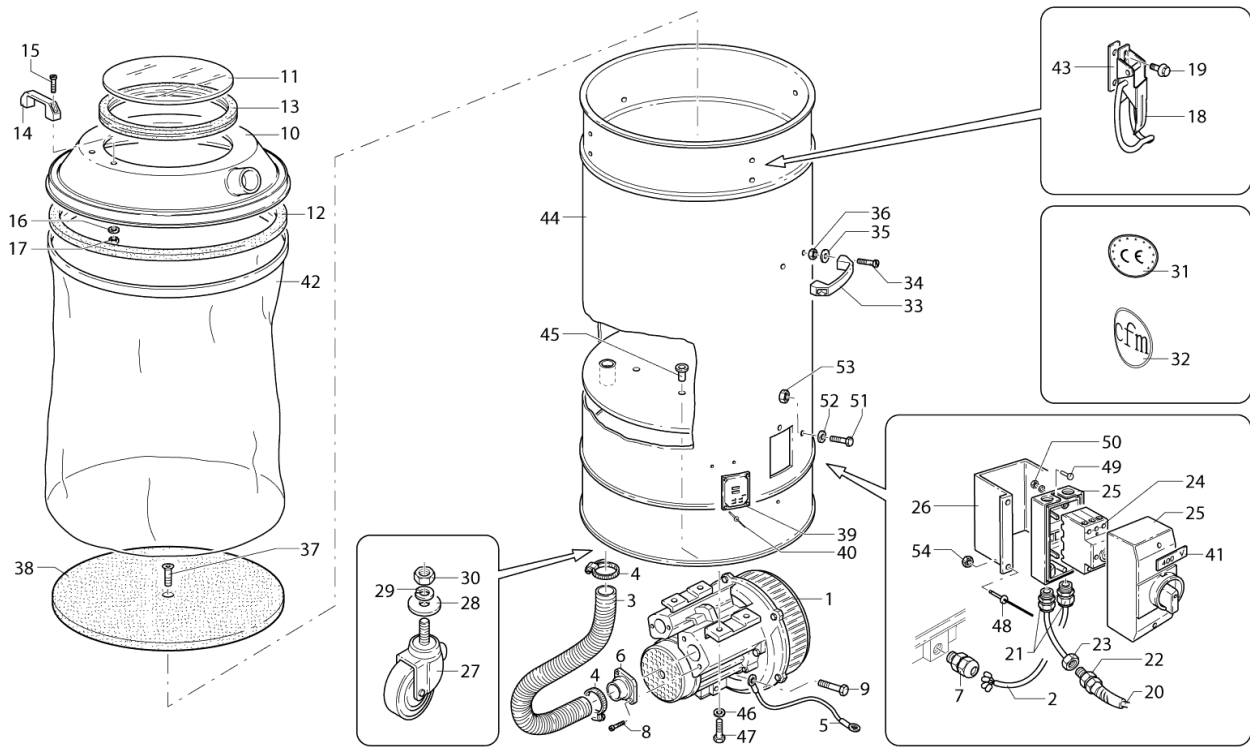
Pos.	Artikel-Nr.	Menge	Variante	Notes
01	4085500449	1	SUCTION UNIT KW1,3 COMP.230/400 R154	
02	Z8 39235	1	CABLE CONN.MOT. 4G1.5 FROR MOD.R104-R154	[1]
03	Z7 24111	1	TUBE POLYURETHAN D50 IN METERS	[2]
04	Z8 40040	2	Schlauchklammer aus Metall ;40-60	
05	Z8 39668	1	Kabel	
08	ZBVTCCCE0816X	2		[3]
08	ZBVTCCCE0816ZB	2		[4]
09	ZBVATE0510X	1		[5]
09	ZBVATE0510ZB	1		[6]
10	Z8 12079	1	CAP D460 INOX HOLE D50 MOD. R	[1]
10	Z8 12109	1	IRON COVER FOR MODEL R D460	[7]
11	Z8 12140	1	Sichtfenster D270 Mod R	
12	Z8 17223	1	Kesseldichtung R 305 V	
13	Z8 17254	1	Dichtung D270 für Sichtfe	
14	Z8 40038	2	Griff PVC	
15	ZBVTCCCE0816X	4		[3]
15	ZBVTCCCE0816ZB	4		[4]
16	ZBRO0832X	4		[8]
16	ZBRO0832ZB	4		[9]
17	ZBDN08X	4		[10]
17	ZBDN08ZB	4		[11]
18	Z8 36030	4	Spannverschlüsse V2A	
18	Z8 36028	4	Spannbügel FE	
19	ZBVTEZ0608X	8		[12]
19	ZBVTEZ0608ZB	8		[13]
20	Z8 39024	1	Kabel	
21	Z8 39055	2	Kabelverschraubung PG 16	
22	Z8 39097	1	Zugentlastung	
23	Z8 39567	1	Metallring	
24	Z8 39678	1	Motorschutzschalter	
25	Z8 39947	1	Gehäuseschutz für Schalte	
26	Z8 16254	1	SUPPORT BOARD MOD. R	[14]
27	Z8 40001	4	PIVOTING WHEEL D60 M12GREY CONTAINERS	
28	ZBRO1236X	4		[15]
28	ZBRO1236ZB	4		[16]
29	ZBROG12X	4		[17]
29	ZBROG12ZB	4		[18]
30	ZBDN12ZB	4		[19]
30	ZBDN12X	4		[20]
31	Z8 17349	1	CE MARK LABEL	[7]
32	Z8 17340	1	Aufkleber Mod. 3307	[21]
32	Z8 17083	1	GREEN LABEL CFM BIG GREEN	[21]
33	Z8 40038	2	Griff PVC	
34	ZBVTCCCE0816X	4		[3]
34	ZBVTCCCE0816ZB	4		[4]
35	ZBRO0832ZB	4		[9]
35	ZBRO0832X	4		[8]
36	ZBDN08ZB	4		[11]
36	ZBDN08X	4		[10]
37	ZBVTSP0625ZB	1		[22]
37	ZBVTSP0625X	1		[23]
38	Z8 12042	1	Sicherheitssieb für Mod.	
39	Z8 17015	1	Typenschilder für Drehstr	
40	ZBRI0307A	4		[24]
41	Z8 17089	1	Aufkleber 400V	
42	Z8 17090	1	Taschenfilter Ø460mm Nylon	
43	Z8 18010	4	Gegenplatte Spannbügel	
44	Z8 30034	1	CONTAINER D460X970 INOX MOD. R	[14]
44	Z8 30035	1	Behälter D460x970 FE MOD. R	[1]

Pos.	Artikel-Nr.	Menge	Variante	Notes
45	Z8 38037	4	THREADED INSERT M8	[1]
46	ZBRO0824X	4		[25]
46	ZBRO0824ZB	4		[26]
47	ZBVTE0830X	4		[27]
47	ZBVTE0830ZB	4		[28]
48	ZBRI0410A	4		[29]
49	ZBVTBC0412X	2		[30]
49	ZBVTBC0412ZB	2		[31]
50	ZBDN04X	2		[32]
50	ZBDN04ZB	2		[33]
51	ZBVTBC0610X	1		[34]
51	ZBVTBC0610ZB	1		[35]
52	ZBRO06ZB	1		[36]
52	ZBRO06X	1		[37]
53	ZBDN06ZB	1		[38]
53	ZBDN06X	1		[39]
54	ZBRO04X	1		[40]
54	ZBRO04ZB	1		[41]
55	Z4 54R154	1	SUCTION UNIT KW1.1V400/50 COMPLETE x	[42]
56	Z8 31261	1	CAP D460 INOX COMPL.MOD.R	[1]
56	Z8 31260	1	CAP D460 FE COMPL. MOD.R	

Part Notes:

- [1] - CONTACT PM IN ZOCCA
- [2] - SEE PB13-2011
- [3] - ZBVTCC0816X
- [4] - ZBVTCC0816ZB
- [5] - ZBVATE0510X
- [6] - ZBVATE0510ZB
- [7] - CONTACT PROD MANAGEMENT
- [8] - ZBRO0832X
- [9] - ZBRO0832ZB
- [10] - ZBDN08X
- [11] - ZBDN08ZB
- [12] - ZBVTEZ0608X
- [13] - ZBVTEZ0608ZB
- [14] - SEE SM-SP-007
- [15] - ZBRO1236X
- [16] - ZBRO1236ZB
- [17] - ZBROG12X
- [18] - ZBROG12ZB
- [19] - ZBDN12ZB
- [20] - ZBDN12X
- [21] - NO MORE AVAILABLE
- [22] - ZBVTSP0625ZB
- [23] - ZBVTSP0625X
- [24] - ZBRI0307A
- [25] - ZBRO0824X
- [26] - ZBRO0824ZB
- [27] - ZBVTE0830X
- [28] - ZBVTE0830ZB
- [29] - ZBRI0410A
- [30] - ZBVTBC0412X
- [31] - ZBVTBC0412ZB
- [32] - ZBDN04X
- [33] - ZBDN04ZB
- [34] - ZBVTBC0610X
- [35] - ZBVTBC0610ZB
- [36] - ZBRO06ZB

- [37] - ZBRO06X
- [38] - ZBDN06ZB
- [39] - ZBDN06X
- [40] - ZBRO04X
- [41] - ZBRO04ZB
- [42] - Z4 54R154
CONTACT PM IN ZOCCA



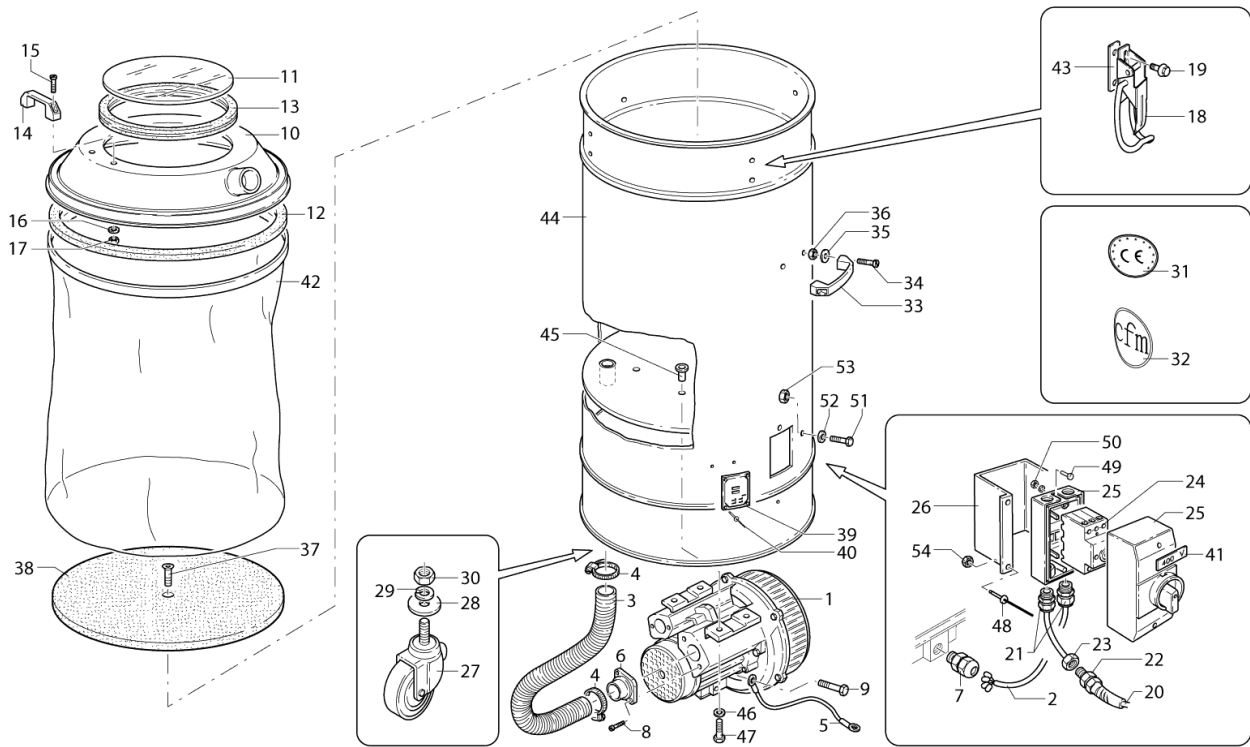
Pos.	Artikel-Nr.	Menge	Variante	Notes
01	4085500452	1	SUCTION UNIT KW1,6 COMP.230/400V R155	
01	4085500449	1	SUCTION UNIT KW1,3 COMP.230/400 R154	
02	Z8 39235	1	CABLE CONN.MOT. 4G1.5 FROR MOD.R104-R154	[1]
03	Z7 24111	1	TUBE POLYURETHAN D50 IN METERS	[2]
04	Z8 40040	2	Schlauchklammer aus Metall ;40-60	
05	Z8 39668	1	Kabel	
08	ZBVTCCCE0816X	2		[3]
08	ZBVTCCCE0816ZB	2		[4]
09	ZBVATE0510X	1		[5]
09	ZBVATE0510ZB	1		[6]
10	4083101157	1	CAP D560 FE COMPL. MOD. R INLET D70	[7]
10	4083101160	1	Deckel kpl. D560	[8]
10	Z8 12121	1	CAP D560 INOX HOLE D50 MOD. R	[1]
10	Z8 12120	1	CAP D560 FE HOLE D50 MOD. R	[1]
11	Z8 12140	1	Sichtfenster D270 Mod R	
12	Z8 17223	1	Kesseldichtung R 305 V	
13	Z8 17254	1	Dichtung D270 für Sichtfe	
14	Z8 40038	2	Griff PVC	
15	ZBVTCCCE0816X	4		[3]
15	ZBVTCCCE0816ZB	4		[4]
16	ZBRO0832X	4		[9]
16	ZBRO0832ZB	4		[10]
17	ZBDN08X	4		[11]
17	ZBDN08ZB	4		[12]
18	Z8 36030	4	Spannverschlüsse V2A	
18	Z8 36028	4	Spannbügel FE	
19	ZBVTEZ0608X	8		[13]
19	ZBVTEZ0608ZB	8		[14]
20	Z8 39024	1	Kabel	
21	Z8 39055	2	Kabelverschraubung PG 16	
22	Z8 39060	1	Kabeldurchführung PG 16/	
23	Z8 39568	1	Nutmutter	
24	Z8 39678	1	Motorschutzschalter	
25	Z8 39947	1	Gehäuseschutz für Schalte	
26	Z8 16254	1	SUPPORT BOARD MOD. R	[15]
27	Z8 40009	4	Lenkrolle	
28	ZBRO1236X	4		[16]
28	ZBRO1236ZB	4		[17]
29	ZBROG12X	4		[18]
29	ZBROG12ZB	4		[19]
30	ZBDN12ZB	4		[20]
30	ZBDN12X	4		[21]
31	Z8 17349	1	CE MARK LABEL	[22]
32	Z8 17340	1	Aufkleber Mod. 3307	[23]
32	Z8 17083	1	GREEN LABEL CFM BIG GREEN	[23]
33	Z8 40038	2	Griff PVC	
34	ZBVTCCCE0816X	4		[3]
34	ZBVTCCCE0816ZB	4		[4]
35	ZBRO0832ZB	4		[10]
35	ZBRO0832X	4		[9]
36	ZBDN08ZB	4		[12]
36	ZBDN08X	4		[11]
37	ZBVTSP0625ZB	1		[24]
37		1	ZBVTSP0625X	[25]
37	ZBVTSP0625X	1		[25]
38	Z8 12043	1	Siebeinsatz D560 für Mod.	
38	Z8 12043	1	Siebeinsatz D560 für Mod.	
39	Z8 17015	1	Typenschilder für Drehstr	
39	Z8 17015	1	Typenschilder für Drehstr	

Pos.	Artikel-Nr.	Menge	Variante	Notes
40		4	ZBRI0307A	[26]
40	ZBRI0307A	4		[26]
41	Z8 17089	1	Aufkleber 400V	
41	Z8 17089	1	Aufkleber 400V	
42	Z8 17094	1	Taschenfilter Ø560mm Nylon	
42	Z8 17094	1	Taschenfilter Ø560mm Nylon	
43	Z8 18010	4	Gegenplatte Spannbügel	
43	Z8 18010	4	Gegenplatte Spannbügel	
44	Z8 30082	1	CONTAINER D560x970 INOX MOD. R	[1]
44	Z8 30083	1	Behälter D560x970 Mod.R F	
44	Z8 30083	1	Behälter D560x970 Mod.R F	
44	Z8 30082	1	CONTAINER D560x970 INOX MOD. R	[1]
45	Z8 38037	4	THREADED INSERT M8	[1]
45	Z8 38037	4	THREADED INSERT M8	[1]
46		4	ZBRO0824X	[27]
46	ZBRO0824X	4		[27]
46		4	ZBRO0824ZB	[28]
46	ZBRO0824ZB	4		[28]
47		4	ZBVTE0825X	[29]
47		4	ZBVTE0825ZB	[30]
47	ZBVTE0830X	4		[31]
47	ZBVTE0830ZB	4		[32]
48	ZBRI0410A	4		[33]
48		4	ZBRI0410A	[33]
49	ZBVTBC0412X	2		[34]
49	ZBVTBC0412ZB	2		[35]
49		2	ZBVTBC0412X	[34]
49		2	ZBVTBC0412ZB	[35]
50		2	ZBDN04X	[36]
50	ZBDN04ZB	2		[37]
50		2	ZBDN04ZB	[37]
50	ZBDN04X	2		[36]
51	ZBVTBC0610X	1		[38]
51	ZBVTBC0610ZB	1		[39]
51		1	ZBVTBC0610X	[38]
51		1	ZBVTBC0610ZB	[39]
52		1	ZBRO06X	[40]
52	ZBRO06X	1		[40]
52	ZBRO06ZB	1		[41]
52		1	ZBRO06ZB	[41]
53		1	ZBDN06X	[42]
53	ZBDN06X	1		[42]
53	ZBDN06ZB	1		[43]
53		1	ZBDN06ZB	[43]
54	ZBRO04X	1		
54	ZBRO04ZB	1		[44]
54		1	ZBRO04ZB	[44]
55	Z4 54R154	1	SUCTION UNIT KW1.1V400/50 COMPLETE x	[1]
56	Z8 31262	1	Haube D560 kpl.	
56	Z8 31263	1	Deckel D560 V2A Mod.R kom	

Part Notes:

- [1] - CONTACT PM IN ZOCCA
- [2] - SEE PB13-2011
- [3] - ZBVTCC0816X
- [4] - ZBVTCC0816ZB
- [5] - ZBVATE0510X
- [6] - ZBVATE0510ZB
- [7] - Including handle and bent coupling

-
- [8] - CONTACT PM IN ZOCCA
Including handle and bent coupling
 - [9] - ZBRO0832X
 - [10] - ZBRO0832ZB
 - [11] - ZBDN08X
 - [12] - ZBDN08ZB
 - [13] - ZBVTEZ0608X
 - [14] - ZBVTEZ0608ZB
 - [15] - SEE SM-SP-007
 - [16] - ZBRO1236X
 - [17] - ZBRO1236ZB
 - [18] - ZBROG12X
 - [19] - ZBROG12ZB
 - [20] - ZBDN12ZB
 - [21] - ZBDN12X
 - [22] - CONTACT PROD MANAGEMENT
 - [23] - NO MORE AVAILABLE
 - [24] - ZBVTSP0625ZB
 - [25] - ZBVTSP0625X
 - [26] - ZBRI0307A
 - [27] - ZBRO0824X
 - [28] - ZBRO0824ZB
 - [29] - ZBVTE0825X
 - [30] - ZBVTE0825ZB
 - [31] - ZBVTE0830X
 - [32] - ZBVTE0830ZB
 - [33] - ZBRI0410A
 - [34] - ZBVTBC0412X
 - [35] - ZBVTBC0412ZB
 - [36] - ZBDN04X
 - [37] - ZBDN04ZB
 - [38] - ZBVTBC0610X
 - [39] - ZBVTBC0610ZB
 - [40] - ZBRO06X
 - [41] - ZBRO06ZB
 - [42] - ZBDN06X
 - [43] - ZBDN06ZB
 - [44] - ZBRO04ZB



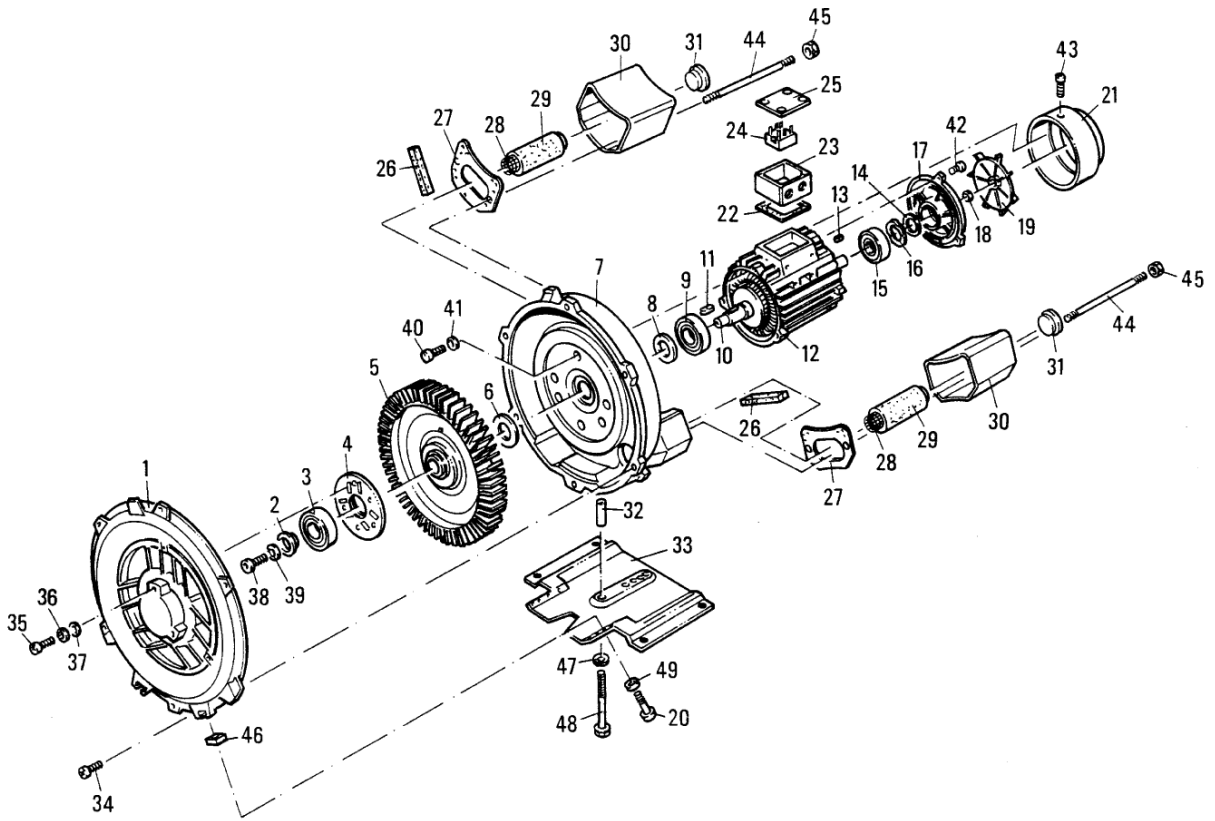
Pos.	Artikel-Nr.	Menge	Variante	Notes
01	Z4 55030 HP 3	1	Verdichter 2,2 KW	
02	Z8 39285	1	CABLE CONN.MOT. 4G2.5 NE. MOD.3507	[1]
03	Z7 24111	1	TUBE POLYURETHAN D50 IN METERS	[2]
04	Z8 40040	2	Schlauchklammer aus Metall ;40-60	
05	Z8 39668	1	Kabel	
06	Z8 40106	1	Anschluß-Flansch D50 #550	
07	Z8 39793	1	Verschraubung M25	
08	ZBVTCE0816X	2		[3]
08	ZBVTCE0816ZB	2		[4]
09	ZBVATE0510X	1		[5]
09	ZBVATE0510ZB	1		[6]
10	Z8 12121	1	CAP D560 INOX HOLE D50 MOD. R	[1]
10	Z8 12120	1	CAP D560 FE HOLE D50 MOD. R	[1]
11	Z8 12140	1	Sichtfenster D270 Mod R	
12	Z8 17223	1	Kesseldichtung R 305 V	
13	Z8 17254	1	Dichtung D270 für Sichtfe	
14	Z8 40038	2	Griff PVC	
15	ZBVTCE0816X	4		[3]
15	ZBVTCE0816ZB	4		[4]
16	ZBRO0832X	4		[7]
16	ZBRO0832ZB	4		[8]
17	ZBDN08X	4		[9]
17	ZBDN08ZB	4		[10]
18	Z8 36030	4	Spannverschlüsse V2A	
18	Z8 36028	4	Spannbügel FE	
19	ZBVTEZ0608X	8		[11]
19	ZBVTEZ0608ZB	8		[12]
20	Z8 39018	1	Anschlußkabel 4G2,5	[1]
21	Z8 39055	2	Kabelverschraubung PG 16	
22	Z8 39060	1	Kabeldurchführung PG 16/	
23	Z8 39568	1	Nutmutter	
24	Z8 39679	1	Motorschutzschalter 4-6,3	
25	Z8 39947	1	Gehäuseschutz für Schalte	
26	Z8 16254	1	SUPPORT BOARD MOD. R	[13]
27	Z8 40009	4	Lenkrolle	
28	ZBRO1236X	4		[14]
28	ZBRO1236ZB	4		[15]
29	ZBROG12ZB	4		[16]
29	ZBROG12X	4		[17]
30	ZBDN12ZB	4		[18]
30	ZBDN12X	4		[19]
31	Z8 17349	1	CE MARK LABEL	[20]
32	Z8 17083	1	GREEN LABEL CFM BIG GREEN	[21]
32	Z8 17340	1	Aufkleber Mod. 3307	[21]
33	Z8 40038	2	Griff PVC	
34	ZBVTCE0816ZB	4		[4]
34	ZBVTCE0816X	4		[3]
35	ZBRO0832ZB	4		[8]
35	ZBRO0832X	4		[7]
36	ZBDN08ZB	4		[10]
36	ZBDN08X	4		[9]
37	ZBVTSP0625ZB	1		[22]
37	ZBVTSP0625X	1		[23]
38	Z8 12043	1	Siebeinsatz D560 für Mod.	
39	Z8 17015	1	Typenschilder für Drehstr	
40	ZBRI0307A	4		[24]
41	Z8 17089	1	Aufkleber 400V	
42	Z8 17094	1	Taschenfilter Ø560mm Nylon	
43	Z8 18010	4	Gegenplatte Spannbügel	

Pos.	Artikel-Nr.	Menge	Variante	Notes
44	Z8 30082	1	CONTAINER D560x970 INOX MOD. R	[1]
44	Z8 30083	1	Behälter D560x970 Mod.R F	
45	Z8 38037	4	THREADED INSERT M8	[1]
46	ZBRO0824X	4		[25]
46	ZBRO0824ZB	4		[26]
47	ZBVTE0825ZB	4		[27]
47	ZBVTE0825X	4		[28]
48	ZBRI0410A	4		[29]
49	ZBVTBC0412X	2		[30]
49	ZBVTBC0412ZB	2		[31]
50	ZBDN04X	2		[32]
50	ZBDN04ZB	2		[33]
51	ZBVTBC0610ZB	1		[34]
51	ZBVTBC0610X	1		[35]
52	ZBRO06ZB	1		[36]
52	ZBRO06X	1		[37]
53	ZBDN06X	1		[38]
53	ZBDN06ZB	1		[39]
54	ZBRO04ZB	1		[40]
54	ZBRO04X	1		
55	Z4 55R305	1	SUCTION UNIT KW2.2V400/50 COMPLETE x	[1]
56	Z8 31263	1	Deckel D560 V2A Mod.R kom	
56	Z8 31262	1	Haube D560 kpl.	

Part Notes:

- [1] - CONTACT PM IN ZOCCA
- [2] - SEE PB13-2011
- [3] - ZBVTCC0816X
- [4] - ZBVTCC0816ZB
- [5] - ZBVATE0510X
- [6] - ZBVATE0510ZB
- [7] - ZBRO0832X
- [8] - ZBRO0832ZB
- [9] - ZBDN08X
- [10] - ZBDN08ZB
- [11] - ZBVTEZ0608X
- [12] - ZBVTEZ0608ZB
- [13] - SEE SM-SP-007
- [14] - ZBRO1236X
- [15] - ZBRO1236ZB
- [16] - ZBROG12ZB
- [17] - ZBROG12X
- [18] - ZBDN12ZB
- [19] - ZBDN12X
- [20] - CONTACT PROD MANAGEMENT
- [21] - NO MORE AVAILABLE
- [22] - ZBVTSP0625ZB
- [23] - ZBVTSP0625X
- [24] - ZBRI0307A
- [25] - ZBRO0824X
- [26] - ZBRO0824ZB
- [27] - ZBVTE0825ZB
- [28] - ZBVTE0825X
- [29] - ZBRI0410A
- [30] - ZBVTBC0412X
- [31] - ZBVTBC0412ZB
- [32] - ZBDN04X
- [33] - ZBDN04ZB
- [34] - ZBVTBC0610ZB

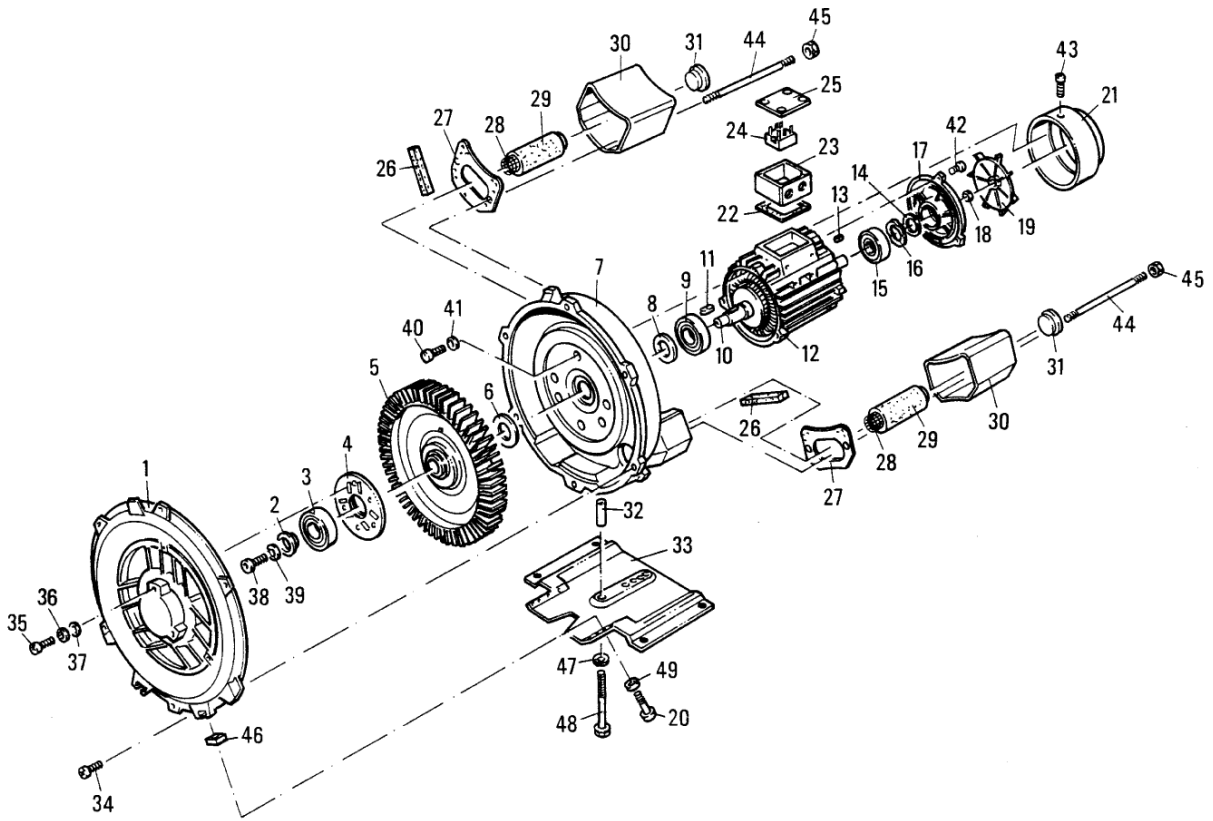
- [35] - ZBVTBC0610X
- [36] - ZBRO06ZB
- [37] - ZBRO06X
- [38] - ZBDN06X
- [39] - ZBDN06ZB
- [40] - ZBRO04ZB



Pos.	Artikel-Nr.	Menge	Variante	Notes
01	Z8 51013	1	BOTTOM CAP 55030/55055	[1]
03	Z8 51504	1	BEARING 55030	[1]
05	Z8 51046	1	IMPELLER MOD.55030/55055	[1]
07	Z8 51079	1	IMPELLER MODEL 55030	[1]
08	Z8 51725	1		
09	Z8 51590	1		
12	Z8 51144	1		
14	Z8 51739	1		
16	Z8 51750	1		
17	Z8 51170	1		
19	Z8 51331	1	COOLING FAN 55020/55030	[2]
21	Z8 51204	1	COVER MOTOR COOLING FAN 3307/6	[3]
22	Z8 51280	1		
23	Z8 51232	1		
24	Z8 51264	1	TERMINAL MOD.55020/55030	[4]
25	Z8 51249	1		[4]
26	Z8 51760	2		
27	Z8 51425	2	SEAL MUFFLER 55020	[1]
28	Z8 51394	2		
29	Z8 51362	2	Schalldämmung + Mesh55020-30-55	[5]
30	Z8 51298	2		[2]
31	Z8 51380	2		
37	Z8 51541	4	RING MOD.55055-55055W	[1]
50	Z8 51815	1		
51	Z8 51847	1	MOTOR MOD. 55030 COMPLETE	[1]

Part Notes:

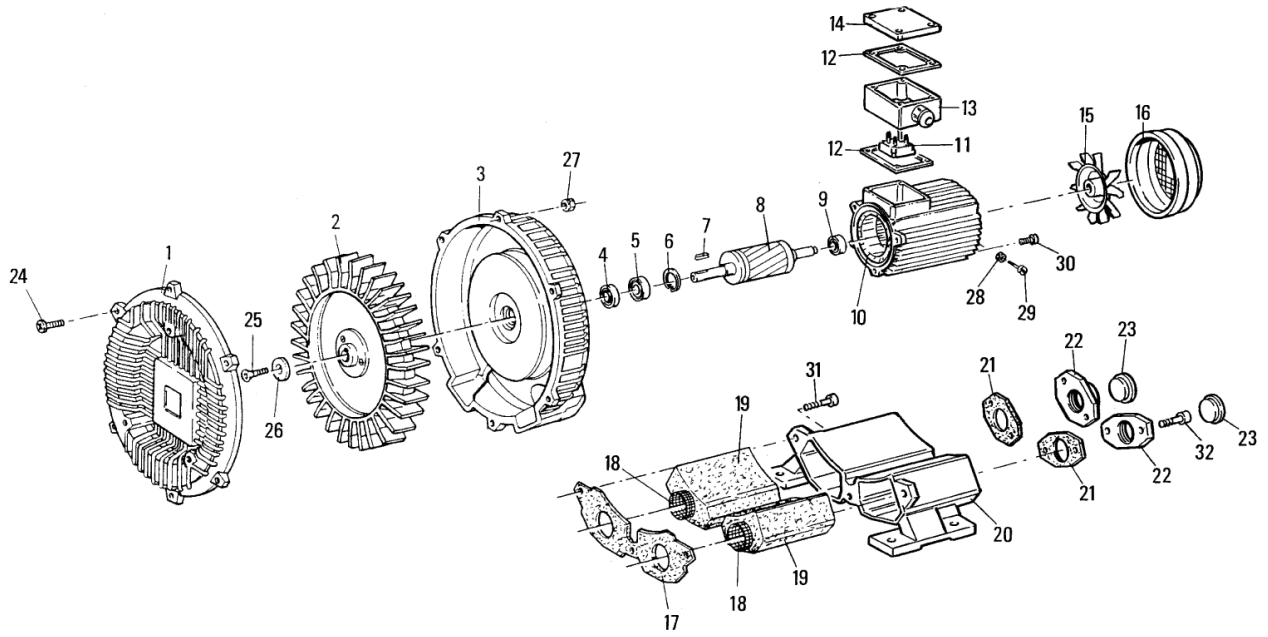
- [1] - ORDER COMPLETE BLOWER
- [2] - CONTACT PM IN ZOCCA
- [3] - CONTACT PROD MANAGEMENT
- [4] - NO MORE AVAILABLE
- [5] - ARTICLE NO MORE SUPPLIED



Pos.	Artikel-Nr.	Menge	Variante	Notes
0-	Z8 51813	1		
0-	Z8 51845	1	MOTOR COMPL. MOD.55010	[1]
05	Z8 51044	1	IMPELLER MOD.55010 HP 1	[1]
15	Z8 51460	1	SUPERIOR BEARING MOD.55020	[1]
22	Z8 51280	1		
23	Z8 51232	1		
24	Z8 51264	1	TERMINAL MOD.55020/55030	[2]
25	Z8 51249	1		[2]
26	Z8 51760	2		
29	Z8 51361	2	SOUNDPROOF + MESH 55010	[1]
37	Z8 51541	3	RING MOD.55055-55055W	[1]

Part Notes:

- [1] - ORDER COMPLETE BLOWER
- [2] - NO MORE AVAILABLE



Pos.	Artikel-Nr.	Menge	Variante	Notes
01	Z8 51003	1	BOTTOM CAP MOD.54015	[1]
02	Z8 51036	1	IMPELLER MOD.54015 HP 1.5 COMPL. W.	[1]
03	Z8 51068	1		
04	Z8 51579	1		
05	Z8 51483	1		
06	Z8 51611	1		
07	Z8 51515	1		
08	Z8 51100	1		
09	Z8 51451	1		
11	Z8 51258	1		
15	Z8 51322	1	COOLING FAN 54004/54010/54015	[1]
16	Z8 51194	1		
17	Z8 51419	1		[1]
18	Z8 51387	2		
19	Z8 51356	2	SOUNDPROOF + MESH 54015	[1]
20	Z8 51292	1		[1]
21	Z8 51437	2		
22	Z8 40051	1	FLANGE CEP HP1/1.5	[2]
23	Z8 51376	2		
24	ZBVTBC0630ZB	6		[3]
25	ZBVTE0825ZB	1		[4]
26	Z8 51643	1		
27	ZBDN06ZB	6		[5]
28	ZBDN04ZB	2		[6]
29	ZBVTBC0412ZB	2		[7]
32	ZBVTCE0820ZB	4		[8]

Part Notes:

- [1] - ORDER COMPLETE BLOWER
- [2] - SEE SM-SP-007
- [3] - ZBVTBC0630ZB
- [4] - ZBVTE0825ZB
- [5] - ZBDN06ZB
- [6] - ZBDN04ZB
- [7] - ZBVTBC0412ZB
- [8] - ZBVTCE0820ZB

