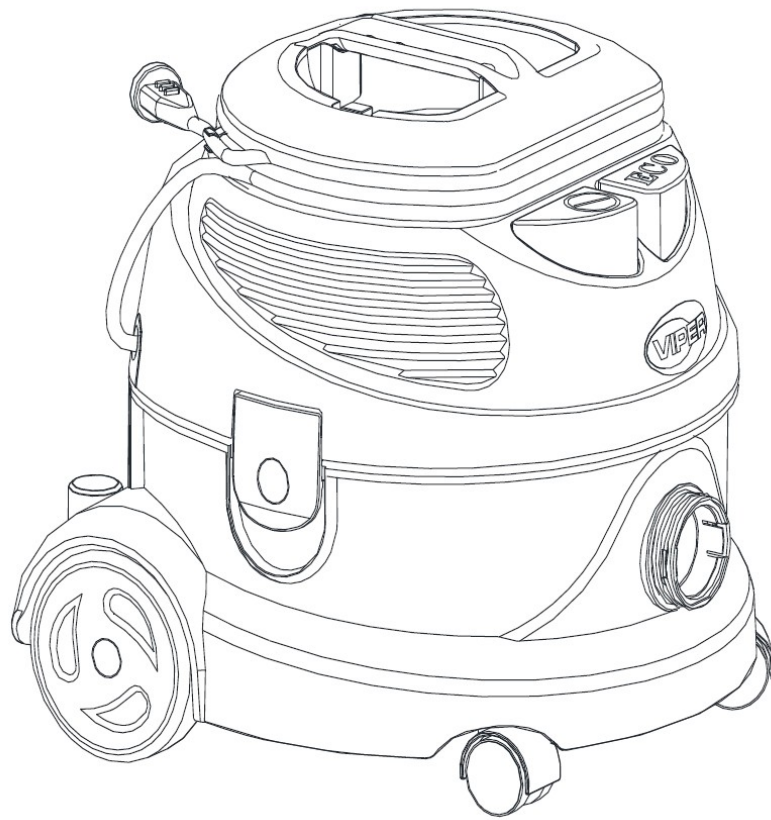


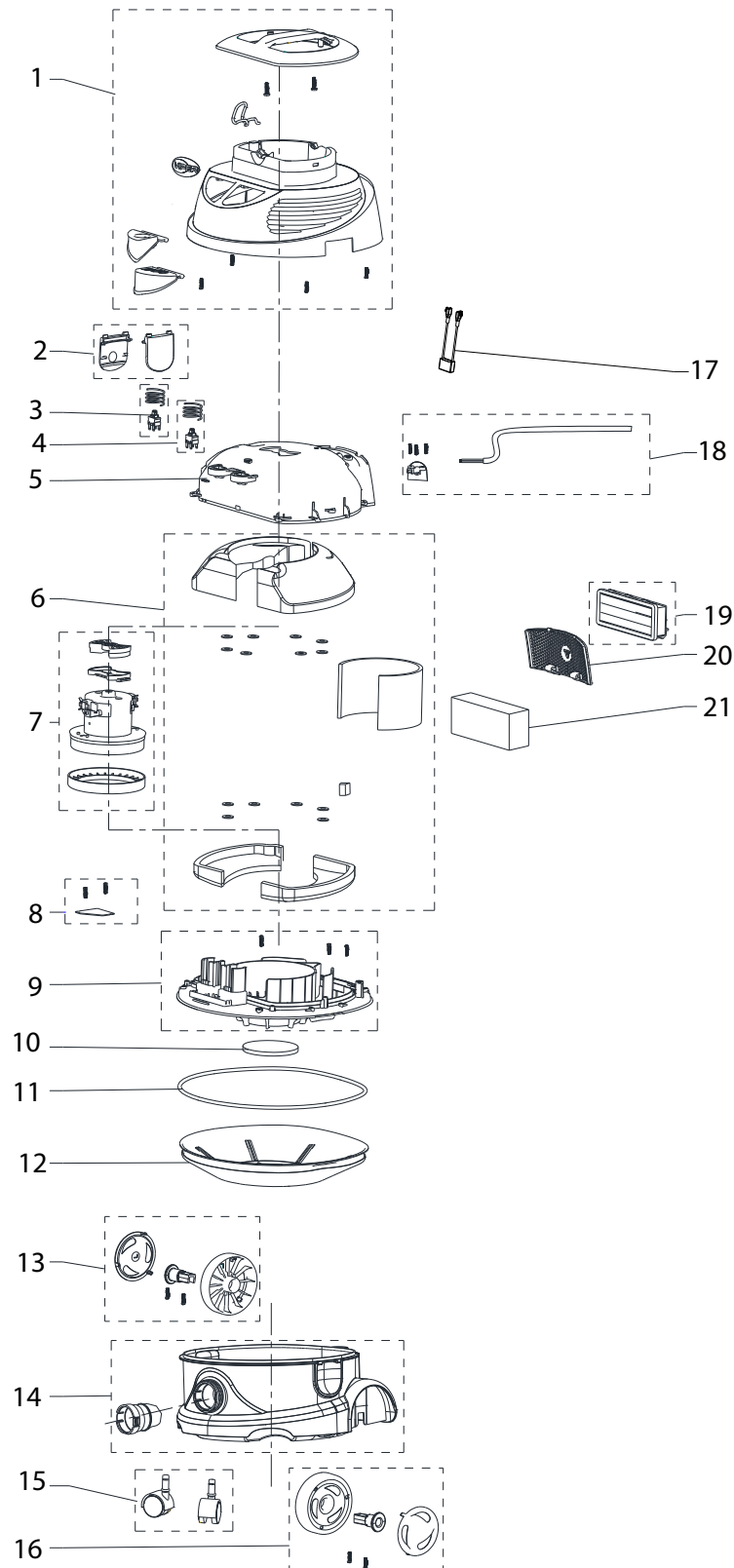
PARTS LIST



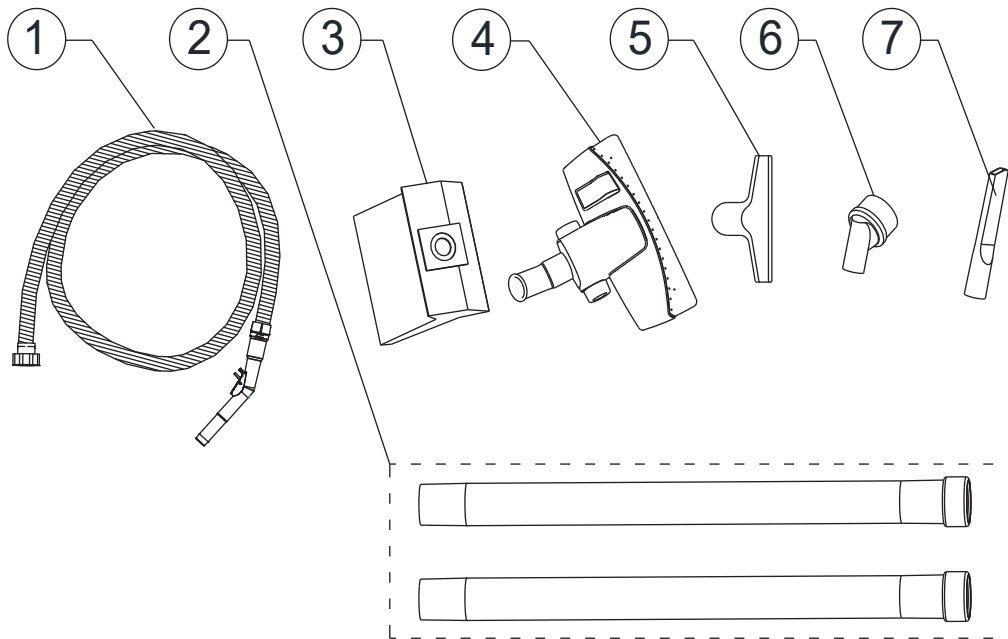
2021.12.13

TABLE OF CONTENTS

Overview1
Accessories3
WEAR AND TEAR PARTS5



Pos.	Artikel-Nr.	Menge	Variante	Notes
1	VA81375	1	DSU12/DSU15 MACHINE HEAD COVER KIT	
2	VA81360	1	Verschlussklips für DSU-Sauger	
3	VA81361	1	DSU12/DSU15 FOUR FEET SWITCH KIT	
4	VA81377	1	DSU12/DSU15 TWO FEET SWITCH KIT	
5	VA85029	1	DSU12 AND DSU15 MOTOR COVER KIT	
6	VA81378	1	DSU12/DSU15 NOISE REDUCTION SPONGE KIT	
7	VA81379	1	DSU12 AND DSU15 MOTOR ASSEMBLY KIT	
8	VA81374	1	PCBA AND FIXING SCREW KIT	
9	VA81380	1	DSU12/DSU15 MOTOR MOUNTING BASE KIT	
10	VA85064	1	Motorschutzfilter	
11	VA81211	1	DSU12 AND DSU15 GASKET KIT	
12	VA81231	1	Hauptfilterkit DSU12/15	
13	VA81368	1	EAGLE2 RIGHT REAR BIG WHEEL KIT	
14	VA81381	1	Anschlussstutzen DSU12	
14	VA81382	1	DSU15 TANK + INTAKE KIT	
15	VA81599	1	40MM CASTER	
16	VA81371	1	EAGLE2 LEFT REAR BIG WHEEL KIT	
17	VA81194	1	MOTOR CONNECTOR KIT	
18	VA81383	1	Anschlusskabel DSU12/15	
18	VA81384	1	DSU12/DSU15 UK POWER CORD KIT	
19	VA85065	1	HEPA-Filter	
20	VA85032	1	DSU12 AND DSU15 EXHAUST COVER KIT	
21	VA81413-001	1	FOAM EXHAUST FILTER	



Pos.	Artikel-Nr.	Menge	Variante	Notes
1	VA81232	1	2M SUNCTION HOSE ASSY	
2	VA81373	1	E-COATING IRON SUCTION TUBE ASSEMBLY	
3	VA81399-P10	1	12L HEPA BAG PACK 10PCS	
3	VA81400-P10	1	15L HEPA BAG PACK 10PCS	
3	VA81410	1	12L WASHABLE BAG OPTIONAL	
3	VA81411	2	15L WASHABLE BAG OPTIONAL	
4	VA85059	1	Kombidüse	
5	VA81227	1	UPHOLSTERY TOOL	
6	VA81226	1	DUSTING TOOL	
7	VA20805-001	1	CREVICE TOOL	

WEAR AND TEAR PARTS

DSU 15

2013.04.23

2018.06.06

Pos.	Artikel-Nr.	Menge	Variante	Notes
1	VA81232	1	2M SUNCTION HOSE ASSY	
2	VA81373	1	E-COATING IRON SUCTION TUBE ASSEMBLY	
3	VA81399-P10	1	12L HEPA BAG PACK 10PCS	
3	VA81400-P10	1	15L HEPA BAG PACK 10PCS	
3	VA81410	1	12L WASHABLE BAG OPTIONAL	
3	VA81411	1	15L WASHABLE BAG OPTIONAL	
4	VA85059	1	Kombidüse	
5	VA81227	1	UPHOLSTERY TOOL	
6	VA81226	1	DUSTING TOOL	
7	VA20805-001	1	CREVICE TOOL	
8	VA81413-001	1	FOAM EXHAUST FILTER	
9	VA85064	1	Motorschutzfilter	

