

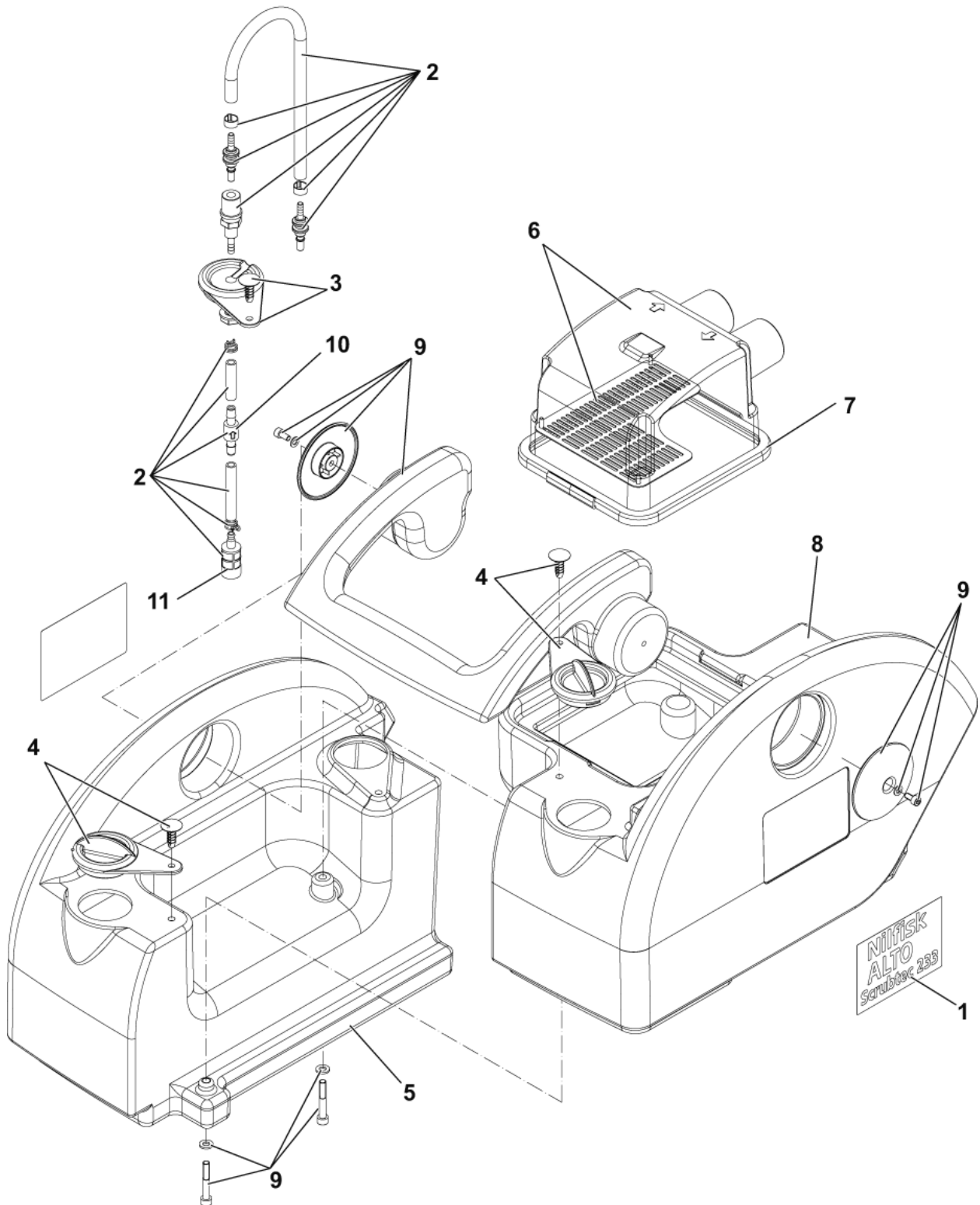
PARTS LIST



2022.04.13

TABLE OF CONTENTS

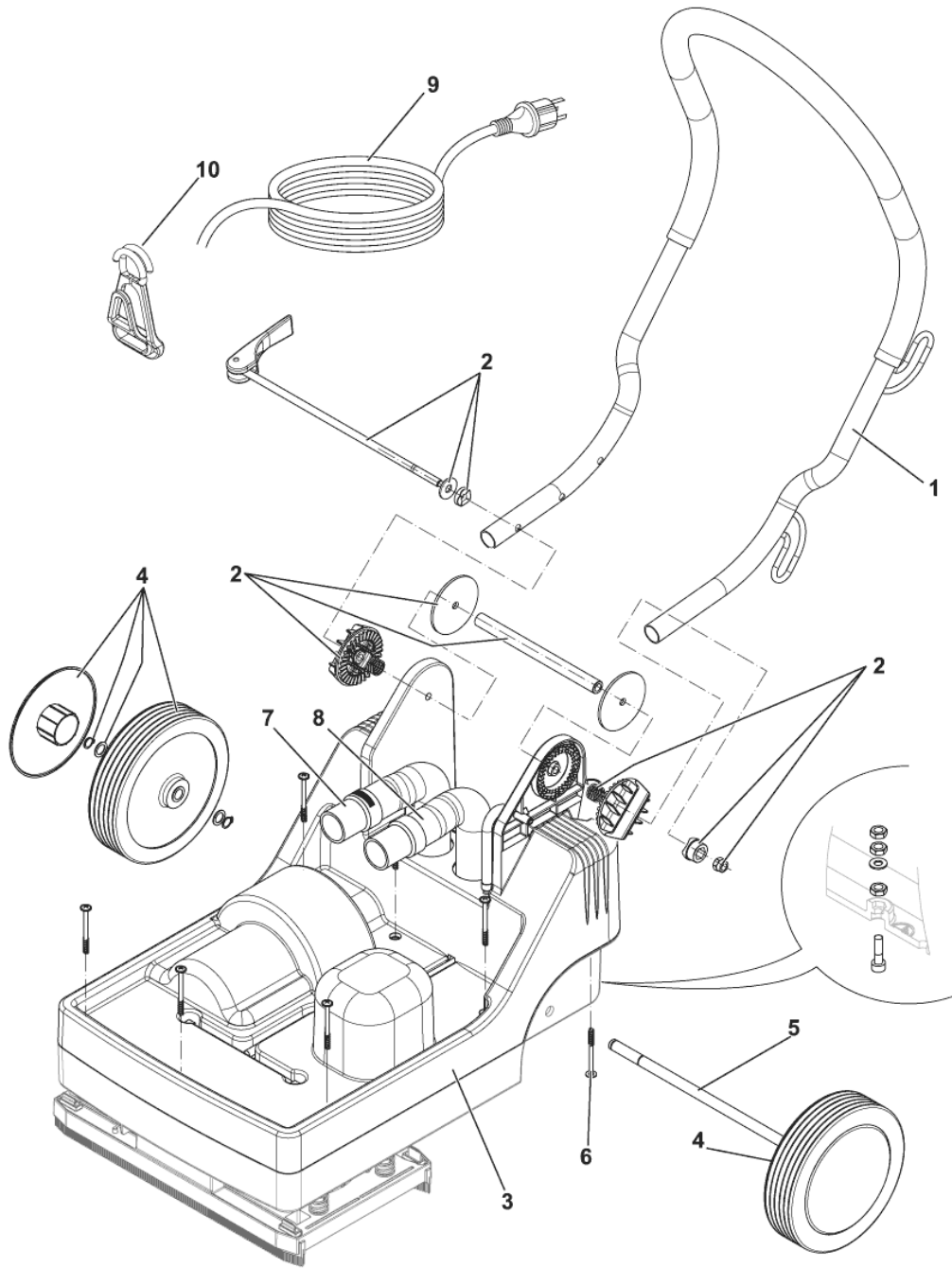
Tanks system	1
Frame upper system	3
Frame lower system	5
Transmission system	7
Brushes, squeegees deck	9
Control panel system	11
Accessory: Carpet kit	13
Recommended spare parts	15
Accessory list	17
Support roller kit	19



Pos.	Artikel-Nr.	Menge	Variante	Notes
01	9097901000	1	DECALS SCRUBTEC 233 KIT	[1]
01	9097902000	1	DECALS SCRUBTEC 233 ALTO KIT	[2]
02	9097896000	1	Saugschlauch Kit	[3]
03	9097897000	1	Tankdeckel	[3]
04	9097515000	2	Tankdeckelkit	[4]
05	9097669000	1	Tank	[3]
06	9097898000	1	Schmutzwassertankdeckel	[3]
07	9097236000	1	Schmutzwassertank	[5]
08	9097668000	1	Schmutzwassertank	[3]
09	9097899000	1	Griff Satz	[3]
10	9097277000	1	Wasserventil CA 331	[4]
11	L08603126	1	Ansaugfilter	

Part Notes:

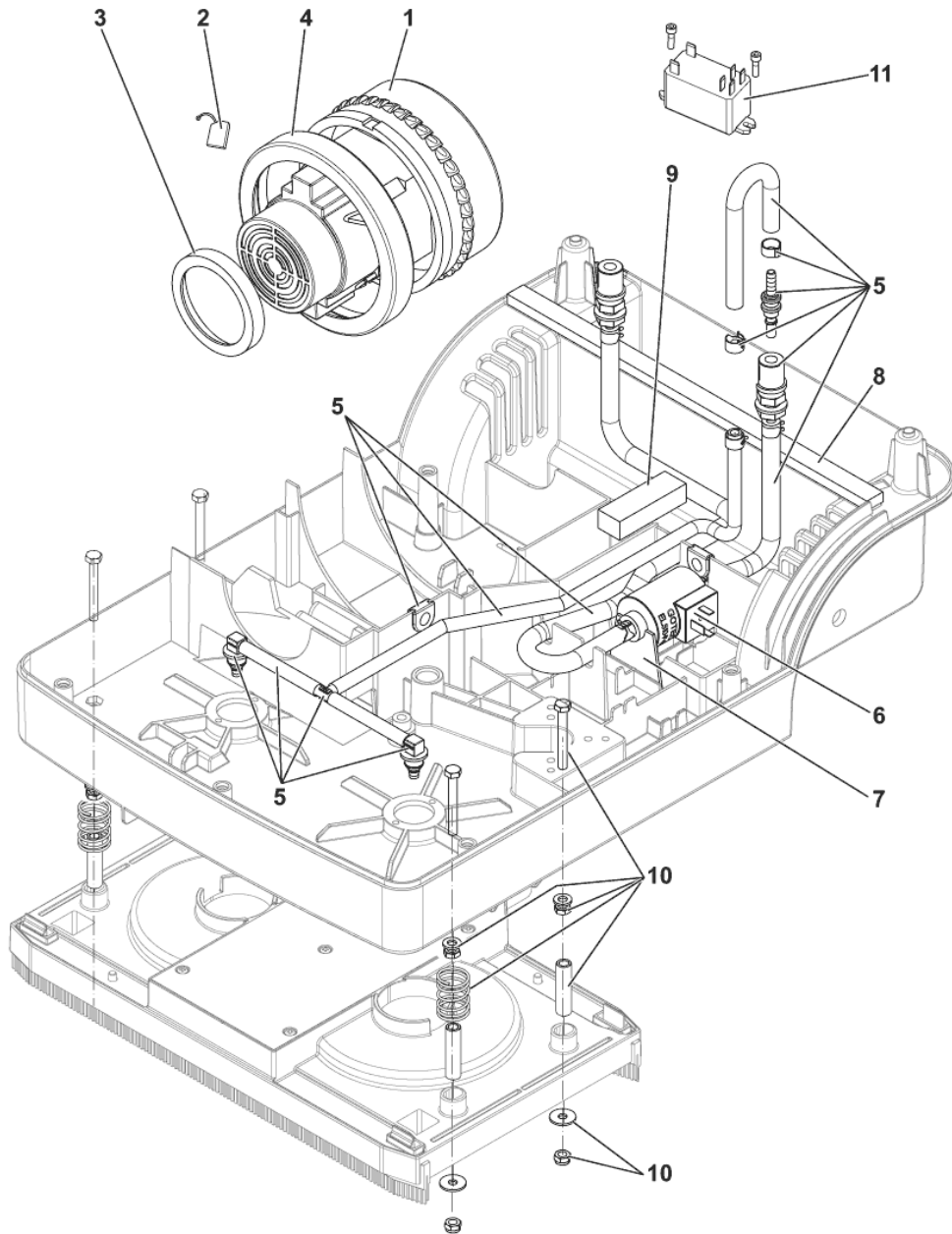
- [1] - Nilfisk-ALTO Brand
SEE PI 2017-002
- [2] - ALTO Brand
SEE PI 2017-002
- [3] - GUARANTEE DATE EXPIRED
- [4] - NO LONGER AVAILABLE
- [5] - STOCK COVERS GUARANTEE



Pos.	Artikel-Nr.	Menge	Variante	Notes
1	9097673000	1	HANDLE BAR ROUND MET.	[1]
2	9097437000	1	Handgriff-Hebel-Set	[2]
3	9097216000	1	Chassis	[2]
4	9097440000	1	Rad Set	[3]
5	9097231000	1	Antriebswellenrad	[1]
6	909 5893 000	8	Schraube 6x60 THD	[3]
7	9100001732	1	HOSE SUCTION SQUEEGEE BLACK L.480MM SIP	[1]
8	9097674000	1	Saugschlauch Saugdüse (L	[1]
9	9100001731	1	CABLE POWER SUPPLY EU L.15000MM PKD	[2]
9	9100001063	1	CABLE POWER SUPPLY US L.15000MM SIP	[2]
9A	82179200	1	Kabel m. Stecker UK	
10	9098047000	1	Kabelhalter	[2]

Part Notes:

- [1] - GUARANTEE DATE EXPIRED
- [2] - NO LONGER AVAILABLE
- [3] - STOCK COVERS GUARANTEE



Pos.	Artikel-Nr.	Menge	Variante	Notes
1	9100000675	1	MOTOR VACUUM 230V 550W PKD	[1]
1	9100000677	1	MOTOR VACUUM 100V 550W SIP	[2]
2	909 5719 000	2	Kohlebürsten-Set	
3	9097251000	1	Motordichtung Kappe	[3]
4	9097250000	1	Motordichtung	[3]
5	9097493000	1	Wasserkanal-Set	[3]
6	9098207000	1	Wasserpumpe zu CA 331	[4]
6	9098370000	1	Wasserpumpenkit	[5]
6	9098371000	1	PUMP WATER US JP KIT	[5]
6	9098208000	1	PUMP WATER 110 V 45W	[4]
7	9097275000	1	SUPPORT PUMP NYLON	[6]
8	146 0410 000	1	GASKET ADHESIVE 15X10 L.340MM	[7]
9	9097583000	1	GASKET ADHESIVE 20X15 L.65MM SIP	[7]
10	9097431000	1	HARDWARE DECK FIXING KIT	[3]
11	9097864000	1	Magnetschalter 110V Japan	[7]

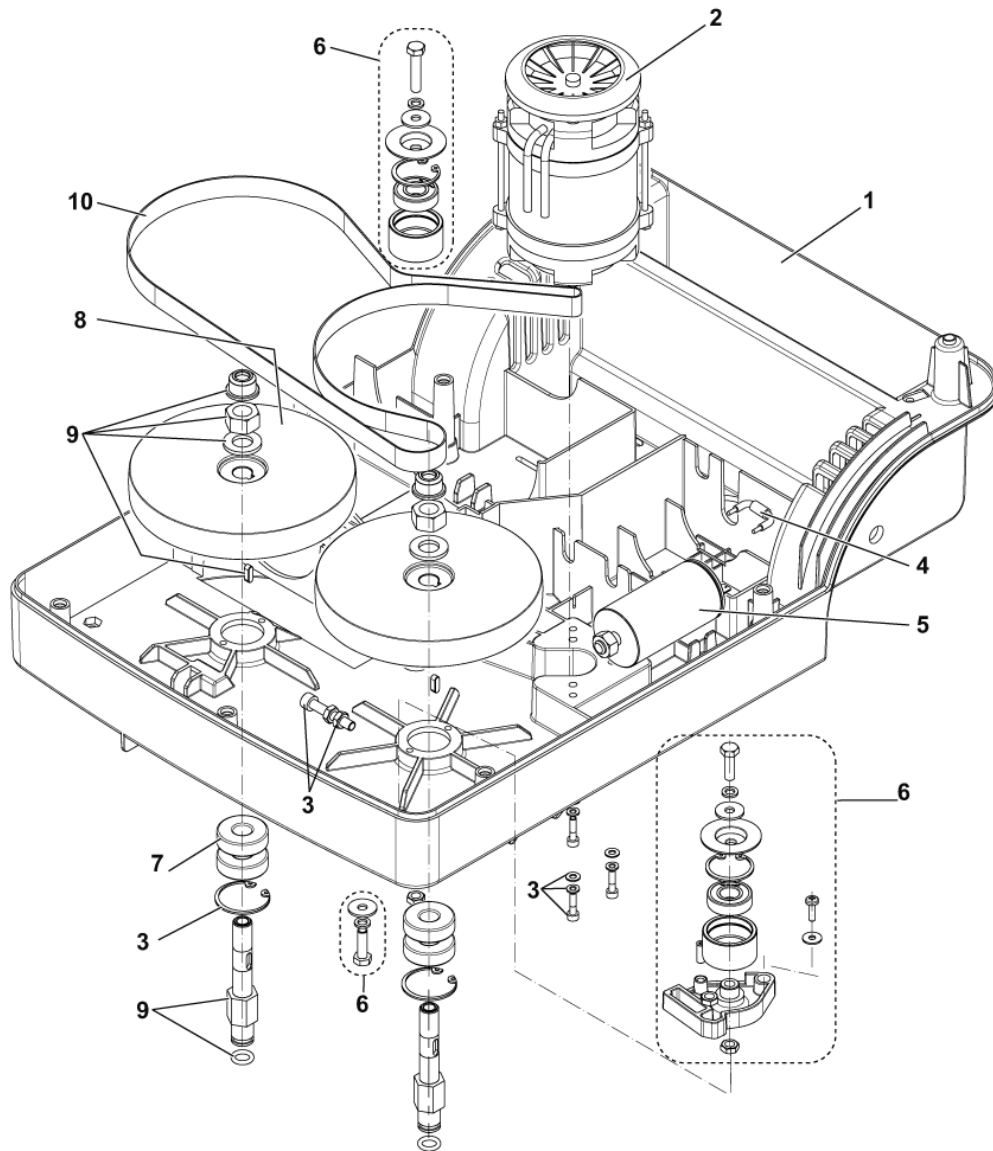
Part Notes:

- [1] - FROM S.NO.092300293 - TSB IT 2009-028
- [2] - NO LONGER AVAILABLE

- [3] - FROM S.NO.092300293 - TSB IT 2009-028
- [3] - GUARANTEE DATE EXPIRED
- [4] - GUARANTEE DATE EXPIRED

- [5] - FROM S.NO.094101184 - TSB IT 2009-028
- [5] - GUARANTEE DATE EXPIRED

- [6] - BEFORE S.NO.094101184 - TSB IT 2009-028
- [6] - GUARANTEE DATE EXPIRED
- Item 9097275000 was removed from the machine bill of materials it belonged to referring to the ECO 3414 SEE TSB IT 2009-028 Given input to 3510 to transfer it in MS40 ref. to Classification data. Serial no. break 104002715 (implemented in production 06.10.2010)
- [7] - NO LONGER AVAILABLE

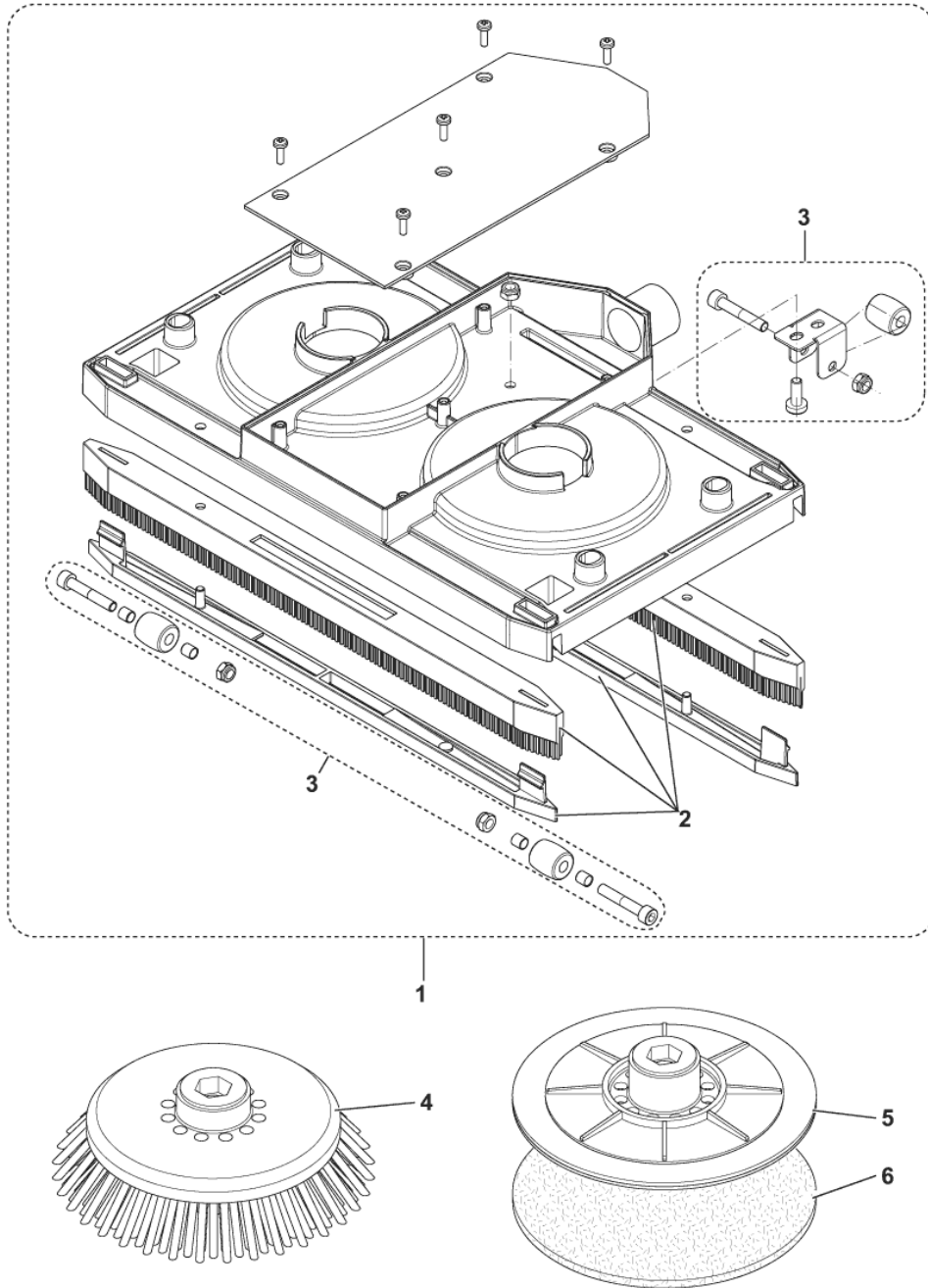


Pos.	Artikel-Nr.	Menge	Variante	Notes
1	9097215000	1	Deckel CA 331	[1]
2	9100000673	1	MOTOR ELECTRIC 100W 115V SIP	[1]
2	9100000672	1	MOTOR ELECTRIC 100W 230V PKD	[2]
3	9097467000	1	Befestigungsakit	[2]
4	33009099	1	Diode 1N4007	[2]
5	9097506000	1	Kondensator 20µF	[2]
5	9097280000	1	Kondensator 5µF	[2]
6	9097436000	1	Riemenspanner	[3]
7	9100002018	4	BEARING BALL 6201 2RS1 SIP	
8	9097240000	2	Riemenscheibe	[2]
9	9097435000	1	Bürstendüsen-Set	[1]
10	9097245000	1	Zahnriemen CA 331	

Part Notes:

- [1] - NO LONGER AVAILABLE
- [2] - GUARANTEE DATE EXPIRED
- [3] - GUARANTEE DATE EXPIRED

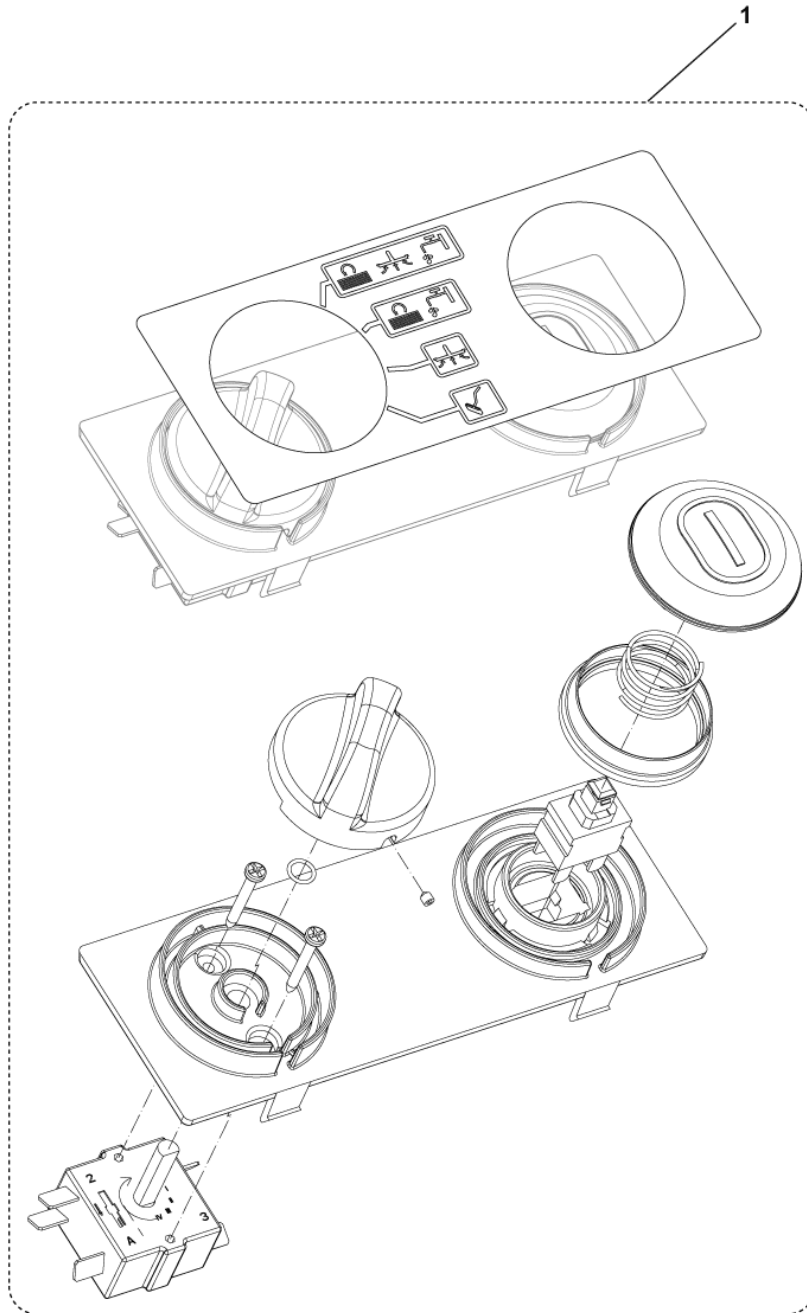
SEE TSB IT 2011-074



Pos.	Artikel-Nr.	Menge	Variante	Notes
1	9097432000	1	Bürstendeckkit	[1]
2	9097542000	1	Absaugleisten-Set, PU 380 mm, 15"	
3	9097434000	1	Radkit	[2]
4	9097543000	2	Bürste Prolene, hart Ø 165 mm, 6,5 "	[3]
4	9097242000	2	Bürste Prolite, weich, Ø 165 mm	
5	9097243000	2	Padhalter Ø 165 mm	[3]
6	10001968	1	Eco Pad 6,5", Ø 165 mm, weiß, VPE 10	[3]
6	72500223	1	Pad braun 165 mm, VPE 5	[4]
6	10001969	1	Eco Pad 6,5", Ø 165 mm, rot, VPE 10	[3]

Part Notes:

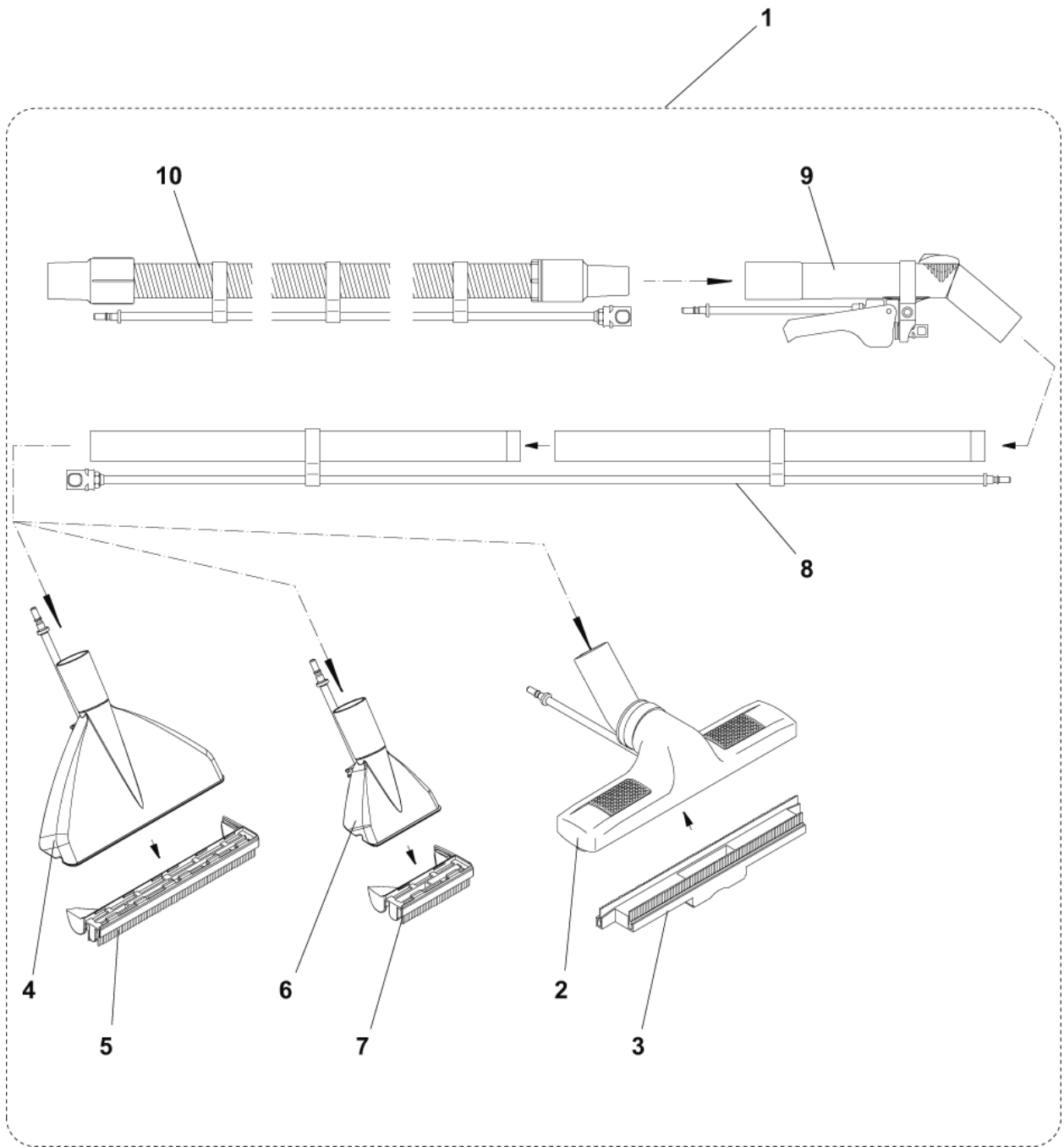
- [1] - GUARANTEE DATE EXPIRED
- [2] - STOCK COVERS GUARANTEE
- [3] - ACCESSORY
STOCK COVERS GUARANTEE
- [4] - ACCESSORY



Pos.	Artikel-Nr.	Menge	Variante	Notes
00	9098209000	1	HARNESS MACHINE EU	[1]
00	9097301000	1	HARNESS MACHINE EU	[2]
00	9098210000	1	HARNESS MACHINE UL	[1]
00	9097507000	1	HARNESS MACHINE UL	[2]
01	9097904000	1	Bedienfeld set mit membra	[3]

Part Notes:

- [1] - NO LONGER AVAILABLE
- FROM S.NO.094101184 - TSB IT 2009-028
- [2] - GUARANTEE DATE EXPIRED
- BEFORE S.NO.094101184 - TSB IT 2009-028
- [3] - GUARANTEE DATE EXPIRED
INST. INSTR. 9100000560



Pos.	Artikel-Nr.	Menge	Variante	Notes
0	9098304000	1	Sprühdüse CA331	[1]
1	9097575000	1	Teppichreinigungsset	[2]
2	9097566000	1	Gehäuse f. Hartbodendüse	[3]
3	9097567000	1	Gummibefestigungsrahmen	[3]
4	9097568000	1	NOZZLE 230	[4]
5	9097569000	1	FRAME RUBBERS 230MM	[5]
6	9097570000	1	Düse	[6]
7	9097571000	1	FRAME RUBBERS 100MM	[3]
8	9097572000	2	Verlängerungsschlauch	[3]
9	9097573000	1	Handgriff zu CA 331	[5]
10	9097574000	1	Schlauch 3 M zuTeppichset. CA 331	[5]

Part Notes:

- [1] - NO LONGER AVAILABLE
- FROM S.NO.094101184 - TSB IT 2009-028
- [2] - PRUNED ACCESSORY
- [3] - STOCK COVERS GUARANTEE
- [4] - STOCK COVERS GUARANTEE
- FROM S.NO.094101184 - TSB IT 2009-028
- [5] - GUARANTEE DATE EXPIRED
- [6] - NO LONGER AVAILABLE

Pos.	Artikel-Nr.	Menge	Variante	Notes
1	9097242000	2	Bürste Prolite, weich, Ø 165 mm	[1]
2	9097542000	1	Absaugleisten-Set, PU 380 mm, 15"	[1]
3	9097251000	1	Motordichtung Kappe	[2]
4	9097899000	1	Griff Satz	[2]
5	909 5719 000	2	Kohlebürsten-Set	[3]
6	9097245000	1	Zahnriemen CA 331	[3]
7	L08603126	1	Ansaugfilter	[3]
8	9100001732	1	HOSE SUCTION SQUEEGEE BLACK L.480MM SIP	[4]
9	9097674000	1	Saugschlauch Saugdüse (L	[4]
10	9097434000	1	Radkit	[5]
11	9097904000	1	Bedienfeld set mit membra	[6]
12	9100000672	1	MOTOR ELECTRIC 100W 230V PKD	[6]
13	9100000673	1	MOTOR ELECTRIC 100W 115V SIP	[7]
14	9097280000	1	Kondensator 5µF	[6]
15	9097506000	1	Kondensator 20µF	[6]
18	9097277000	1	Wasserventil CA 331	[7]
19	9097250000	1	Motordichtung	[6]
20	9097440000	1	Rad Set	[8]

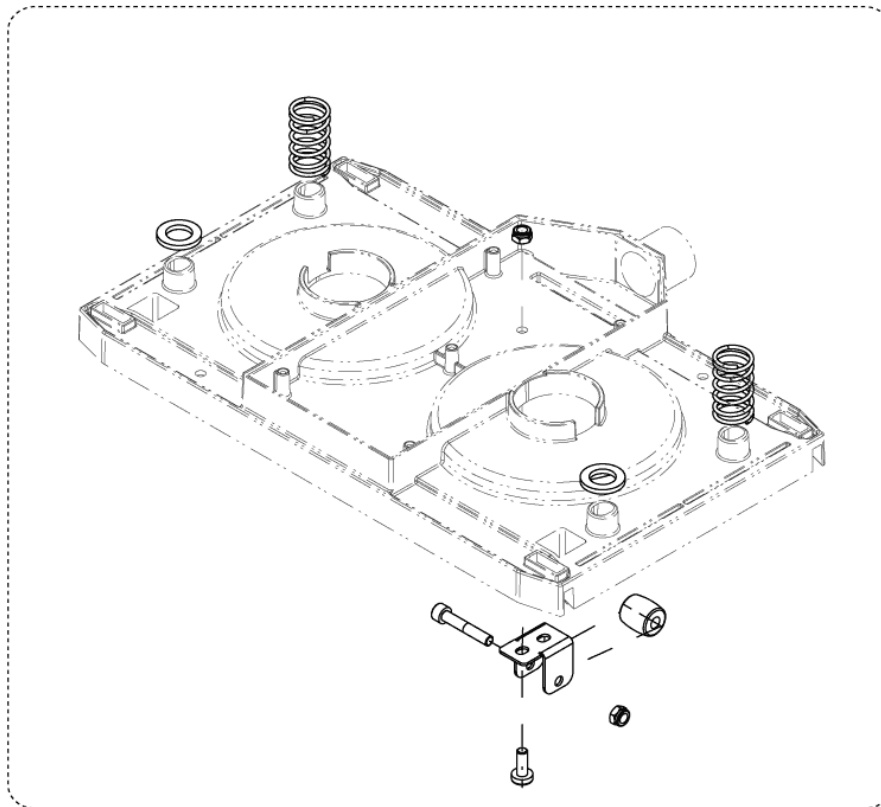
Part Notes:

- [1] - WEAR PART
- [2] - WEAR PART
GUARANTEE DATE EXPIRED
- [3] - ORDINARY MAINTENANCE
- [4] - ORDINARY MAINTENANCE
GUARANTEE DATE EXPIRED
- [5] - ORDINARY MAINTENANCE
STOCK COVERS GUARANTEE
- [6] - EXTRAORDINARY MAINTENANCE
GUARANTEE DATE EXPIRED
- [7] - EXTRAORDINARY MAINTENANCE
NO LONGER AVAILABLE
- [8] - EXTRAORDINARY MAINTENANCE
STOCK COVERS GUARANTEE

Pos.	Artikel-Nr.	Menge	Variante	Notes
1	9097575000	1	Teppichreinigungsset	[1]
2	9097543000	2	Bürste Prolene, hart Ø 165 mm, 6,5 "	[2]
3	9097243000	2	Padhalter Ø 165 mm	[2]
4	10001968	1	Eco Pad 6,5", Ø 165 mm, weiß, VPE 10	[2]
5	10001969	1	Eco Pad 6,5", Ø 165 mm, rot, VPE 10	[2]
6	10001970	1	Eco Pad 6,5", Ø 165 mm, braun, VPE 10	[2]

Part Notes:

- [1] - PRUNED ACCESSORY
[2] - STOCK COVERS GUARANTEE



1

Pos.	Artikel-Nr.	Menge	Variante	Notes
1	9098211000	1	Laufrollenkit	[1]

Part Notes:

- [1] - GUARANTEE DATE EXPIRED
FROM S.NO.091700016-TSB IT 2009-028

