

 **Nilfisk**<sup>®</sup>

 07351-5758060

[kontakt@nilfisk-alto-shop.com](mailto:kontakt@nilfisk-alto-shop.com)



**Preisabfrage bzw. Bestellungen der Artikel im Shop unter**

**[www.nilfisk-alto-shop.com](http://www.nilfisk-alto-shop.com)**

**einfach die Artikelnummer in die Suchmaske eingeben**

**(Bitte die Artikelnummer ohne Leerzeichen eingeben)**

# PARTS LIST

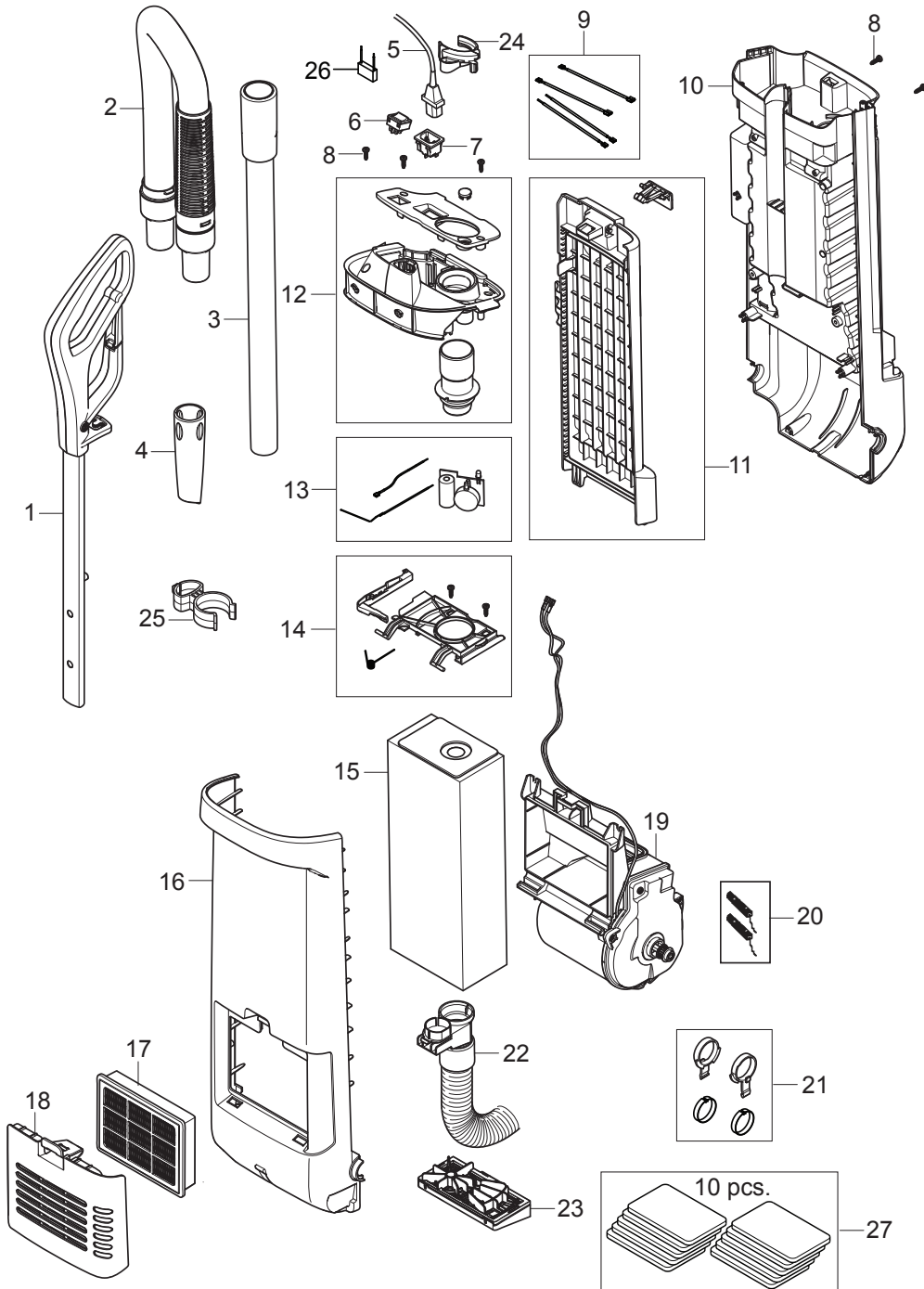


2016.12.28

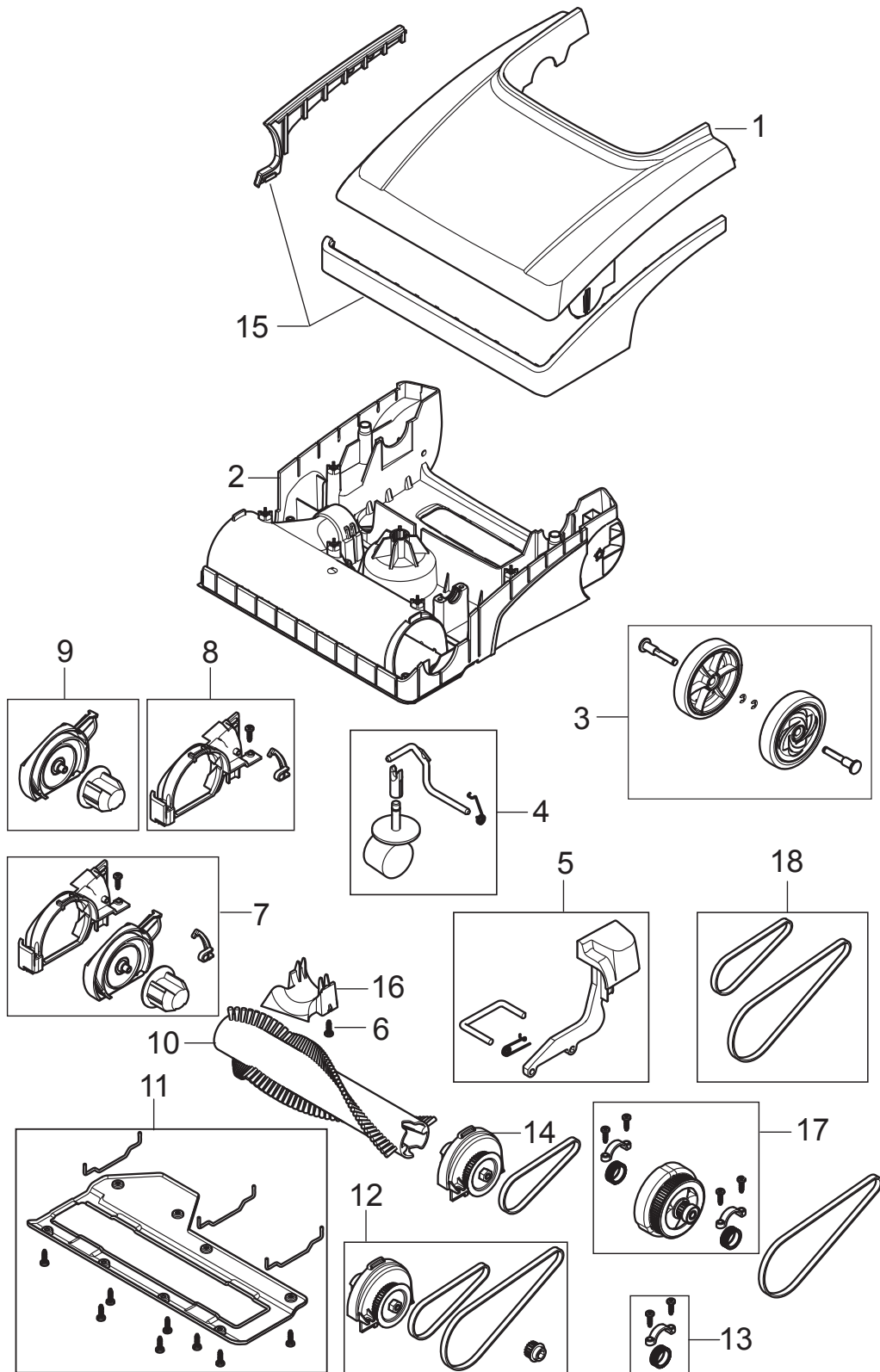
# TABLE OF CONTENTS

---

Body ..... 1  
Base 12" ..... 3  
Base 15" ..... 5



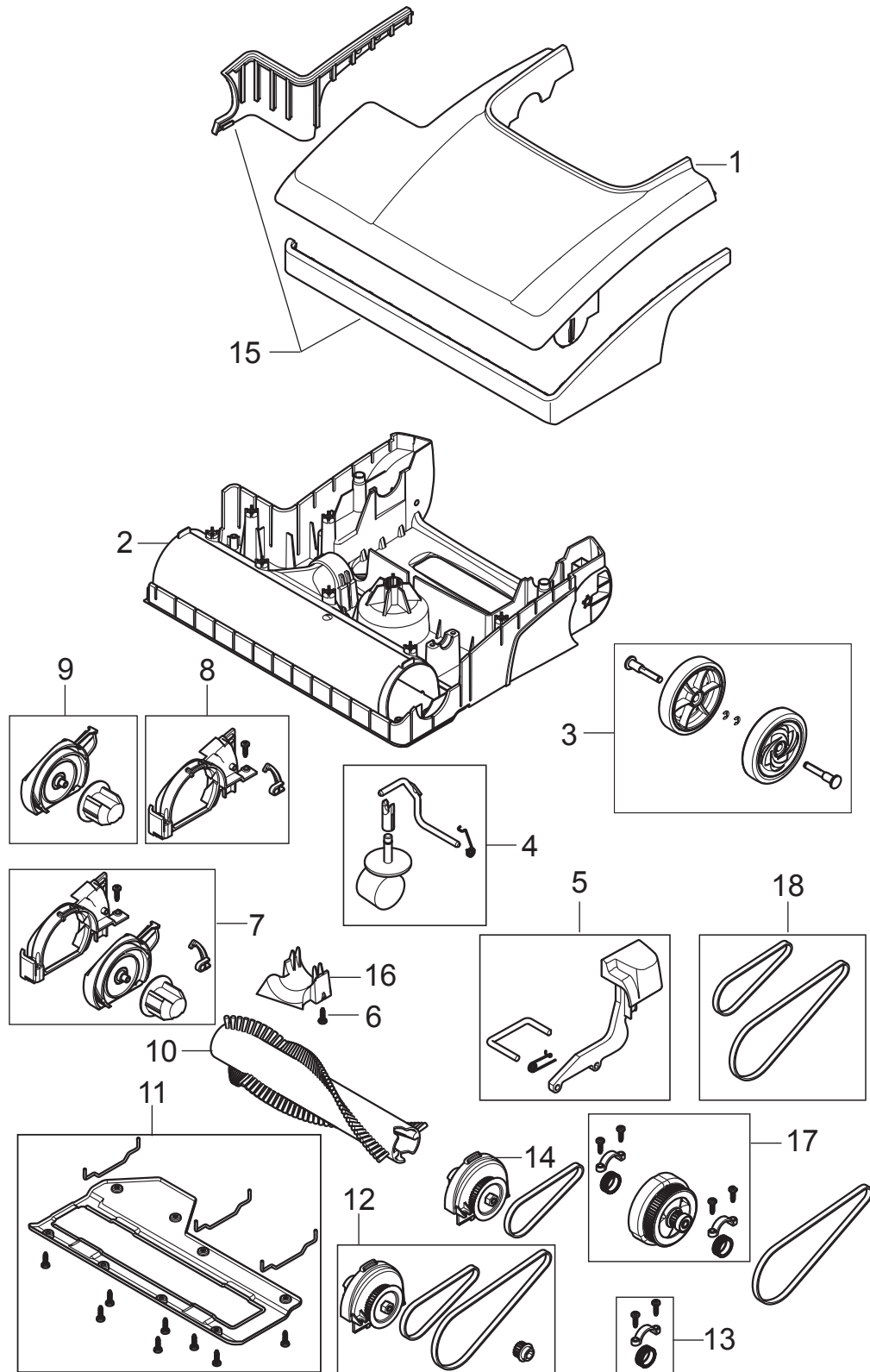
Pos.	Artikel-Nr.	Menge	Variante	Notes
1	107407581	1	HANDLE CPL	
2	147 0950 500	1	Saugschlauch, dehnbar	
3	147 0851 500	1	Verlängerungsrohr Ø 35 mm	
4	147 1203 500	1	Fugendüse Ø 32 mm	
5	107402676	1	Netzkabel 10 m, abnehmbar, orange	
5	107402677	1	DETACH CORD SET 10M ORANGE UK	
5	107402901	1	Netzkabel 15 m, abnehmbar, orange	
6	140 5496 510	1	Kippschalter Backu UZ 964	
7	107407583	1	APPLIANCE INLET	
8	140 9214 040	1	Schraube 40x14	
9	107407590	1	WIRE SET	
10	107407584	1	BODY COVER REAR	
11	107407585	1	LID CPL.	
12	107407586	1	COVER TOP CPL	
13	147 0987 500	1	Tütenfüllstandsanzeige	
14	147 0854 500	1	Papiertütenhalter	
15	107413586	1	Staubbeutel, VPE 10	
16	107407588	1	COVER BODY FRONT	
17	147 1250 600	1	HEPA-Filter H 13	
18	107407589	1	COVER EXHAUST FILTER	
19	147 0864 500	1	Motorkassette 220-240V	
20	147 1326 500	1	CARBON BRUSH KIT	
21	147 0927 500	1	Dichtungsringe	
22	147 0919 500	1	Adapter	
23	147 0958 500	1	Filterhalter	
24	107407717	1	TUBE HOLDER	
25	107407699	1	ACCESSORY HOLDER	
26	140 8166 010	1	Kondensator GD 930	
27	107418021	1	AIRFRESHER KIT 10PCS	



Pos.	Artikel-Nr.	Menge	Variante	Notes
1	107407569	1	COVER BASE	
2	107407571	1	CHASSIS 12INCH	
3	107416451	1	WHEEL SHAFT KIT	[1]
4	107407573	1	CASTOR KIT	
5	107407574	1	PEDAL WITH SHAFT AND SPRING	
6	140 9214 040	1	Schraube 40x14	
7	107407575	1	BRUSH COVER AND FRAME CPL	
8	107407576	1	BRUSH FRAME WITH CLIP	
9	107407577	1	BRUSH COVER WITH BEARING	[2]
10	107407697	1	Bürste 12"/ 295 mm	
11	107407578	1	BRUSH SHOE 12INCH 305	
12	107407698	1	END CUP KIT W. BELT AND DRIVE	
13	107407580	1	CLAMP AND GASKET KIT	
14	147 0913 500	1	Kugellager GU 355 Dual	
15	107407718	1	BUMPER 12INCH	
16	107407723	1	LOWER HOSE CLAMP	
17	107407722	1	CLUTCH ASSEMBLY COMPLETE	
18	107418025	1	BELT KIT FOR VU500	

## Part Notes:

- [1] - TSB-COM-VAC-2015-002 Wheel spare part kit for VU500  
DE TSB-COM-VAC-2015-002 VU 500 Ersatzteil-Kit Räder
- [2] - AE-COM-LI-vac 2015-001 - VU500 Brush Disconnection





Pos.	Artikel-Nr.	Menge	Variante	Notes
1	107407570	1	COVER CPL.15INCH	
2	107407572	1	CHASSIS 15INCH	
3	107416451	1	WHEEL SHAFT KIT	[1]
4	107407573	1	CASTOR KIT	
5	107407574	1	PEDAL WITH SHAFT AND SPRING	
6	140 9214 040	1	Schraube 40x14	
7	107407575	1	BRUSH COVER AND FRAME CPL	
8	107407576	1	BRUSH FRAME WITH CLIP	
9	107407577	1	BRUSH COVER WITH BEARING	[2]
10	107408004	1	BRUSH 15INCH 68MM	
11	107407579	1	BRUSH SHOE 15INCH	
12	107407698	1	END CUP KIT W. BELT AND DRIVE	
13	107407580	1	CLAMP AND GASKET KIT	
14	147 0913 500	1	Kugellager GU 355 Dual	
15	107407719	1	BUMPER RIGHT 15INCH	
16	107407723	1	LOWER HOSE CLAMP	
17	107407722	1	CLUTCH ASSEMBLY COMPLETE	
18	107418025	1	BELT KIT FOR VU500	

## Part Notes:

- [1] - TSB-COM-VAC-2015-002 Wheel spare part kit for VU500  
DE TSB-COM-VAC-2015-002 VU 500 Ersatzteil-Kit Räder
- [2] - AE-COM-LI-vac 2015-001 - VU500 Brush Disconnection

