

NOTES
 ⚠ DISCONNECT RED WIRE ON CB2 AND REPLACE WITH GREEN WIRE FROM CHARGER WHEN ON BOARD CHARGER IS USED.
 REF DRAWING 56601177 DIAGRAM, AXP WIRING

Pos.	Artikel-Nr.	Menge	Variante	Notes
A1	56384462	1	INTERFACE PANEL ASSY	
A2	56601061	1	SPEED CONTROL	
BAT		1	BATTERY, NOT AVAILABLE	[1]
CB1	56454429	1	CIRCUIT BREAKER 70A	
CB2	56507644	1	CIRCUIT BREAKER 10 AMP	
F1	56412089	1	FUSE 150 AMP	
H1	56307166	1	Rundumleuchte	[2]
H2	56412177	1	Horn RückfahralarmBR 1100S	
K1	56601183	1	CONTACTOR 24V 100 AMP	
K2	56412179	1	CONTACTOR 24 VDC	
L1	56601064	1	SOLENOID VALVE ASSEMBLY	[3]
M1	56601050	1	MOTOR DRIVE WHEEL	
M2	56315241	1	EDS Pumpe	
M3	56601147	1	ACTUATOR MOTOR 24V	
M4	56601432	1	LIFT ACTUATOR ASSEMBLY	
M5	56601488	1	Saugturbine	
M6	56601488	1	Saugturbine	[2]
M7	56601134	2	Bürstenmotor	[4]
M7	56315061	1	Motor 24V 5HP	[5]
M8	56601134	2	Bürstenmotor	[4]
M8	56315061	1	Motor 24V 5HP	[5]
R1		1	Part of 56385804	
S1	56303553	1	KEY SWITCH ASSEMBLY	
S1	56303526	1	Schlüssel, 2Stk.	[6]
S2	7-82-00050	1	Sitzschalter BR 1300 S	
S4	56407130	1	Schalter(Notunterbrecher)	
Y1	56601507	1	PARKING BRAKE	
Y1	56315124	1	Einbauladegerät 24V	[7]

Part Notes:

- [1] - BATTERY, NOT AVAILABLE
- [2] - OPTIONAL
- [3] - TSB-FC-2015-023-Various Machines -Clean water leaking from machine when
DE TSB-FC-2015-023 Div. Maschinen - Undichtes Magnetventil
- [4] - DISK
- [5] - CYLINDRICAL, TSB US 2010-1058. Identification of Cyl. Brush Motors
- [6] - OPTIONAL, NOT INCLUDED

for 56303553

- [7] - TSBUS2008-984

Pos.	Artikel-Nr.	Menge	Variante	Notes
1		1	Kits	[1]
2	56397453	1	INDICATOR BATTERY LEVEL	[2]
3	7-03-04249	1	Armlehne links	
4	56383188	1	ARM REST KIT R/H + L/H	
5	56601085	1	Blitzlampe	
6	56601087	1	Handsaugset	
7	56422162	1	Sicherheitsgurt	
8	56601090	1	Saugmotor	
9	56601080	1	Einbauladegerät	
10	56601527	1	KIT BATTERY WATERING	[2]
11	56315732	1	Programmiergerät	
12	56601082	1	Ecoflex-Set	
13	56601735	1	DEBRIS TRAY	
14	56601546	1	Tellerdeck 71 cm komplettBR 755	
15	56601547	1	KIT 34 DISK DECK ASSY	
16	56601756	1	Walzendeck 28"	
17	56383697	1	SKIRT EXT-CONCRETE POLISH KIT	
18		1	BR 755 Squeegee Blade Kits	
19	56120335	1	SQUEEGEE BLADE KIT 28-GUM-M	
21	56120336	1	Sauglippen-Set PU-M	
23	56120334	1	Sauglippen-Set LINATEX-M	
25		1	BR 855 Squeegee Blade Kits	
26	56382738	1	Absaugleisten-Set	
27	56382740	1	Sauglippen-Set PU	[3]
28	56120338	1	Sauglippen-Set LINATEX-L	
29		1	Disk Deck Blade Kits	
30	56383488	1	Seitenschürze-Set, Gummi	
31	56383490	1	Seitenschürze-Set, PU	
32	56383489	1	Seitenschürze-Set, Gummi rot	
33		1	Cylindrical Deck Blade Kits	
34	56316194	1	Seitenschürze	
35	56601538	1	Seitenschürzen-Set PU	
36	56601681	1	Seitenschürzen-Set zyl.	
37		1	Accessories	
38	56383571	1	PROGRAMMER-USER	
39	56383572	1	PROGRAMMER CABLE-MOLEX	
40	56044419	1	LITERATURE PACK	[4]
41		1	BA 755 Disk Scrub Brushes (See Brush Selector Guide)	
42	56505800	2	Padhalter 14"	
43	56505195	2	Padverschluss m. Spange	
44	56505805	2	Bürste PPN weich Prolite	
45	56505804	2	Bürste Prolene 14"	
46	56505806	2	Bürste Union Mix	
47	56505803	2	Bürste Sica weich 14"	
48	56505807	2	Bürste Sica weich, Grit 240	
49	56505808	2	Bürste Sica, Grit 180	
50	56505802	2	Bürste Sica mittel, Dyna Grit 360 mm	
51	56505801	2	Bürste Sica hart, Magna Grit 46	
52		1	BA 855 Disk Scrub Brushes (See Brush Selector Guide)	
53	56505780	2	Padhalter 430 mm	
54	56505195	2	Padverschluss m. Spange	
55	56505785	2	Bürste PPN weich 430 mm	
56	56505784	2	Bürste PPN hart 430 mm	
57	56505786	2	Bürste Union Mix 430 mm	
58	56505783	2	BÜRSTE AGLITE, WEICH 400 MM	
59	56505787	2	Bürste Mid Grit 240, 430 mm	
60	56505788	2	Bürste Mid Grit 180	
61	56505782	2	Bürste Dyna Grit, mittel 400 mm	
62	56505781	2	Bürste Magna Grit, hart 400 mm	

Pos.	Artikel-Nr.	Menge	Variante	Notes
63		1	BA 755 Cylindrical Scrub Brushes (See Brush Selector Guide)	
64	56412191	2	Bürstenwalze Nylon, weich, gelb	[5]
65	56412192	2	Bürstenwalze Nylon, hart, Naturborsten	
66	56412046	2	Bürstenwalze PP, rot	
67	56412193	2	Bürstenwalze Sica Grit 180, blau/grau	
68	56412194	2	Walze Sica schwarz BR700C	[5]
69	56412195	2	Walze Sica braun BR 700 C	[5]

Part Notes:

- [1] - NOTE 2: All disk deck blade kits include all side skirt blades.
NOTE 3: All cylindrical deck blade kits include all blades necessary.
NOTE 4: These squeegee blades are designed to provide increased performance and reduced streaking. When installing these blades on a machine built before November 2011 you must also order a new rear strap part number 56382676.
- [2] - NOT FOR SALE VIA EDC
- [3] - EXPIRED USE 56120340
- [4] - PRINT FROM HOMEPAGE
- [5] - COMPLEXITY REDUCTION

We provide brushes and pad holders that will give you the best possible performance between machine and floor. Following are descriptions of the materials and their applications.

- Union Mix:** Medium grade natural fibers for polishing finished floors with standard-speed equipment. Recommended for use in place of white pads.
- ProLite:** Bristles are made from light-duty polypropylene for general scrubbing when you do not want to scratch or remove finish from the floor. Recommended for use in place of red pads.
- Prolene:** Polypropylene material for medium-duty scrubbing on concrete, terrazzo and vinyl floor tile. Recommended for use in place of green or blue pads.
- Magna Grit:** For extreme heavy-duty scrubbing or stripping of floors. This brush has extra large diameter silicon carbide grit impregnated synthetic bristles. Recommended for use in place of black pads.
- Dyna Grit:** For aggressive, heavy-duty scrubbing or stripping of floors. Recommended for use in place of brown pads.
- MidLite Grit:** For general purpose scrubbing of sealed or unsealed concrete, stone, terrazzo, quarry tile and other resilient hard floor surfaces. Recommended for use in place of green or blue pads.
- MidGrit:** For general purpose scrubbing when you need a lighter action for sealed or unsealed concrete, stone, terrazzo, quarry tile and other resilient hard floor surfaces. Recommended for use in place of green or blue pads.
- AgLite Grit:** For light scrubbing when used wet; buffing or polishing when used dry on urethane coated, sealed concrete or other resilient hard surface floors. Recommended for use in place of red or white pads.
- Short Trim Pad Holder:** Made with a structural foam block and center ring for correct pad centering. It has a "shower feed" design for getting solution to the floor.

BR 755 BRUSHES

- 56505800 - Short Trim Pad Holder
- 56505195 - Pad Retainer for 56505800
- 56505801 - Magna Grit
- 56505802 - Dyna Grit
- 56505803 - AgLite Grit
- 56505804 - Prolene
- 56505805 - ProLite
- 56505806 - Union Mix
- 56505807 - MidGrit
- 56505808 - MidLite Grit

BR 855 BRUSHES

- 56505780 - Short Trim Pad Holder
- 56505195 - Pad Retainer for 56505830
- 56505781 - Magna Grit
- 56505782 - Dyna Grit
- 56505783 - AgLite Grit
- 56505784 - Prolene
- 56505785 - ProLite
- 56505786 - Union Mix
- 56505787 - MidGrit
- 56505788 - MidLite Grit

DISC BRUSH APPLICATION GUIDE (SUGGESTION ONLY)

Application	46 Grit	80 Grit	180 Grit	240 Grit	500 Grit	Prolene	ProLite	Union Mix
Stripping:								
Concrete	X	X						
Terrazzo	X	X						
Ceramic/Quarry tile		X						
Vinyl tile		X						
General Scrubbing:								
Concrete	X	X	X	X		X		
Terrazzo			X	X	X	X		
Ceramic/Quarry tile			X	X	X	X		
Marble					X		X	
Vinyl tile			X		X	X		
Raised-rubber tile					X		X	
Polishing:								
Raised Disc Tile								X
Marble								X
Vinyl tile								X

Pos.	Artikel-Nr.	Menge	Variante	Notes
			Pos. 1-10: BR 755 Brushes	
01	56505800	1	Padhalter 14"	
02	56505195	1	Padverschluss m. Spange	[1]
03	56505801	1	Bürste Sica hart, Magna Grit 46	
04	56505802	1	Bürste Sica mittel, Dyna Grit 360 mm	
05	56505803	1	Bürste Sica weich 14"	
06	56505804	1	Bürste Prolene 14"	
07	56505805	1	Bürste PPN weich Prolite	
08	56505806	1	Bürste Union Mix	
09	56505807	1	Bürste Sica weich, Grit 240	
10	56505808	1	Bürste Sica, Grit 180	
			Pos. 11-20: BR 855 Brushes	
11	56505780	1	Padhalter 430 mm	
12	56505195	1	Padverschluss m. Spange	[2]
13	56505781	1	Bürste Magna Grit, hart 400 mm	
14	56505782	1	Bürste Dyna Grit, mittel 400 mm	
15	56505783	1	BÜRSTE AGLITE, WEICH 400 MM	
16	56505784	1	Bürste PPN hart 430 mm	
17	56505785	1	Bürste PPN weich 430 mm	
18	56505786	1	Bürste Union Mix 430 mm	
19	56505787	1	Bürste Mid Grit 240, 430 mm	
20	56505788	1	Bürste Mid Grit 180	

Part Notes:

- [1] - PAD RETAINER FOR 56505800
 [2] - PAD RETAINER FOR 56505830

We provide brushes and pad holders that will give you the best possible performance between machine and floor. Following are descriptions of the materials and their applications.

- 46 Grit Brush: Most aggressive grit brush. Used primarily to clean heavy buildup on concrete floors in factories, or for heavy stripping of finish.
- 80 Grit Brush: Medium aggressive grit brush. Good all-around brush for medium to heavy buildup removal. Can also be used for general stripping operations.
- 180 Grit Brush: Least aggressive grit brush. Used for daily cleaning of hard-finished floors.
- Polypropylene Brush: Standard equipment brush. Low cost, yet effective in cleaning many common floor surfaces.
- Stiff Nylon Brush: Cleaning action similar to polypropylene. More durable and wear-resistant than polypropylene.
- Soft Nylon Brush: Least aggressive brush available. Used on soft-finish floors where a more aggressive brush would leave scratch marks, or in applications requiring very light cleaning.

BR 755 BRUSHES

- 56412191 - Soft Nylon
- 56412192 - Hard Nylon
- 56412046 - Prolene
- 56412193 - 180 Grit
- 56412194 - 80 Grit
- 56412195 - 46 Grit

CYLINDRICAL BRUSH APPLICATION GUIDE (SUGGESTION ONLY)

Application	46 Grit	80 Grit	180 Grit	Polypropylene	Stiff Nylon	Soft Nylon
Stripping:						
Concrete	X	X				
Terrazzo	X	X				
Ceramic/Quarry tile		X				
Vinyl tile		X				
General Scrubbing:						
Concrete	X	X	X	X	X	
Terrazzo			X	X	X	X
Ceramic/Quarry tile			X	X	X	X
Marble			X		X	X
Vinyl tile			X	X	X	X
Raised-rubber tile			X			X

Pos.	Artikel-Nr.	Menge	Variante	Notes
01	56412191	1	Bürstenwalze Nylon, weich, gelb	[1]
02	56412192	1	Bürstenwalze Nylon, hart, Naturborsten	
03	56412046	1	Bürstenwalze PP, rot	
04	56412193	1	Bürstenwalze Sica Grit 180, blau/grau	
05	56412194	1	Walze Sica schwarz BR700C	[1]
06	56412195	1	Walze Sica braun BR 700 C	[1]

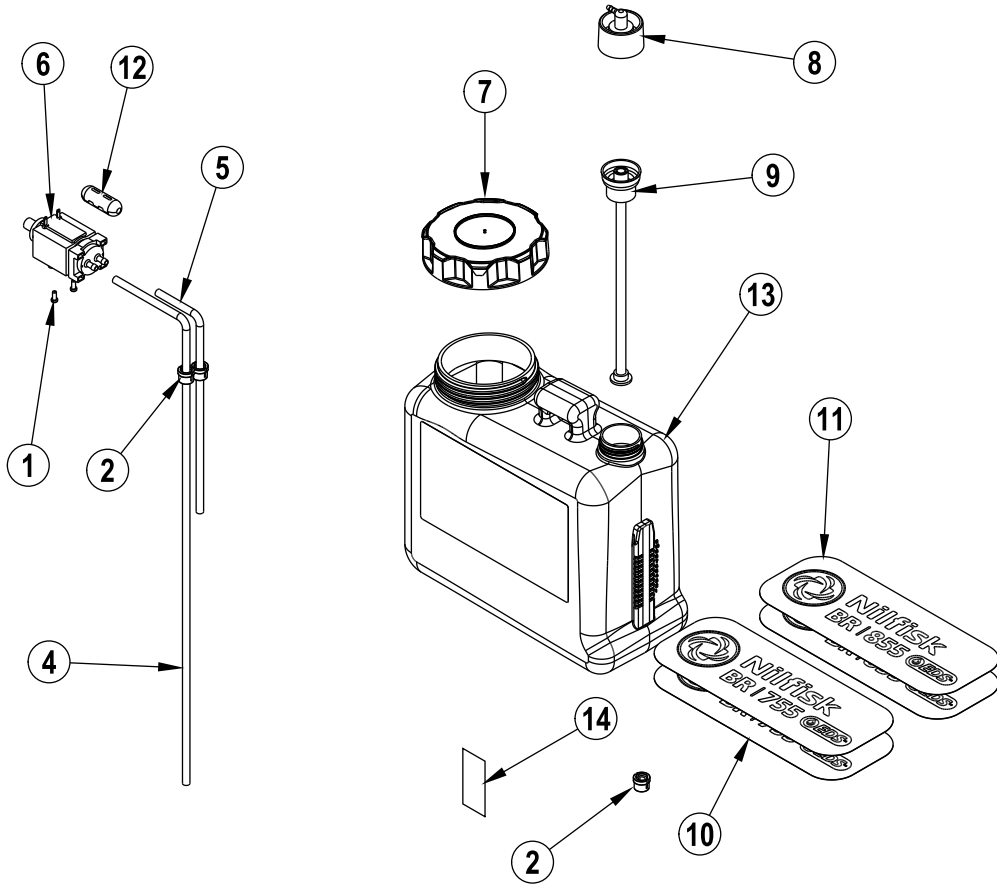
Part Notes:

[1] - COMPLEXITY REDUCTION

Pos.	Artikel-Nr.	Menge	Variante	Notes
	56507644	1	CIRCUIT BREAKER 10 AMP	
	56385084	1	Fahrpedal komplett	
	56601077	1	SPINDLE WELDT	
	56601171	1	Batteriestecker	
	56601271	1	KNOB 5/16 STUD	
	56314580	1	Kugellager	
	56316089	1	Abweisrolle	
	56601125	1	Filter	
	56601533	1	Getriebe MOTOVARIO GEARBOX	
	56601061	1	SPEED CONTROL	
	56601134	1	Bürstenmotor	
	56601537	1	BALL BEARING OUTPUT SIDE	
	56384462	1	INTERFACE PANEL ASSY	
	56601183	1	CONTACTOR 24V 100 AMP	
	56396268	1	Führung f. Feder	
	56379139	1	Schlauch PVC .750x30	
	7-82-00050	1	Sitzschalter BR 1300 S	
	56601488	1	Saugturbine	
	56601535	1	Keil	
	56601076	1	Tank	
	56601495	1	Befestigung Vorne D	
	56261265	1	Plastikrohr	
	56601489	1	Befestigungsschiene	
	56601591	1	Befestigungsschiene	
	56601037	1	WELDT-SQUEEGEE MOUNT	
	56601060	1	STEERING WHEEL	
	56601593	1	Halteschiene Saugfuss	
	56114185	1	Deckeldichtung für Schmutzwassertank	
	56315061	1	Motor 24V 5HP	
	56601534	1	Bürstenmotor	
	56601096	1	Bedienfeld - Kit	
	56601536	1	MOTOR FAN	
	56601508	1	PLASTIC COVER	
	56394602	1	HOSE-REC-1.5 X 46	
	56601050	1	MOTOR DRIVE WHEEL	
	56510442	1	Schraubverschluß	
	56409485	1	CABLE ASSY.1 X 15.00	
	56382693	1	Rad	
	56601172	1	Stecker ASM	
	56601594	1	Wasserfilter	
	56009062	1	Schraube	
00	56344172	1	TUBE PRESSURE SENSING W/ELBOW	
00	56120338	1	Sauglippen-Set LINATEX-L	
00	56601449	1	Absaugleiste Kompl.	
00	56115344	1	IDLER END ASSY	
00	56412179	1	CONTACTOR 24 VDC	
00	56112553	1	HOSE	
00	56382740	1	Sauglippen-Set PU	[1]

Part Notes:

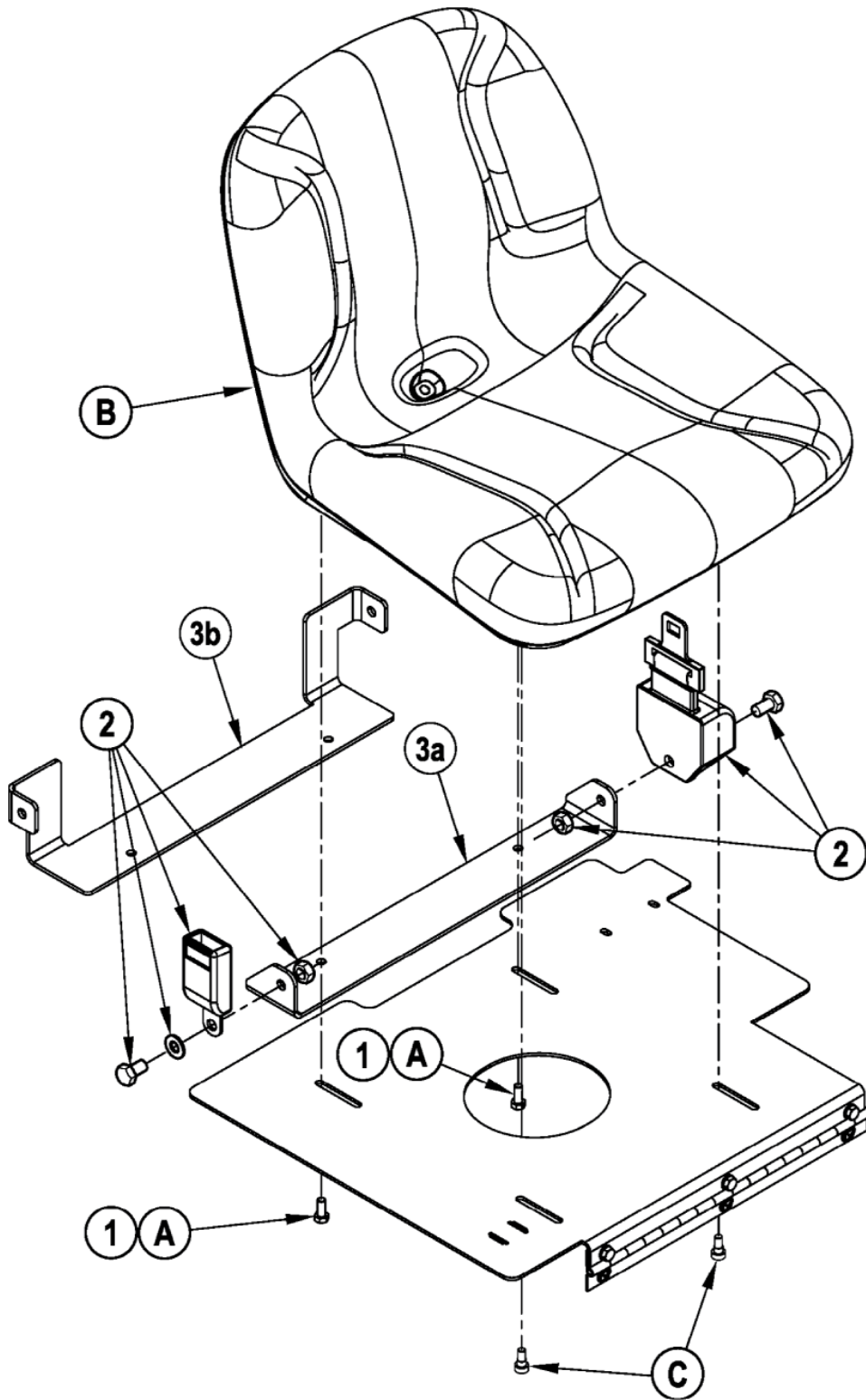
[1] - EXPIRED USE 56120340



Pos.	Artikel-Nr.	Menge	Variante	Notes
0	56601082	1	Ecoflex-Set	
1	56002539	2	SCR PAN PHIL TD FORM 6-32 X.31	
2	56003699	3	Ablaßschraube 1/4	
[3]	56040982	1	INSTRUCTION SHEET	[1]
4	56314942	1	Schlauch	
5	56314991	1	Schlauch 14,	
6	56315241	1	EDS Pumpe	
7	9100001817	1	CAP PLASTIC F CHEMICAL TANK SIP	
8	56315523	1	Deckel EDS-Schwimmer	
9	56315527	1	Buchseneinsatz EDSzu BA 551	
10	56601306	2	Aufkleber - ECOFLEX	
11	56601308	2	Aufkleber	
12	56601514	1	FERRITE BEAD	
13	56601544	1	Tank für Ecoflex	
14	56016331	1	DECAL CHEMICAL RATIO	

Part Notes:

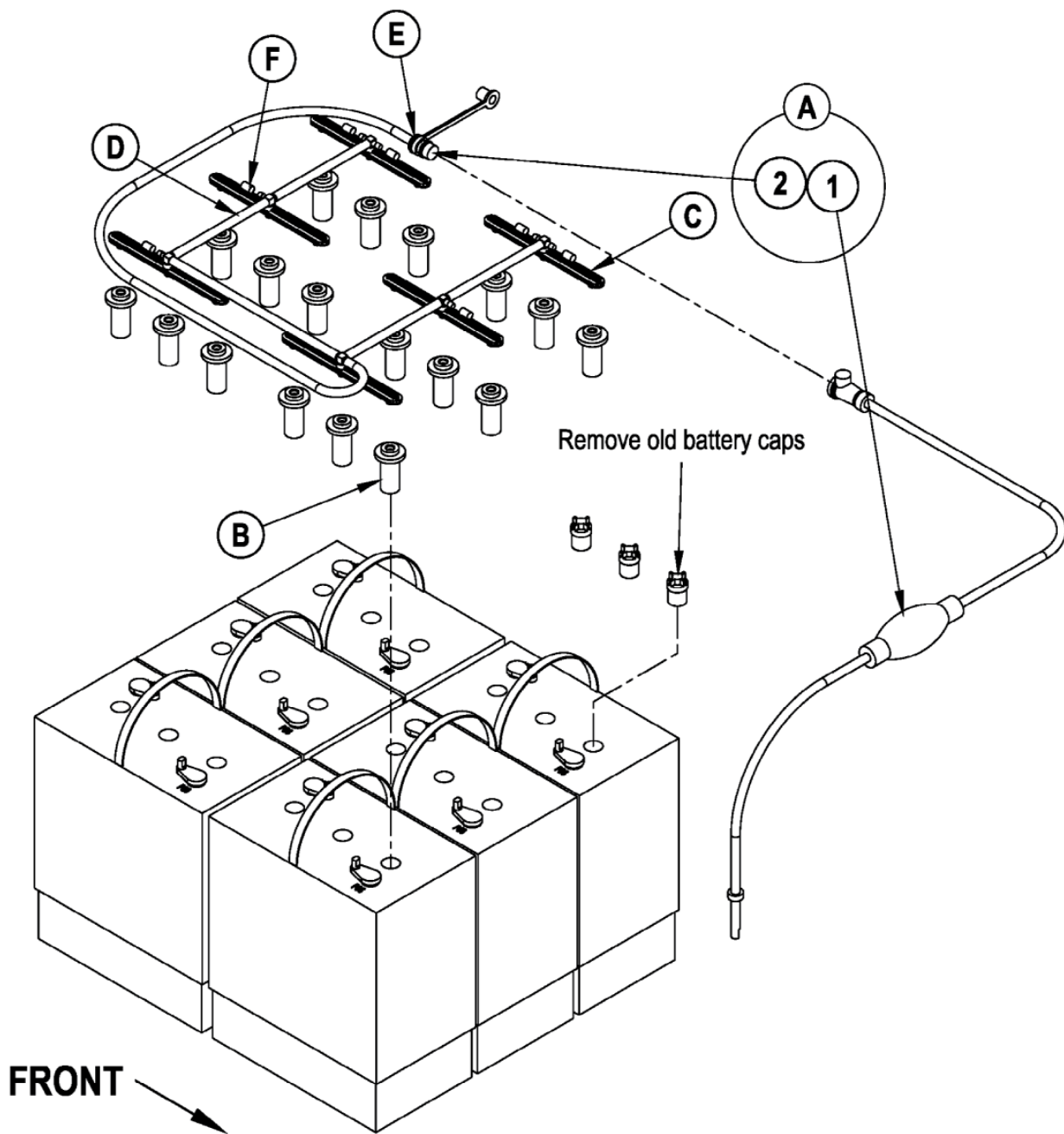
[1] - PRINT FROM HOMEPAGE



Pos.	Artikel-Nr.	Menge	Variante	Notes
00	56422162	1	Sicherheitsgurt	
01	56003179	2	Schraube HEX THD/HD M8-1,	
02	56314962	1	SEAT BELT KIT	[1]
03A	56422160	1	BRACKET SEAT BELT	[2]
03B	56422160	1	BRACKET SEAT BELT	[3]

Part Notes:

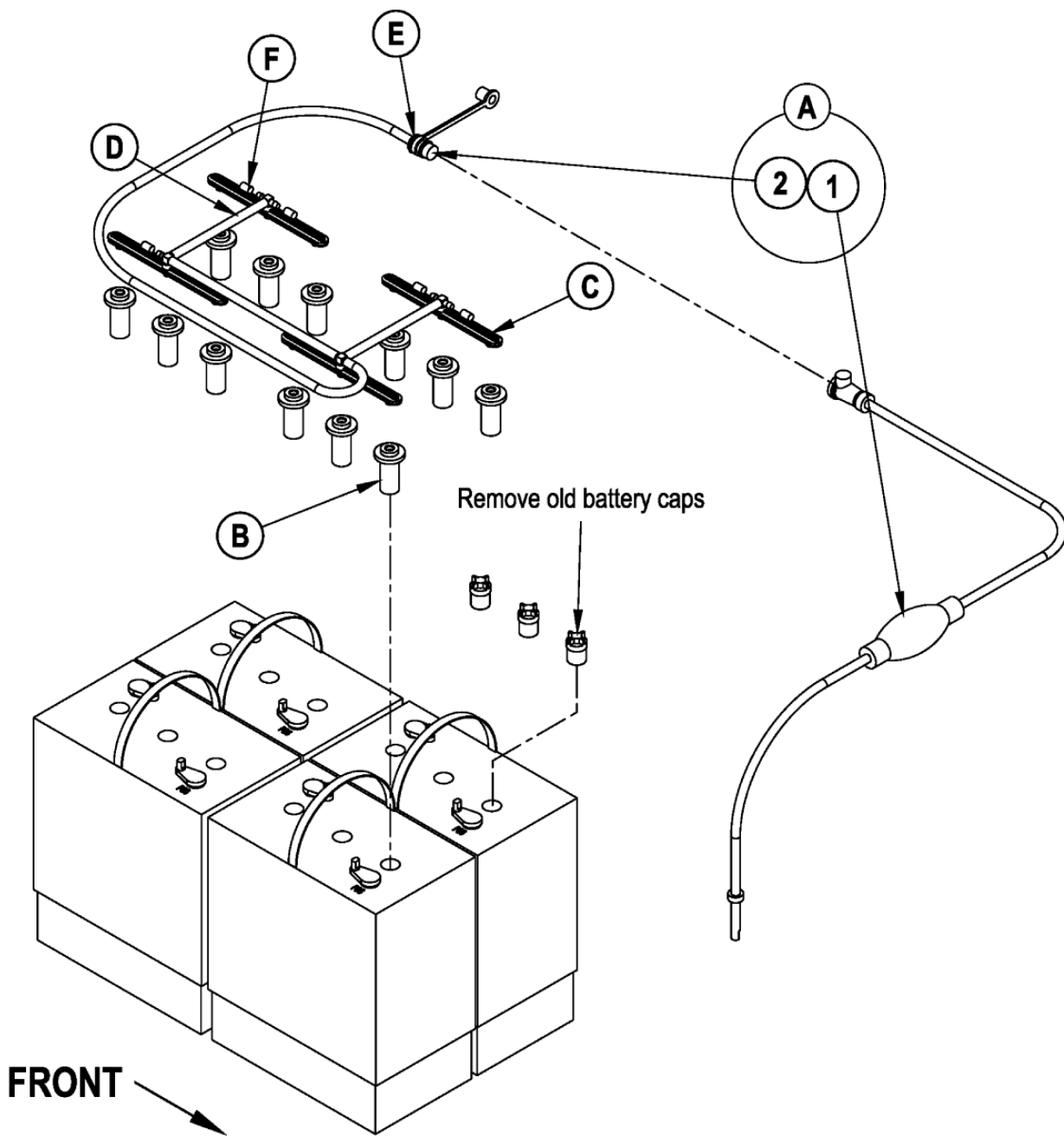
- [1] - INCLUDES HARDWARE
EXPIRED ON 7/27/2020
- [2] - FOR 56314312
- [3] - FOR 56422162



Pos.	Artikel-Nr.	Menge	Variante	Notes
	56601527	1	KIT BATTERY WATERING	[1]
	56314981	1	Befüllungssystem-Kit 36V	
01	56314978	1	WATER PUMP	
02	56601525	1	MANIFOLD ASSEMBLY	
02	56314979	1	MANIFOLDS BATTERY WATERING	
0A	56314981	1	Befüllungssystem-Kit 36V	[2]
0B	56601526	1	SYSTEM BATTERY WATERING	[3]

Part Notes:

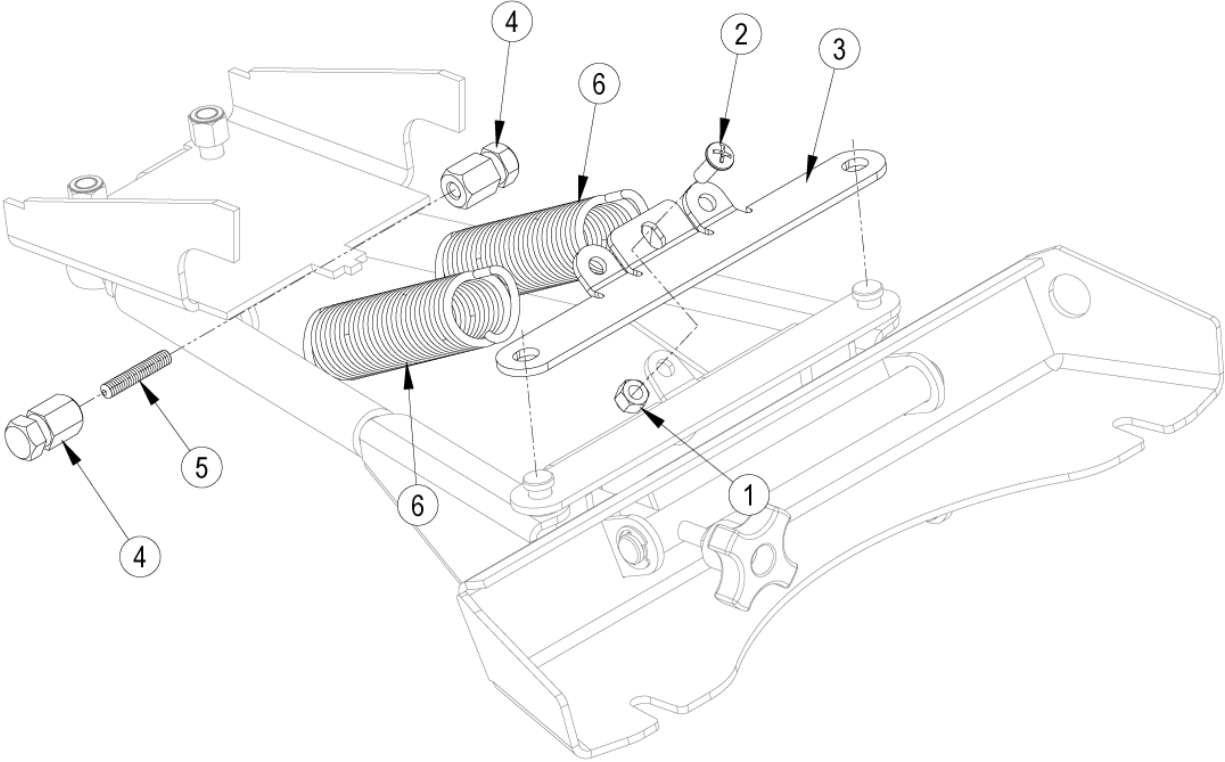
- [1] - NOT FOR SALE VIA EDC
- [2] - FOR 56314981
- [3] - FOR 56601527



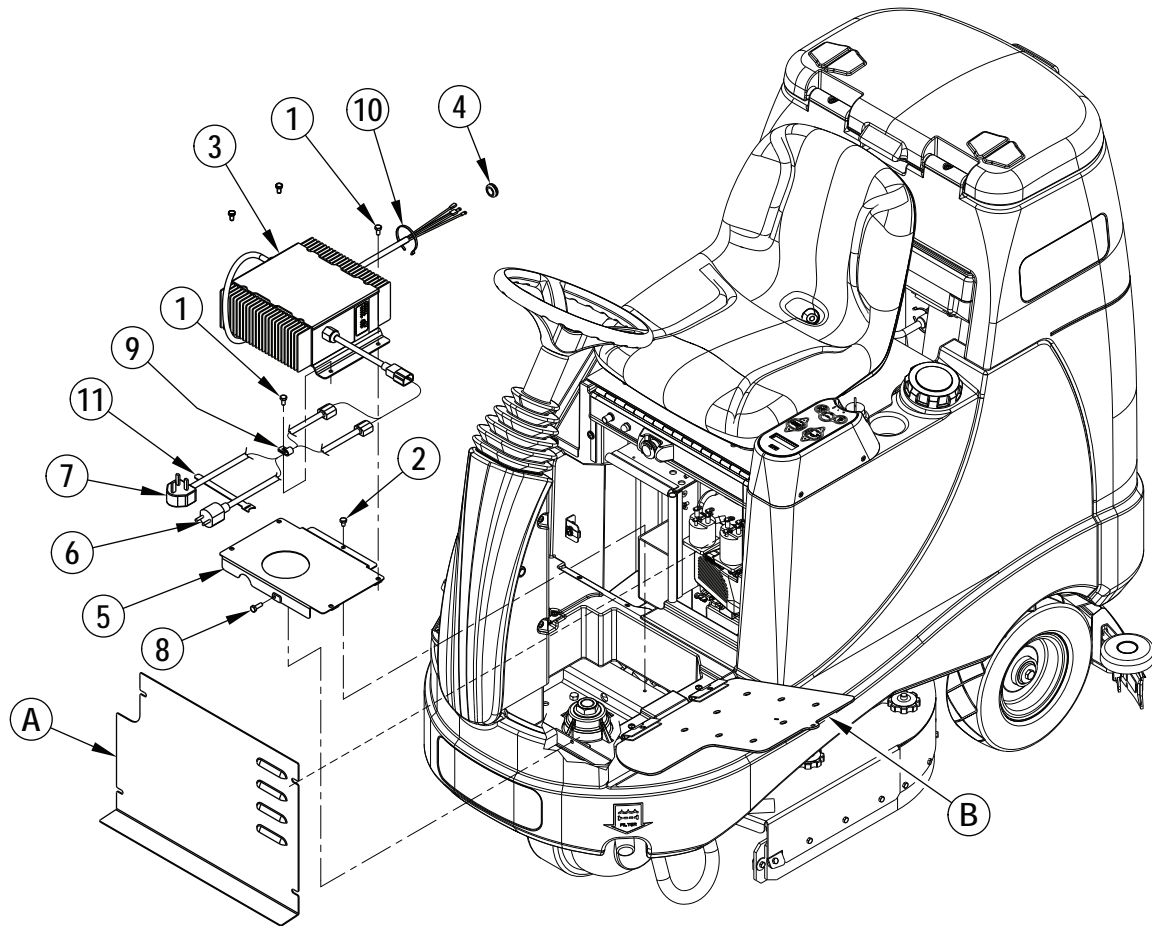
Pos.	Artikel-Nr.	Menge	Variante	Notes
	56601527	1	KIT BATTERY WATERING	[1]
	56314981	1	Befüllungssystem-Kit 36V	
01	56314978	1	WATER PUMP	
02	56601525	1	MANIFOLD ASSEMBLY	
02	56314979	1	MANIFOLDS BATTERY WATERING	
0A	56314974	1	SYSTEM BATTERY WATERING	[2]
0B	56601526	1	SYSTEM BATTERY WATERING	[3]

Part Notes:

- [1] - NOT FOR SALE VIA EDC
- [2] - FOR 56314981
NON-SALEABLE USE 56314981
- [3] - FOR 56601527



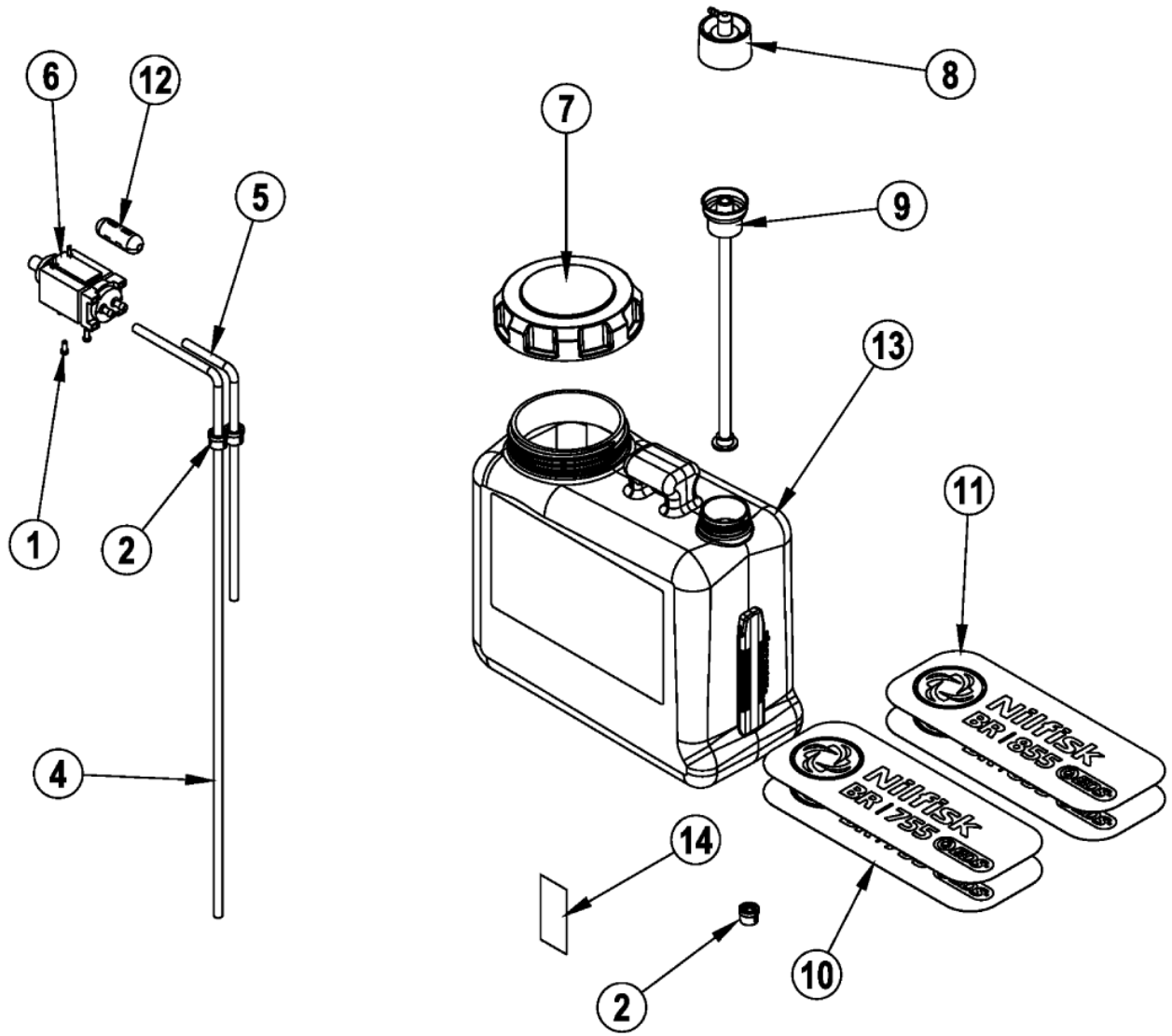
Pos.	Artikel-Nr.	Menge	Variante	Notes
	56382635	1	Grundlatte für Feder	
01	56002491	1	Stopmutter 1/4-20	
02	56002957	1	Schraube SS 1/4 - 20 X	
03	56382623	1	Federträger	
04	56382624	2	Federmutter	
05	56382637	1	Gewindestange	
06	56412216	2	Zugfeder	



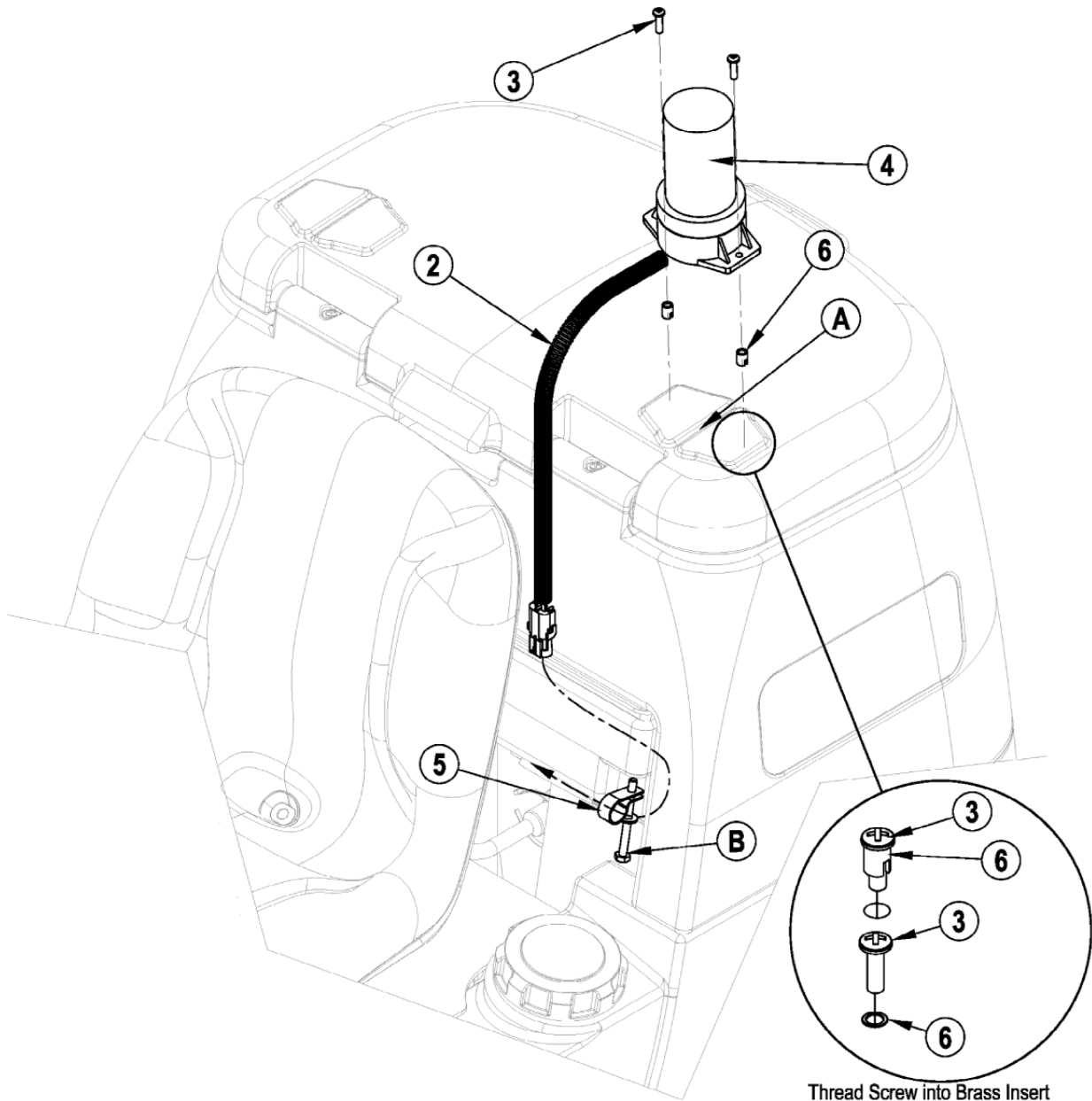
Pos.	Artikel-Nr.	Menge	Variante	Notes
	56601080	1	Einbauladegerät	[1]
1	56001854	4	SCHRAUBE HEX HD1/4-20X.50	
2	56009019	1	Schraube 1/4-20x.38	
3	56315124	1	Einbauladegerät 24V	
4	56157376	1	GROMMET 1 OD X 9/16 ID X 5/	
5	56601417	1	CHARGER MOUNT BRACKET	
6	56383388	1	Ladekabel	
7	56383389	1	CORD-CHARGER UK	
8	56001836	1	Schraube 1/4-20x0.62	
9	56172017	1	P-CLIP E00129	
10	56478246	1	CABLE TIE E00549 RE438BA	
11	56384755	1	VELCRO STRAP	

Part Notes:

[1] - IS56040990. On Board Charger Kit EU. PN-56601080

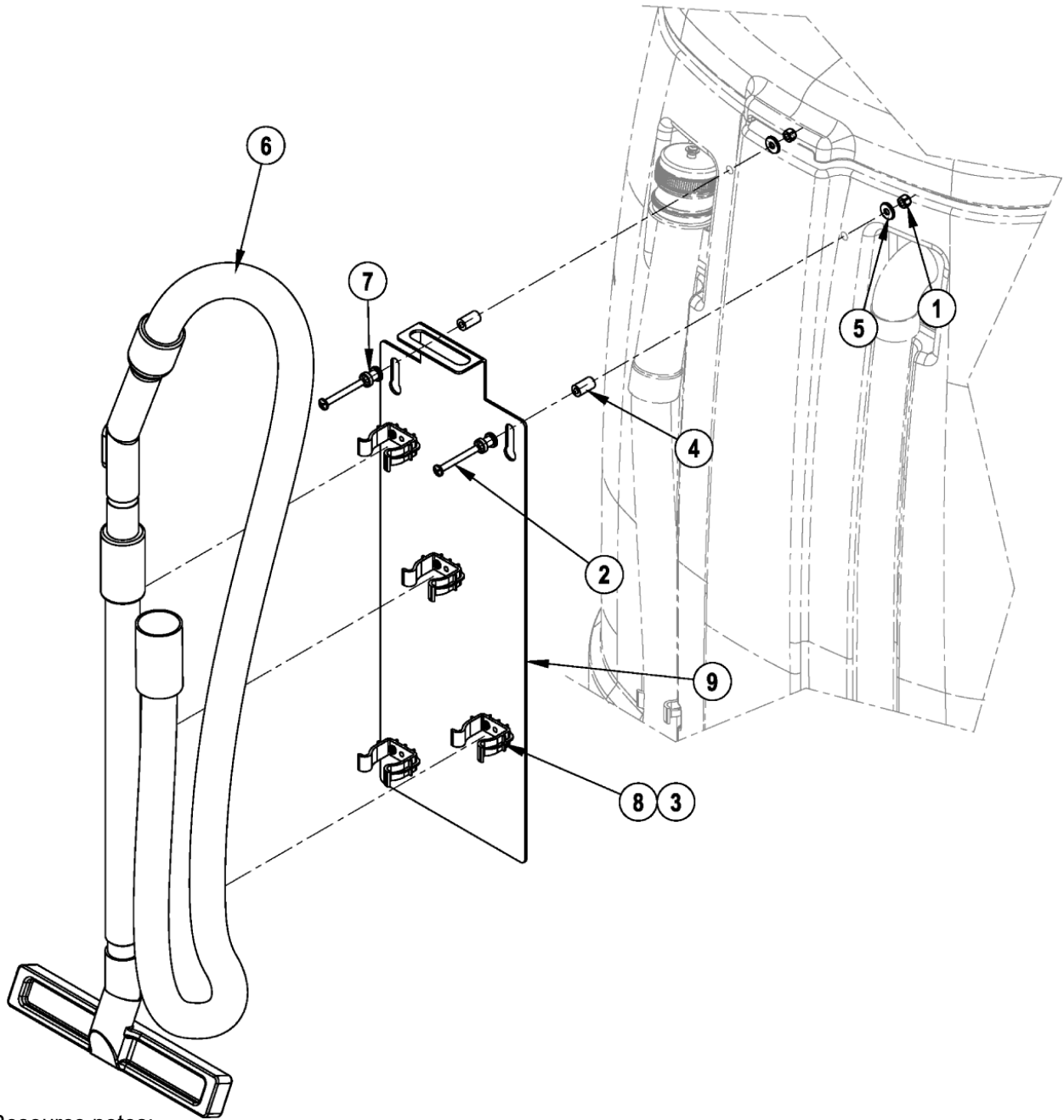


Pos.	Artikel-Nr.	Menge	Variante	Notes
	56601082	1	Ecoflex-Set	
01	56002539	2	SCR PAN PHIL TD FORM 6-32 X.31	
02	56003699	3	Ablaufschraube 1/4	
04	56314942	1	Schlauch	
05	56314991	1	Schlauch 14,	
06	56315241	1	EDS Pumpe	
07	9100001817	1	CAP PLASTIC F CHEMICAL TANK SIP	
08	56315523	1	Deckel EDS-Schwimmer	
09	56315527	1	Buchseneinsatz EDSzu BA 551	
10	56601306	2	Aufkleber - ECOFLEX	
11	56601308	2	Aufkleber	
12	56601514	1	FERRITE BEAD	
13	56601544	1	Tank für Ecoflex	
14	56016331	1	DECAL CHEMICAL RATIO	



Thread Screw into Brass Insert
and then thread the Insert into the
tank lid until flush. Remove the Screw.

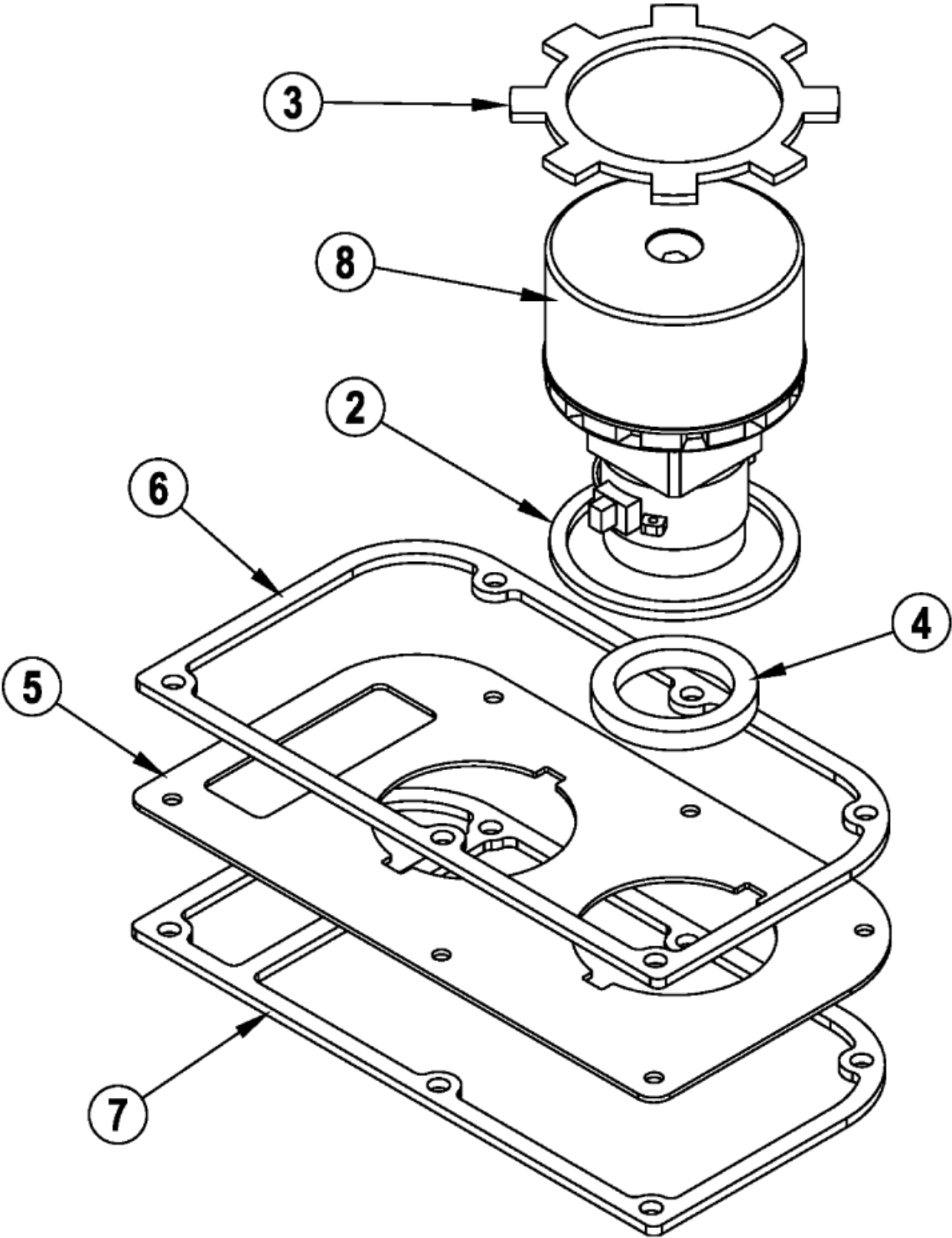
Pos.	Artikel-Nr.	Menge	Variante	Notes
	56601085	1	Blitzlampe	
02	56459883	1	CONDUIT	
03	56002896	2	Schraube SS10-24X0	
04	56307166	1	Rundumleuchte	
05	56486112	1	Kabelklammer	
06	56249946	2	INSERT BRASS FL150S	



Resource notes:

NOTE: Items (3, 8 & 9) are preassembled.

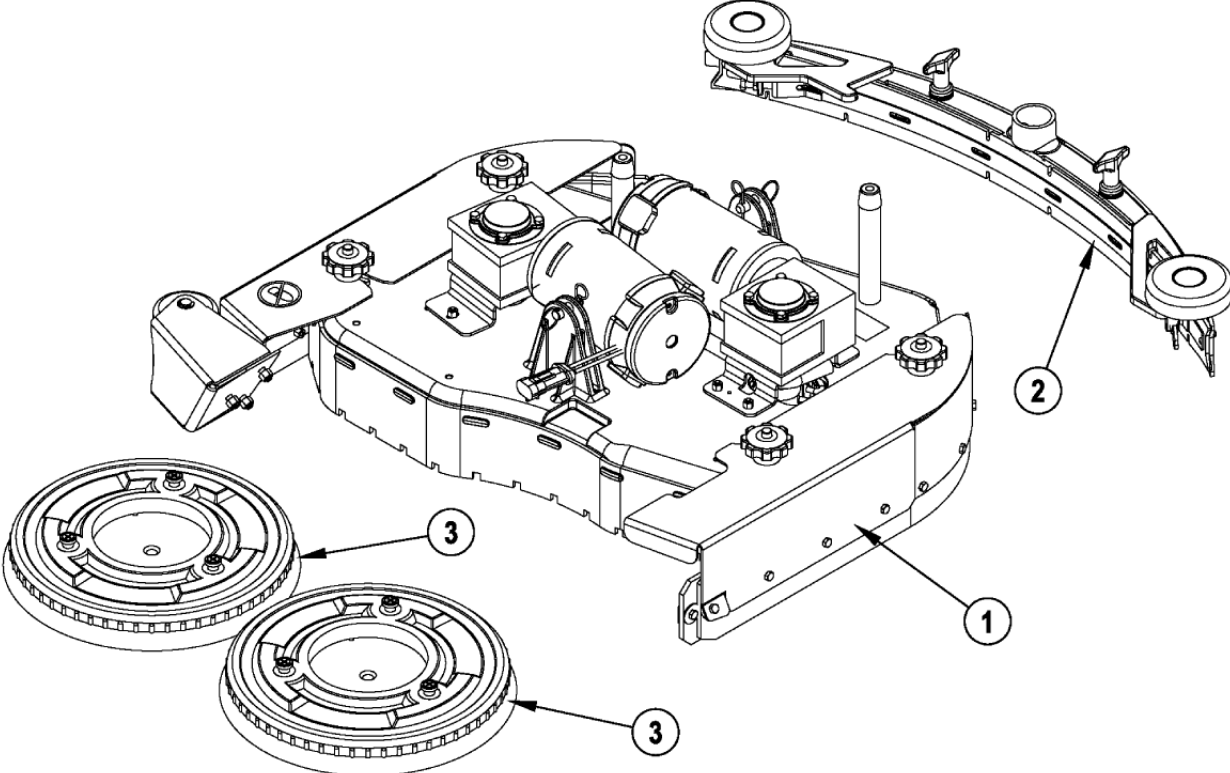
Pos.	Artikel-Nr.	Menge	Variante	Notes
	56601087	1	Handsaugset	
1	56002708	2	Stopmutter 1/4-20	
2	56002788	2	Schraube PAN PHIL 1/4-20x	
3	56009029	8	SCR PANPHIL THD FORM10-24	
4	56052237	2	SPACER PHEN .250X.500X.875	
5	56201047	2	WSH SEALINE SS 5/16	
6	56315309	1	SCRUB/VAC WAND HOSE	
7	56315311	2	SPACER STEPPED	
8	56407361	4	Plastikklammer zu BR 850	
9	56601458	1	BRACKET WAND KIT	



Pos.	Artikel-Nr.	Menge	Variante	Notes
0	56601090	1	Saugmotor	
2	56212143	2	GASKET VACUUM DUCT	
3	56264103	1	GASKET VAC MOTOR	
4	56314760	1	Dichtung	
5	56601122	1	PLATE VAC	
6	56601126	1	GASKET EXHAUST	
7	56601127	1	GASKET VAC	
8	56601488	1	Saugturbine	[1]

Part Notes:

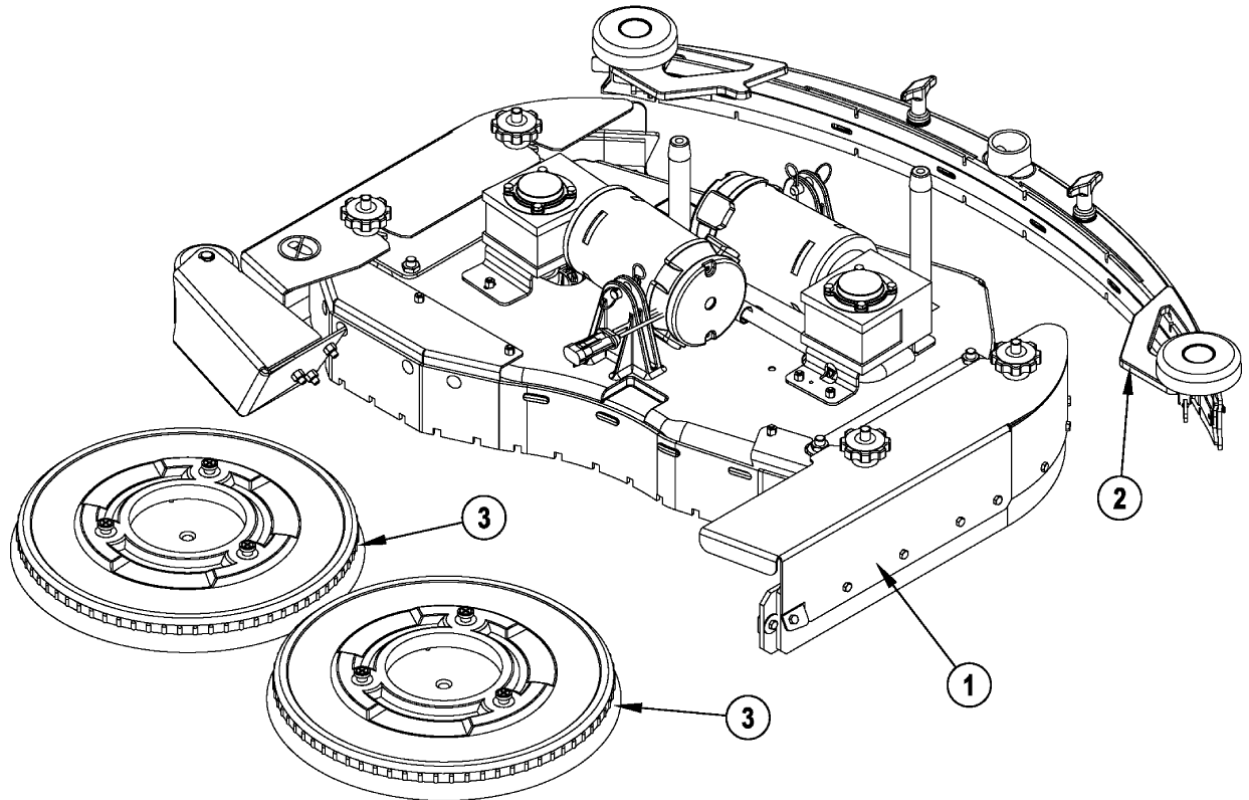
[1] - 56601090



Pos.	Artikel-Nr.	Menge	Variante	Notes
	56601700	1	Bürstendeck-Set 28"	[1]
01		1	28" DISK DECK SYSTEM - NOT AVAILABLE	[2]
02	56601449	1	Absaugleiste Kompl.	
03	56505800	2	Padhalter 14"	

Part Notes:

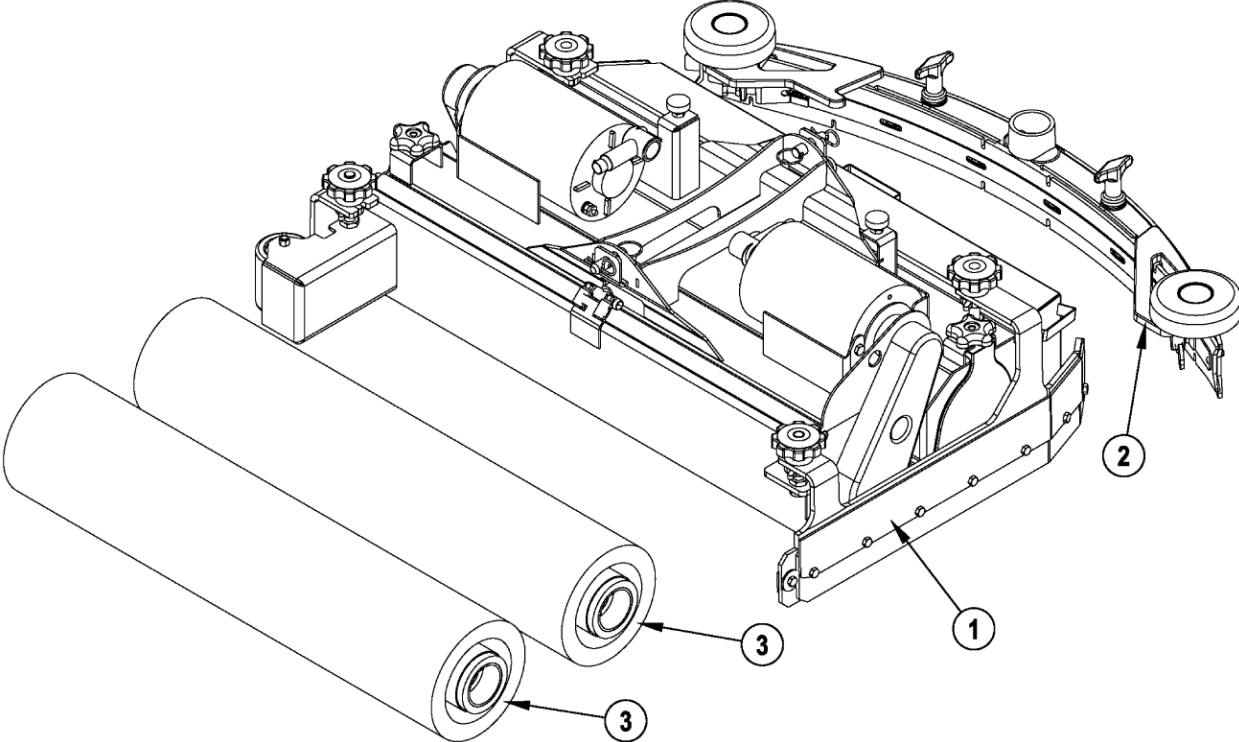
- [1] - EXPIRED ON 11/3/2021
- [2] - 28" DISK DECK SYSTEM - NOT AVAILABLE



Pos.	Artikel-Nr.	Menge	Variante	Notes
00	56601701	1	Bürstendeck-Set 34"	[1]
01		1	34" DISK DECK SYSTEM - NOT AVAILABLE	[2]
02	56601454	1	Absaugleiste	[3]
03	56505780	2	Padhalter 430 mm	

Part Notes:

- [1] - EXPIRED ON 8/10/2020
- [2] - 34" DISK DECK SYSTEM - NOT AVAILABLE
- [3] - 56601547



Pos.	Artikel-Nr.	Menge	Variante	Notes
00	56601756	1	Walzendeck 28"	
01		1	28" CYLINDRICAL DECK SYSTEM - NOT AVAILABLE	[1]
02	56601449	1	Absaugleiste Kompl.	
03	56412046	2	Bürstenwalze PP, rot	

Part Notes:

[1] - 28" CYLINDRICAL DECK SYSTEM - NOT AVAILABLE