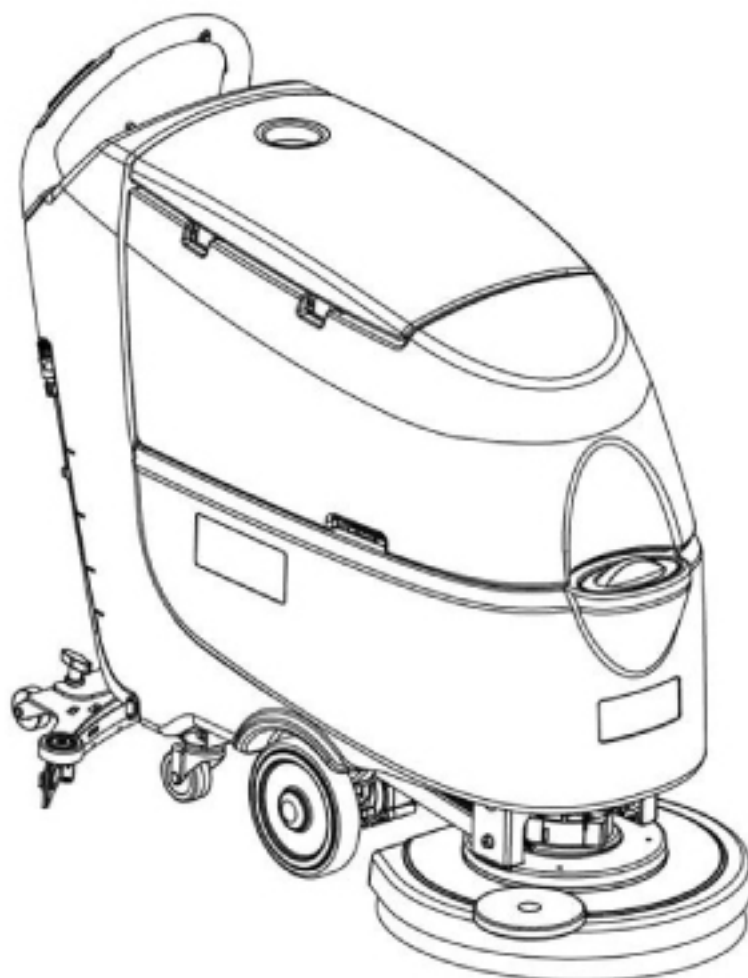


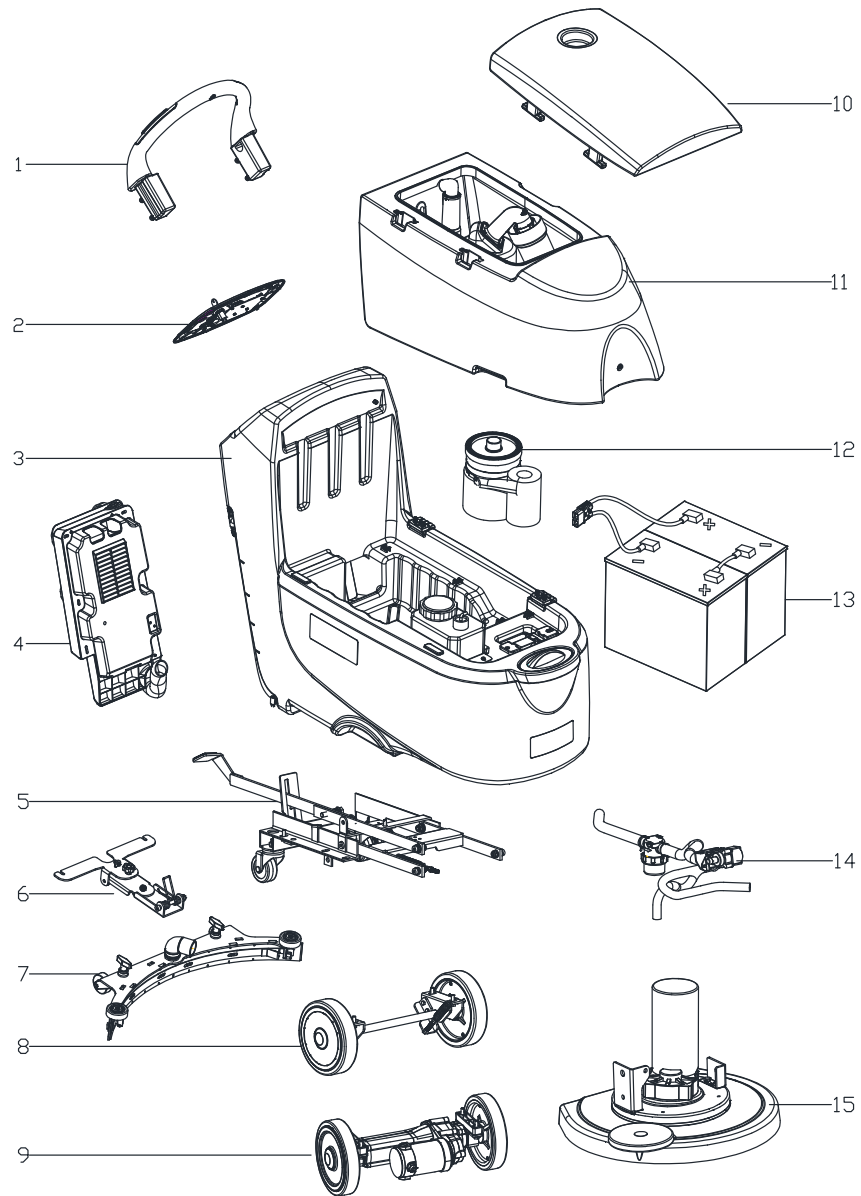
PARTS LIST



2020.12.11

TABLE OF CONTENTS

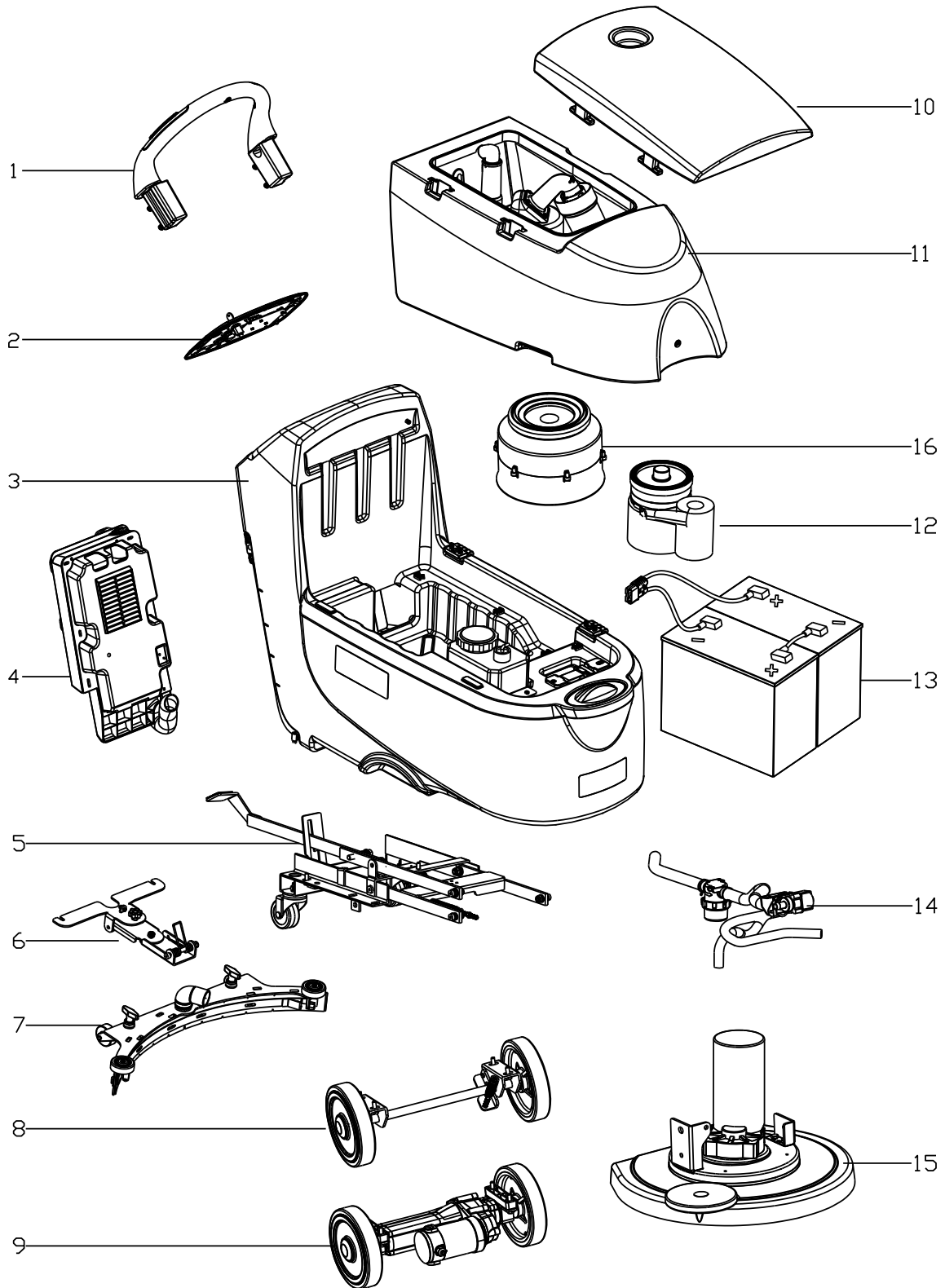
Overview	1
Overview Quiet	3
Solution tank	5
Recovery tank	7
Chassis	9
Recovery tank Quiet	11
Wheel without traction	13
Control and Electric system	15
Control and electric system Quiet	18
Chemical mixing	21
Solution system	23
Squeegee	25
Squeegee Quiet	27
Brush	29
Wiring diagram (without traction)	31



Pos.	Artikel-Nr.	Menge	Variante	Notes
1A		1	HANDLE BAR ASSEMBLY WITHOUT TRACTION	[1]
1B		1	HANDLE BAR ASSEMBLY WITH TRACTION	[1]
2		1	CONTROL PANEL ASSEMBLY	[2]
3		1	SOLUTION TANK ASSEMBLY	[3]
4		1	CONTROL BOX ASSEMBLY	[2]
5		1	CHASSIS ASSEMBLY	[4]
6		1	SQUEEGEE HOLDER ASSEMBLY	[5]
7		1	SQUEEGEE ASSEMBLY	[5]
8A		1	WHEEL ASSEMBY WITHOUT TRACTION	[6]
9B		1	WHEEL ASSEMBY WITH TRACTION	[7]
10		1	RECOVERY TANK LID ASSEMBLY	[8]
11		1	RECOVERY TANK ASSEMBLY	[8]
12		1	VACUUM MOTOR ASSEMBLY	[8]
13		1	BATTERIES	[3]
14		1	SOLUTION SYSTEM ASSEMBLY	[9]
15		1	BRUSH DECK ASSEMBLY	[10]

Part Notes:

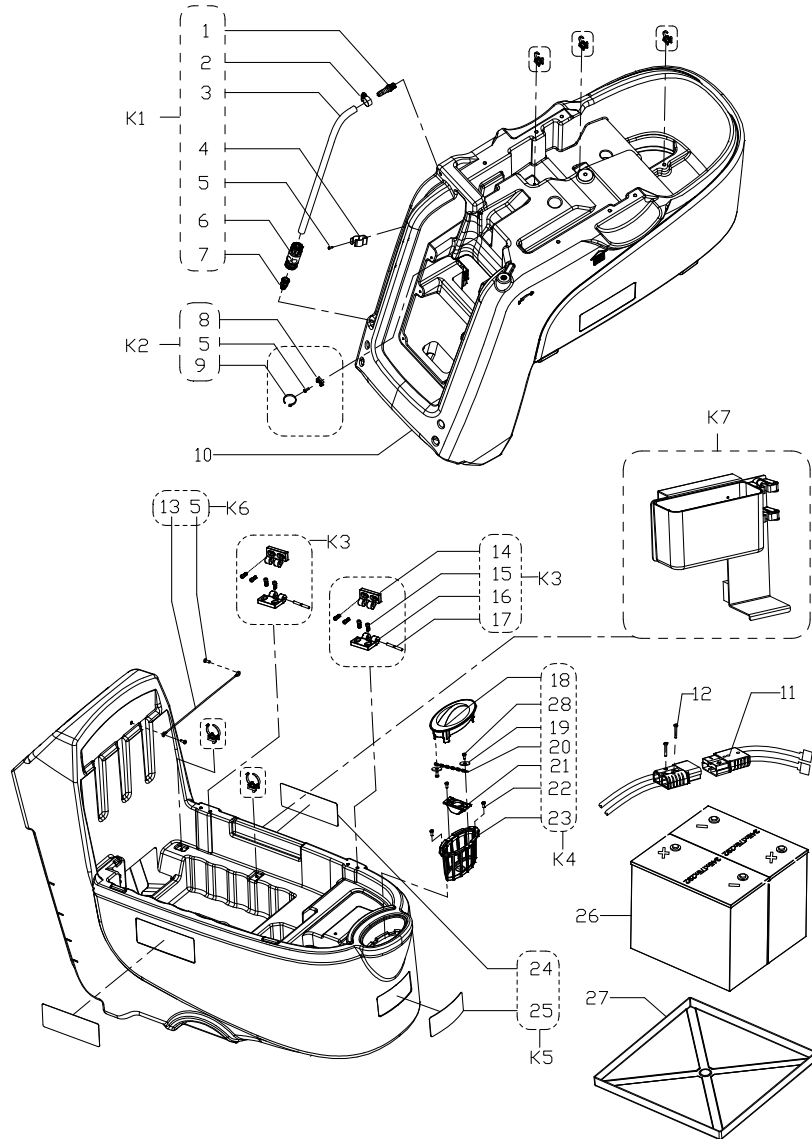
- [1] - Control and Electric system
- [2] - Control and Electric systemwith traction
Control and Electric systemwithout traction
- [3] - Solution tank
- [4] - Chassis
- [5] - Squeegee
- [6] - Wheel without traction
- [7] - Wheel with traction
- [8] - Recovery tank
- [9] - Solution system
- [10] - Brush



Pos.	Artikel-Nr.	Menge	Variante	Notes
			D ONLY FOR QUIET MACHINE WITH TRACTION	
			C ONLY FOR QUIET MACHINE WITHOUT TRACTION	
1 A/C		1	HANDLEBAR ASSEMBLY WITHOUT TRACTION	[1]
1 B/D		1	HANDLEBAR ASSEMBLY WITH TRACTION	[1]
2		1	CONTROL PANEL ASSEMBLY	[1]
3		1	SOLUTION TANK ASSEMBLY	[2]
4		1	CONTROL BOX ASSEMBLY	[1]
5		1	CHASSIS ASSEMBLY	[3]
6		1	SQUEEGEE HOLDER ASSEMBLY	[4]
7		1	SQUEEGEE ASSEMBLY	[4]
8 A/C		1	WHEEL ASSEMBY WITHOUT TRACTION	[5]
9 B/D		1	WHEEL ASSEMBY WITH TRACTION	[6]
10		1	RECOVERY TANK LID ASSEMBLY	[7]
11		1	RECOVERY TANK ASSEMBLY	[7]
13		1	BATTERIES	[2]
14		1	SOLUTION SYSTEM ASSEMBLY	[8]
15		1	BRUSH DECK ASSEMBLY	[9]
16 C/D		1	VACUUM MOTOR ASSEMBLY QUIET	[7]

Part Notes:

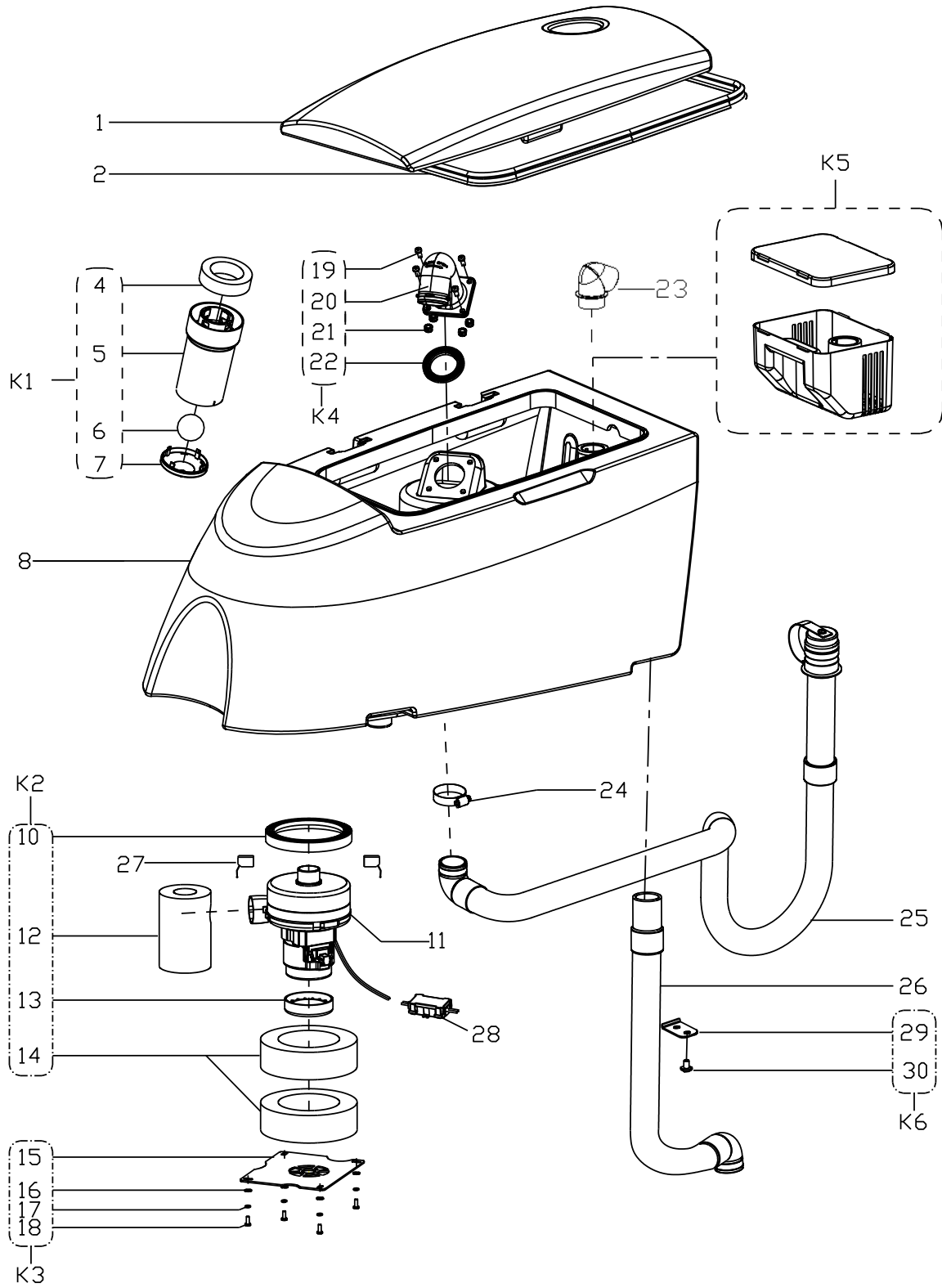
- [1] - Control and electric system Quiet
- [2] - Solution tank
- [3] - Chassis
- [4] - Squeegee Quiet
- [5] - Wheel without traction
- [6] - Wheel with traction
- [7] - Recovery tank Quiet
- [8] - Solution system
- [9] - Brush



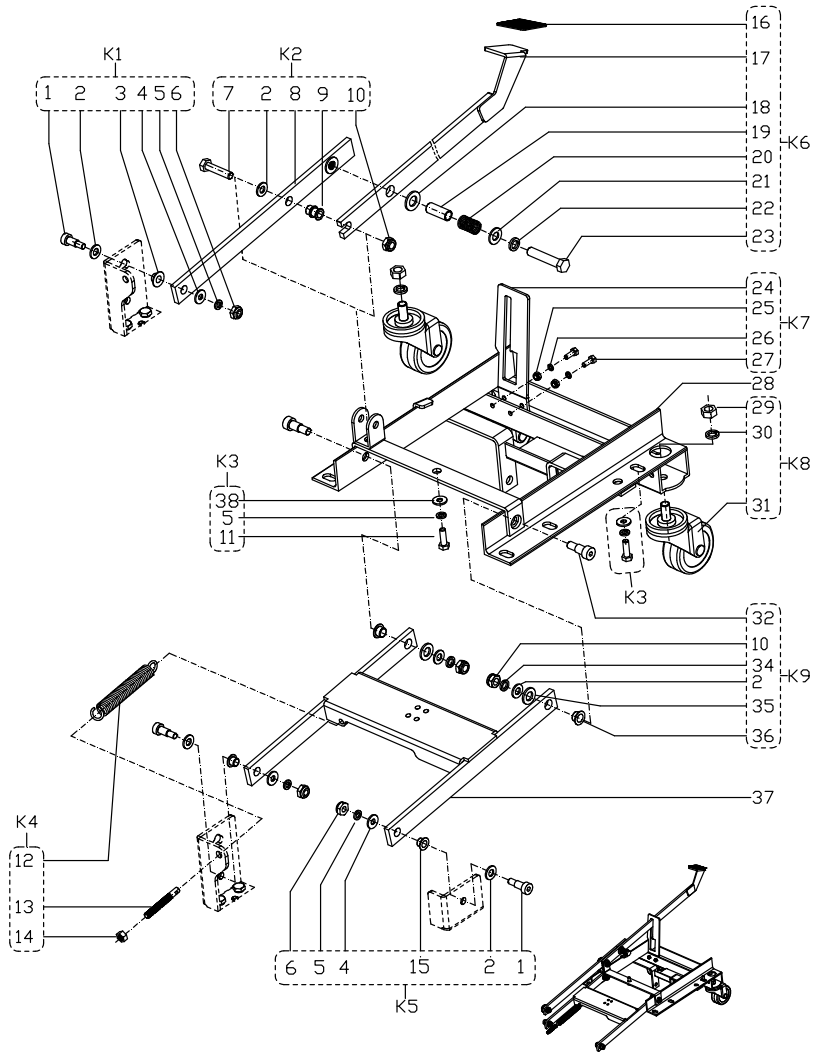
Pos.	Artikel-Nr.	Menge	Variante	Notes
1		1	K1	
2		1	K1	
3		1	K1	
4		1	K1	
5		4	K1/K2/K6	
6	VS13603	1	GARDEN COUPLING	
7		1	K1	
8		1	K2	
9		1	K2	
10	VS13301	1	SOLUTION TANK	
11	VS13223	1	BATTERY CONNECTIONS	
12		2	SCREW TM4X45	
13	VF85435	1	RECOVERY TANK CABLE	
14		2	K3	
15		8	K3	
16		2	K3	
17		2	K3	
18	VS10312A	1	FILTER COVER	
19		2	K4	
20		1	K4	
21		1	K4	
22		2	K4	
23	VS10313	1	FILTER SUPPORT	
24		2	K5	
25		1	K5	
26		2	BATTERIES	
27	VS10329	1	TRAY BATTERY	
28		3	K4	
K1	VS13701	1	WATER LEVEL PIPE KIT	
K2	VS13702	4	WIRE CLASPS KIT	
K3	VS13703	1	HINGE KIT	
K4	VS13704	1	FILTER COVER KIT	
K5	VS13705	1	DECAL SC530 NILFISK KIT	
K6	VF85007	1	TANK CABLE KIT	
K7	9100002280	1	Mophalter, Zubehörkorb	[1]

Part Notes:

[1] - Optional



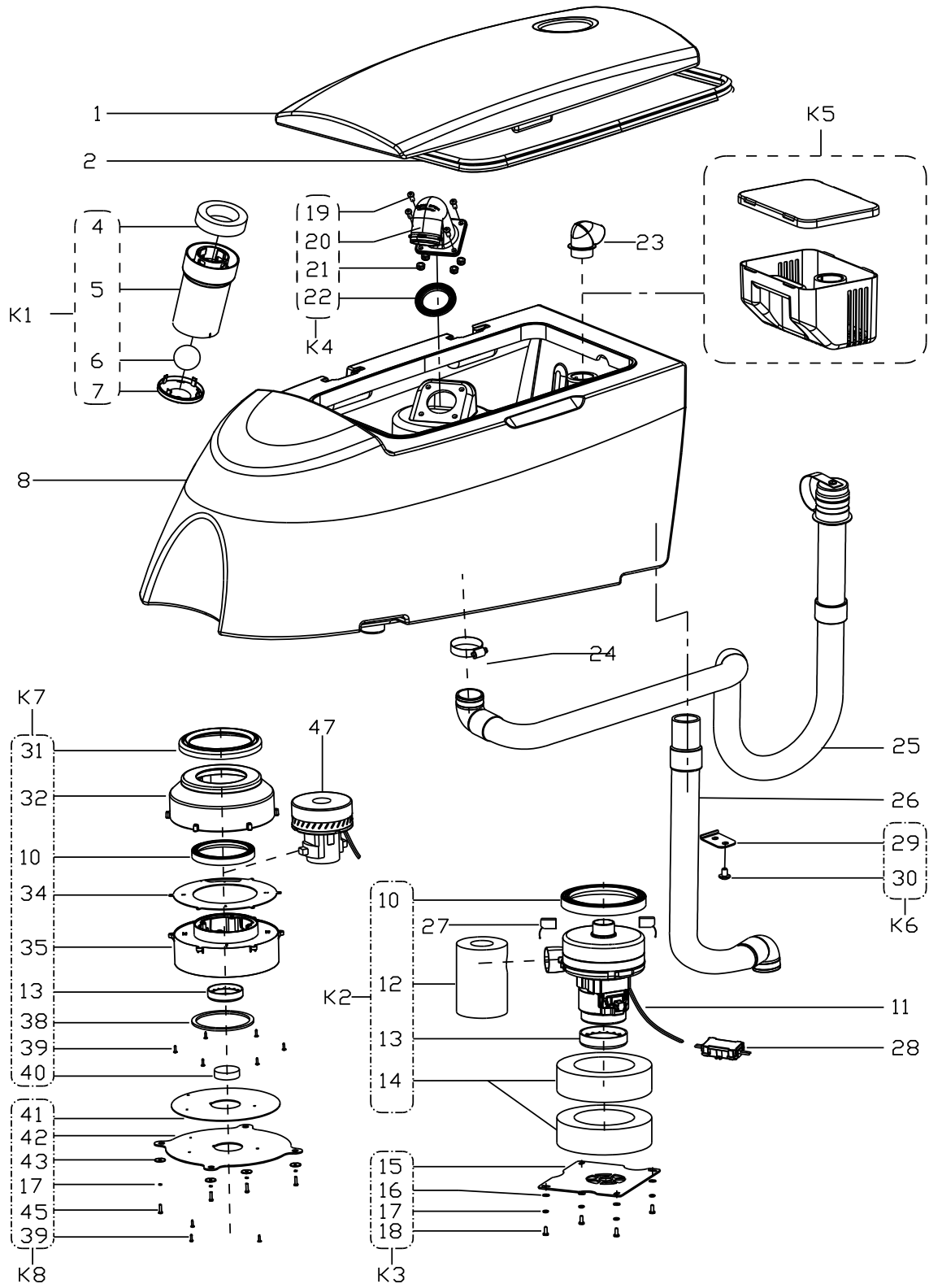
Pos.	Artikel-Nr.	Menge	Variante	Notes
1	VS13303A	1	RECOVERY TANK LID BLUE	
2	VS13607	1	GASKET	
4		1	K1	
5		1	K1	
6	30010021	1	FLOATING BALL	
7		1	K1	
8	VS13304A	1	RECOVERY TANK BLUE	
10		1	K2	
11	VF90520	1	VACUUM MOTOR	
12		1	K2	
13		1	K2	
14		2	K2	
15		1	K3	
16		4	K3	
17		4	K3	
18		5	K3	
19		4	K4	
20		1	K4	
21		4	K4	
22		1	K4	
23	VS13316	1	BEND TUBE	
24	VA20304	1	CLAMP	
25	VS13602	1	DRAIN HOSE	
26	VS10601	1	SUCTION HOSE	
27	VF90522	2	KOHLEBÜRSTE FÜR VAKUUMMOTOR	
28	VR27100	1	WATERPROOF CASE	
29		1	K6	
30		1	K6	
K1	VF90534	1	FLOAT KIT	
K2	VS10112	1	GASKET VACUUM MOTOR KIT	
K3	VS10113	1	VACUUM MOTOR COVER KIT	
K4	VS13720	1	ELBOW ADAPTOR KIT	
K5	9100000795	1	Schmutzfang-Set	
K6	VS13794	1	HOSE CLAMP KIT	



Pos.	Artikel-Nr.	Menge	Variante	Notes
1		3	K1/K5	
2		4	K1/K2/K5/K9	
3		1	K1	
4		3	K1/ K5	
5		5	K1/K3/K5	
6		2	K1/K5	
7		1	K2	
8		1	K2	
9		1	K2	
10		2	K2/K9	
11		3	K3	
12		1	K4	
13		1	K4	
14		1	K4	
15		1	K5	
16		1	K6	
17		1	K6	
18		1	K6	
19		1	K6	
20		1	K6	
21		1	K6	
22		1	K6	
23		1	K6	
24		1	K7	
25		2	K7	
26		2	K7	
27		2	K7	
28	VS10406	1	CHASSIS	
29		1	K8	
30		1	K8	
31	VS13623	1	3 INCH CASTER	[1]
32		1	K9	
34		1	K9	
35		1	K9	
36		1	K9	
37	VS10404	1	BRUSH LIFTING SUPPORT	
38		3	K3	
K1	VS10134	1	SCREW KIT 1	
K2	VS10138	1	FORNT PEDAL BRUSH LIFTING KIT	
K3	VS10135	1	SCREW KIT 2	
K4	VS10139	1	SPRING KIT	
K5	VS10136	2	SCREW KIT 3	
K6	VS10140	1	BACK PEDAL BRUSH LIFTING KIT	
K7	VS10141	1	PEDAL SUPPORT KIT	
K8	VS13757	2	3 INCH CASTER KIT	
K9	VS10137	2	SCREW KIT 4	

Part Notes:

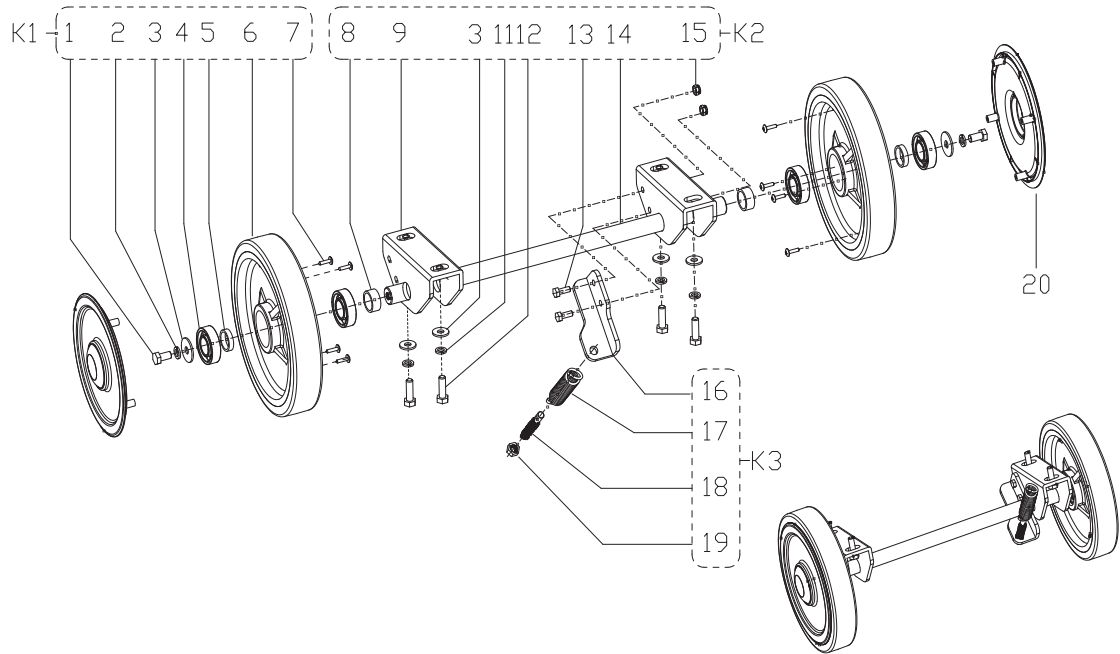
- [1] - TSB-FC-2019-026 castor wheel SC530
DE TSB-FC-2019-026 SC530 Lenkrolle



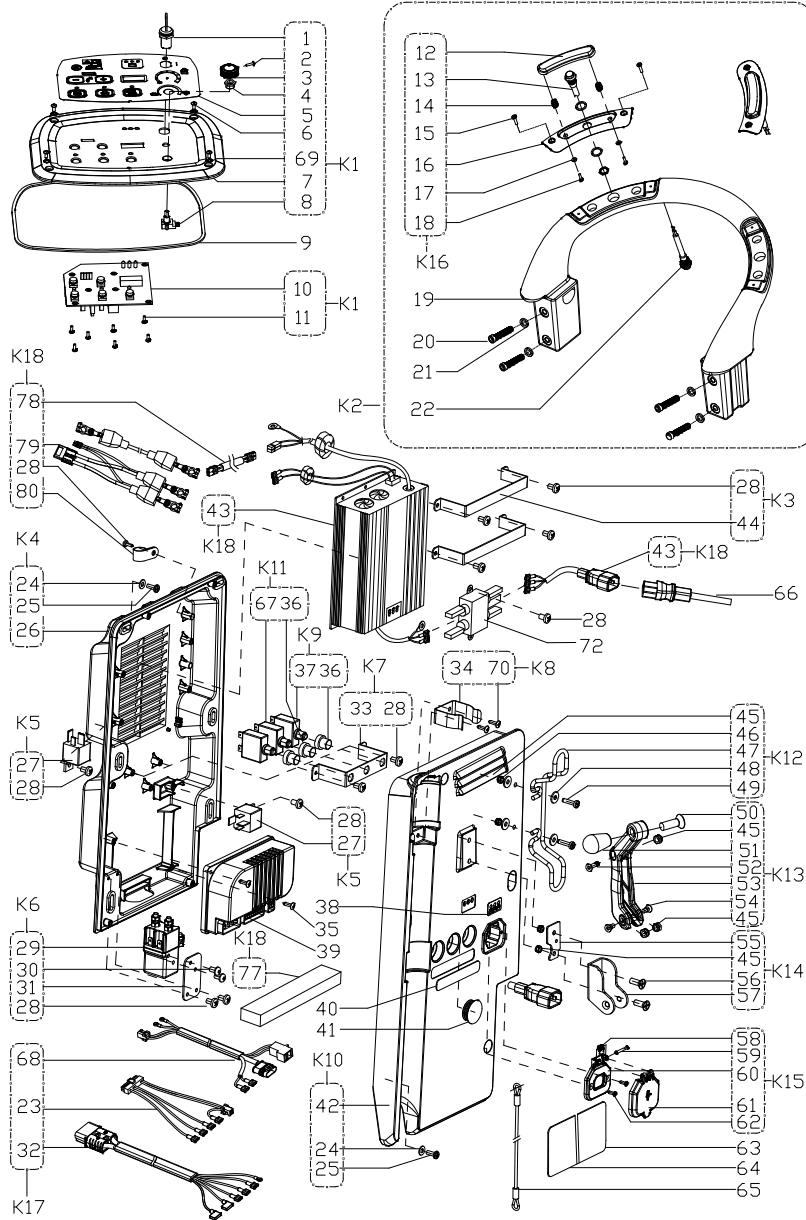
Pos.	Artikel-Nr.	Menge	Variante	Notes
1	VS13303	1	RECOVERY TANK LID	
2	VS14601	1	GASKET SIR	
4		1	K1	
5		1	K1	
6	30010021	1	FLOATING BALLK1	
7		1	K1	
8 A/B	VS13304	1	RECOVERY TANK	[1]
8 C/D	VS13336	1	RECOVERY TANK QUIET	
10	VF90523	1	TOP GASKET OF VACUUM MOTORK2/K7	
11 A/B	VF90520	1	VACUUM MOTOR	[1]
12		1	K2	[1]
13	VA80770	1	GASKETK2/K7	
14		2	K2	[1]
15 A/B		1		[1]
16 A/B		4	K3	[1]
17		4	K3/K8	
18 A/B		5	K3	[1]
19		4	K4	
20		1	K4	
21		4	K4	
22		1	K4	
23	VS13316	1	BEND TUBE	
24	VA20304	1	CLAMP	
25*	VS13602	1	DRAIN HOSE	
25*	VS13628	1	DRAIN HOSE PU	
26*	VS10601	1	SUCTION HOSE	
26*	VS13627	1	SUCTION HOSE PU	
27 A/B	VF90522	2	KOHLEBÜRSTE FÜR VAKUUMMOTOR	[1]
28 A/B	VR27100	1	WATERPROOF CASE	[1]
29		1	K6	
30		1	K6	
31 C/D	VS13634	1	GASKETK7	
32 C/D	VS13333	1	ANECHOIC ROOM COVERK7	
34 C/D		1	K7	
35 C/D	VS13334	1	ANECHOIC ROOM BASEK7	
38 C/D		1	K7	
39 C/D		9	K7/K8	
40 C/D		1	K7	
41 C/D		1	K8	
42 C/D		1	K8	
43 C/D		4	K8	
45 C/D		4	K8	
47	ZD98003	1		
K1	VF90534	1	FLOAT KIT	
K2	VS10112	1	GASKET VACUUM MOTOR KIT	[1]
K3	VS10113	1	VACUUM MOTOR COVER KIT	[1]
K4	VS13720	1	ELBOW ADAPTOR KIT	
K5*	9100000795	1	Schmutzfang-Set	
K6	VS13794	1	HOSE CLAMP KIT	
K7	VS13800	1	GASKET VACUUM MOTOR KIT	
K8	VS13801	1	VACUUM MOTOR COVER KIT	

Part Notes:

[1] - Not Quiet



Pos.	Artikel-Nr.	Menge	Variante	Notes
1		2	K1	
2		2	K1	
3		8	K1/K2	
4	VF14075	2	BEARING 6004 2RS	
5		1	K1	
6		1	K1	
7		8	K1	
8		2	K2	
9		2	K2	
11		6	K2	
12		4	K2	
13		2	K2	
14		1	K2	
15		2	K2	
16		1	K3	
17		1	K3	
18		1	K3	
19		1	K3	
20	VS13314	2	WHEEL COVER	
K1	VS13709	2	8 INCH WHEEL WITHOUT TRACTION KIT	
K2	VS10144	1	WHEEL SHAFT FIXED PLATE KIT	
K3	VS10145	1	SPRING KIT	

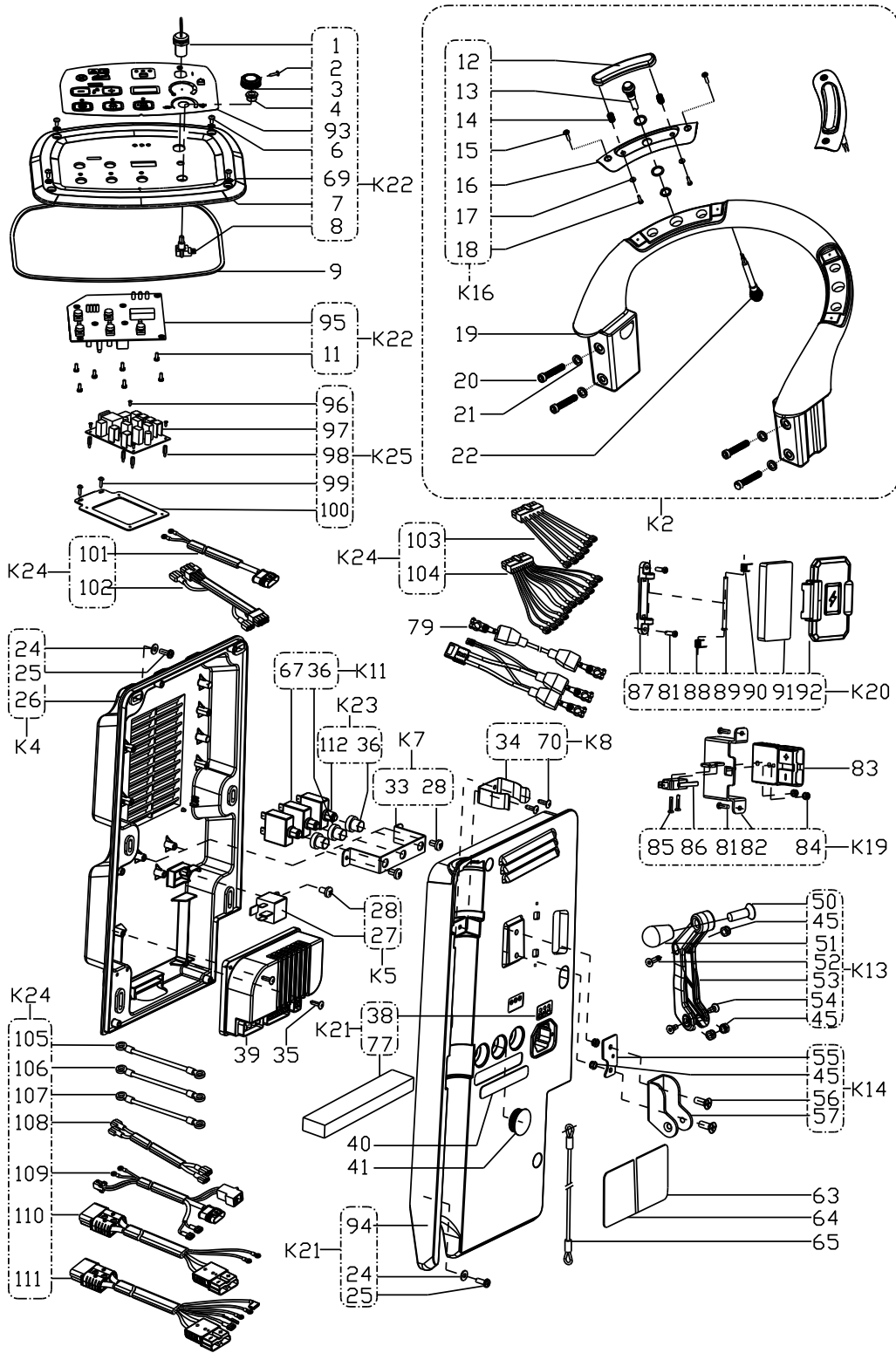


Pos.	Artikel-Nr.	Menge	Variante	Notes
1	9100001354	1	Schlüsselschalter komplett	
5	VS13002	1	CONTROL PANEL DECAL WITHOUT TRACTION	[1]
6		4	K1	
7	VS13305	1	CONTROL PANEL	
9	VS13604	1	EVA GASKET	
10	VS13201	1	CONTROL PANEL BOARD	
11		7	K1	
12		1	K16	
13	VS10202	1	SWITCH	[2]
14		2	K16	
15		2	K16	
16		1	K16	
17		2	K16	
18		2	K16	
19	VS13302	1	HANDLEBAR WITHOUT TRACTION	[1]
20		4	K2	
21		4	K2	
23	VS10218	1	HARNES CONTROL CIRCUIT WITHOUT TRACTION	[3]
24		10	K4/K10	
25		10	K4/K10	
26		1	K4	
27	VS10201	1	RELAY 24V	
28	VF13544	9	SCREW ST4x10	[4]
29	909 5127 000	1	Relais 24 V	
30		2	K6	
31		1	K6	
32	VS13206	1	WIRE HARNES WITHOUT TRACTION	[3]
33		1	K7	
34		1	K8	
35		4	K8	
36		1	K9	
37	ZD48320	1	SCHUTZSCHALTER 30A	[5]
38		1	LABEL BATTERY LEVEL	
40		1	RESET LABEL WITHOUT TRACTION	[1]
41		1	CAP BLACK	
42		1	K10	
43	VS10265	1	24V 13A CHARGER KIT AGM	
44		2	K3	
45		5	K12/K13/K14	
46		2	K12	
47		1	K12	
48		2	K12	
49		2	K12	
50		1	K13	
51		1	K13	
52		1	K13	
53		1	K13	
54		2	K13	
55		1	K14	
56		2	K14	
57		1	K14	
58		1	K15	
59		1	K15	
60		1	K15	
61		1	K15	
62		2	K15	
63		1	WARNING LABEL	
64		1	SERIAL NUMBER LABEL	[1]
65	VS13503	1	CABLE SQUEEGEE LIFT	

Pos.	Artikel-Nr.	Menge	Variante	Notes
66	VF89725	1	LADEGERÄT NETZKABEL EU-STECKER	[6]
66	VF89726	1	CHARGER POWER CABLE UK PLUG	[6]
68		1	K17	
69		4	K1	
70		2	K8	
72	VS13220	1	ELECTRONIC FILTER	
77		1	K18	
78		1	K18	
79		1	K18	
80		1	K18	
K1	VS13706	1	CONTROL PANEL KIT WITHOUT TRACTION	[1]
K2	VS13707	1	HANDLE KIT WITHOUT TRACTION	[1]
K3	VS10125	1	CHARGER FIX BRACKET KIT	
K4	VS10121	1	CONTROL BOX BOTTOM KIT	
K5	VS10230	1	RELAY 24V KIT	[1]
K6	VS10231	1	ELECTROMAGNETIC SWITCH KIT	
K7	VS10122	1	FIX BRACKET KIT	
K8	VF90275	1	CLAMP DRAIN HOSE KIT	
K9	VS10232	2	CIRCUIT BREAKER KIT	
K10	VS13719	1	CONTROL BOX COVER KIT	
K12	VF90280	1	CORD WRAP KIT	
K13	VS13718	1	LEVER SQUEEGEE LIFTING KIT	
K14	VF90276	1	HAND BRACKET KIT	
K15	VS10126	1	CHARGER SOKET KIT	
K16	VS13708	2	SWITCH HANDLE ASSY	[7]
K17	VS13721	1	WIRE HARNESS KIT WITHOUT TRACTION	[1]
K18	VS13750	1	OBC CHARGE KIT FOR EU	

Part Notes:

- [1] - ONLY FOR MACHINE WITHOUT TRACTION
- [2] - TSB-FC-2019-038 drive switch SC530
- [3] - ONLY FOR MACHINE WITHOUT TRACTION
K17
- [4] - K3//K5/K6/K7
- [5] - TSB-FC-2019-025 brush circuit breaker
- [6] - Optional
- [7] - K2
TSB-FC-2019-038 drive switch SC530



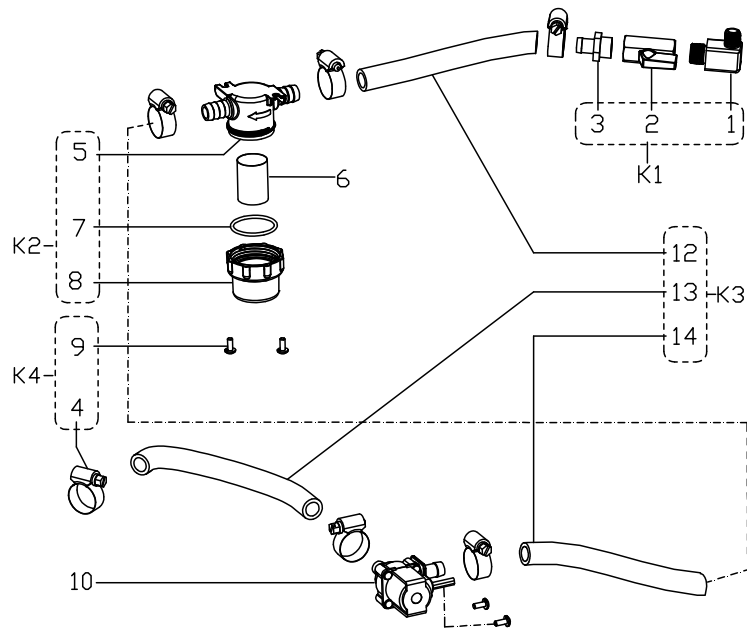
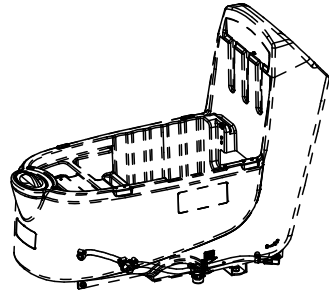
Pos.	Artikel-Nr.	Menge	Variante	Notes
1	9100001354	1	Schlüsselschalter komplettK22	
2		1	K22	
3 B/D	VS10315	1	AJUST SPEED KNOBK22	
4 B/D		1	K22	
6		4	K22	
7	VS13305	1	CONTROL PANELK22	
8 B/D	VS10213	1	POTENTIOMETERK22	
9	VS13604	1	EVA GASKET	
11		7	K22	
12		1	K16	
13	VS10202	1	SWITCHK16	
14		2	K16	
15		2	K16	
16		1	K16	
17		2	K16	
18		2	K16	
19 A/C	VS13302	1	HANDLEBAR WITHOUT TRACTIONK2	
19 B/D	VS13309	1	HANDLEBAR WITH TRACTIONK2	
20		4	K2	
21		4	K2	
22 B/D	VS10202	1	SWITCHK2	
24		10	K4/K21	
25		10	K4/K21	
26		1	K4	
27	VS10201	1	RELAY 24VK5	
28		9	K5/K7	
33		1	K7	
34		1	K8	
35		4	Screw 3.5x16	
36		1	K11/K23	
38		1	K21	
39 B/D	VS10209	1	ELECTRONIC BOARD TRACTION SYSTEM	
40 C		1	RESET LABEL WITHOUT TRACTION	
40 D		1	RESET LABEL WITH TRACTION	
41		1	Cap black	
45		5	K13/K14	
50		1	K13	
51		1	K13	
52		1	K13	
53		1	K13	
54		2	K13	
55		1	K14	
56		2	K14	
57		1	K14	
63		1	Warning label	
64		1	SERIAL NUMBER LABEL	
65	VS13503	1	CABLE SQUEEGEE LIFT	
67 B	VF99012	2	Schutzschalter 12AK11	
69		4	K22	
70		2	K8	
77		1	K21	
79		1	Extension wire	
81		4	K19/K20	
82 C/D	VS13442	1	BRACKET CHARGER PLUGK19	
83 C/D	VR27007	1	SB120 BATTERY CONNECTOR	
84		2	K19	
85		2	K19	
86 C/D	VR12005	1	MICRO SWITCHK19	
87 C/D	VS14311	1	K20	

Pos.	Artikel-Nr.	Menge	Variante	Notes
88		1	K20	
89		1	K20	
90		1	K20	
91		1	K20	
92 C/D	VS14312	1	K20	
93 C	VS13648	1	DECAL CONTROL PANEL WITHOUT TRACTIONK22A	
93 D	VS13649	1	DECAL CONTROL PANEL WITH TRACTIONK22B	
94 C/D		1	K21	
95 C/D	VS13235	1	CONTROL PANELK22	
96		4	K25	
97 C/D	VS13236	1	VACUUM OUTPUT BOARDK25	
98		4	K25	
99		2	K25	
100 C/D	VS13438	1	K25	
101 C/D	VS13269	1	HARNES VACUUM CABLEK24	
102 C/D	VS13264	1	K24	
103C	VS13271	1	HARNES MAIN LINE WITHOUT TRACTIONK24	
104D	VS13272	1	HARNES MAIN LINE WITH TRACTIONK24	
105 C/D	VS13267	1	K24	
106 C/D	VS13265	2	K24	
107 C/D	VS13266	1	K24	
108 C/D	VS13268	1	K24	
109 C/D	VS13273	1	HARNES MOTOR CABLEK24	
110 C	VS13274	1	HARNES 24V INPUT WITHOUT TRACTIONK24	
111 D	VS13275	1	HARNES 24V INPUT WITH TRACTIONK24	
112 D	ZD48325	2	CIRCUIT BREAKER 30AK23	
K2 A/C	VS13707	1	HANDLE KIT WITHOUT TRACTION	
K2 B/D	VS13715	1	HANDLE KIT WITH TRACTION	
K4	VS10121	1	CONTROL BOX BOTTOM KIT	
K5 A/C	VS10230	1	RELAY 24V KIT	
K5 B/D	VS10230	2	RELAY 24V KIT	
K7	VS10122	1	FIX BRACKET KIT	
K8	VF90275	1	CLAMP DRAIN HOSE KIT	
K11 B/D	VS11201	1	CIRCUIT BREAKER KIT WITH TRACTION	
K13	VS13718	1	LEVER SQUEEGEE LIFTING KIT	
K14	VF90276	1	HAND BRACKET KIT	
K16	VS13708	2	SWITCH HANDLE ASSYK2	
K19 C/D	VS13802	1	POWER CORD BRACKET	
K20 C/D	VS13803	1	SOCKET KIT	
K21 C/D	VS13804	1	CONTROL BOX COVER KIT	
K22 C	VS13805	1	CONTROL PANEL KIT WITHOUT TRACTION	
K22 D	VS13806	1	CONTROL PANEL KIT WITH TRACTION	
K23 D	VS13807	2	CIRCUIT BREAKER KIT	
K24 C	VS13808	1	HARNES KIT WITHOUT TRACTION	
K24 D	VS13809	1	HARNES KIT WITH TRACTION	
K25 C/D	VS13810	1	VACUUM PCB KIT	

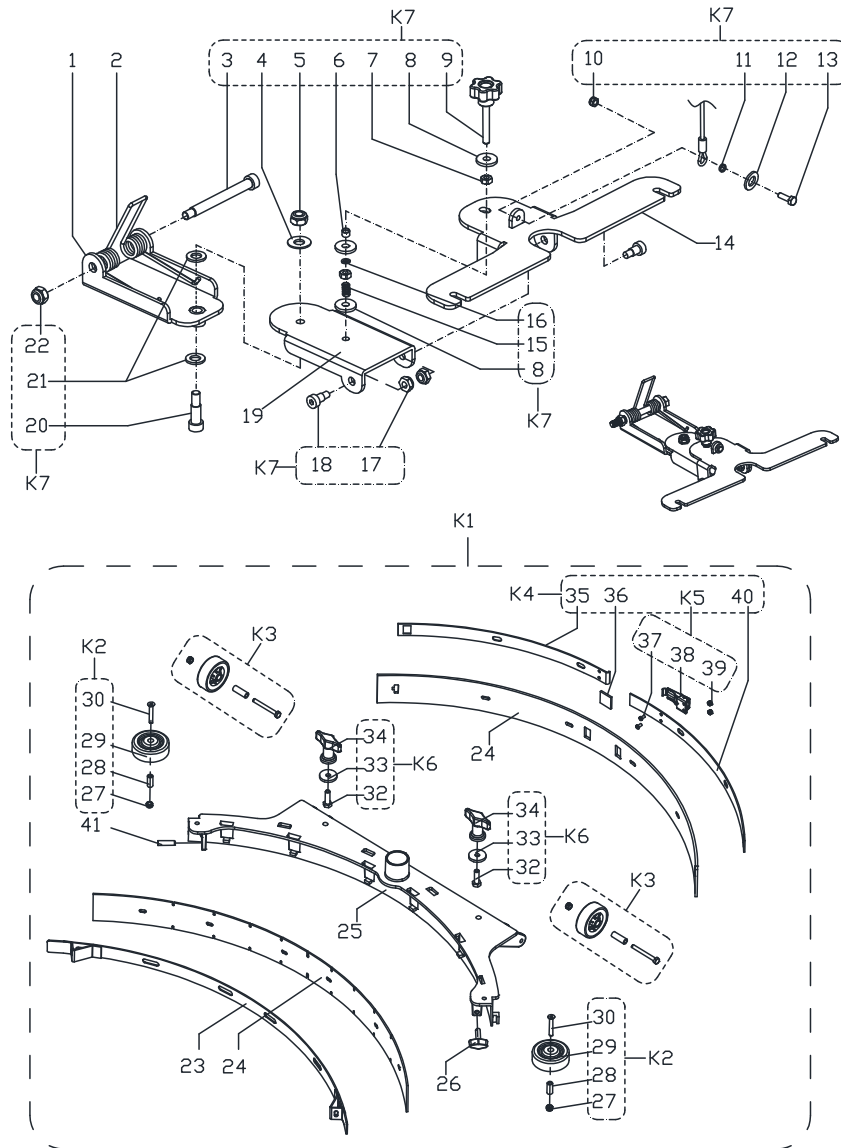
Pos.	Artikel-Nr.	Menge	Variante	Notes
		1	Assembly instruction Chemical mixing	[1]
3		1	SYPHON HOSE VALVE(SEE ADAPTER CAP ASSY)	
4	9097175000	1	HOSES CHEMICAL MIX KIT	
6	9097030000	1	Wegeventil	
10		1	ADAPTER(SEE ADAPTER CAP ASSY)	
16		1	CAP DRY BREAK(SEE ADAPTER CAP ASSY)	
18	145 4719 000	1	Drehknopf zuPotentiometer	
21	909 6076 000	1	Potentiometer BR 601	
22	909 6092 000	1	T- Stück	
23	909 6090 000	1	GUMMI-ANSCHLUSS D.6-DA	
28	9097041000	1	HARNESS DETERGENT SOLUTION PUMP	
29	53721A	1	Chemiepumpe	
30	61772A	1	BRACKET CHEMICAL PUMP	
31	9097084000	1	BRACKET PUMP SUPPORT	
32	56104190	1	Ecoflex-Behälter 5 Liter	
K1	9100002963	1	KIT REINIGUNGSMITTELLÖSUNGSSYSTEM	[2]
K2	9098025000	1	Reduzierstück f.	

Part Notes:

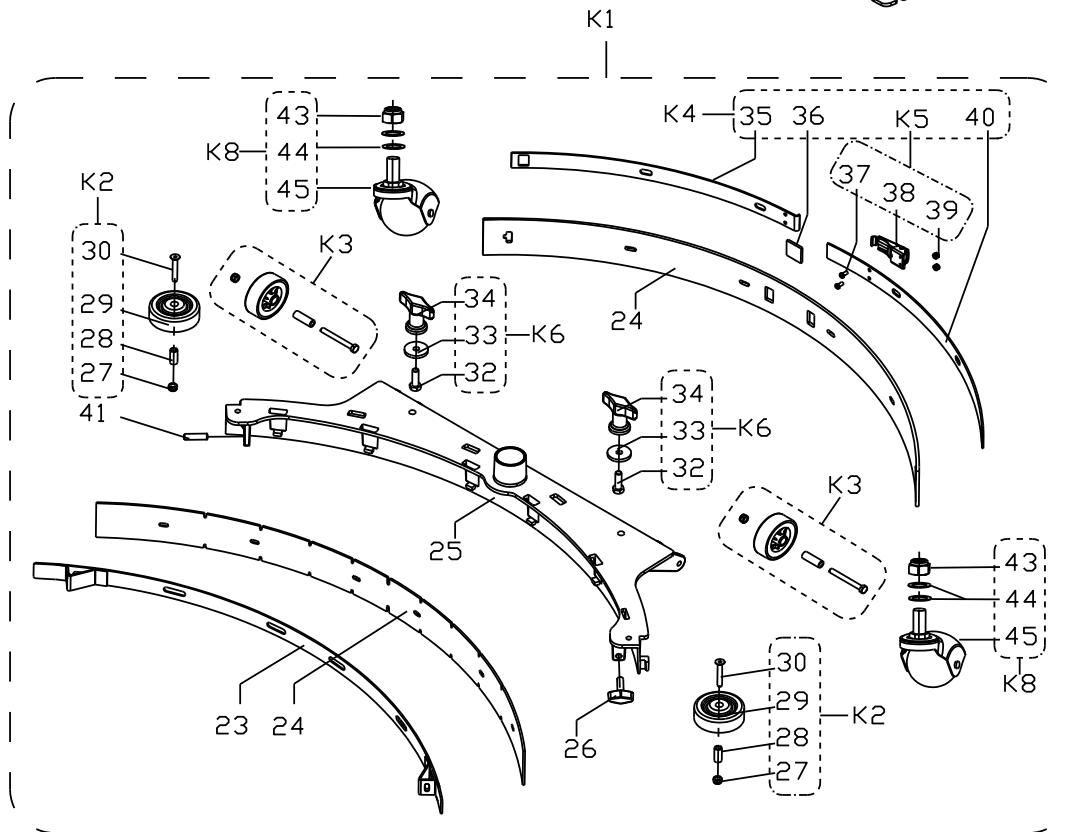
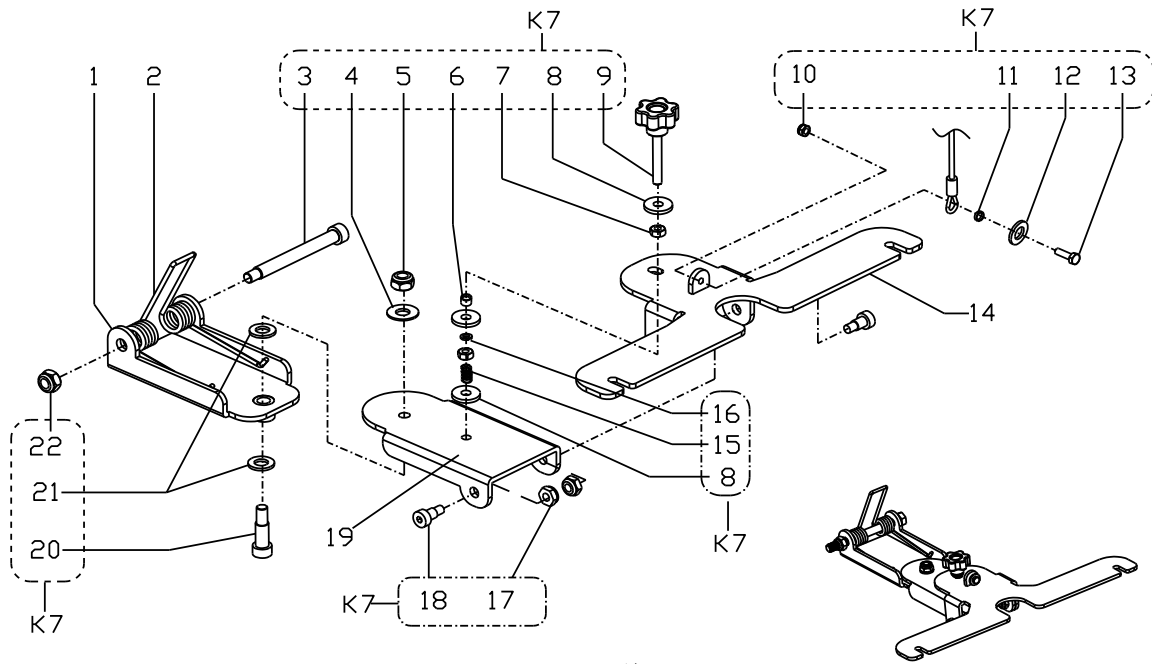
- [1] - Instruction Install KIT 9100002963
For old Chemical mxing system use 9097159000. Chemical mixing system PN. 9097160000
- [2] - Instruction Install KIT 9100002963
For old Chemical mixing system use 9097159000. Chemical mixing system PN. 9097160000



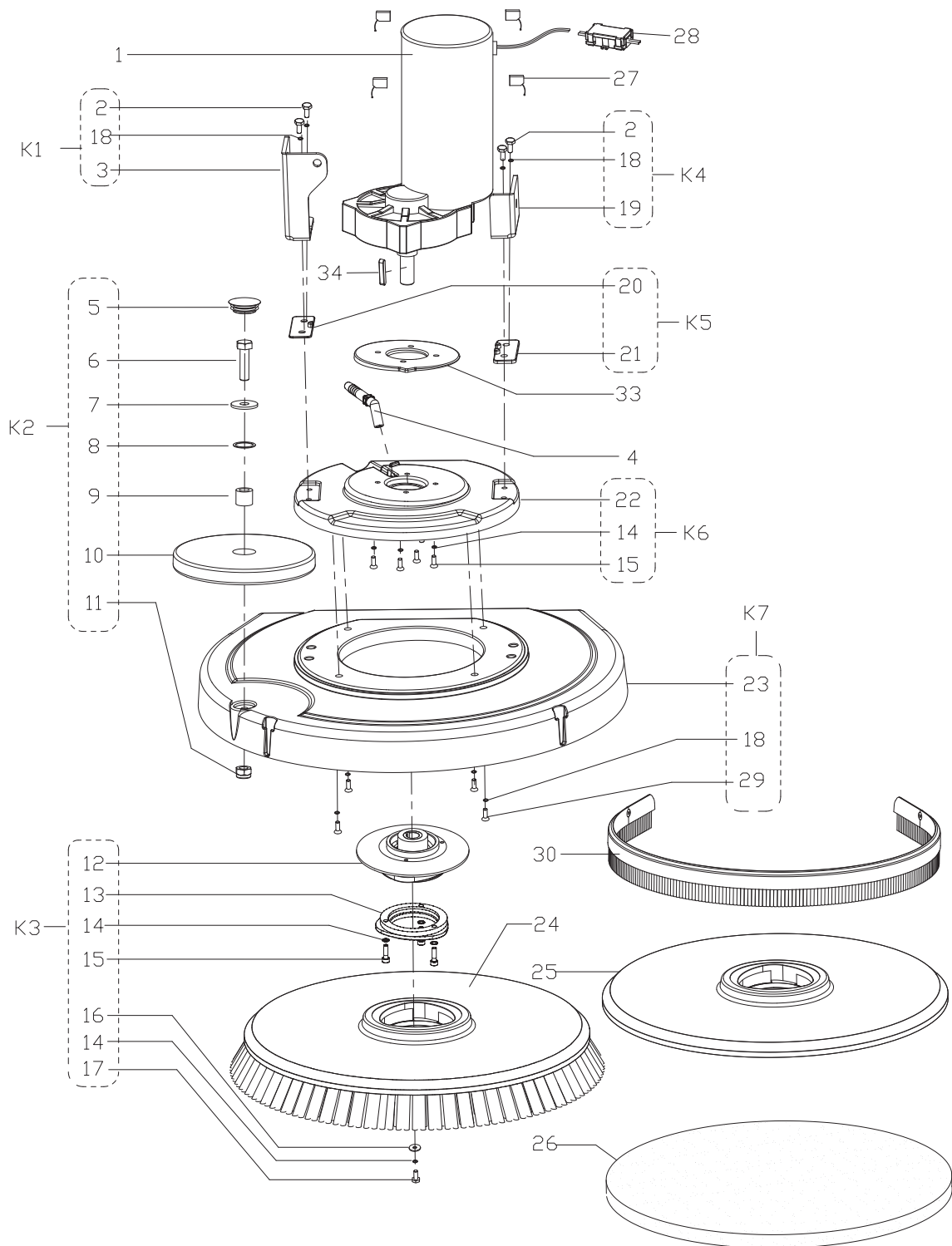
Pos.	Artikel-Nr.	Menge	Variante	Notes
1		1	K1	
2		1	K1	
3		1	K1	
4		6	K4	
5		1	K2	
6	VF90608	1	FILTER NET	
7		1	K2	
8		1	K2	
9		4	K4	
10	VF90282	1	Magnetventil für AS430/510B+C	
12		1	K3	
13		1	K3	
14		1	K3	
K1	VF91064	1	BALL VALVE KIT	
K2	VF90621	1	FILTER KIT	
K3	VS10149	1	TUBE KIT 750MM	
K4	VS10148	1	SCREW AND CLAMP KIT	



Pos.	Artikel-Nr.	Menge	Variante	Notes
1	VS10401	1	FRONT SQUEEGEE SUPPORT	
2	VF91014	1	SQUEEGEE SPRING	
3		1	K7	
4		1	K7	
5		1	K7	
6		1	K7	
7		2	K7	
8		3	K7	
9	VF85104	1	HANDWHEEL M8X55	
10		1	K7	
11		1	K7	
12		1	K7	
13		1	K7	
14	VF91012	1	COATING SQUEEGEE CONNECTOR PLATE	
15		1	K7	
16		1	K7	
17		2	K7	
18		2	K7	
19	VS13401	1	BACK SQUEEGEE SUPPORT	
20		1	K7	
21		2	K7	
22		1	K7	
23	909 6055 000	1	Halteband f. Gummilippe	
24X	9100000279	1	Sauglippen-Set, 740 mm, 29"	
24X	909 6858 000	1	Sauglippenset PU, 740 mm	
25	909 6044 000	1	Saugbalken	
26	9100000791	1	KNOB M8X30 THD STUD SS PKD	
27		2	K2	
28		2	K2	
29		2	K2	
30		2	K2	
32		2	K6	
33		2	K6	
34		2	K6	
35		1	K4	
36		1	K4	
37		2	K5	
38		1	K5	
39		2	K5	
40		1	K4	
41	909 6600 000	1	Schraube M8X30 UNI5929 SS	
K1	909 6851 000	1	Saugfuß Kit komplett	
K2	909 6884 000	1	Abweisrollenkit BA 451	
K3	909 6883 000	1	Stützrad zu BA 451	
K4	909 6882 000	1	Befestigungskit	
K5	909 6394 000	1	Verschluss BA 451	
K6	9097637000	1	Befestigungskit BA 551	
K7	VS13711	1	HARDWARE SQUEEGEE SUPPORT KIT	



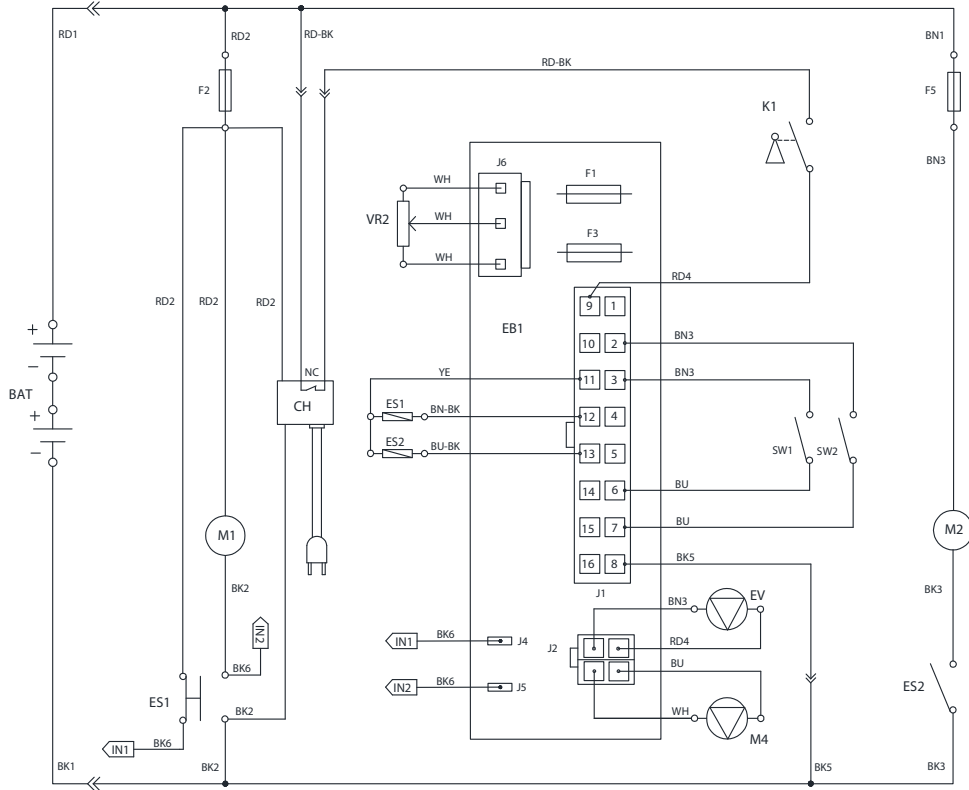
Pos.	Artikel-Nr.	Menge	Variante	Notes
1	VS10401	1	FRONT SQUEEGEE SUPPORT	
2	VF82172	1	LOCK SPRING	
3		1	K7	
4		1	K7	
5		1	K7	
6		1	K7	
7		2	K7	
8		3	K7	
9	VF85104	1	HANDWHEEL M8X55K7	
10		1	K7	
11		1	K7	
12		1	K7	
13		1	K7	
14	VF91012	1	COATING SQUEEGEE CONNECTOR PLATE	
15		1	K7	
16		1	K7	
17		2	K7	
18		2	K7	
19	VS13401	1	BACK SQUEEGEE SUPPORT	
20		1	K7	
21		2	K7	
22		1	K7	
23	909 6055 000	1	Halteband f. Gummilippe	
24X	VF91113	1	BLADES NON MARKING KIT 740MM/29 AP	
24X	VF91116	1	BLADES PU KIT 740MM/29 AP	
25	VS13650	1		
26	VF85420	1	KNOB CT 476/30 S-P-M8X30 BP INOX / SS	
27		2	K2	
28		2	K2	
29		2	K2	
30		2	K2	
32		2	K6	
33		2	K6	
34		2	K6	
35		1	K4	
36		1	K4	
37		2	K5	
38		1	K5	
39		2	K5	
40		1	K4	
41	909 6600 000	1	Schraube M8X30 UNI5929 SSK1	
43			K8	
44			K8	
45 C/D			K8	
K1C/D	VS13813	1	SQUEEGEE CPL ALU 760MM/30 KIT	
K2	VF85015	1	KIT SQUEEGEE BUMPER ROLLER	
K4	VF85013	1	FIXING SQUEEGEE KIT	
K5	VF85003	1	KIT LATCH FOR SQUEEGEE	
K6	VF91092	1	SQUEEGEE FIXING KIT	
K7	VS13711	1	HARDWARE SQUEEGEE SUPPORT KIT	
K8 C/D	VS13812	1	CASTER KIT	



Pos.	Artikel-Nr.	Menge	Variante	Notes
1	VS10702	1	BRUSH MOTOR KIT	
2		8	K1/K4/K7	
3		1	K1	
4	VS10337	1	ELBOW	
5		1	K2	
6		1	K2	
7		1	K2	
8		1	K2	
9		1	K2	
10	VF91053	1	ROLLER BUMPER	
11		1	K2	
12	VF85122	1	HUB BRUSH RIGHT	
13	VF85129	1	BRUSH HUB	
14		8	K3/K6	
15		7	K3/K6	
16		1	K3	
17		1	K3	
18		8	K1/K4/K7	
19		1	K4	
20		1	K5	[1]
21		1	K5	[1]
22		1	K6	
23		1	K7	
24	VF91040	1	BRUSH	[2]
24	L08837025	1	Bürste PPN mittel, 530 mm	[2]
25	9099671000	1	Padhalter Ø 508 mm, 20"	
26	10001961	1	Eco Pad 21", Ø 533 mm, schwarz, VPE 5	[2]
26	10001962	1	Eco Pad 21", Ø 533 mm, blau, VPE 5	[2]
26	10001963	1	Eco Pad 21", Ø 533 mm, braun, VPE 5	[2]
26	10001964	1	Eco Pad 21", Ø 533 mm, grün, VPE 5	[2]
26	10001965	1	Eco Pad 21", Ø 533 mm, rot, VPE 5	[2]
26	10001966	1	Eco Pad 21", Ø 533 mm, weiß, VPE 5	[2]
26	10002352	1	Eco Brill. Pad 21", Ø 533 mm, rot, VPE 2	[2]
26	10002354	1	Eco Brill. Pad 21", Ø 533 mm, gelb, VPE	[2]
26	10002355	1	Eco Brill. Pad 21", Ø 533 mm, grün, VPE	[2]
27	VF89116	4	KOHLBÜRSTEN-SET	
28	VR27100	1	WATERPROOF CASE	
29		4	K7	
30	VS13752	1	20INCH SKIRT KIT	
33	VS11308	1	BALANCE BLOCK	[3]
34	VS11707	1	CARBON BRUSH COVER PLASTIC	
K1	VS10127	1	LONG CONNECTION PLATE KIT	
K2	VF85017	1	BUMPER ROLLER KIT	
K3	VF85002	1	HOLDER POLYG. WITH FLAGE KIT	
K4	VS10132	1	SHORT CONNECTION PLATE KIT	
K5	VS13712	1	PLATE KIT	[1]
K6	VS10128	1	MOTOR FIXING PLATE KIT	
K7	VS13713	1	BRUSH DECK KIT	

Part Notes:

- [1] - WITHOUT TRACTION
- [2] - Optional
- [3] - With traction



Pos.	Artikel-Nr.	Menge	Variante	Notes
BAT		1	24V BATTERIES	
CH	VS10264	1	24V 13A CHARGER KIT WITH MAGNET RING AGM	
EB1	VS13201	1	CONTROL PANEL BOARD	
ES1	909 5127 000	1	Relais 24 V	
ES2	VS10201	1	RELAY 24V	
F1	VS13208	1	LOW POWER CIRCUIT FUSE	
F2	ZD48320	1	SCHUTZSCHALTER 30A	[1]
F3	VS13209	1	BRUSH RELEASE FUSE	
F5	ZD48320	1	SCHUTZSCHALTER 30A	
K1	9100001354	1	Schlüsselschalter komplett	
M1	VS10702	1	BRUSH MOTOR KIT	
M2	VF90520	1	VACUUM MOTOR	
M4	VF90282	1	Magnetventil für AS430/510B+C	
M5		1	DETERGENT PUMP	
SW1	VS10202	1	SWITCH	[2]
SW2	VS10202	1	SWITCH	[2]
VR2		1	DETERGENT PUMP POTENTIOMETER	

Part Notes:

- [1] - TSB-FC-2019-025 brush circuit breaker
- [2] - TSB-FC-2019-038 drive switch SC530
DE TSB-FC-2019-038 SC530 Fahrschalter

