

PARTS LIST



2017.06.13

 **Nilfisk**[®]

 07351-5758060

kontakt@nilfisk-alto-shop.com



 **Heine**
Vertriebs-GmbH

Preisabfrage bzw. Bestellungen der Artikel im Shop unter

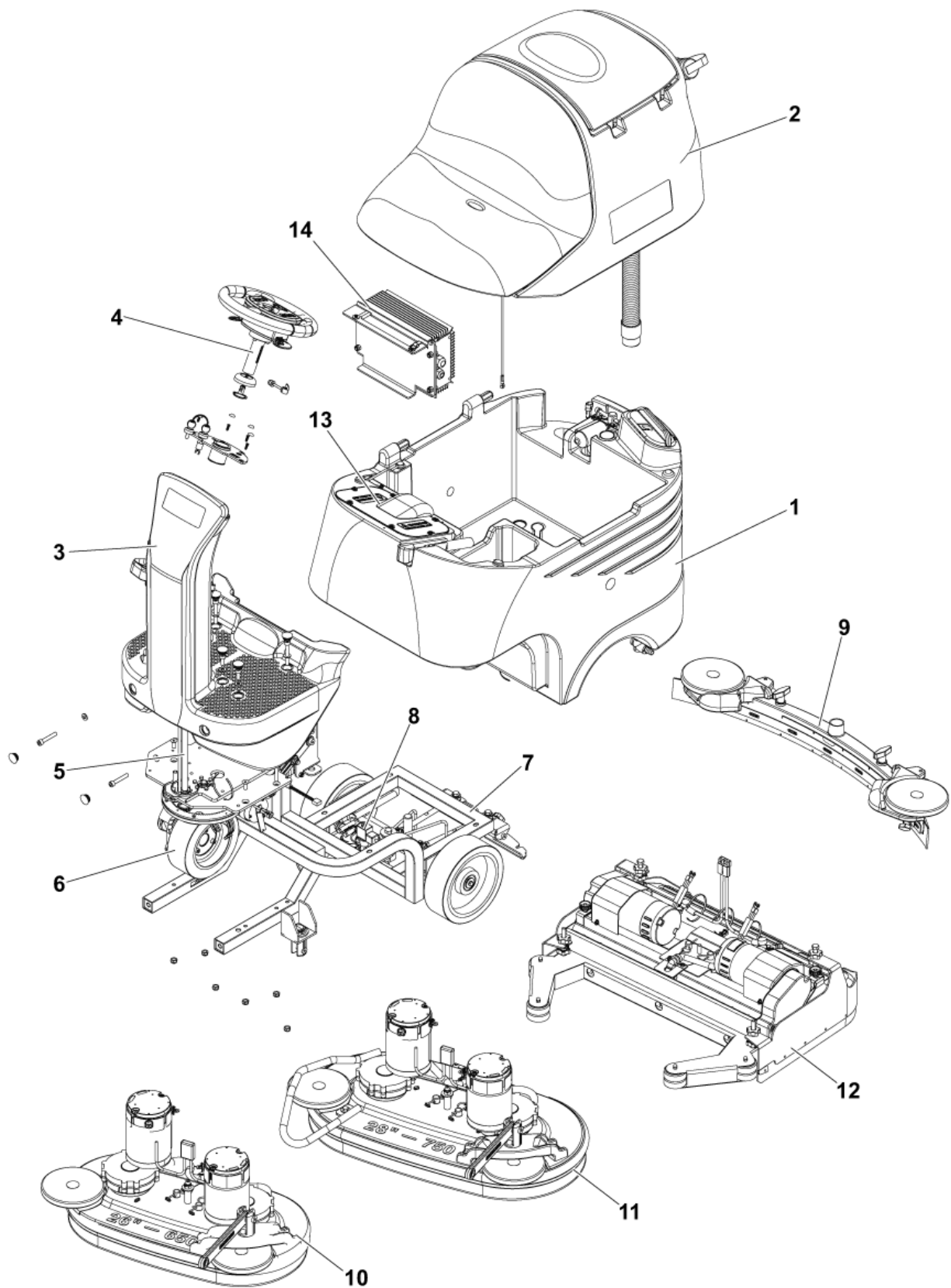
www.nilfisk-alto-shop.com

einfach die Artikelnummer in die Suchmaske eingeben

(Bitte die Artikelnummer ohne Leerzeichen eingeben)

TABLE OF CONTENTS

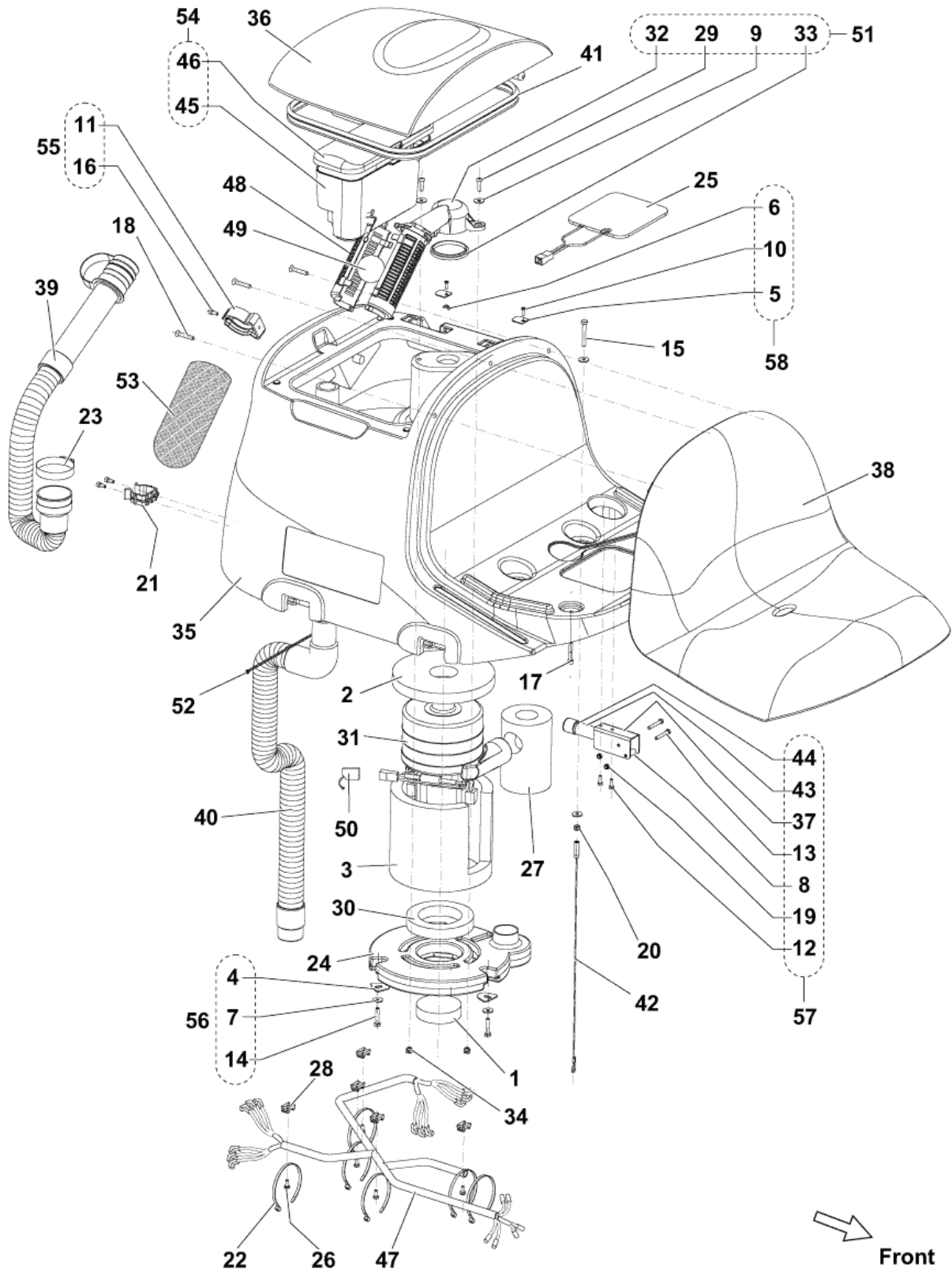
GENERAL VIEW	1
RECOVERY TANK	3
COLUMN SYSTEM	5
STEERING ASSY	7
STEERING WHEEL SUPP ASSY	9
DRIVE WHEEL ASSY	11
CHASSIS SYSTEM	13
SOLUTION SYSTEM	15
SQUEEGEE RAISING ASSY	17
SQUEEGEE SYSTEMS	19
DISC BRUSH DECK SUPP. ASSY	21
DISC BRUSH DECKS SYSTEMS	23
CYL. BRUSH DECK SUPP. ASSY	25
CYL. BRUSHES DECK 1	27
CYL. BRUSHES DECK 2	29
ELECTRICAL COMPONENTS	31
BATTERY CHARGER	33
ECOFLEX	35
MOP AND TRASH KIT - BASKET KIT	37
FLASHING BEACON KIT - NOISE REDUCTION KIT	39
ACCESSORIES	41
SOLUTION TANK	43
RECOMMENDED SPARE PARTS	45



Pos.	Artikel-Nr.	Menge	Variante	Notes
1		1	SOLUTION TANK	[1]
2		1	RECOVERY TANK	[2]
3		1	COLUMN SYSTEM	[3]
4		1	STEERING ASSY	[4]
5		1	STEERING WHEEL SUPPORT ASSEMBLY	[5]
6		1	DRIVE WHEEL ASSEMBLY	[6]
7		1	CHASSIS SYSTEM	[7]
8		1	SOLUTION SYSTEM	[8]
9		1	SQUEEGEE SYSTEMS	[9]
10		1	BRUSHES DECK SYSTEM 650	[10]
11		1	BRUSHES DECK SYSTEM 750	[10]
12		1	CYL. BRUSHES SYSTEM	[11]
13		1	ELECTRICAL COMPONENTS	[12]
14		1	BATTERY CHARGER	[13]

Part Notes:

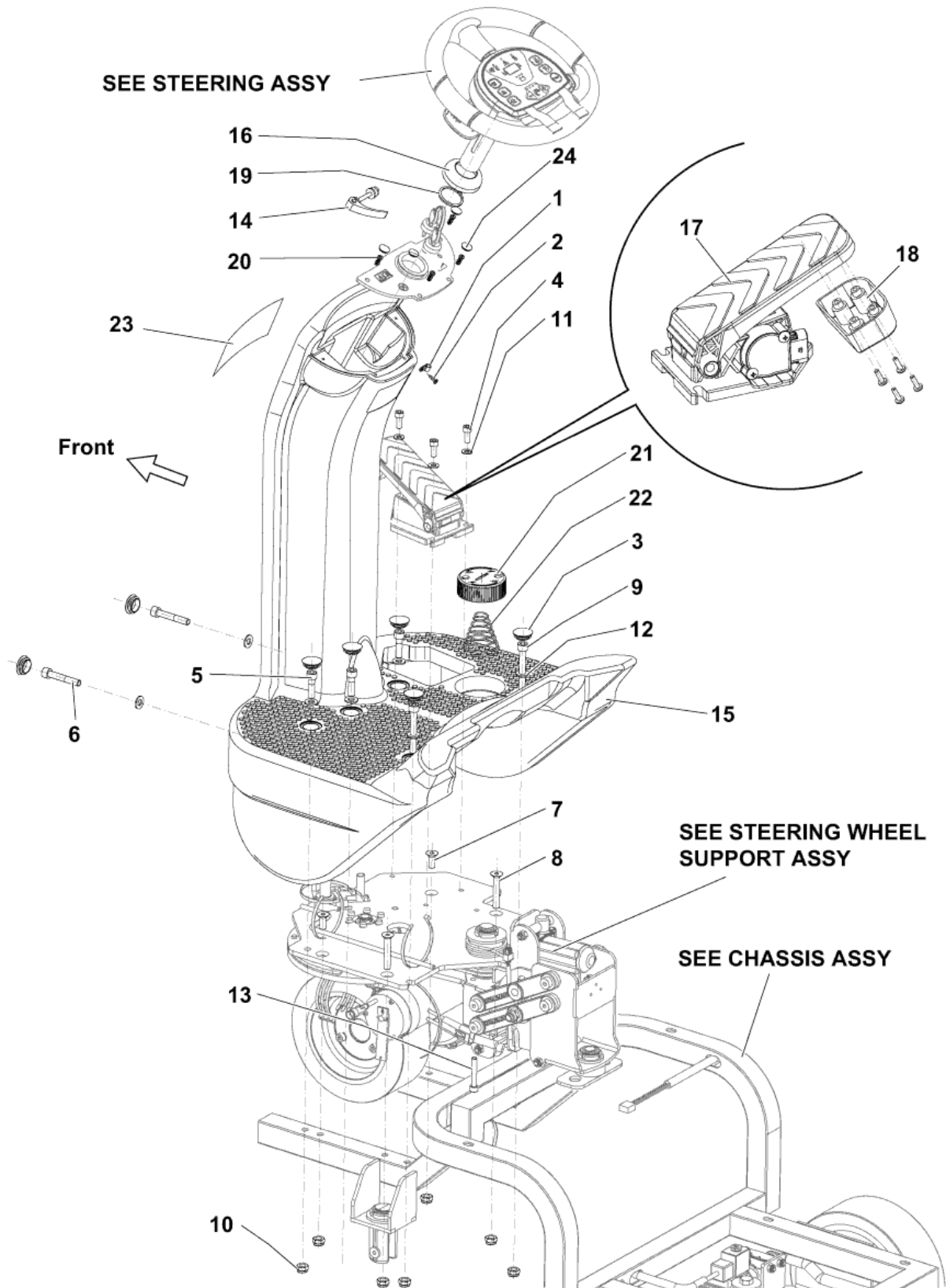
- [1] - SOLUTION TANK
- [2] - RECOVERY TANK
- [3] - COLUMN SYSTEM
- [4] - STEERING ASSY
- [5] - STEERING WHEEL SUPP ASSY
- [6] - DRIVE WHEEL ASSY
- [7] - CHASSIS SYSTEM
- [8] - SOLUTION SYSTEM
- [9] - SQUEEGEE SYSTEMS
- [10] - DISC BRUSH DECKS SYSTEMS
- [11] - CYL. BRUSHES DECK 1
- [12] - ELECTRICAL COMPONENTS
- [13] - BATTERY CHARGER



Pos.	Artikel-Nr.	Menge	Variante	Notes
1	909 6672 000	1	Filter	
2	909 6489 000	1	Dichtung	
3	909 6491 000	1	Panel, schalldämpfend	
21	9100001164	1	CLAMP HOSE D.40 BLACK KIT	
23	146 0771 000	1	CLAMP	
24	9100001246	1	COVER VACUUM MOTOR PKD	
25	9100001152	1	MICROSWITCH PKD	
27	909 6442 000	1	Geräuschdämmung f.	
30	9097555000	1	Dichtung	
31	9099929000	1	SAUGMOTOR 3ST 24V 420W KOMPLETT	
31	9100001706	1	HIGH POWER VAC 570W KIT	[1]
35	9097801000	1	TANK RECOVERY RAL 7001	
36	9097802000	1	Tankdeckel	
38	9097858000	1	Sitz	
39	9100001890	1	HOSE DRAIN BLACK PKD	
40	9098169000	1	Saugschlauch	
41	9098172000	1	Dichtung Deckel	
42	9098177000	1	Halteseil	
47	9098235000	1	pARNESS RECOVERY TANK	
48	9100000818	1	CAGE FLOAT HALF 2 PCS SET	
49	9100000817	1	BALL FLOATING PKD	
50	9098716000	1	Kohlenbürste Kit	
51	9100001875	1	SUPPORT FLOAT KIT	[2]
52	L08066000	1	TIE CABLE QUICK FASTENING L.320	
53	909 5065 000	1	Filter antischäum	[3]
54	9098712000	1	Grobschmutzkorb-Set	[4]
55	909 6380 000	1	Schlauchklammer BR 601BR 751	[5]
56	909 6877 000	1	Motor Befestigungskit	[6]
57	9098713000	1	BRACKET SAFETY KIT	[7]
58	9098714000	1	FIXING TANK KIT	[8]
59	9098715000	1	HARDWARE RECOVERY TANK KIT	[9]
60	9099210000	1	Klebefolie	[10]

Part Notes:

- [1] - OPTIONAL - SEE INST.INSTR. 9100001707
- [2] - Item 32-29-9-33
- [3] - Optional
- [4] - Item 45-46
- [5] - Item 11-16
- [6] - Item 4-7-14
- [7] - Item 44-43-37-13-8-19-12
- [8] - Item 6-10-5
- [9] - NOT SHOWN - Item 15-17-20-34-26-22-28-18-7
- [10] - NOT SHOWN



Resource notes:
25 - NOT SHOWN

Pos.	Artikel-Nr.	Menge	Variante	Notes
14	9097796000	1	Lenksaule HÖheinstellung	
15	9097805000	1	FOOTBOARD WITH COLUMN RAL7016	
16	9097806000	1	PROTECTION STEERING RING	
17	9100001421	1	PEDAL SPEED CONTROL KIT	[1]
17	9100001420	1	PEDAL SPEED CONTROL SIP	[2]
18	9100001052	1	STOPPER PEDAL PKD	[3]
21	9097950000	1	Fußstütze	
22	9097957000	1	Feder für Fußstütze	
23	9098717000	1	Aufkleberkit	
25	9100001448	1	HARDWARE STEERING COLUMN KIT	[4]

Part Notes:

- [1] - For machine before SN 3510160702622- See TSB-FC 2015-030
See Inst. Instr. 9100001439
- [2] - For machinestarting SN 3510160702622 - See TSB-FC-2015-030
- [3] - SEE TSB-FC-2015-030
- [4] - Item 1-2-3-4-5-6-7-8-9-10-11-12-13-19-20-24

Pos.	Artikel-Nr.	Menge	Variante	Notes
6	9100001082	1	WHEEL STEERING D.320X281 SIP	
7	9097786000	1	COVER DRIVE WHEEL	
8	9100001083	1	LEVER RIGHT PA YELLOW SIP	
9	9100001084	1	LEVER LEFT PA BLACK SIP	
10	9100001086	1	TUBE ADJUST.STEERING WHEEL SIP	
11	9100001088	1	GASKET ROUND D.2MM PKD	
12	9100000178	1	CARD ELECTRONIC FUNCTIONS KIT	
13	9100001157	2	SPRING MOVING BOTTON 10 PCS SET	
14	9100001158	2	SPRING TORSION FOR STEERING 10 PCS SET	
15	9100001089	1	COVER LOWER SIP	
16	9097986000	1	Aufkleber Bedienfeld	
17	9100001354	1	SWITCH KEY WITH CAP PKD	
18	9097842000	1	PLATE FIXING STEERING WHEEL	
19	9100001085	2	BEARING FLANGE IGLIDUR GFM-4044-14 SIP	
20	146 2887 000	1	Schlüssel (2 Stück)	
21	9097792000	1	Verbindungskabel	
22	9098719000	1	BefestigungsKit für Rad	[1]

Part Notes:

[1] - NOT SHOWN - Item 1-2-3-4-5

STEERING WHEEL SUPP ASSY

BR 752C

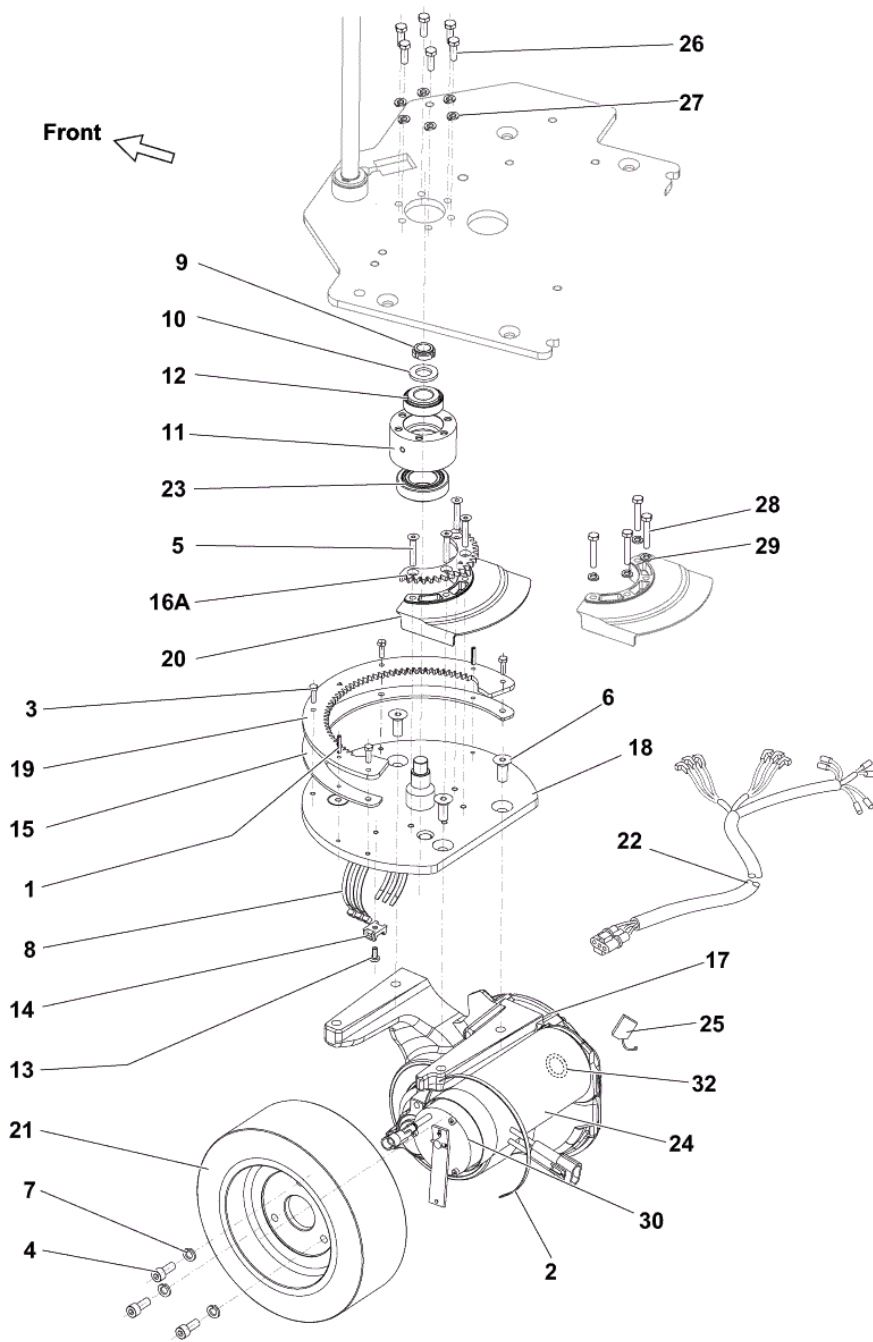
2016.10.25

2016.10.25

Pos.	Artikel-Nr.	Menge	Variante	Notes
4	1466146000	1	KEY 5X5X25 UNI6604A PKD	
10	909 5943 000	1	Buchse	
11	9100001701	1	SHAFT STEERING PHOS. PKD	
12	9097844000	1	SHAFT STEERING	
13	9100001450	1	TUBE STEERING KIT	[1]
15	9098094000	1	Kabelbaum Lenksaule	
16	9098166000	1	SCREW 8X40 M6 ISO7379 12.9 GEOMET 320A	
17A	9100001851	1	PLATE STEERING SUPPORT KIT	[2]
17B	9100001852	1	PLATE STEERING SUPPORT CYL KIT	[3]
18	1466319000	1	JOINT UNIVERSAL D.17 PKD	
19A	9098216000	2	BUSH FLANGED D.30X38X44	[2]
20	9100001436	1	HARNES FOOTBOARD DISC DECK PKD	[4]
20	9100001429	1	HARNES FOOTBOARD DISC DECK SIP	[5]
20	9100001438	1	HARNES FOOTBOARD CYL.DECK SIP	[6]
20	9100001431	1	HARNES FOOTBOARD CYL.DECK SIP	[7]
21	9100001449	1	HARDWARE STEERING SUPPORT KIT	[8]

Part Notes:

- [1] - SEE TSB IT 2011-076
- [2] - Only for BR 652 - BR 752
- [3] - Only for BR 752C NIL
- [4] - Only for BR 652 - BR 752
SEE TSB-FC-2015-030
- [5] - Only for BR 652 - BR 752
STARTING FROM S/N 3510160702622 -SEE TSB-FC-2015-030
- [6] - SEE TSB-FC-2015-030
Only for BR 752C NIL
- [7] - Only for BR 752C NIL
STARTING FROMS/N 3510160702622 -SEE TSB-FC-2015-030
- [8] - NOT SHOWN - Item 1-2-5-6-7-8-9-14-3 - SEE TSB IT 2011-076

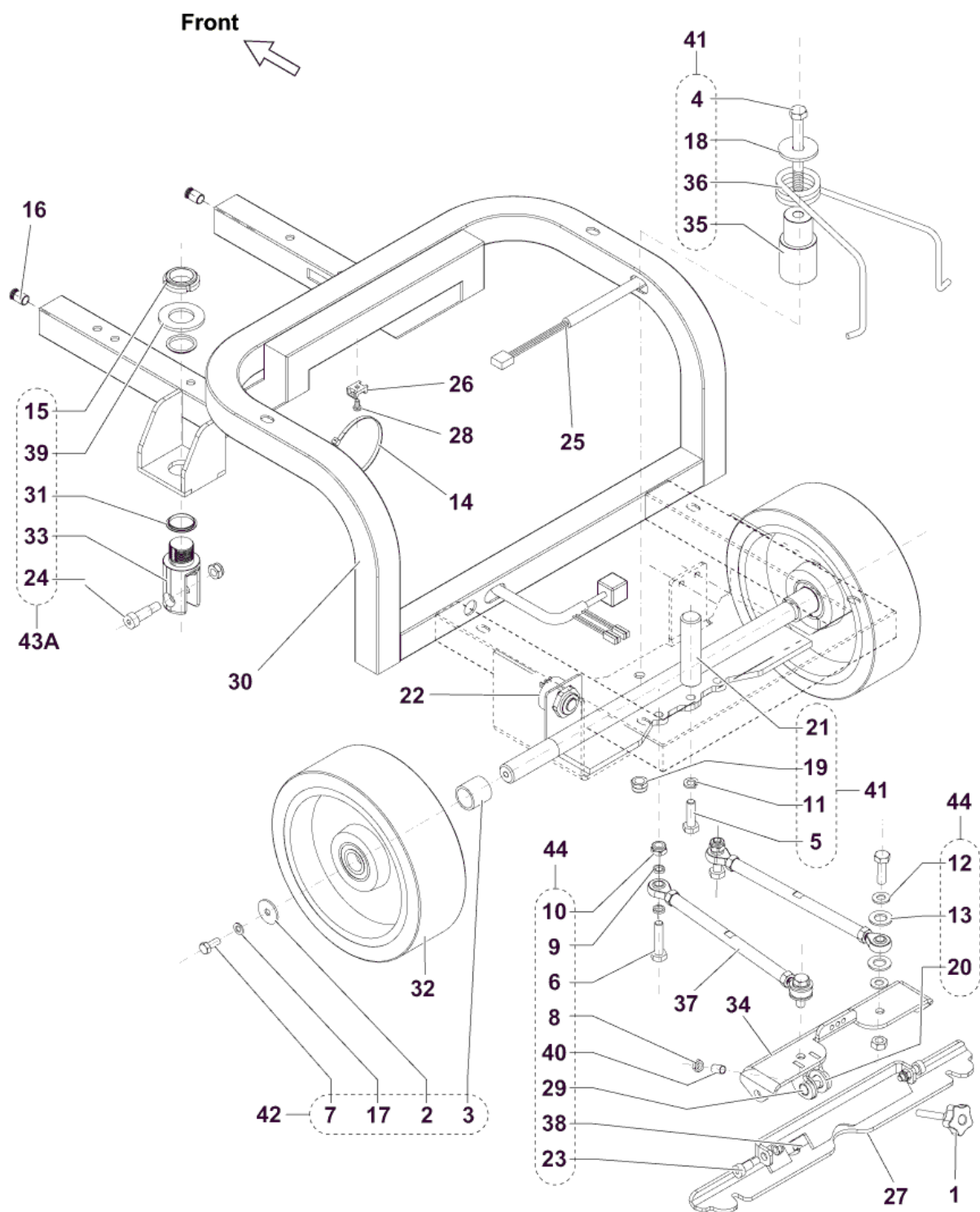


Resource notes:
31 - NOT SHOWN

Pos.	Artikel-Nr.	Menge	Variante	Notes
11	9100001734	1	SUPPORT BALL BEARING PHOS. PKD	
12	1467639000	1	BEARING TAPER ROLLER 32004X SIP	
15	9097807000	1	SPACER CROWN STEERING	
16A	9097809000	1	GEAR MAIN Z45	[1]
17	9100000074	1	ANTRIEBSRAD 300W 24V KOMPLETT	
18	9100002206	1	BRACKET STEERING GALV. KIT	[2]
19	9097841000	1	CROWN STEERING Z100	
20	9098165000	1	PROTECTION DRIVE WHEEL WIRING	
21	9098407000	1	Antriebsrad	
22	9098430000	1	Kabelbaum Kit Antriebsrad	
23	1467636000	1	BEARING TAPER ROLLER 32006 SIP	
24	9100002163	1	MOTOR ELECTRIC 300W 24V KIT	
25	9098627000	1	Kohlenbürste Kit	
30	9098626000	1	Bremse, Elektromagnetisch	
31	9098721000	1	Befestigungskit	[3]
32	9098800000	1	OIL SEAL 15X32X7	[4]

Part Notes:

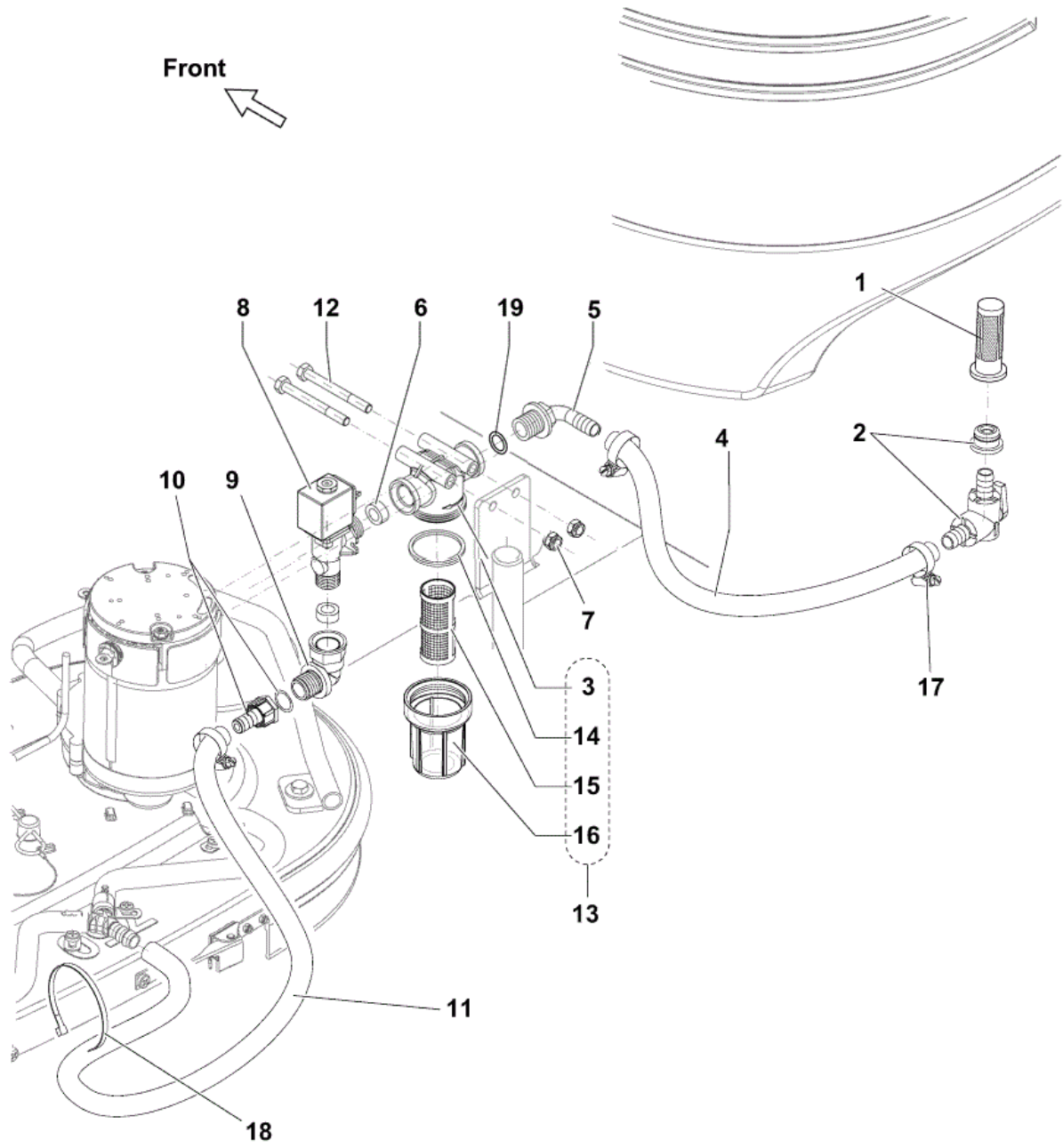
- [1] - Only for BR 652 - BR 752
- [2] - TSB-FC-2016-015 steering bracket BR652-SC3000
DE TSB-FC-2016-015 BR652 Scrubtec R4 Lenkungseinheit Halterung
- [3] - Item 26-27-9-10-5-28-29-3-1-6-8-14-13-7-4-2
- [4] - For MOTOR WHEEL 9097834000



Pos.	Artikel-Nr.	Menge	Variante	Notes
1	9099136000	1	Handrad	
22	909 6126 000	1	Warnton	
25	9098236000	1	HARNESS REAR MACHINE	
27	9098390000	1	SUPPORT SQUEEGEE DOWN	
30	9097798000	1	CHASSIS	
32	9100000772	2	WHEEL D.254 80SH GREY PKD	
34	9097827000	1	SUPPORT SQUEEGEE UPPER	
37	9100001090	2	ROD EYE M10 PKD	
41	9098722000	1	CENTRING SQUEEGEE KIT	[1]
42	9098723000	1	FIXING WHEELS KIT	[2]
43A	9098724000	1	BRACKET TURNING KIT	[3]
44	9098725000	1	Befestigungskit	[4]

Part Notes:

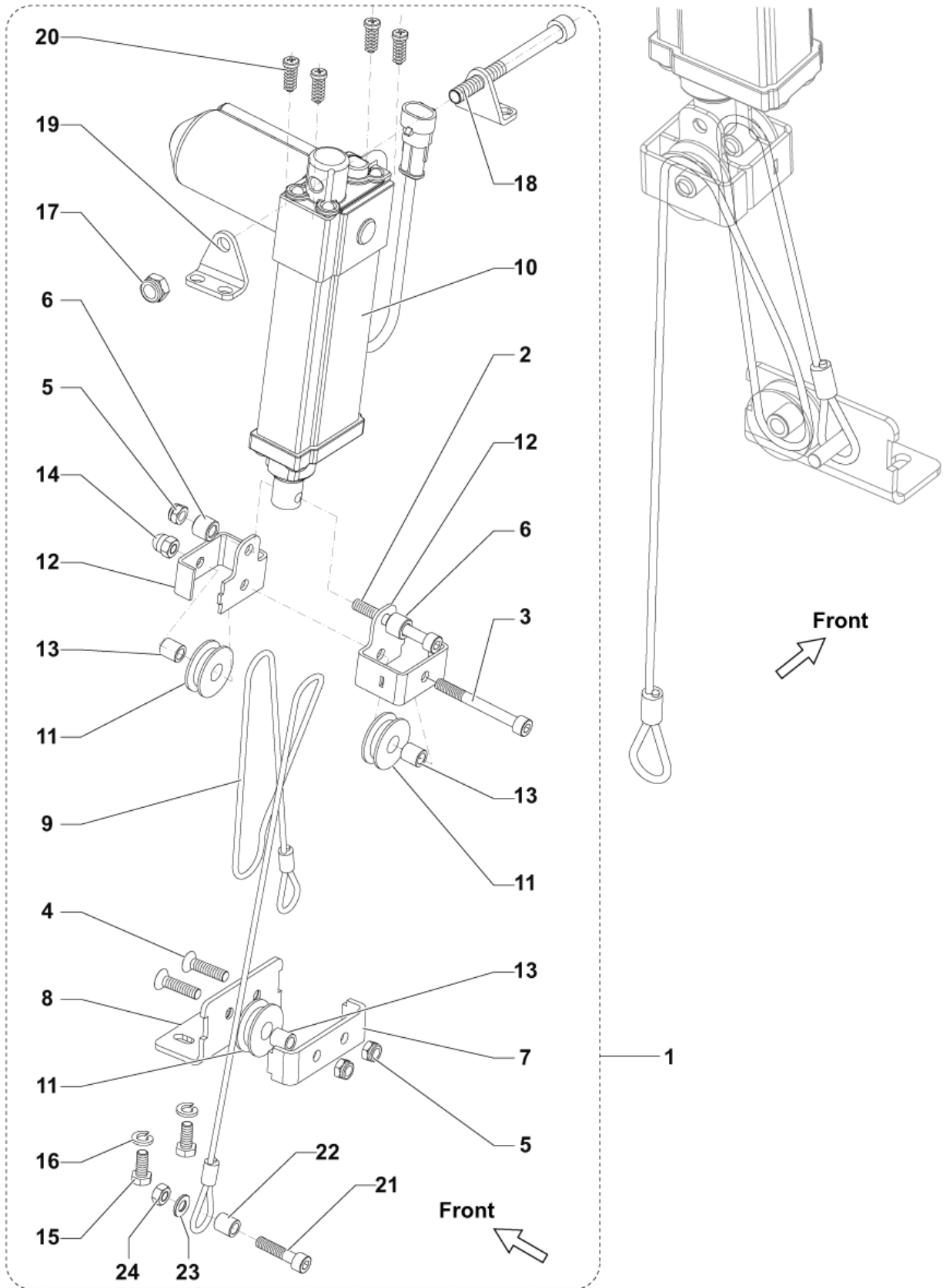
- [1] - Item 4-18-36-35-21-19-11-5
- [2] - Item 7-17-2-3
- [3] - Item 24-33-31-39-15 (Only for BR 652 - BR 752)
- [4] - Item 10-9-6-8-40-29-38-23-12-13-20



Pos.	Artikel-Nr.	Menge	Variante	Notes
1	9100001353	1	FILTER SOLUTION TANK PKD	[1]
2	9097626000	1	Winkelventilkit	
4	9098120000	1	HOSE PVC W/SPIRAL D.12X18 L.323MM SIP	
5	909 6087 000	1	Verbindung	
6	9100000622	3	GASKET RUBBER D.11.5X19X5 BLACK SIP	
8	909 6555 000	1	Magnetventil 24 V	
9	9100000894	1	ELBOW CURVED M/F PKD	
10	9100002148	1	BARB HOSE STRAIGHT 1/2 D.13 PLAST. KIT	
11	9097821000	1	Schlauch D12 x 1020mm	
13	9098115000	1	Wasserfilter Kit	
14	9097943000	1	Dichtung für Wasserfilter	
15	9097944000	1	Filtereinsatz	
16	9097945000	1	Deckel Wasserfilter	
19	9100002332	1	O-RING 5X20 METRIC NBR 70SH 2PCS SET	
20	9098726000	1	Befestigungskit	[2]

Part Notes:

- [1] - Optional
 [2] - NOT SHOWN - Item 12-7-17-18



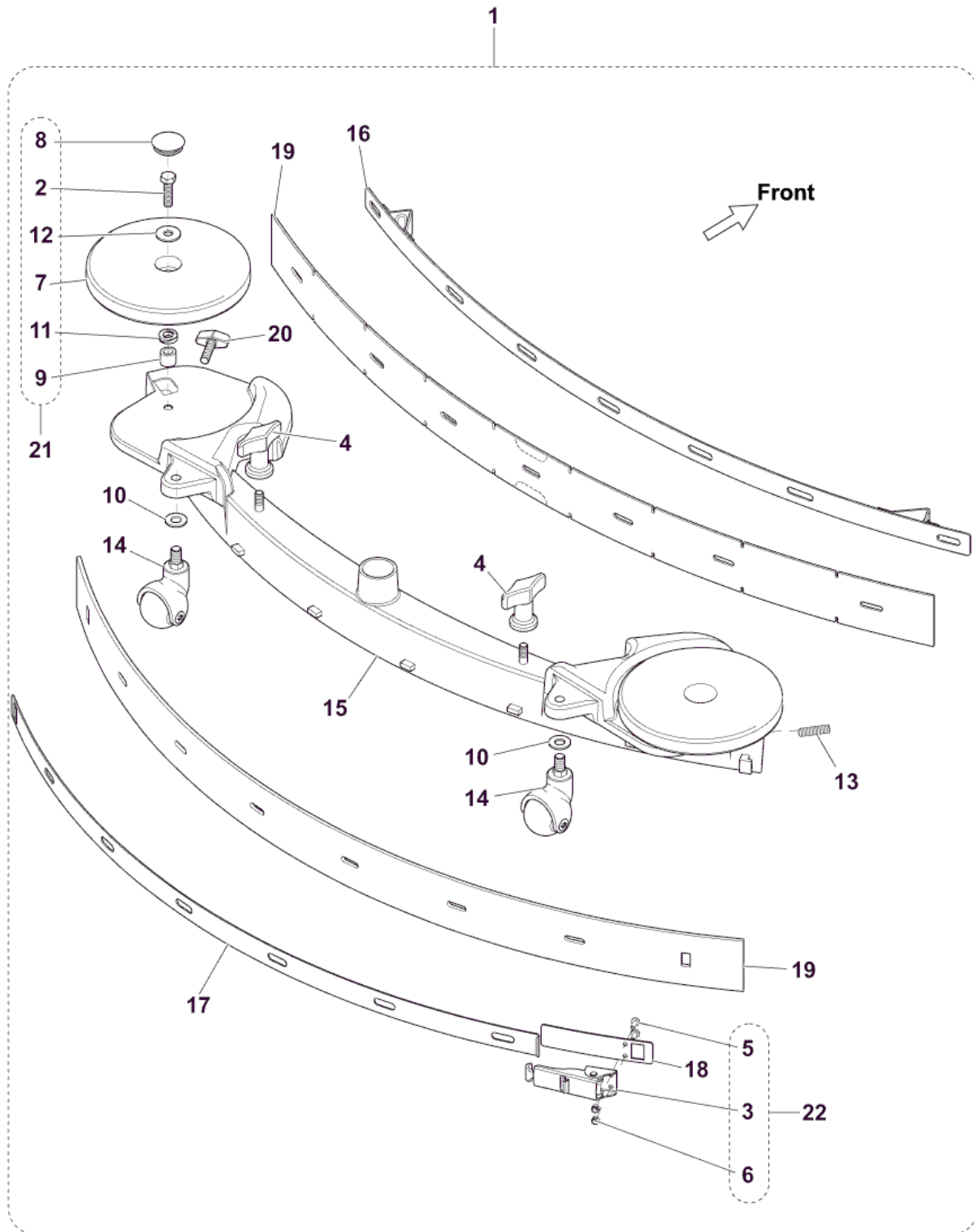
SQUEEGEE RAISING ASSY

BR 752C

2015.05.19

2015.04.28

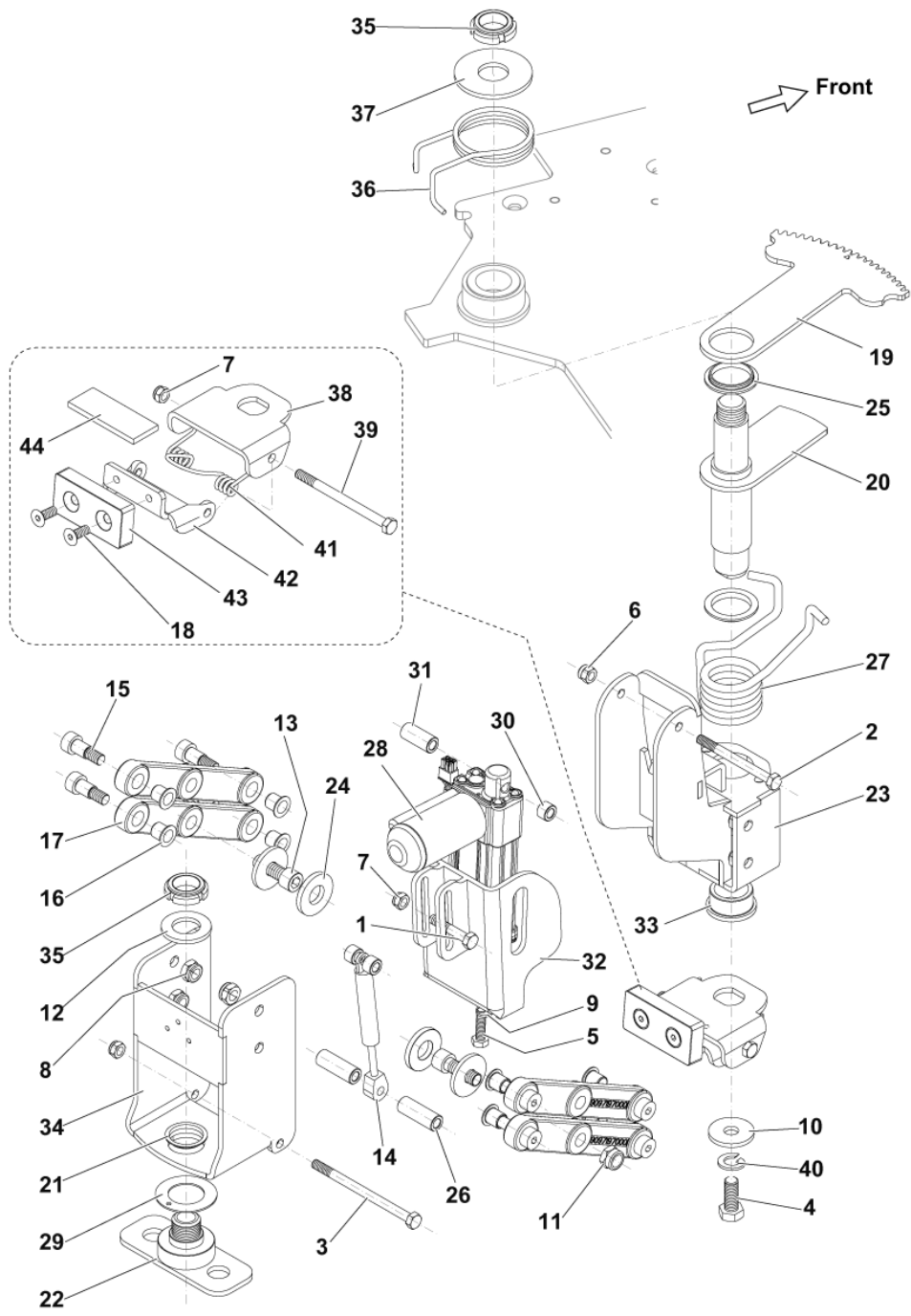
Pos.	Artikel-Nr.	Menge	Variante	Notes
1	9098708000	1	SQUEEGEE LIFTING KIT	
9	9097933000	1	Seilzug f. Absaugleiste	
10	9100000682	1	ACTUATOR LINEAR 24V DC STRK 100MM PKD	
11	9098248000	3	Umlenkrolle	



Pos.	Artikel-Nr.	Menge	Variante	Notes
1	9098728000	1	Absaugleiste kpl. 890mm	
4	9097637000	1	Befestigungskit BA 551	
13	909 6600 000	1	Schraube M8X30 UNI5929 SS	
14	9099163000	2	Lenkrolle D42	
15	9098379000	1	Gehäuse - Absaugleiste	
16	9098380000	1	Befestigungsleiste	
17	9098381000	1	STRAP SKIRT REAR RIGHT 35 INC.	
18	9098382000	1	Spannverschluss	
19	9099855000	1	Sauglippen-Set PU 890 mm	
19	9097804000	1	Sauglippen-Set 890 mm, 35"	[1]
20	9100000791	1	KNOB M8X30 THD STUD SS PKD	
21	909 6887 000	2	Abweisrollenkit	[2]
22	909 6394 000	1	Verschluss BA 451	[3]

Part Notes:

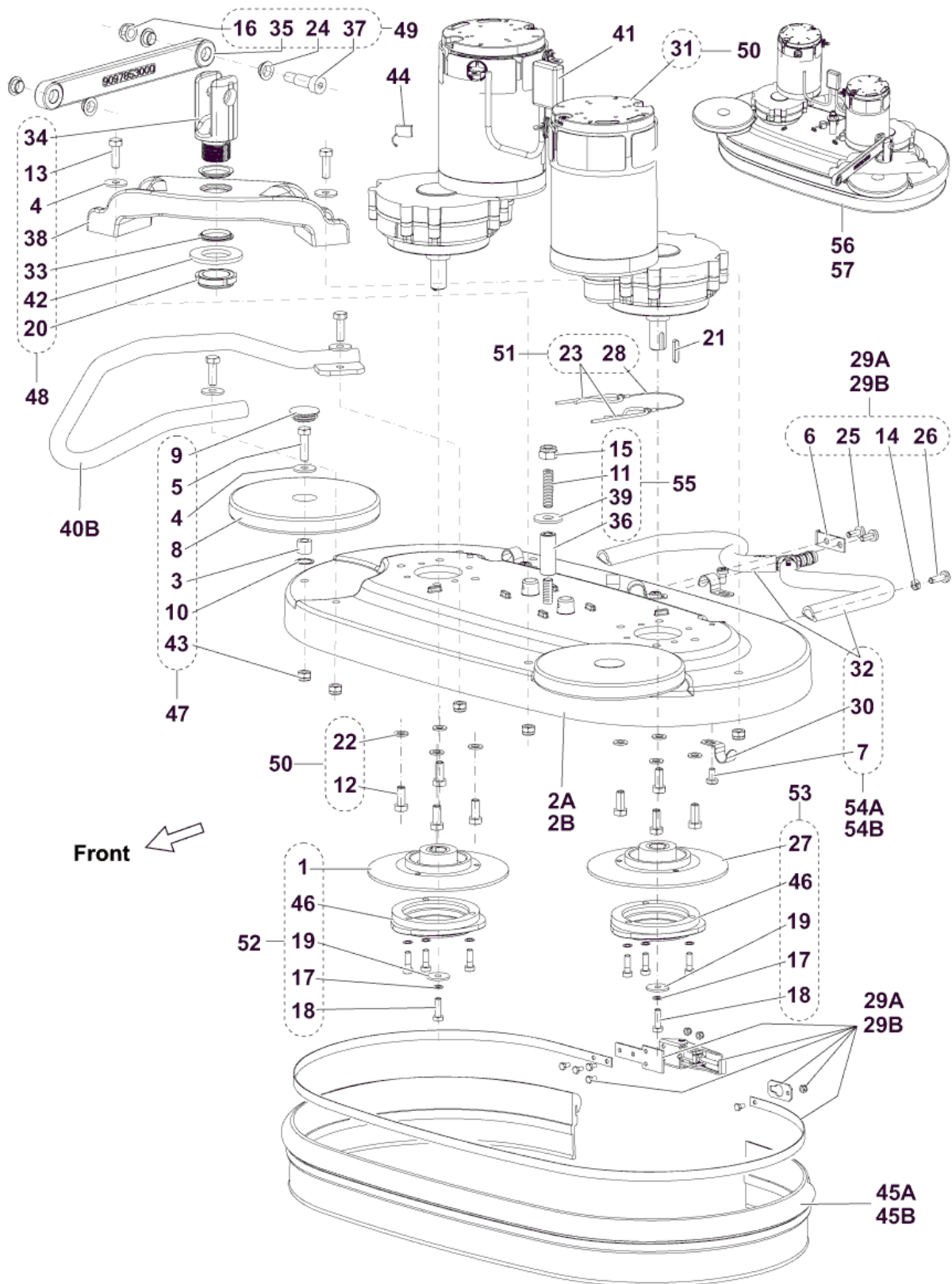
- [1] - Optional
- [2] - Item 9-11-7-12-2-8
- [3] - Item 3-5-6



Pos.	Artikel-Nr.	Menge	Variante	Notes
14	909 5637 000	1	Gasdruckfeder BA 410	
15	909 6520 000	8	SCREW 12X16 M10 ISO7379 12.9 GEOMET320A	
16	9097008000	8	BUSH FLANGED	
17	9097197000	4	LEVER	
19	9097810000	1	GEAR SLAVE	
20	9097811000	1	PIN DRIVEN CROWN	
21	910000902	1	BEARING FLANGE IGLIDUR 2 PCS SET	
22	9097819000	1	BRACKET ROTATING SUPPORT DECK	
23	9097822000	1	SUPPORT JACK	
24	9097824000	2	Buchse D.18.2X40	
25	9097835000	2	BUSH FLANGED D.35X39X47	
26	9097836000	2	SPACER D. 8.5X15X42	
27	9097850000	1	Federdämpfer Schrubbdeck	
28	910000681	1	ACTUATOR LINEAR 24V DC STRK 66MM PKD	
29	910000903	1	U-Scheibe GTM 3254-015 PKD	
30	9097938000	3	SPACER D. 8.5X15X10	
31	9097939000	1	SPACER D. 8.5X15X33	
32	9098176000	1	BRACKET LOWER JACK MOTOR	
33	9098216000	1	BUSH FLANGED D.30X38X44	
34	9098220000	1	BRACKET SUPPORT DECK	
35	33005721	2	Ringmutter M25x1,5	
36	9097851000	1	Zentrierfeder	
37	9098239000	1	WASHER FLAT D.25.5X65X4	
38	9098195000	1	FLANGE UP DRAGGING	
41	9098197000	1	SPRING INSERTION DRAGGING	
42	9098196000	1	FLANGE DOWN DRAGGING	
43	9097813000	1	Führung	
44	9098857000	1	RUBBER ANTISHOCK	
45	9098727000	1	HARDWARE BRUSH DECK SUPPORT KI	[1]

Part Notes:

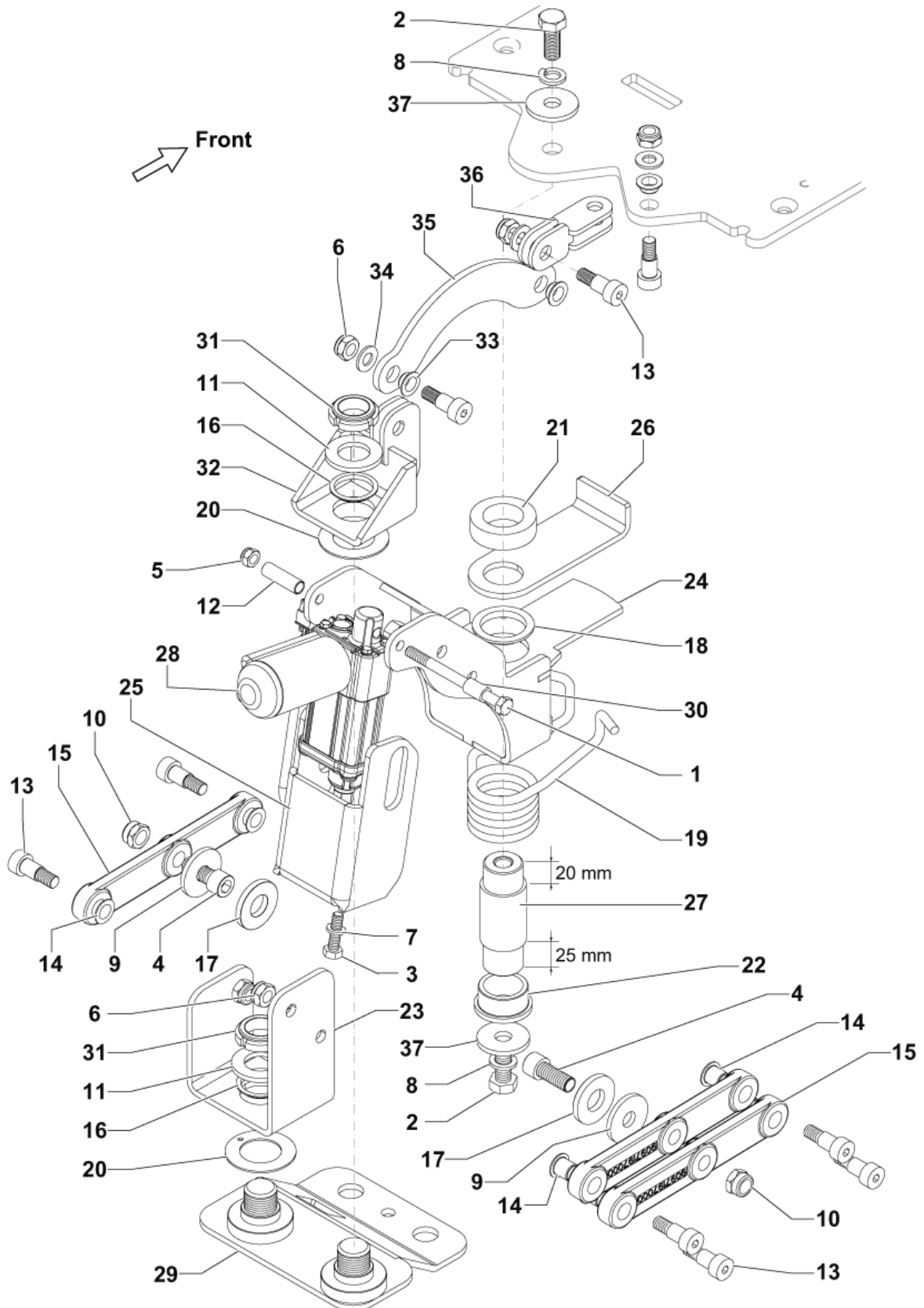
[1] - NOT SHOWN - Item 40-18-39-6-2-13-1-7-9-5-10-4-11-3-8-12



Pos.	Artikel-Nr.	Menge	Variante	Notes
2A	9099414000	1	DECK BRUSH 650MM	[1]
2B	9099415000	1	DECK BRUSH 750MM	[2]
21	1466146000	2	KEY 5X5X25 UNI6604A PKD	
29A	909 5398 000	1	Spritzgummihalterungs-KitBA 600S / BA 65	[1]
29B	909 5407 000	1	Spritzgummihalterungs-KitBA 750S	[2]
40B	9098243000	1	PROTECTION BRUSH DECK 750	[2]
41	9098374000	1	Kabelbaum für Bürstendeck	
41	9100002248	1	CONNECTOR 50A RED SIP	
44	909 5380 000	2	Kohlebürste Kit	[3]
44	9100000421	2	CARBON BRUSHES W/HOLDER KIT	[4]
44	L08603949	2	Kohlenbürsten Kit 4pcs	[5]
45A	9097474000	1	Spritzschutz	[6]
45A	909 5224 000	1	Spritzgummi	[1]
45B	9097475000	1	SPLASH GUARD W/BRISTLES	[7]
45B	909 5345 000	1	Spritzgummi BA 750L=1600mm	[2]
46	L08812480	2	Polygonaufnahme	
47	909 6887 000	2	Abweisrollenkit	[8]
48	9098730000	1	SPACER SIDE ARM KIT	[9]
49	9098731000	1	ARM SIDE KIT	[10]
50	9100001657	2	REDUCTION GEARMOTOR 400W 24V KIT	[11]
51	909 6354 000	1	Kabel mit 2 Splint	[12]
52	9097640000	1	Bürstenhalter Kompl. Re.	[13]
53	9097639000	1	HOLDER POLYGONAL LEFT 650	[14]
54A	9097644000	1	Schlauch	[15]
54B	9097645000	1	Wasserschlauch	[16]
55	9098732000	1	FIXING DECK KIT	[17]
56	9098741000	1	Bürstendeck-Set 350 mm, 26"	[18]
57	9098742000	1	Bürstendeck 750mm/28 Kit	[18]

Part Notes:

- [1] - For BR 652
- [2] - For BR 752
- [3] - STOCK COVERS GUARANTEE
FOR OLD MOTOR 9097638000 (LEROY SOMER)
- [4] - STOCK COVERS GUARANTEE
FOR MOTOR 9100000309 (LEROY SOMER)
- [5] - For motor code 9100001657 (AMER)
- [6] - Optional for BR 652
- [7] - Optional for BR 752
- [8] - Item 4-5-9-8-3-10-43
- [9] - Item 13-34-4-38-33-42-20
- [10] - Item 16-24-35-37
- [11] - Item 31-21-22-12-44
SEE TSB-FC-2015-034
- [12] - Item 23-28
- [13] - Item 1-19-17-18
- [14] - Item 27-19-17-18
- [15] - Item 7-30-32 for BR 652
- [16] - Item 7-30-32 for BR 752
- [17] - Item 15-11-39-36
- [18] - COMPLEXITY REDUCTION
Product Bulletin PB SD 2012-005

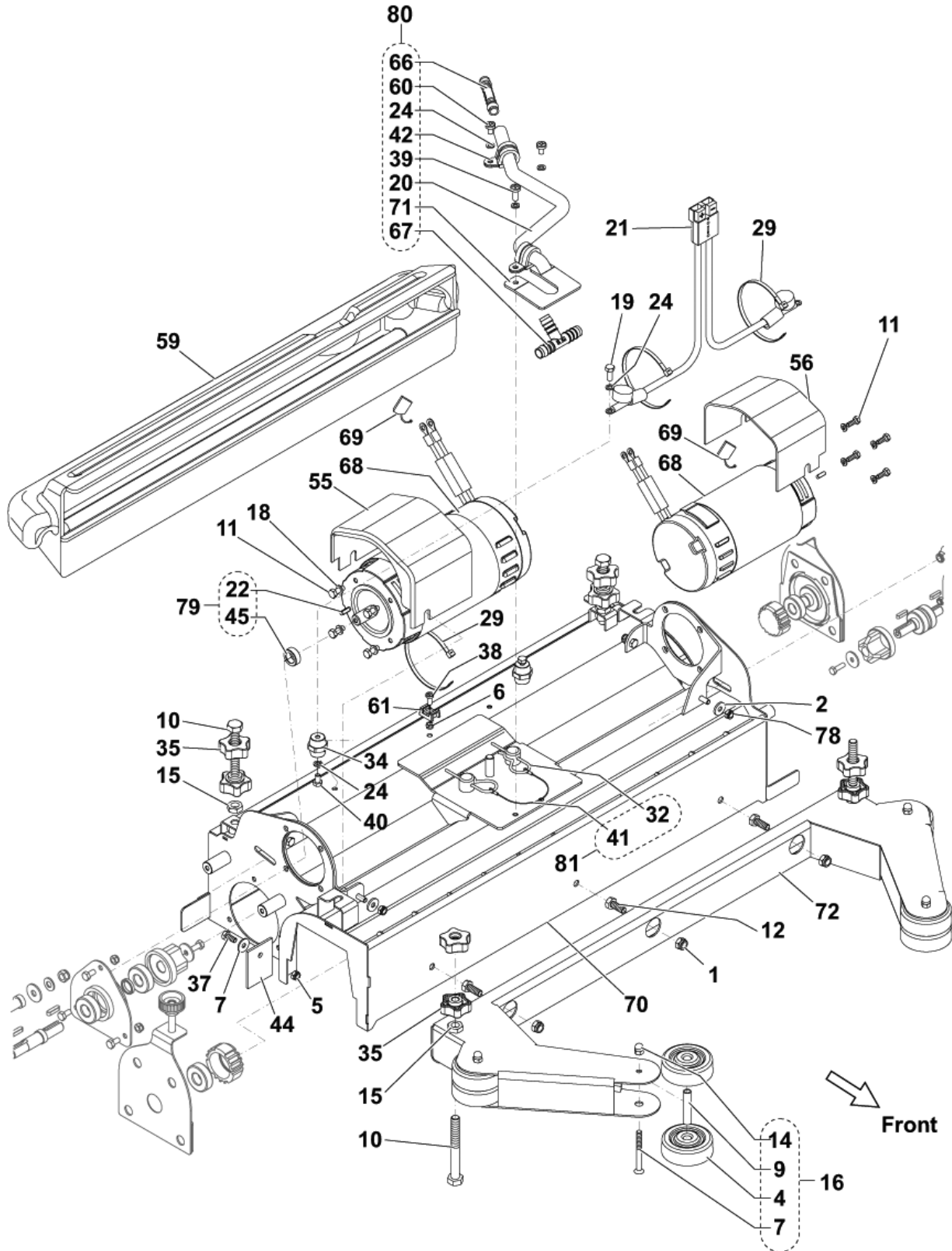


Pos.	Artikel-Nr.	Menge	Variante	Notes
12	9097920000	1	SPACER D. 8.5X15X38	[1]
14	9097008000	6	BUSH FLANGED	
15	9097197000	3	LEVER	
16	9100000902	2	BEARING FLANGE IGLIDUR 2 PCS SET	
17	9097824000	2	Buchse D.18.2X40	
18	9097835000	1	BUSH FLANGED D.35X39X47	
19	9097850000	1	Federdämpfer Schrubbdeck	
20	9100000903	2	U-Scheibe GTM 3254-015 PKD	
21	9098121000	1	SPACER D.31X50X14.5 NYLON	[1]
22	9098216000	1	BUSH FLANGED D.30X38X44	
23	9098409000	1	BRACKET SUPPORT CYL.DECK	[2]
24	9098410000	1	SUPPORT JACK CYL.DECK	[1]
25	9098411000	1	BRACKET LOWER JACK MOTOR CYL.D	[3]
26	9098415000	1	PLATE SPRING SUPPORT	[1]
27	9098416000	1	PIN SUPPORT JACK MOTOR CYL.DEC	[1]
28	9100000683	1	ACTUATOR LINEAR 24V DC STRK 46MM PKD	[4]
29	9098418000	1	BRACKET ROTATING SUPPORT CYL.D	[1]
30	145 2381 000	1	Lagerfutter	[1]
31	33005721	2	Ringmutter M25x1,5	
32	9098420000	1	SUPPORT ROTATING CYL.DECK	[1]
33	146 0549 000	3	Büchse	
35	9098419000	1	ARM SIDE CYLINDRICAL DECK	[1]
36	9098421000	1	ARTICULATED JOINT FOR CYL DECK	[1]
38	9098733000	1	HARDWARE CYL.BRUSH DECK SUPPOR	[5]

Part Notes:

- [1] - STOCK COVERS GUARANTEE
only for BR 752C NIL
- [2] - STOCK COVERS GUARANTEE

only for BR 752C NIL
- [3] - CHANGE TO EXTERNAL VENDOR
only for BR 752C NIL
- [4] - only for BR 752C NIL
- [5] - NOT SHOWN - Item 37-34-13-5-10-4-9-6-11-2-8-3-7-1
only for BR 752C NIL



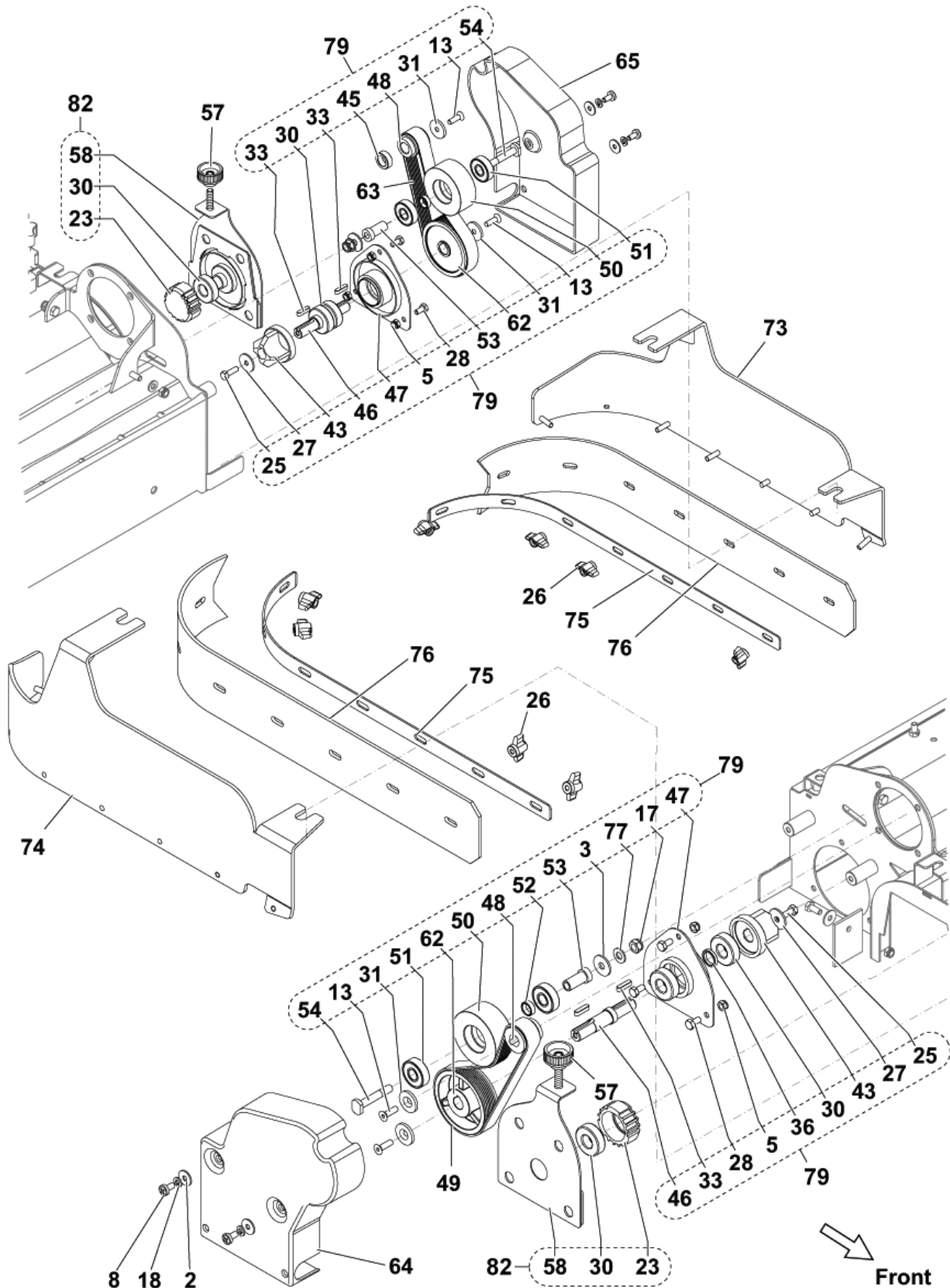
Resource notes:
83 - NOT SHOWN

Pos.	Artikel-Nr.	Menge	Variante	Notes
16	9098736000	4	ROLLER BUMPER KIT	[1]
21	9098658000	1	HARNESS CYL.DECK	[2]
21	9100002248	1	CONNECTOR 50A RED SIP	
23	56407551	2	Bürstenklaue zu BR 850/C	
26	909 6356 000	2	Flügelmutter Kit	
30	145 2361 000	6	Kugellager 6202-2RS1	
34	146 0708 000	2	Isolator weiß M6	
35	1467036000	8	KNOB LOBES M10 FEMALE SIP	
43	909 5728 000	2	Bürstenaufnahme	
44	909 5752 000	2	Deckgummi BA 750 SC	
48	909 5758 000	2	Ritzel	
49	909 5761 000	1	Rillenriemen 11J04838BA 600SC	
50	909 5762 000	2	ROLLER BELT TENSIONER	
51	9100002018	4	BEARING BALL 6201 2RS1 SIP	
55	909 5802 000	1	Motorabdeckung BR 751	
56	909 5803 000	1	Motorschutzgehäuse	
57	909 5964 000	2	Stellschraube	
59	909 6225 000	1	Grobschmutzbehälter BR751	
61	909 6595 000	1	Befestigungsset BR 611	
62	909 6730 000	2	PULLEY POLY-V	
63	909 6731 000	1	Riemen Poly-V BR 601	
64	909 6785 000	1	CRANKCASE.BELT PROTECTIONRIGHT	
65	909 6786 000	1	CRANKCASE.BELT PROTECTIONLEFT	
68	9099858000	2	MOTOR ELECTRIC 600W 24V KIT	
69	L08603949	2	Kohlenbürsten Kit 4pcs	
70	9097847000	1	FRAME CYLINDRICAL DECK 750	[3]
72	9097936000	1	PROTECTION CYL.BRUSH DECK 750	[4]
73	9097952000	1	SUPPORT CYL.DECK LEFT SIDE SKIRT	[2]
74	9097956000	1	SUPPORT CYL.DECK RIGHT SIDE SKIRT	[2]
75	9097959000	2	PLATE SIDE SKIRT CYL.DECK	[5]
76	9097960000	2	SKIRT SIDE CYL.DECK	[5]
79	9098734000	2	Getriebe Kompl. Walze	[6]
80	9098735000	1	PIPE WATER KIT	[7]
81	909 6354 000	1	Kabel mit 2 Splint	[8]
82	9098737000	2	Walzenbürste Halter Kit	[9]
83	9098738000	1	Befestigungskit	[10]

Part Notes:

- [1] - Item 14-4-9-7
only for BR 752C NIL
- [2] - STOCK COVERS GUARANTEE
only for BR 752C NIL
- [3] - CHANGE TO EXTERNAL VENDOR
only for BR 752C NIL
- [4] - STOCK COVERS GUARANTEE

only for BR 752C NIL
- [5] - only for BR 752C NIL
- [6] - Item 3-5-13-17-22-25-27-28-31-30-33-36-43-45-46-47-48-50-51-52-53-54-62-77
only for BR 752C NIL
- [7] - Item 20-39-42-60-66-67-71
only for BR 752C NIL
- [8] - Item 32-41
- [9] - Item 58-30-23
only for BR 752C NIL
- [10] - NOT SHOWN - Item 1-2-6-8-10-11-12-15-18-19-24-29-37-38-40-78
only for BR 752C NIL

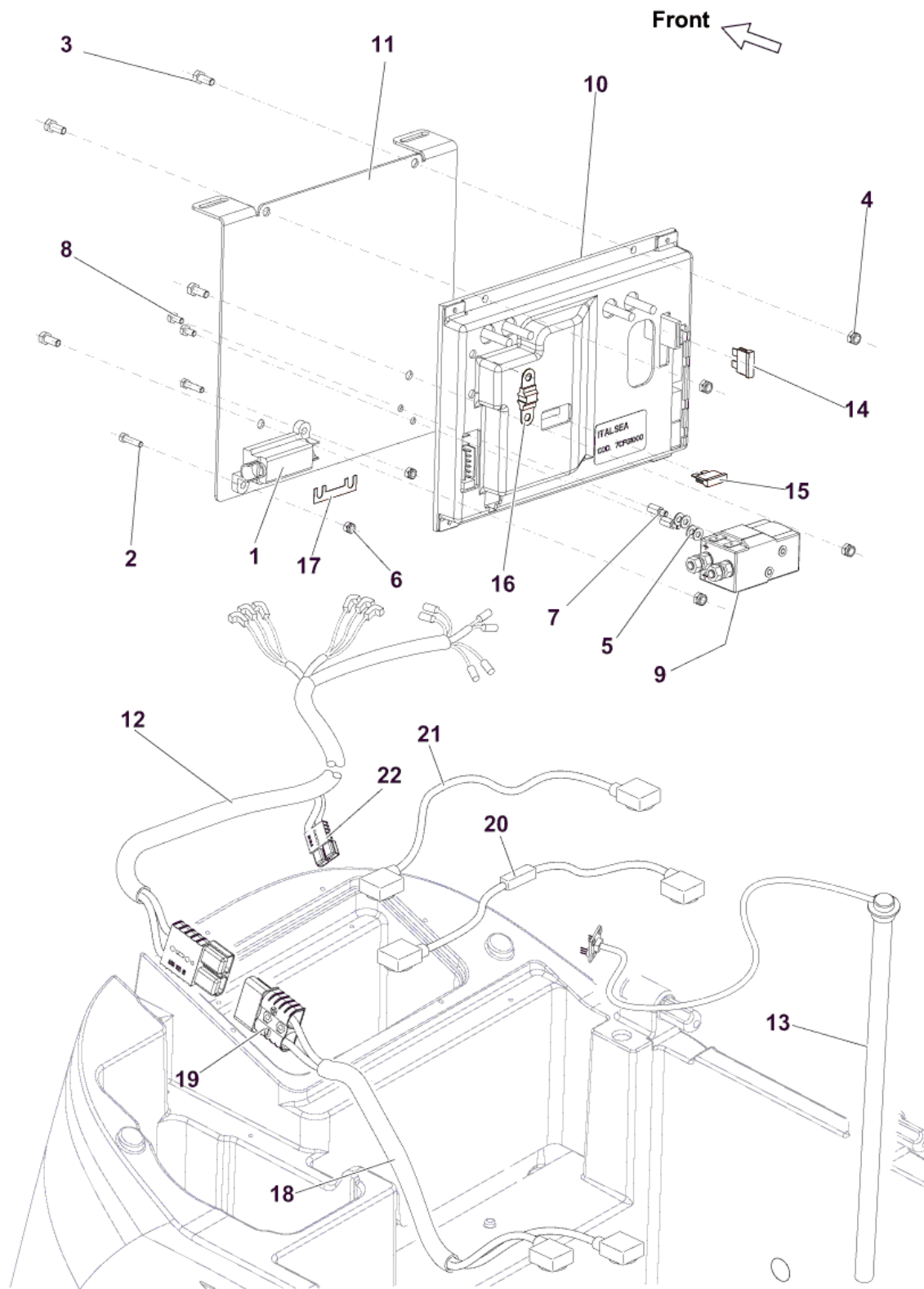


Resource notes:
83 - NOT SHOWN

Pos.	Artikel-Nr.	Menge	Variante	Notes
16	9098736000	4	ROLLER BUMPER KIT	[1]
21	9098658000	1	HARNESS CYL.DECK	[2]
21	9100002248	1	CONNECTOR 50A RED SIP	
23	56407551	2	Bürstenklaue zu BR 850/C	
26	909 6356 000	2	Flügelmutter Kit	
30	145 2361 000	6	Kugellager 6202-2RS1	
34	146 0708 000	2	Isolator weiß M6	
35	1467036000	8	KNOB LOBES M10 FEMALE SIP	
43	909 5728 000	2	Bürstenaufnahme	
44	909 5752 000	2	Deckgummi BA 750 SC	
48	909 5758 000	2	Ritzel	
49	909 5761 000	1	Rillenriemen 11J04838BA 600SC	
50	909 5762 000	2	ROLLER BELT TENSIONER	
51	9100002018	4	BEARING BALL 6201 2RS1 SIP	
55	909 5802 000	1	Motorabdeckung BR 751	
56	909 5803 000	1	Motorschutzgehäuse	
57	909 5964 000	2	Stellschraube	
59	909 6225 000	1	Grobschmutzbehälter BR751	
61	909 6595 000	1	Befestigungsset BR 611	
62	909 6730 000	2	PULLEY POLY-V	
63	909 6731 000	1	Riemen Poly-V BR 601	
64	909 6785 000	1	CRANKCASE.BELT PROTECTIONRIGHT	
65	909 6786 000	1	CRANKCASE.BELT PROTECTIONLEFT	
68	9099858000	2	MOTOR ELECTRIC 600W 24V KIT	
69	L08603949	2	Kohlenbürsten Kit 4pcs	
70	9097847000	1	FRAME CYLINDRICAL DECK 750	[3]
72	9097936000	1	PROTECTION CYL.BRUSH DECK 750	[2]
73	9097952000	1	SUPPORT CYL.DECK LEFT SIDE SKIRT	[2]
74	9097956000	1	SUPPORT CYL.DECK RIGHT SIDE SKIRT	[2]
75	9097959000	2	PLATE SIDE SKIRT CYL.DECK	[4]
76	9097960000	2	SKIRT SIDE CYL.DECK	[4]
79	9098734000	2	Getriebe Kompl. Walze	[5]
80	9098735000	1	PIPE WATER KIT	[6]
81	909 6354 000	1	Kabel mit 2 Splint	[7]
82	9098737000	2	Walzenbürste Halter Kit	[8]
83	9098738000	1	Befestigungskit	[9]

Part Notes:

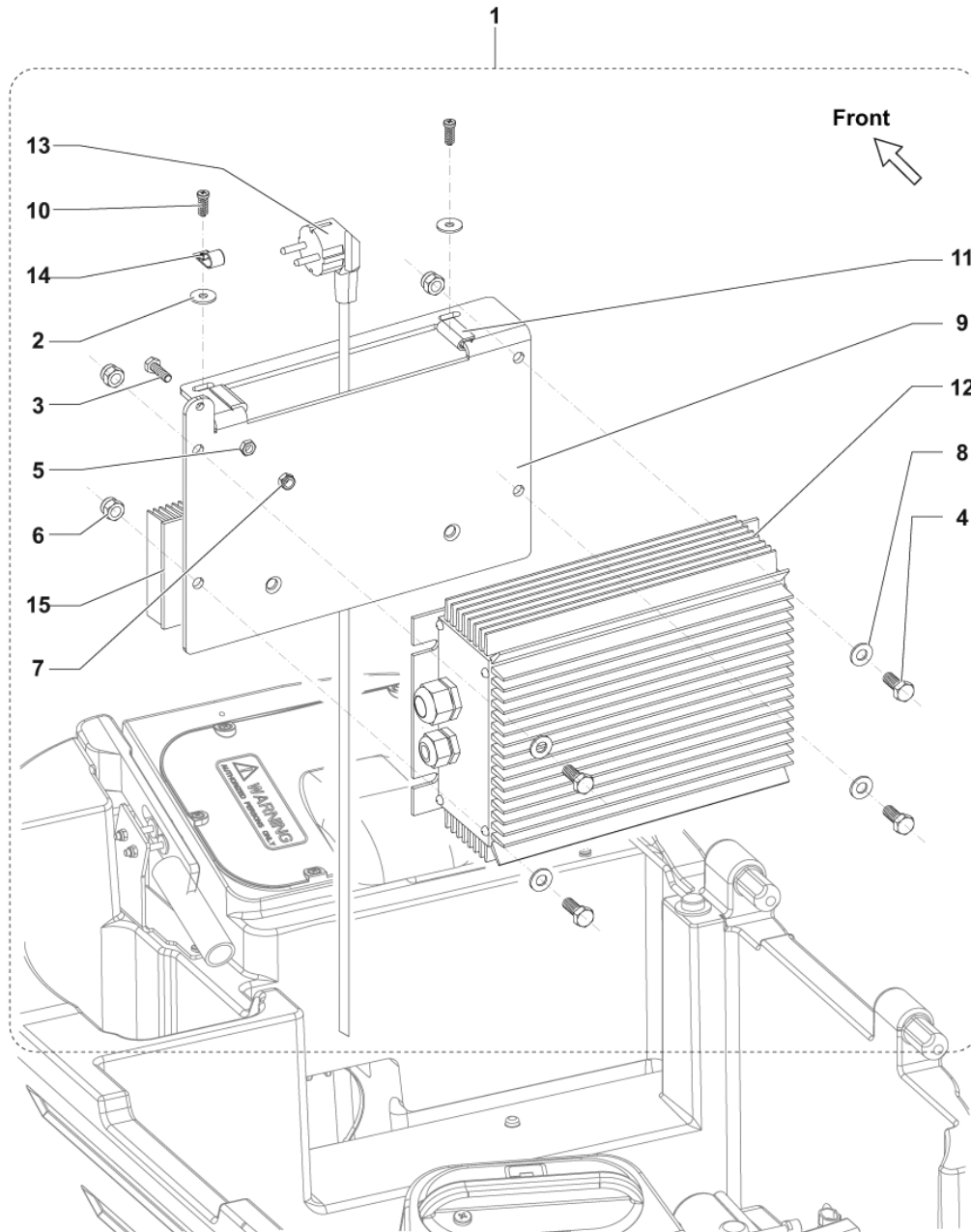
- [1] - Item 14-4-9-7
only for BR 752C NIL
- [2] - STOCK COVERS GUARANTEE
only for BR 752C NIL
- [3] - CHANGE TO EXTERNAL VENDOR
only for BR 752C NIL
- [4] - only for BR 752C NIL
- [5] - Item 3-5-13-17-22-25-27-28-31-30-33-36-43-45-46-47-48-50-51-52-53-54-62-77
only for BR 752C NIL
- [6] - Item 20-39-42-60-66-67-71
only for BR 752C NIL
- [7] - Item 32-41
- [8] - Item 23-33-58
only for BR 752C NIL
- [9] - NOT SHOWN - Item 1-2-6-8-10-11-12-15-18-19-24-29-37-38-40-78
only for BR 752C NIL



Pos.	Artikel-Nr.	Menge	Variante	Notes
1	145 8046 000	1	SicherungshalterG11-05000	
9	9097208000	1	Relais	
10	9100000183	1	CARD ELECTRONIC TRACTION/FUNCTIONS KIT	[1]
10	9100000024	1	CARD ELECTRONIC TRACTION KIT	[2]
11	9097860000	1	PLATE FIXING ELECTRONIC CARD	
12	9098190000	1	HARNESS EL.COMPON.BOX	[3]
12	9099681000	1	Kabelbaum	[4]
13	9100001447	1	SENSOR PRESSURE KIT	
14	9100000878	1	FUSE BLADE 3A PKD	
15	145 9853 000	1	Sicherung 15A	
16	9100000877	1	FUSE MIDIFUSE 100A PKD	
17	145 9854 000	1	Sicherung 50A	
18	9100001956	1	HARNESS BATTERY KIT	
19	9100002117	2	CONNECTOR RED 120A PKD	
20	9098526000	1	Basteriekabel	
21	9097590000	1	Batterieverbindungskabel	
22	9100002248	1	CONNECTOR 50A RED SIP	
23	9098739000	1	HARDWARE ELECTRIC COMPONENTS KIT	[5]

Part Notes:

- [1] - Only to mach with 9097834000 (Drive Wheel) - UNTIL S/N 3510133204430
- [2] - SEE TSB-FC-2013-117
STARTING FROMS/N 3510133204431
SEE INST. INSTR. 9100000100
- [3] - UNTIL S/N 3510122204473 - SEE TSB IT 2012-087
- [4] - STARTING FROM S/N 3510122204474 - SEE TSB IT 2012-087
- [5] - NOT SHOWN - Item 2-3-4-5-6-7-8



Resource notes:

FOR ITEMS 9099680000 - SEE TSB IT 2012-088 TSB IT 2012-088. New On Board Charger

BATTERY CHARGER

BR 752C

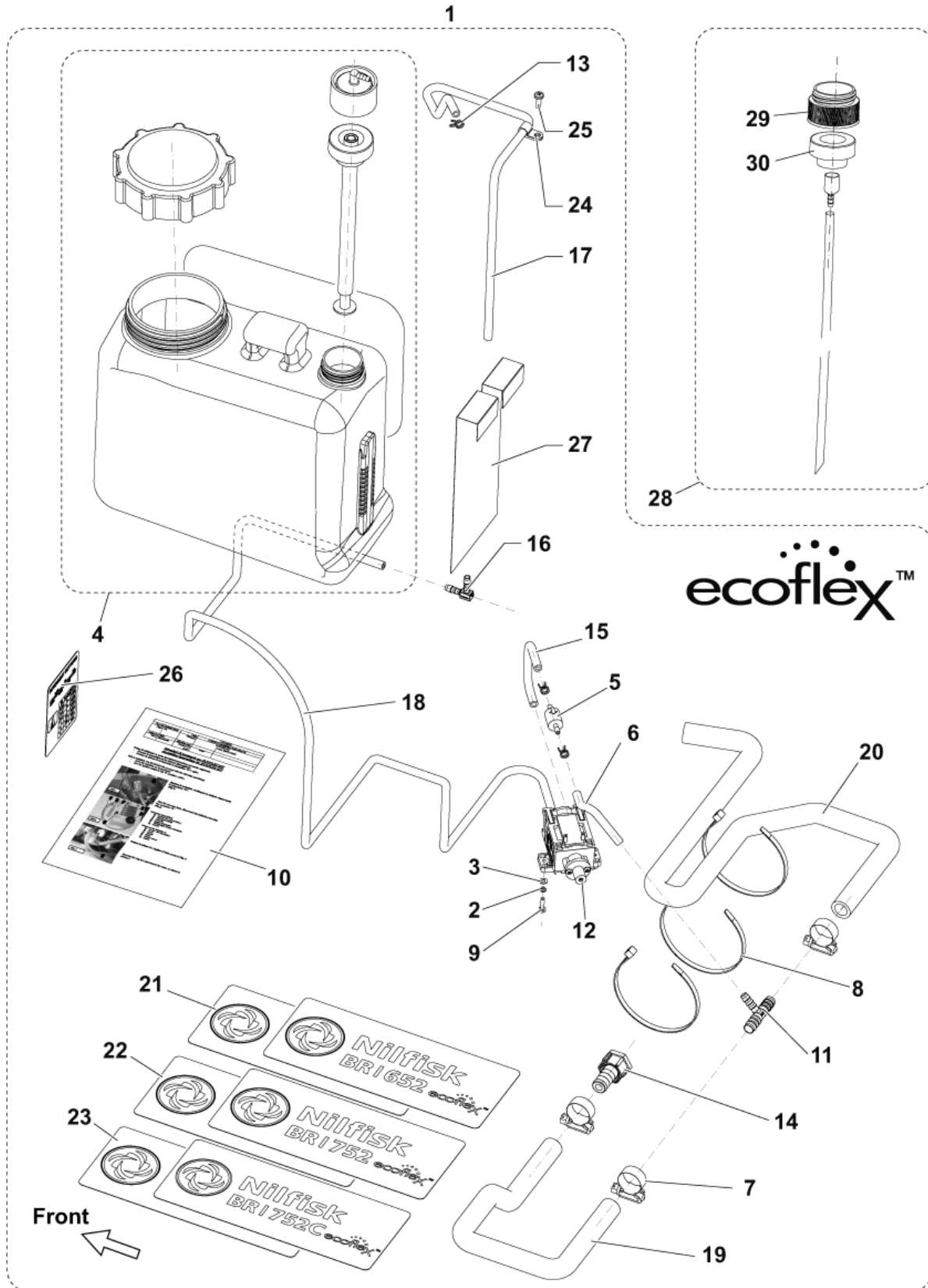
2015.05.19

2016.10.24

Pos.	Artikel-Nr.	Menge	Variante	Notes
1	9098198000	1	Einbauladegerät-Set 24V-20A 230V	[1]
9	9100000661	1	PLATE BATTERY CHARGER PKD	
12	9099680000	1	Einbauladegerät 24V-20A 230V	[2]
13	1466318000	1	CABLE EXTENSION UK PLUG L.2000MM SIP	
13	9100000787	1	CABLE EXTENSION EU PLUG L.2000 PKD	
15	9098859000	1	HEATSINK	

Part Notes:

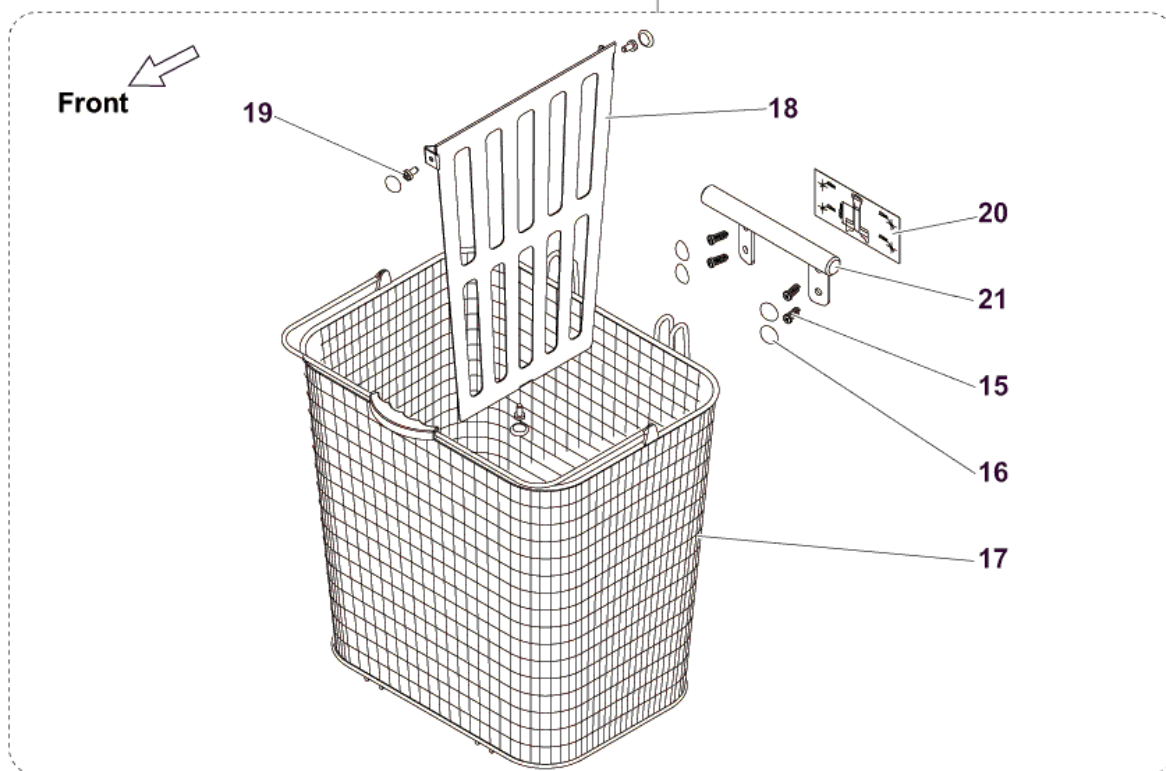
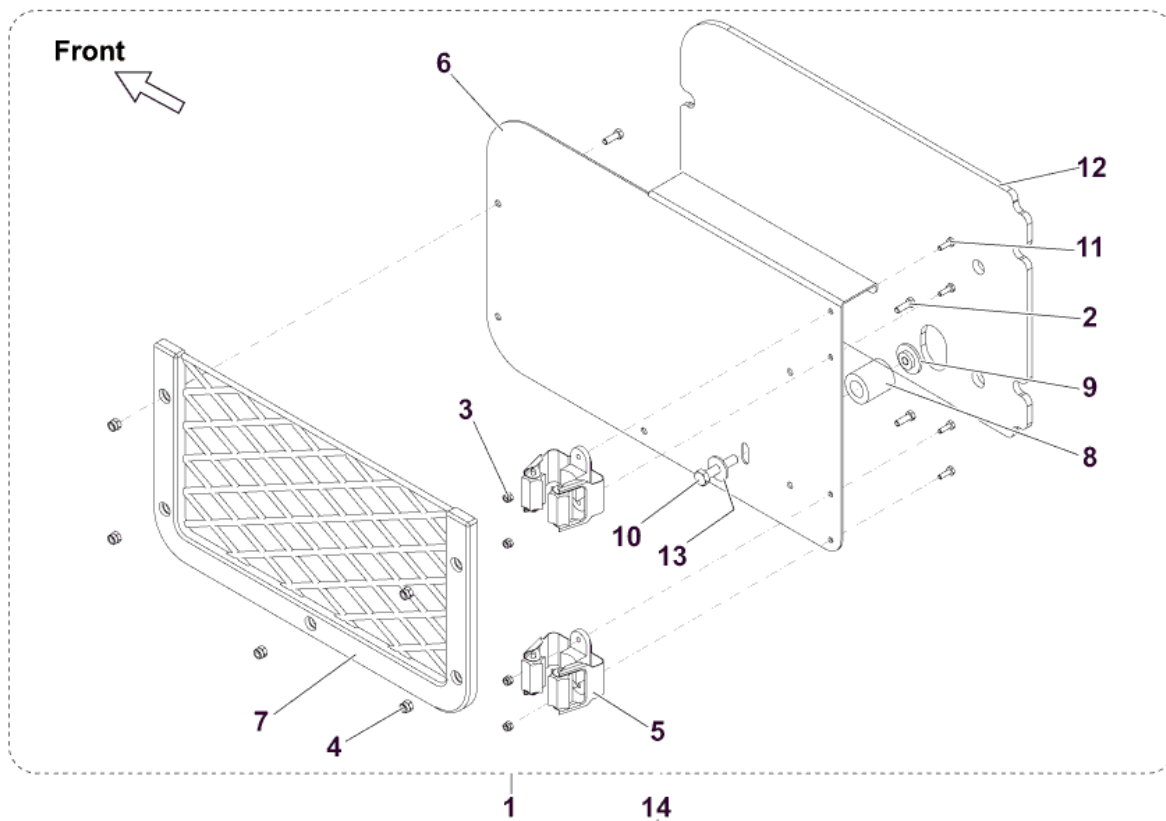
- [1] - Optional - See Inst.Instr. 9098215000
- [2] - SEE TSB IT 2012-088



Pos.	Artikel-Nr.	Menge	Variante	Notes
1	9097818000	1	Ecoflex-Set	[1]
4	909 6903 000	1	EDS-Behälter	
5	56315522	1	Rückschlagventil EDS	
12	9100001819	1	PUMP CHEMICAL MIX KIT	
28	9098025000	1	Reduzierstück f.	[2]
29	9097023000	1	Adapter f. Chemie Tank	
30	9097022000	1	Niveaufühler	
31	9099948000	1	HOSES ECOFLEX SYSTEM KIT	[3]

Part Notes:

- [1] - Optional - Inst.Instr. 9098219000
- [2] - Optional
- [3] - NOT SHOWN - Item 2-6-7-8-11-13-14-15-16-17-18-19-20-24-25



MOP AND TRASH KIT - BASKET KIT

BR 752C

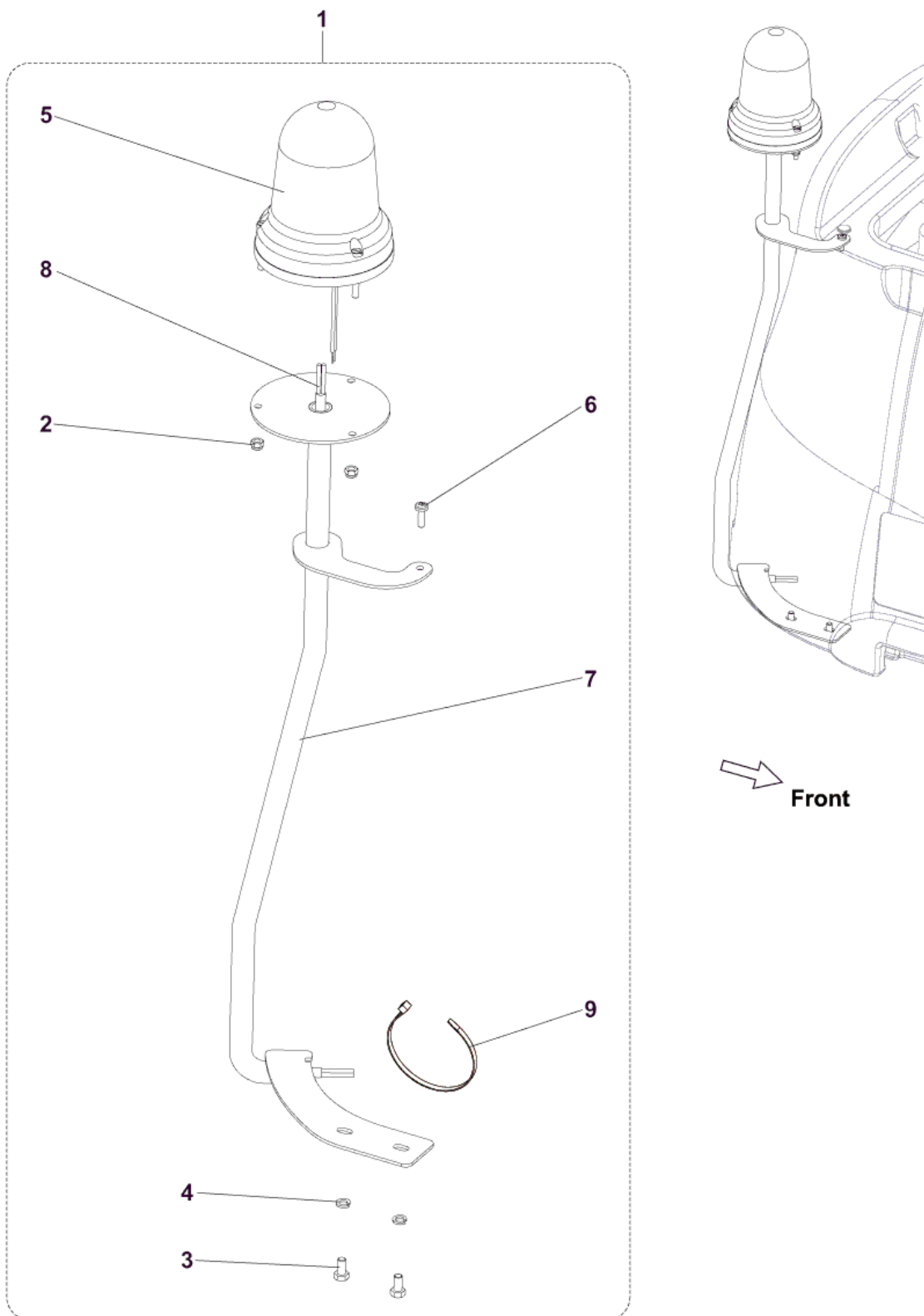
2015.05.19

2016.10.24

Pos.	Artikel-Nr.	Menge	Variante	Notes
1	9097815000	1	Mop und Schmutzbehälter	[1]
5	9100002118	2	HOLDER BROOM SIP	
7	9097947000	1	NET DOCUMENT HOLDER	
14	9098480000	1	Ablagekorb-Set	[1]
17	9098250000	1	BASKET	

Part Notes:

[1] - Optional



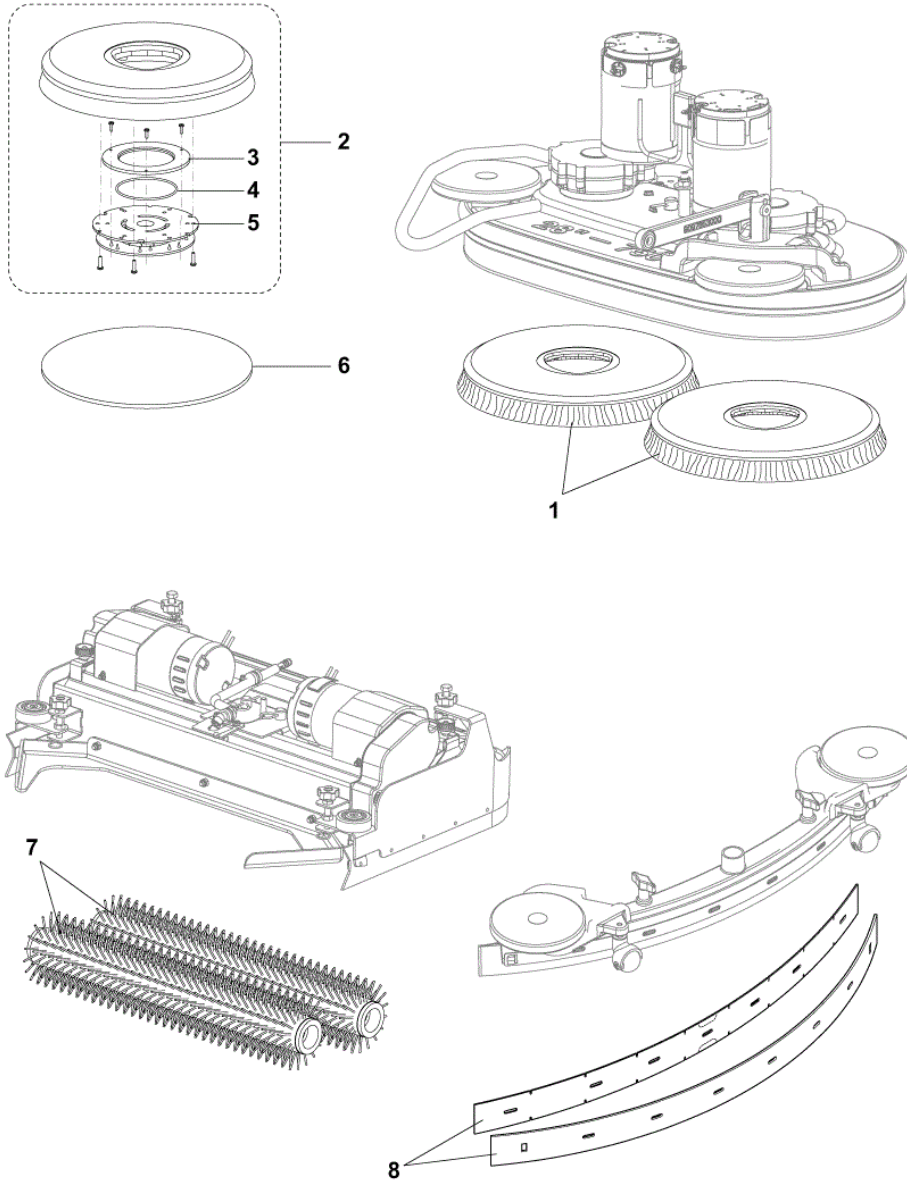
Resource notes:

10 - NOT SHOWN

Pos.	Artikel-Nr.	Menge	Variante	Notes
1	9098164000	1	Rundumleuchte	[1]
5	33023155	1	Rundumleuchte	
10	9098772000	1	Schalldämpfer-Set	[2]

Part Notes:

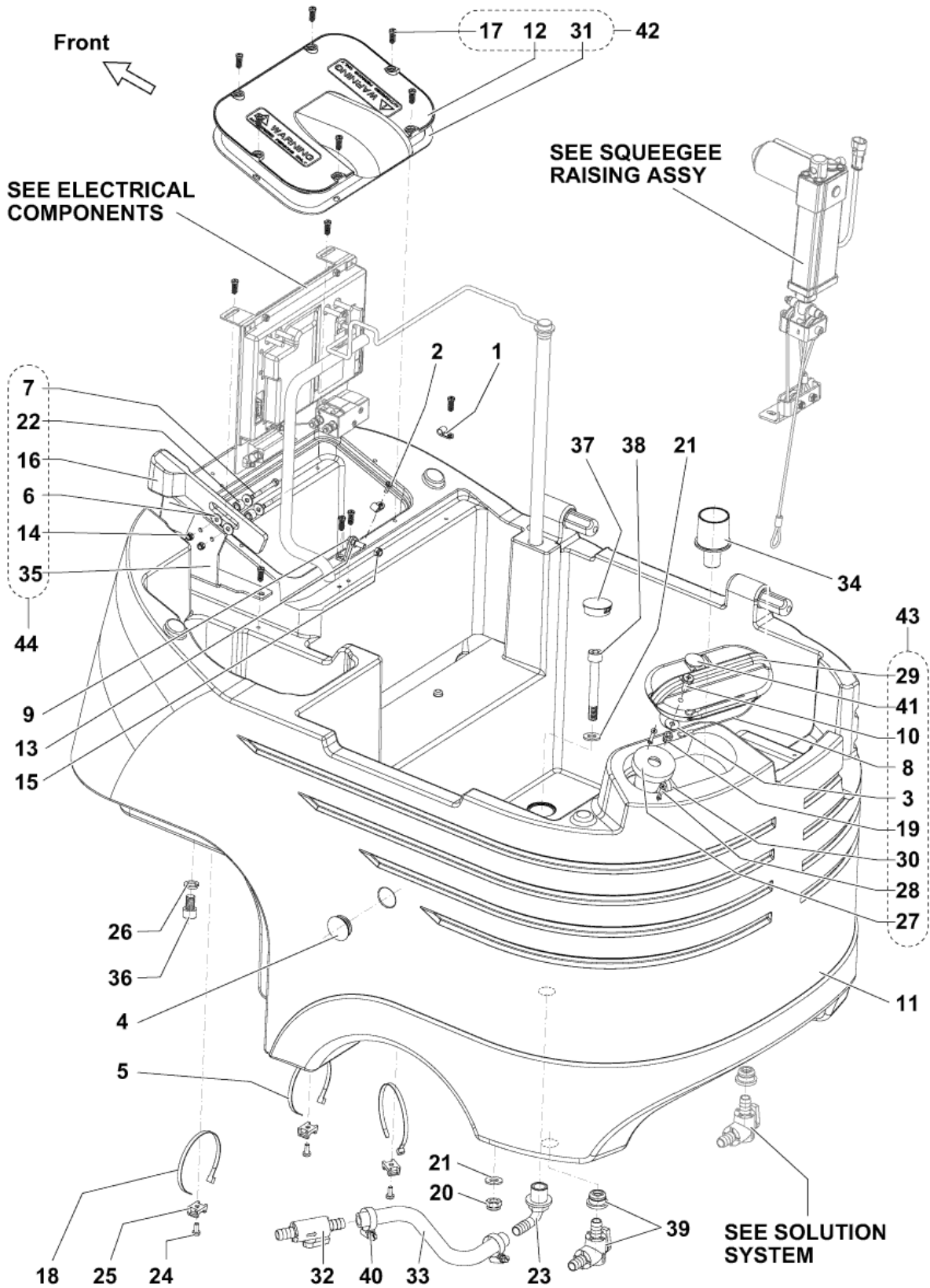
- [1] - Optional
- [2] - Optional - Inst.Instr. 9098773000



Pos.	Artikel-Nr.	Menge	Variante	Notes
1	909 5336 000	2	Bürste Mid Grit 180, Ø 330 mm	[1]
1	909 5333 000	2	Bürste Prolene, hart, Ø 370 mm	[1]
1	909 5340 000	2	Bürste Union Mix, Ø 330 mm	[1]
1	909 5335 000	2	Bürste Mid Grit 240, Ø 370 mm	[1]
1	909 5338 000	2	Bürste Prolite, weich, Ø 330 mm	[1]
1	909 5332 000	2	Bürste Prolene, hart, Ø 330 mm	[1]
1	909 5337 000	2	Bürste Mid Grit 180, Ø 370 mm	[1]
1	909 5339 000	2	Bürste Prolite, weich, Ø 370 mm	[1]
1	909 5334 000	2	Bürste Mid Grit 240, Ø 330 mm	[1]
2	909 5330 000	2	Padhalter Ø 330 mm, 13"	[1]
2	909 5331 000	2	Padhalter Ø 355 mm, 14"	[1]
3	L08603936	1	RING NYLON	
4	L08603965	1	SEAL O-RING	
5	56505195	1	Padverschluss m. Spange	
6	10001915	2	Eco Pad 13", Ø 330 mm, weiß, VPE 5	[1]
6	10001921	2	Eco Pad 14", Ø 355 mm, weiß, VPE 5	[1]
6	10001912	2	Eco Pad 13", Ø 330 mm, braun, VPE 5	[1]
6	10001919	2	Eco Pad 14", Ø 355 mm, grün, VPE 5	[1]
6	10001918	2	Eco Pad 14", Ø 355 mm, braun, VPE 5	[1]
6	10001917	2	Eco Pad 14", Ø 355 mm, blau, VPE 5	[1]
6	10001916	2	Eco Pad 14", Ø 355 mm, schwarz, VPE 5	[1]
6	10001920	2	Eco Pad 14", Ø 355 mm, rot, VPE 5	[1]
6	10001914	2	Eco Pad 13", Ø 330 mm, rot, VPE 5	[1]
6	10001911	2	Eco Pad 13", Ø 330 mm, blau, VPE 5	[1]
6	10001910	2	Eco Pad 13", Ø 330 mm, schwarz, VPE 5	[1]
7	56412192	2	Bürstenwalze Nylon, hart, Naturborsten	[1]
7	56412046	2	Bürstenwalze PP, rot	[1]
7	56412193	2	Bürstenwalze Sica Grit 180, blau/grau	[1]
8	9099211000	1	Absaugleisten-Set, rot	[1]
8	9097804000	1	Sauglippen-Set 890 mm, 35"	[1]

Part Notes:

[1] - OPTIONAL



Pos.	Artikel-Nr.	Menge	Variante	Notes
4	33023302	2	CAP BLACK SIP	
11	9100001582	1	TANK SOLUTION GREY PKD	
23	909 6087 000	3	Verbindung	
27	9100000703	1	Füllschlauch	[1]
32	9098173000	1	VALVE 1/2-1/2	
33	9098175000	1	HOSE PVC W/SPIRAL D12X18 L.270MM PKD	
34	9098224000	1	Adapter Frischwassertank	
39	9097626000	1	Winkelventilkit	
42	9098707000	1	COVER ELECTRONIC CARD KIT	[2]
43	9098709000	1	Kappe Frischwassertank	[3]
44	9098710000	1	LEVER BATTERY DEACTIVATION KIT	[4]
45	9098711000	1	HARDWARE SOLUTION TANK KIT	[5]

Part Notes:

- [1] - SEE TSB-FC-2016-020
- [2] - Item 17-12-31
- [3] - Item 29-41-10-8-3-30-19-28-27
- [4] - Item 35-14-6-16-22-7
- [5] - NOT SHOWN - Item 1-2-24-25-18-5-15-13-9-17-26-36-37-38-21-20-40

RECOMMENDED SPARE PARTS

BR 752C

2014.11.27

2017.03.31

Pos.	Artikel-Nr.	Menge	Variante	Notes
WP	9098716000	1	Kohlenbürste Kit	
WP	9099855000	1	Sauglippen-Set PU 890 mm	
WP	909 5224 000	1	Spritzgummi	
WP	909 5345 000	1	Spritzgummi BA 750L=1600mm	
WP	9097960000	2	SKIRT SIDE CYL.DECK	
OM	910000703	1	Füllschlauch	
OM	9100001890	1	HOSE DRAIN BLACK PKD	
OM	9098169000	1	Saugschlauch	
OM	9098172000	1	Dichtung Deckel	
OM	9098407000	1	Antriebsrad	
OM	9098627000	1	Kohlenbürste Kit	
OM	9098115000	1	Wasserfilter Kit	
OM	9099163000	2	Lenkrolle D42	
OM	9100000772	2	WHEEL D.254 80SH GREY PKD	
OM	909 5380 000	2	Kohlebürste Kit	[1]
OM	909 5761 000	1	Rillenriemen 11J04838BA 600SC	
OM	909 6731 000	1	Riemen Poly-V BR 601	
OM	L08603949	2	Kohlenbürsten Kit 4pcs	
OM	9098734000	2	Getriebe Kompl. Walze	
EOM	9098224000	1	Adapter Frischwassertank	
EOM	9098709000	1	Kappe Frischwassertank	
EOM	9100001152	1	MICROSWITCH PKD	
EOM	9099929000	1	SAUGMOTOR 3ST 24V 420W KOMPLETT	
EOM	9098177000	1	Halteseil	
EOM	909 6380 000	1	Schlauchklammer BR 601BR 751	
EOM	9097796000	1	Lenksaule HÖheinstellung	
EOM	9100001420	1	PEDAL SPEED CONTROL SIP	
EOM	9100000178	1	CARD ELECTRONIC FUNCTIONS KIT	
EOM	9097986000	1	Aufkleber Bedienfeld	
EOM	9100001354	1	SWITCH KEY WITH CAP PKD	
EOM	146 2887 000	1	Schlüssel (2 Stück)	
EOM	9097792000	1	Verbindungskabel	
EOM	9098094000	1	Kabelbaum Lenksaule	
EOM	9098430000	1	Kabelbaum Kit Antriebsrad	
EOM	9098626000	1	Bremse, Elektromagnetisch	
EOM	9100002163	1	MOTOR ELECTRIC 300W 24V KIT	
EOM	909 6555 000	1	Magnetventil 24 V	
EOM	9098380000	1	Befestigungsleiste	
EOM	9098381000	1	STRAP SKIRT REAR RIGHT 35 INC.	
EOM	9098382000	1	Spannverschluss	
EOM	9098390000	1	SUPPORT SQUEEGEE DOWN	
EOM	9097827000	1	SUPPORT SQUEEGEE UPPER	
EOM	9100001090	2	ROD EYE M10 PKD	
EOM	9100000682	1	ACTUATOR LINEAR 24V DC STRK 100MM PKD	
EOM	9098708000	1	SQUEEGEE LIFTING KIT	
EOM	9098722000	1	CENTRING SQUEEGEE KIT	
EOM	909 6394 000	1	Verschluss BA 451	
EOM	1466146000	2	KEY 5X5X25 UNI6604A PKD	
EOM	9100001657	2	REDUCTION GEARMOTOR 400W 24V KIT	
EOM	9097640000	1	Bürstenhalter Kompl. Re.	
EOM	9097639000	1	HOLDER POLYGONAL LEFT 650	
EOM	9097850000	1	Federdämpfer Schrubbdeck	
EOM	9100000681	1	ACTUATOR LINEAR 24V DC STRK 66MM PKD	
EOM	9097851000	1	Zentrierfeder	
EOM	9097813000	1	Führung	
EOM	9100000683	1	ACTUATOR LINEAR 24V DC STRK 46MM PKD	
EOM	909 6356 000	2	Flügelmutter Kit	
EOM	9099858000	2	MOTOR ELECTRIC 600W 24V KIT	
EOM	9098737000	2	Walzenbürste Halter Kit	

RECOMMENDED SPARE PARTS

BR 752C

2014.11.27

2017.03.31

Pos.	Artikel-Nr.	Menge	Variante	Notes
EOM	9097208000	1	Relais	
EOM	9100000024	1	CARD ELECTRONIC TRACTION KIT	
EOM	9100001447	1	SENSOR PRESSURE KIT	
EOM	9100000878	1	FUSE BLADE 3A PKD	
EOM	145 9853 000	1	Sicherung 15A	
EOM	9100000877	1	FUSE MIDIFUSE 100A PKD	
EOM	145 9854 000	1	Sicherung 50A	
EOM	9100002117	1	CONNECTOR RED 120A PKD	
EOM	9099680000	1	Einbauladegerät 24V-20A 230V	
EOM	9100000787	1	CABLE EXTENSION EU PLUG L.2000 PKD	
EOM	9098658000	1	HARNESS CYL.DECK	[1]
EOM	9098374000	1	Kabelbaum für Bürstendeck	

Part Notes:

[1] - STOCK COVERS GUARANTEE

