



☎@07351-5758060

kontakt@nilfisk-alto-shop.com



Preisabfrage bzw. Bestellungen der Artikel im Shop unter

www.nilfisk-alto-shop.com

einfach die Artikelnummer in die Suchmaske eingeben

(Bitte die Artikelnummer ohne Leerzeichen eingeben)

PARTS LIST

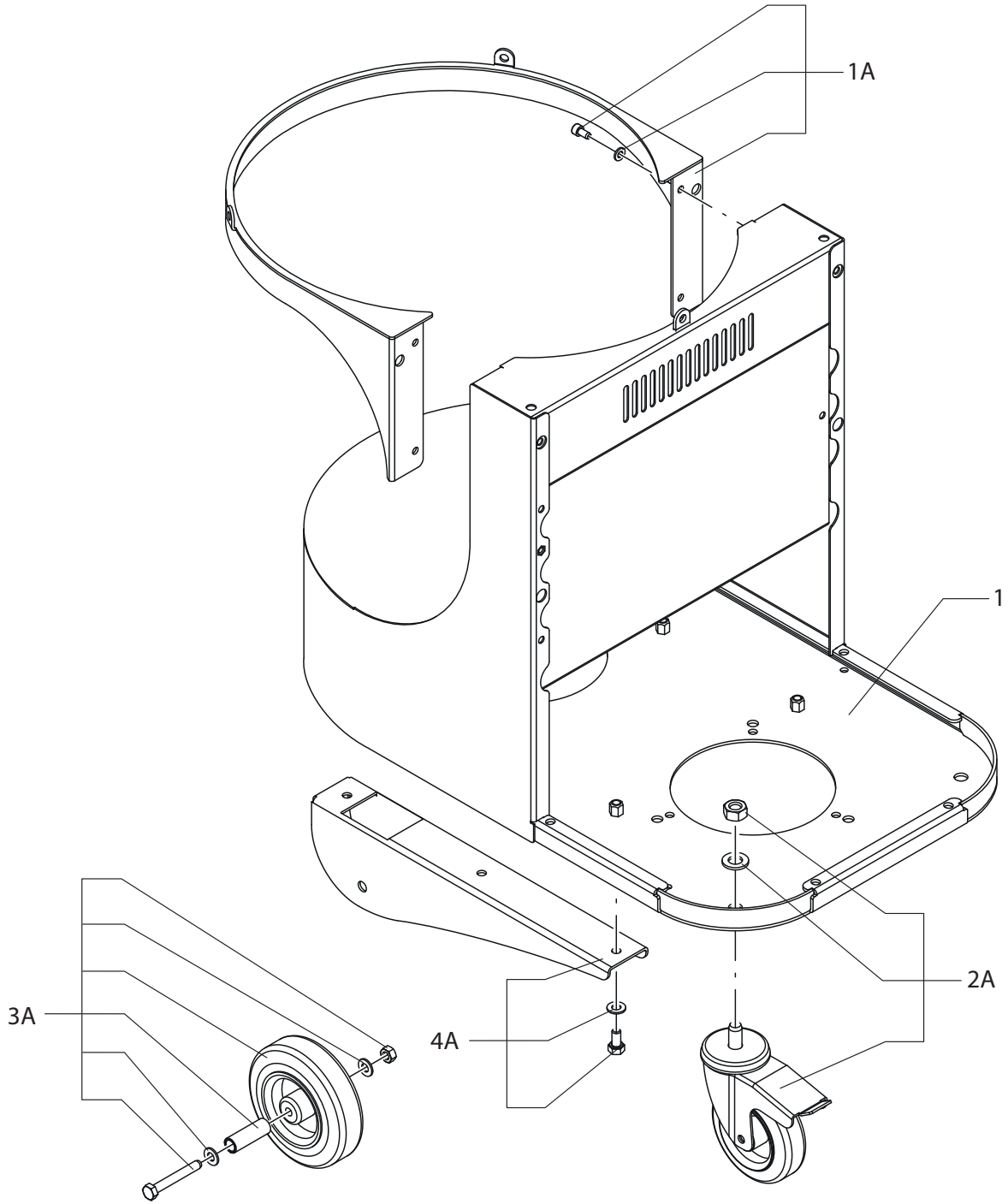
2022.01.20

www.nilfisk-cfm.com



TABLE OF CONTENTS

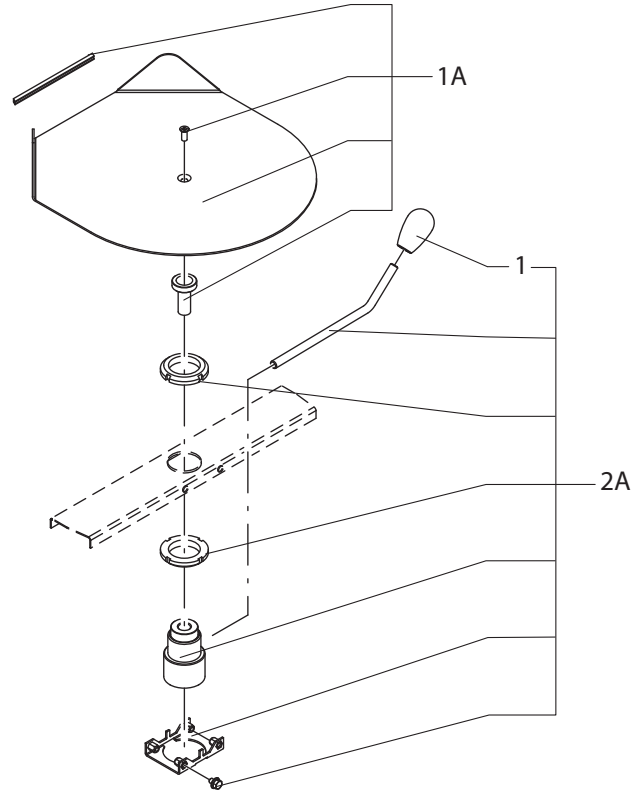
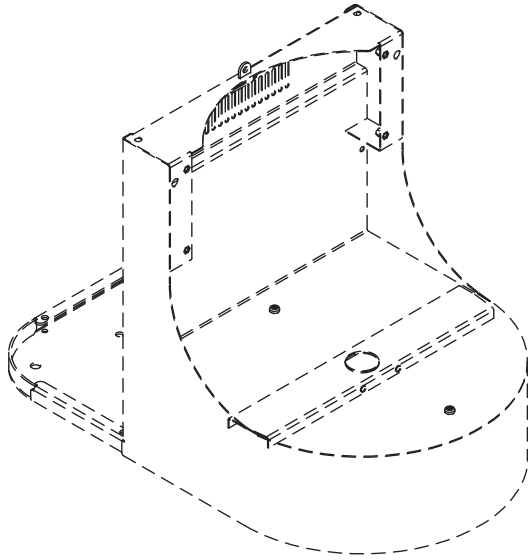
L200 - 1 - CAR	1
L200 - 2 - CAR	3
L200 - 3 - CAR	5
L200 - 4 - CONTAINER UNIT	7
L200 - 5 - FILTER GROUP	9
L200 - 6 - BACKWASH GROUP	11
L200 - 7 - FILTER GROUP	13
L200 - 8 - SHAKER UNIT	15
L200 - 9 - SUCTION UNIT	17
L200 - 10 - ELECTRIC SYSTEM	19
L200 - 11 - L/M/H & ATEX LABEL	21



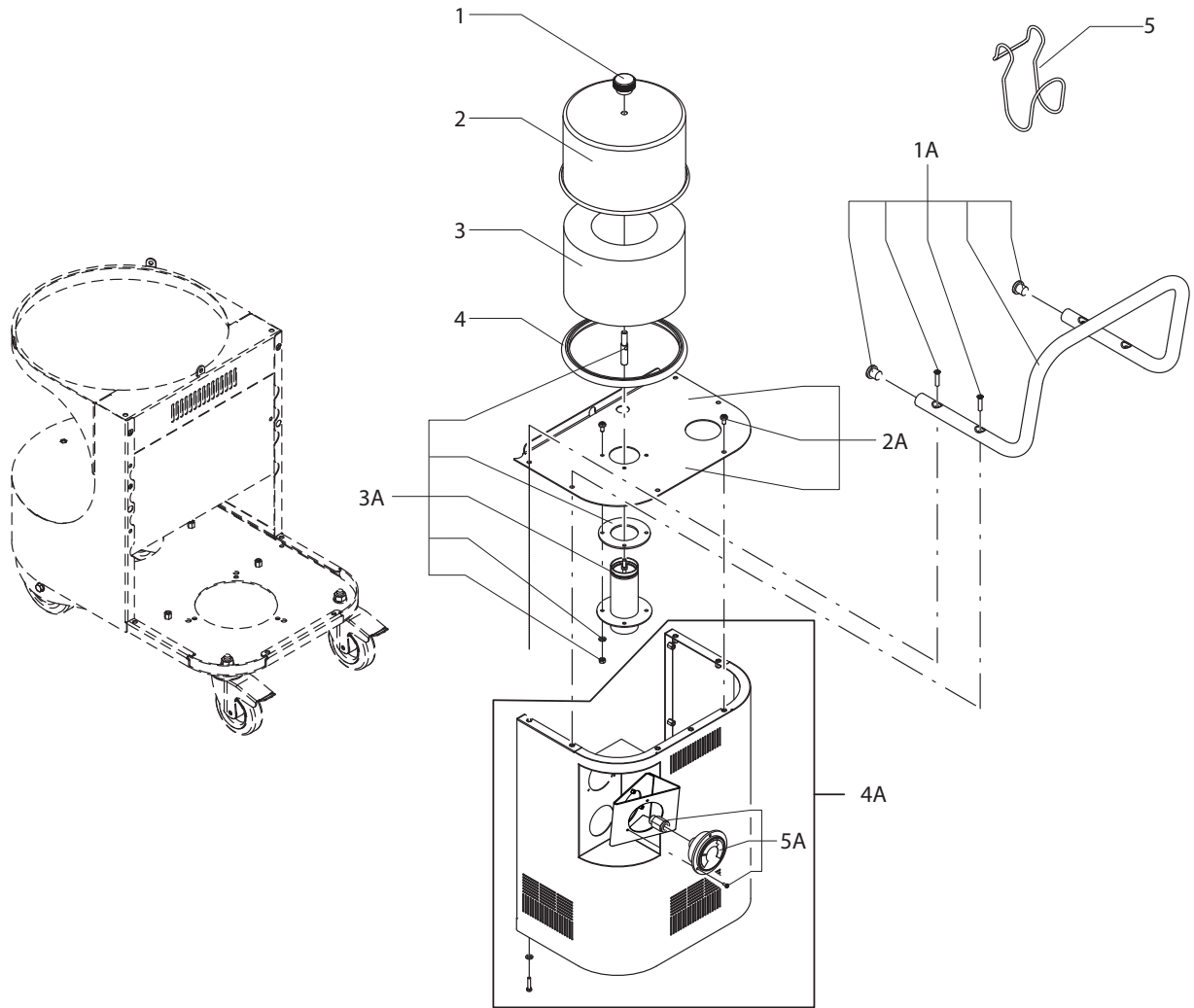
Pos.	Artikel-Nr.	Menge	Variante	Notes
1	4083600759	1	MODULAR BASE HORIZONTAL R9003 MOD.VHW	
1	4083600760	1	MODULAR BASE HORIZONTAL SS MOD.VHW	[1]
1A	4089100473	1	BAND FOR THE FILTER CHAMBER KIT VHW420	
1A	4089100474	1	BAND FOR THE FIL. CHAMBER KIT VHW420 SS	
2A	4089100419	1	REVOLV. CASTOR KIT	
3A	4089100418	1	FIX WHEEL KIT	
4A	4089100356	1	SUPPORTS KIT FOR FIXED WHEELS	
4A	4089100391	1	SS SUPPORTS KIT FOR FIXED WHEELS	

Part Notes:

[1] - CONTACT PM IN ZOCCA



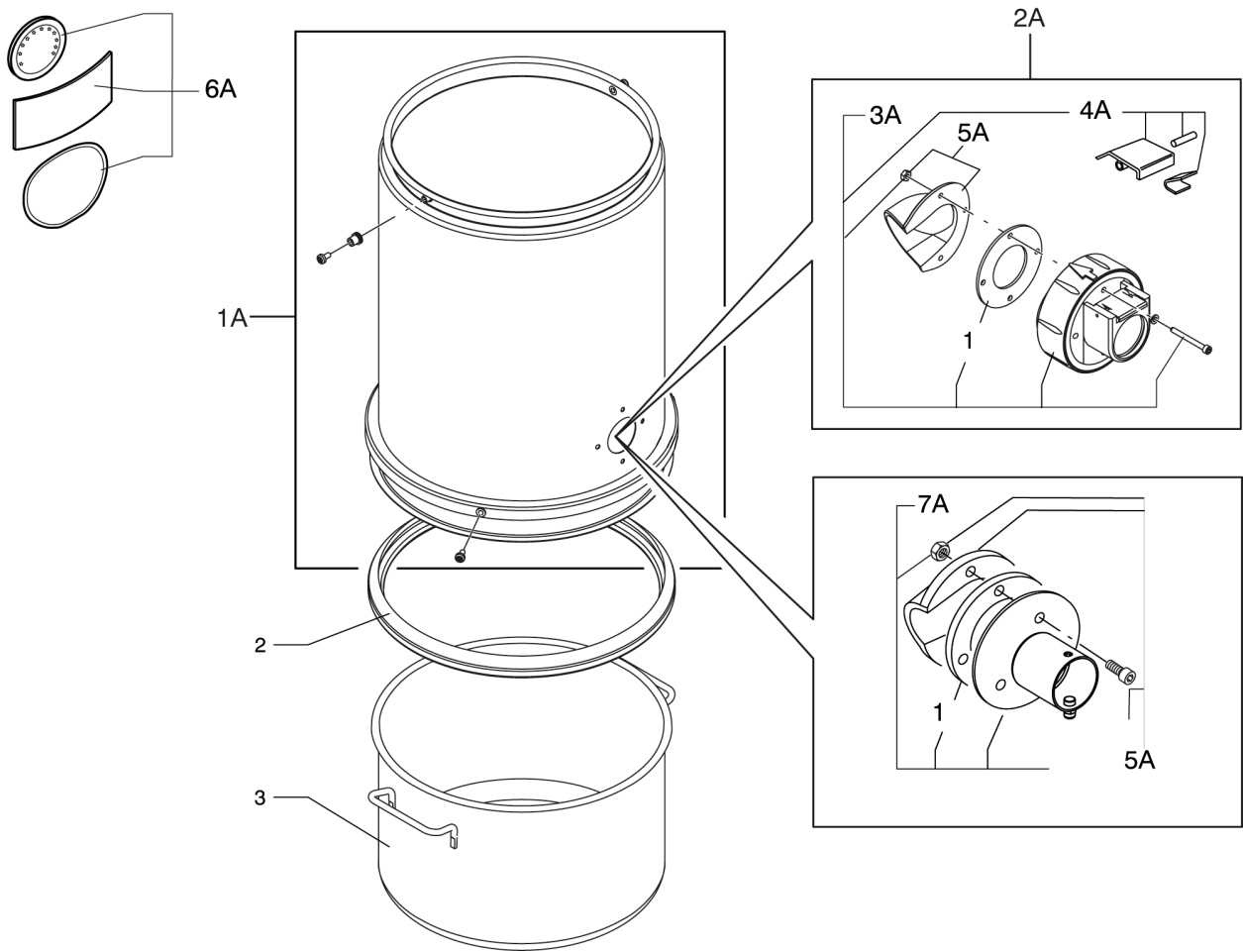
Pos.	Artikel-Nr.	Menge	Variante	Notes
1	4084001148	1	Sterngriff ohne Loch	
1A	4089100475	1	CONTAINER SUPPORT KIT VHW420	
1A	4089100476	1	CONTAINER SUPPORT KIT VHW420 SS	
2A	4089100477	1	CONTAINER LIFTING KIT VHW420	
2A	4089100478	1	CONTAINER LIFTING KIT VHW420 SS	



Pos.	Artikel-Nr.	Menge	Variante	Notes
1	4084001146	1	Sterngriff ohne Loch	
2	4083000751	1	DIFFUSER CONTAINER D250X142	
2	4083000752	1	DIFFUSER CONTAINER D250X142 SS	[1]
3	4081701082	1	SOUND-PROOF DIFFUSER VHW420	
3	4081701076	1	ABSOLUTE FILTER D220 x 150 H14 VHW	
4	4081701092	1	SEAL SILICONE	
5	82219800	1	Netzkabelhacken	
5	4081600745	1	Netzkabelhacken	
1A	4089100479	1	HANDLE KIT VHW420	[1]
1A	4089100483	1	HANDLE KITVHW420 SS	[1]
2A	4089100480	1	CARTER TOP CLOSURE KIT VHW420	[1]
2A	4089100484	1	CARTER TOP CLOSURE KIT VHW420 SS	[1]
3A	4089100481	1	ABSOLUTE FILTER ASSEMBLY KIT VHW420	
3A	4089100485	1	ABSOLUTE FILTER ASSEMBLY KIT VHW420 SS	
4A	4089100482	1	BOTTOM CLOSURE COVER KIT VHW420	[1]
4A	4089100486	1	BOTTOM CLOSURE COVER KIT VHW420 SS	[1]
5A	40000969	1	3000 VACUUM GAUGE KIT	

Part Notes:

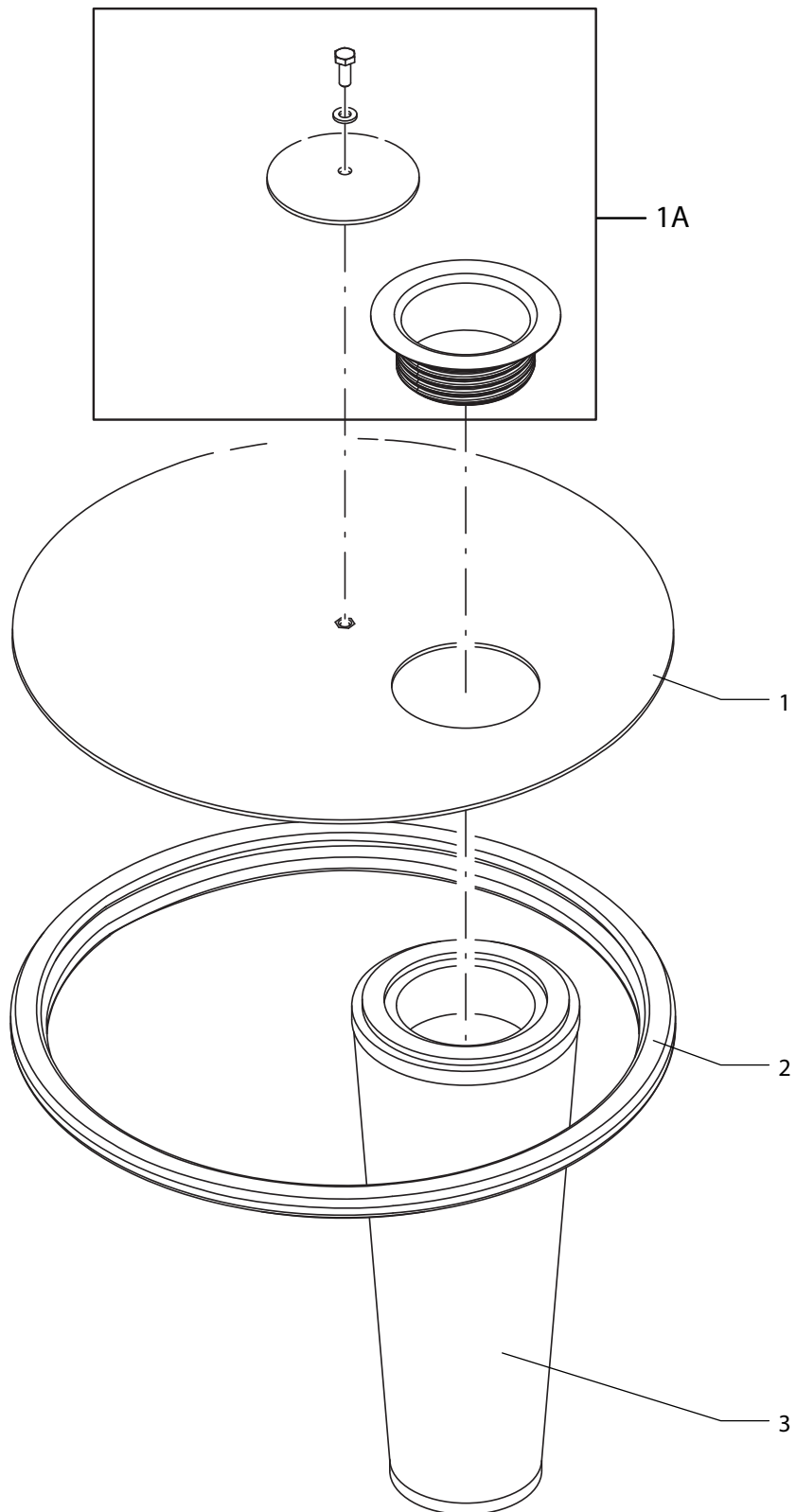
[1] - CONTACT PM IN ZOCCA



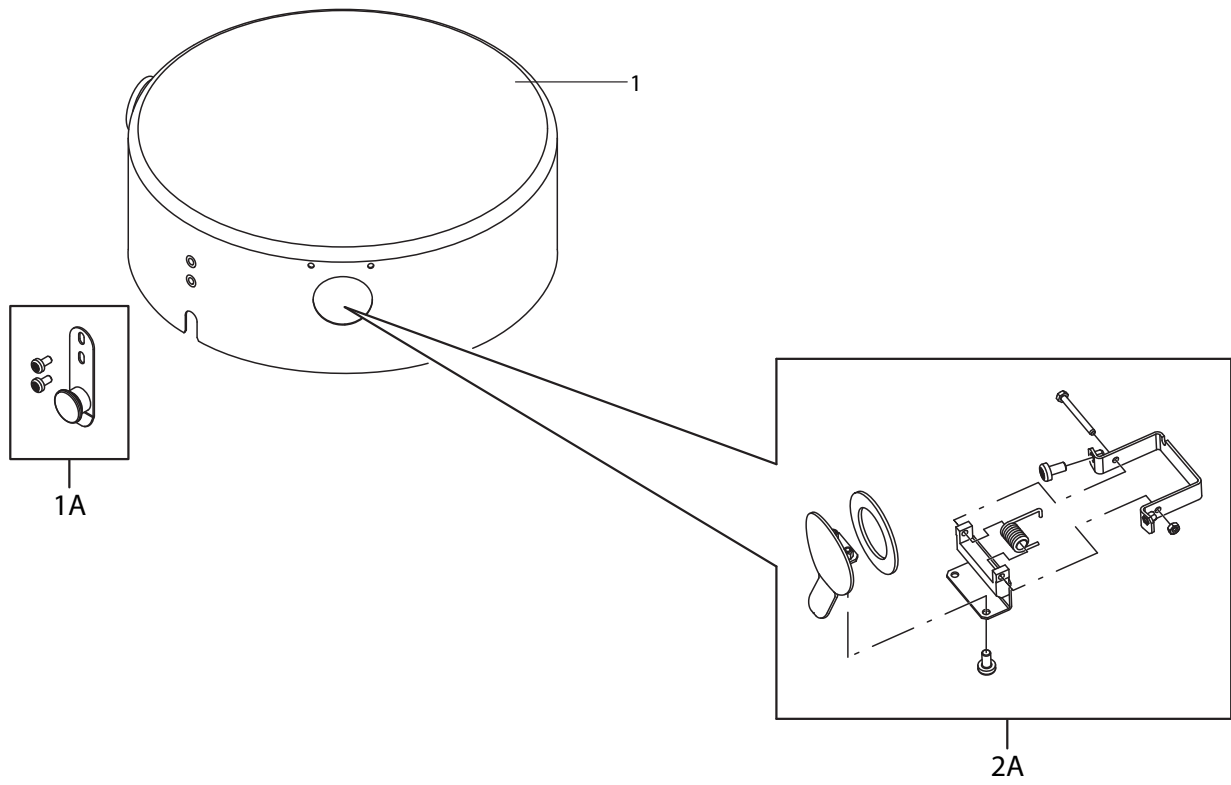
Pos.	Artikel-Nr.	Menge	Variante	Notes
1	Z8 17006	1	Dichtungsring D70	
2	Z8 17075	1	Dichtung für Behälter	
2	Z8 17227	1	FILT.CHAMBER SEAL D460 SILICONE	
3	4083000748	1	CONTAINER D.452X285	
1A	4089100487	1	FILTER CHAMBER KIT VHW420	
1A	4089100488	1	SS FILTER CHAMBER KIT VHW420	
2A	4089100538	1	INLET FULL KIT VHW420 Z22	[1]
3A	4089100491	1	Kesselanschluss 70 VHW420	
4A	4089100492	1	KIT HOSE VHW420 421	
5A	40000416	1	KIT DEFLECTOR D70 INOX MOD.A17	
6A	4089100495	1	LABEL KIT VHW420	[1]
7A	4089100929	1	Umrüstsatz D70 auf ATEX kpl.	

Part Notes:

[1] - CONTACT PM IN ZOCCA



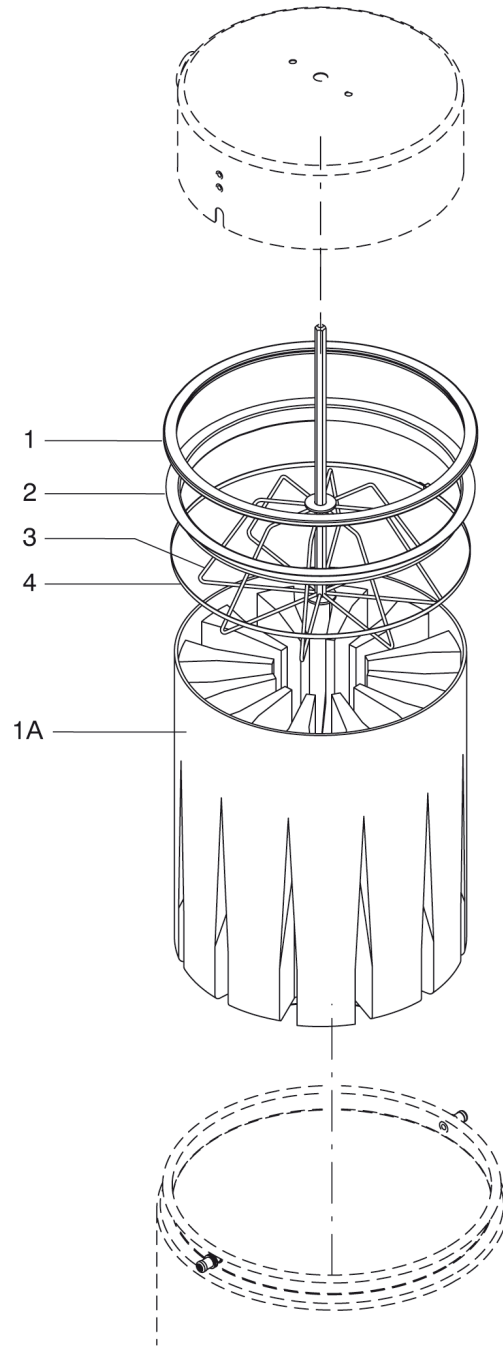
Pos.	Artikel-Nr.	Menge	Variante	Notes
1	4081500237	1	CARTRIDGES FIXING DISC FE MOD.VHW420-421	
1	4081500238	1	CARTRIDGES FIXING DISC SS MOD.VHW420-421	
2	4081701093	1	FILTER SEAL PF D450 SBR BLACK VHW420-421	
2	4081701094	1	FILTER SEAL PF D450 SILICONE VHW420-421	
3	4081701020	4	Filterpatrone D120X300	
1A	4089100496	1	FILTER FIXING KIT VHW420	
1A	4089100497	1	SS FILTER FIXING KIT VHW420	



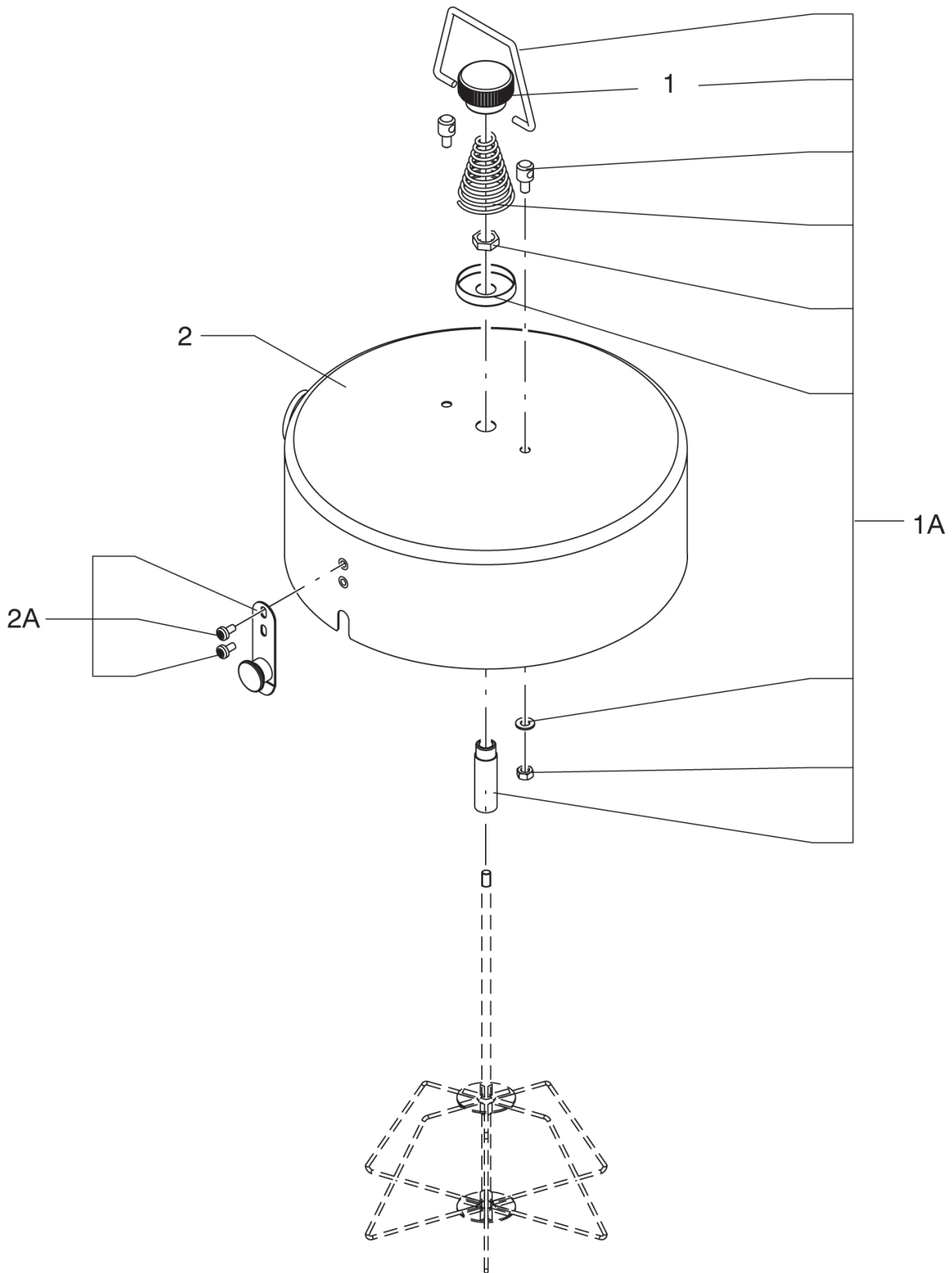
Pos.	Artikel-Nr.	Menge	Variante	Notes
1	4083101309	1	COVER D460 X CARTRIDGES	
1	4083101310	1	COVER D460 X CARTRIDGES SS	[1]
1A	4089100517	1	CAP CLOSURE LEVER KIT VHW320 420 Z22	
2A	4089100366	1	PULLCLEAN KIT	
2A	4089100369	1	SS PULLCLEAN KIT	

Part Notes:

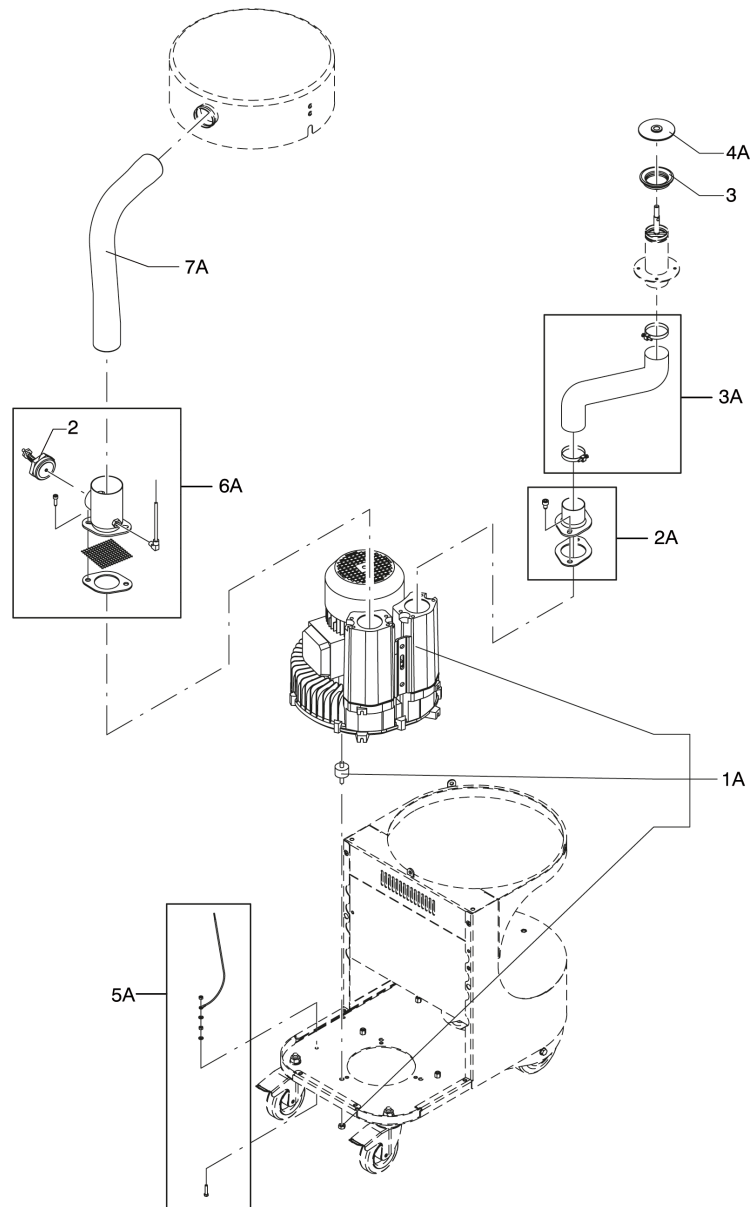
[1] - CONTACT PM IN ZOCCA



Pos.	Artikel-Nr.	Menge	Variante	Notes
1	4081701093	1	FILTER SEAL PF D450 SBR BLACK VHW420-421	
1	4081701094	1	FILTER SEAL PF D450 SILICONE VHW420-421	
2	4081500260	1	FILT. HOLDER RING D450 FE VHW421 STAR F.RING	
2	4081500256	1	INOXIDABLE RING	
3	8 33072	1	STAR CAGE	
3	8 33076	1	SS STAR CAGE	
4	8 18079	1	460MM FILTER HOLDER	
4	4081801387	1	FILTER BLOCK TIE D460 SS AISI304	
1A	40000425	1	Sternfilter Ø460mm Polyester, antistat	



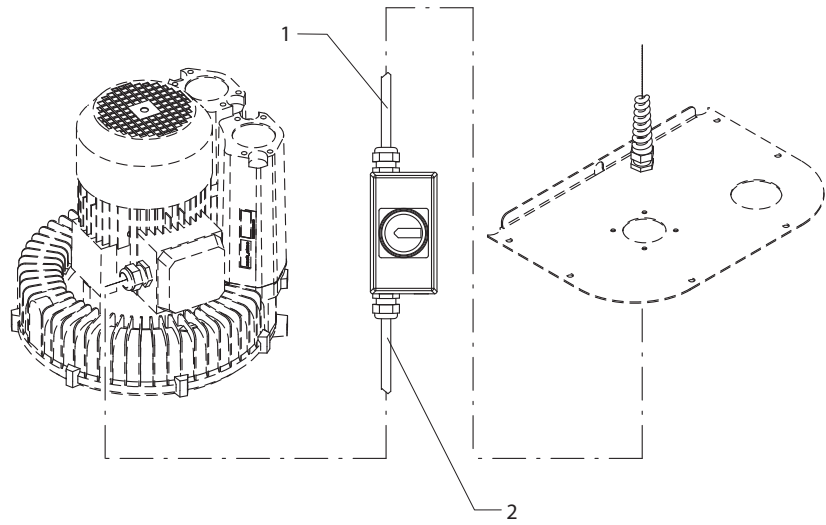
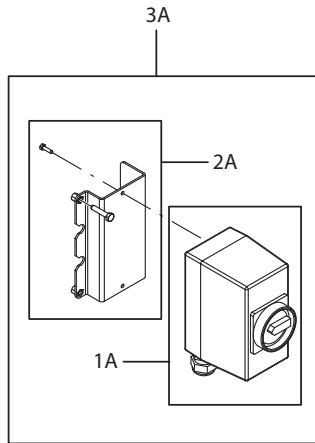
Pos.	Artikel-Nr.	Menge	Variante	Notes
1	8 40027	1	KNOB	
2	4083101415	1	CAPPELLO D460 R9003 VHW421 F.STELLARE	
1A	40000313	1	Gestängekit f. Filter-	
1A	40000314	1	KIT FILTER SHAKER INOX	
2A	4089100330	1	CAP CLOSURE LEVER KIT	



Pos.	Artikel-Nr.	Menge	Variante	Notes
2	Z8 34024	1	Nachsaugventil 1 1/2	
3	4084000988	1	LIP SEAL D50 M.WSS-WST	
1A	40000971	1	SUCTION UNIT KIT V400 H50/60	
1A	4089100499	1	SUCTION UNIT KIT VHW440	
2A	40000556	1	Flansch D70	
3A	4089100535	1	HOSE KIT BLOWING VHW Z21/Z22	
4A	4089100367	1	CLAPET KIT	
5A	40000877	1	GROUND CABLE KIT	[1]
6A	4089100516	1	SUCTION CONNECTION KIT VHW421	
7A	4089100533	1	HOSE KIT SUCTION Z21/Z22	

Part Notes:

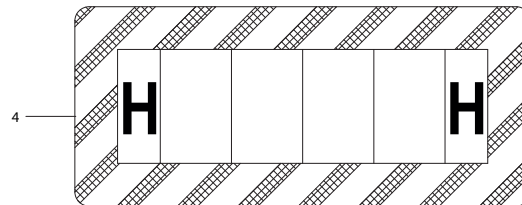
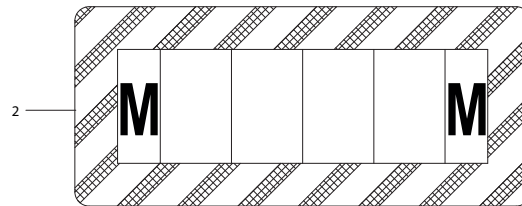
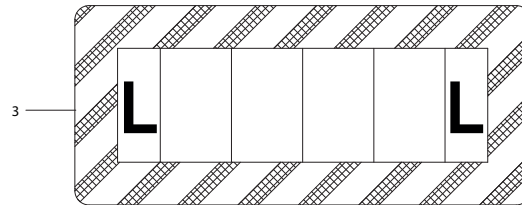
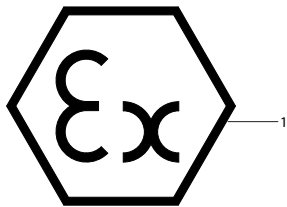
[1] - CONTACT PM IN ZOCCA



Pos.	Artikel-Nr.	Menge	Variante	Notes
1	4083901523	1	CABLE SUP. 4G2.5 FROR SP16A 6M I12D	
1	4083901568	1	CABLE SUP. 4G2.5 FROR SP16A 5PP6M I12D	
1	58 39636	1		
2	8 391079	1	cavo	
1A	4089100125	1	ELECTRIC INSTAL KIT	
A	40000573	1	Hauptschalter	
2A	4089100500	1	ELECTRIC BOX SUPPORT KIT VHW420	[1]
3A	4089100534	1	ELECTRIC BOX PLUS SUPPORT KIT VHW420 Z22	[1]

Part Notes:

[1] - CONTACT PM IN ZOCCA



Pos.	Artikel-Nr.	Menge	Variante	Notes
1	Z8 17633	1	CONTROL BOARD LABEL Z21-Z22 COMPONENT	

