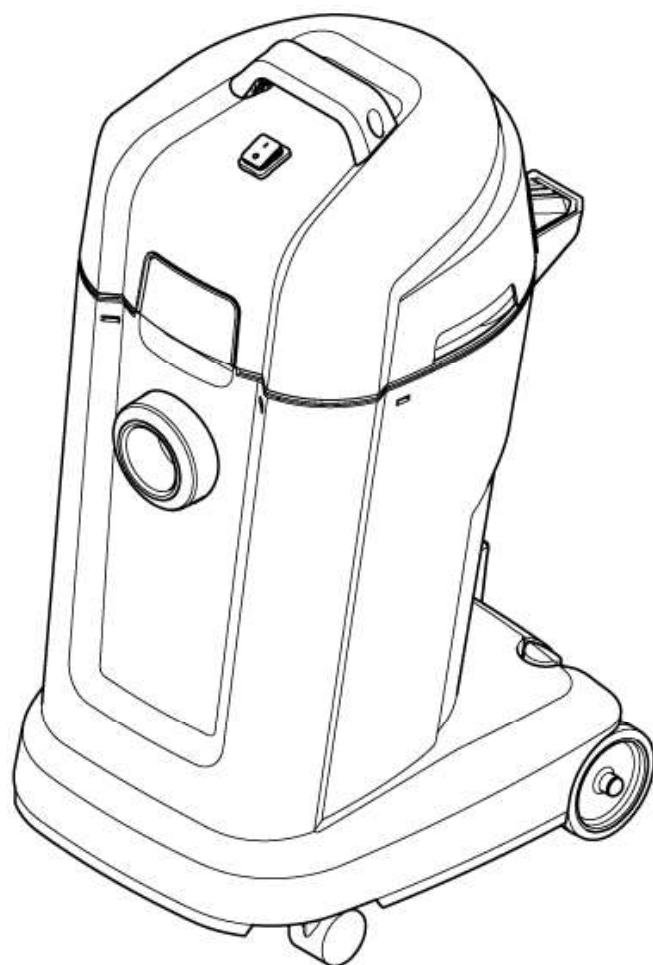


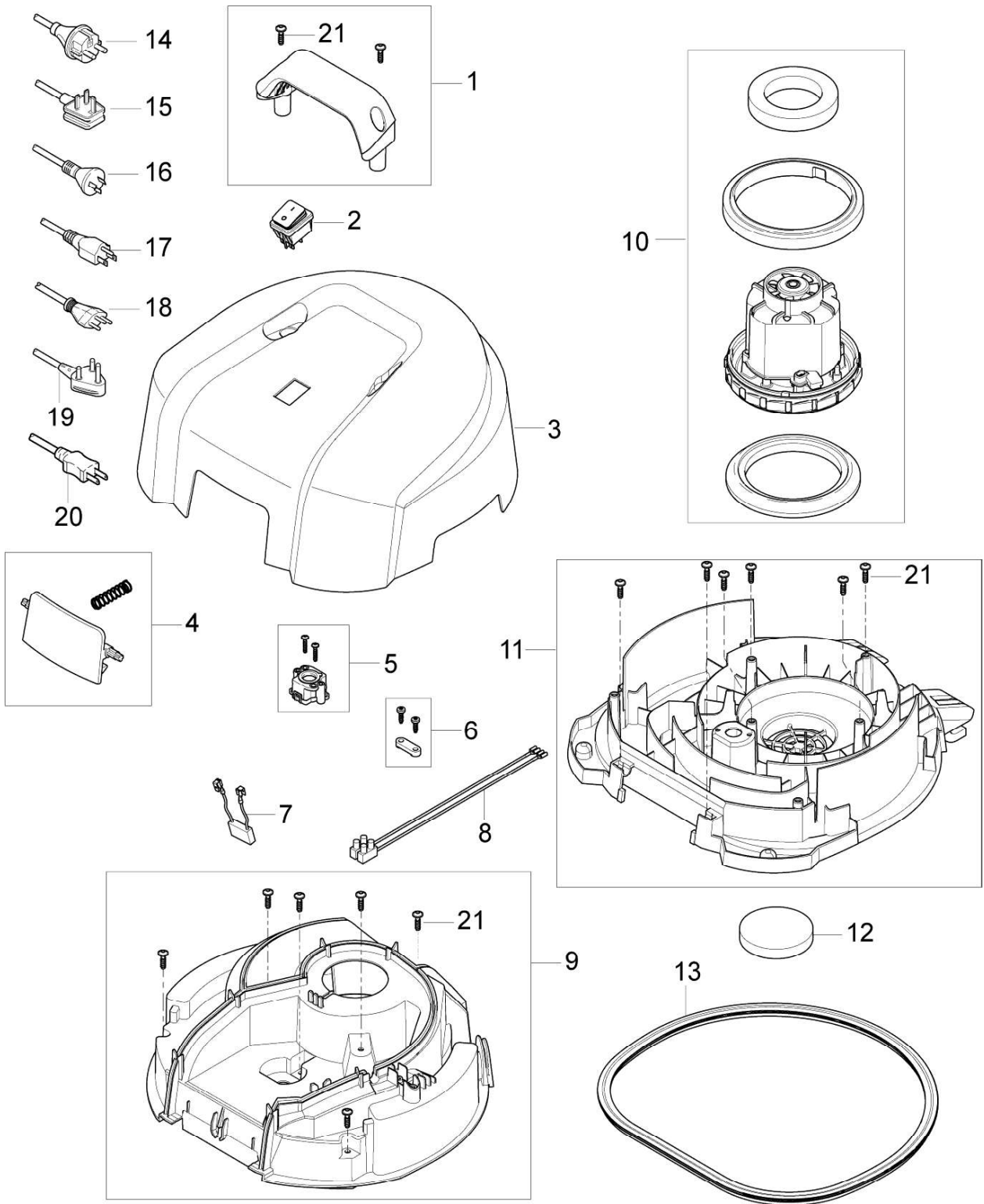
PARTS LIST



2022.04.26

TABLE OF CONTENTS

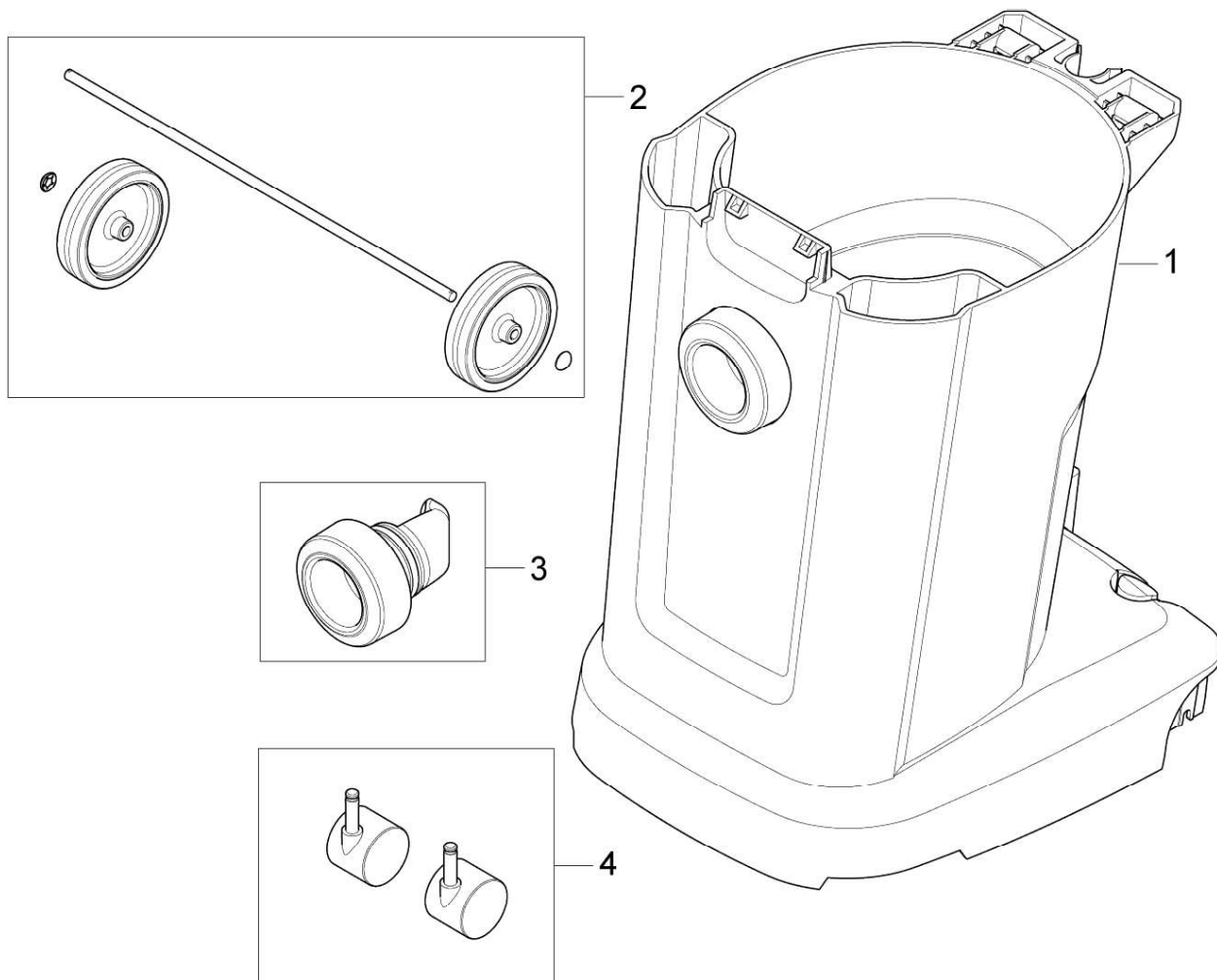
Top 35	1
Container 35 BSF, BDF, EDF	3
Filters and bags 35.....	5
Accessories 35	7
Recommended spare parts.....	9



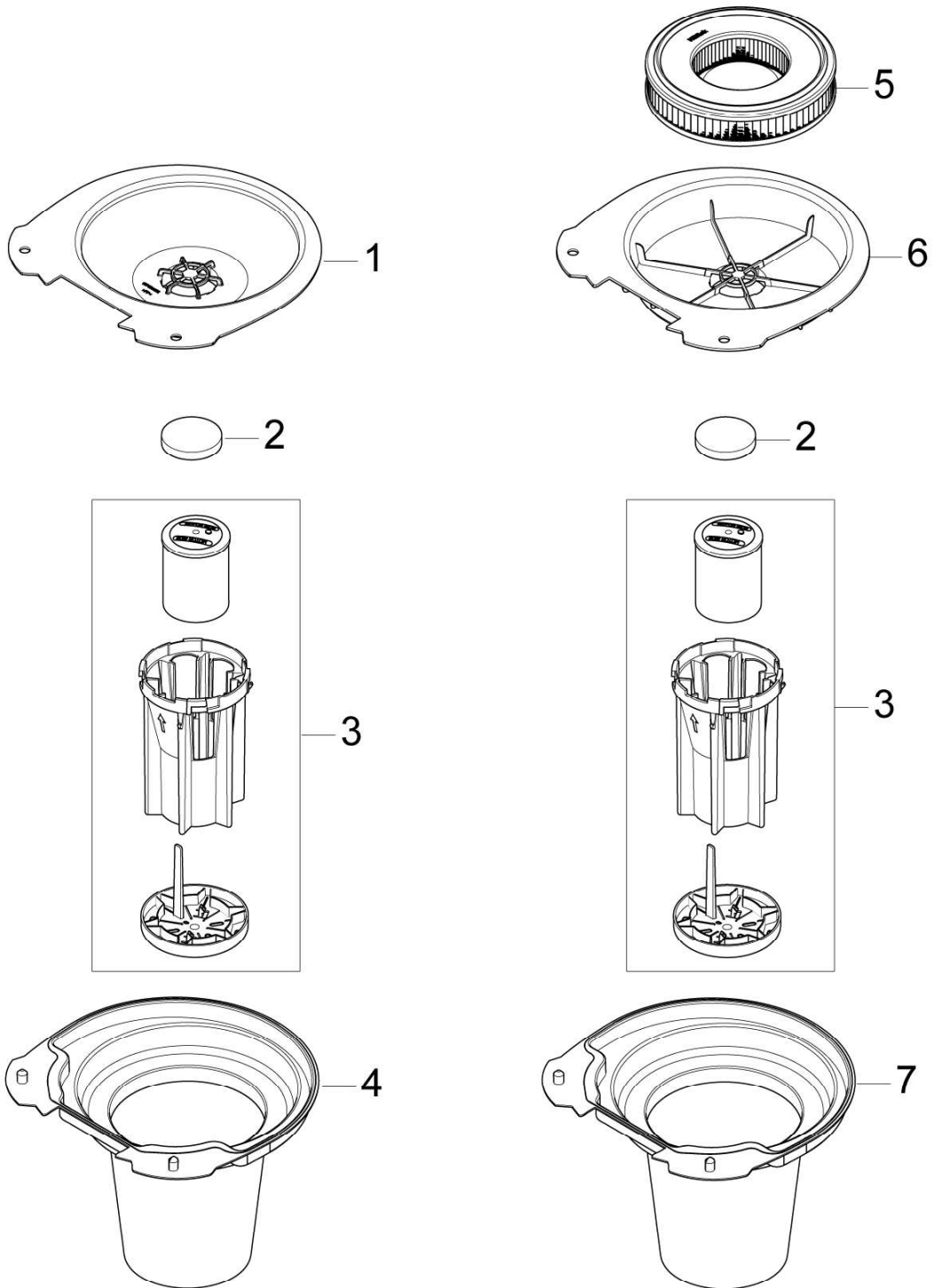
Pos.	Artikel-Nr.	Menge	Variante	Notes
0	107410810	1	PACKAGING VL500/MAXXI 35 - KIT	
1	107407233	1	HANDLE F. 35L BIN VL500	
2	107404540	1	Schalter	
3	107407305	1	HOOD 35L VL500	
4	107407235	1	CLAMP F. 75-55-35 L BIN VL500	
5	107407237	1	VACUUM VALVE CPL.	
6	107418915	1	ANTI-STRAIN CLIP KIT	
7	48338	1	Entstörkondensator	
8	140 7042 500	1	WIRE INTERNAL FOR GWD 300	
9	107407238	1	CLAMPINGPLATE 35L	
10	302003388	1	Elektromotor 120 V/60 Hz	
10	302003384	1	Elektromotor 230/240 V	
10	302004006	1	Elektromotor 100 V/50, 60 Hz JP	
11	107407239	1	BASEPLATE 35L 1 MOTOR VL500	
12	140 8682 500	1	Motorfilter	
13	107407241	1	GASKET F. BASEPLATE 35L	
14	12222501	1	Netzkabel EU GWD 350 10m	
15	12222503	1	CORD SET UK L 10M	
16	12222506	1	CORD SET AU/NZ L 10M	
17	107401614	1	CORD SET US/TW 3C 15.5M YELLOW	
18	12222507	1	CORD SET CH L 10M	
19	107407242	1	POWER CORD H05VV-F 2X1.00 SABS 164-1 16A	[1]
20	140 6702 500	1	Netzleitung JP 15,5m	
21	302004029	8	SCREW 5X18	

Part Notes:

[1] - ZA



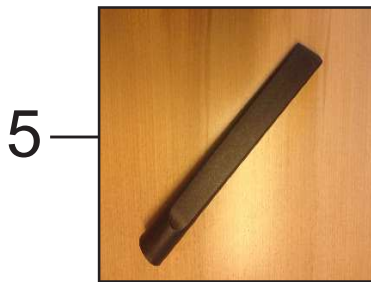
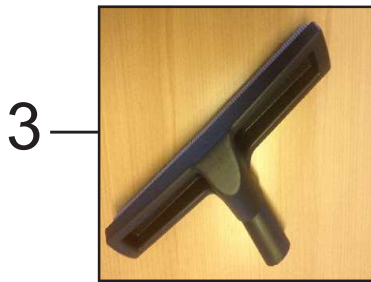
Pos.	Artikel-Nr.	Menge	Variante	Notes
01	107407256	1	CONTAINER WITH TROLLEY 35L VL500	
02	140 8446 600	1	Laufbandsatz GD320GWD 320, GWD 335	
03	107407258	1	Schlauchanschluß	
04	140 6422 500	1	Lenkrolle 2 stk.	



Pos.	Artikel-Nr.	Menge	Variante	Notes
1	107407295	1	FLOATER ADAPTER 35L	[1]
2	140 8682 500	1	Motorfilter	
3	140 8680 500	1	Schwimmer kompl. GWD-300	
4	107407296	1	Nass-/Trocken Einlegetuchfilter 35 Liter	[1]
5	107407297	1	FILTERKASSETTE	[2]
5	107409006	1	Filterkassette HEPA 35 Liter	[3]
6	107407298	1	DRYFILTER BOX 35L	[2]
7	107407299	1	Nassfilter 35 Liter f. Dual-Filtration	[2]

Part Notes:

- [1] - BSF
- [2] - BDF, EDF
- [3] - Option



Pos.	Artikel-Nr.	Menge	Variante	Notes
1	107419592	1	VLIESFILTERBEUTEL 5 STK. ATTIX 40/50	
2	107407308	1	Saugschlauch kpl. Ø 32 mmx1,9 m	
3	107407310	1	Bodendüse, nass, Ø 32 mm, Sauglippen	
3	107407311	1	Hartbodendüse Ø 32 mm, Bürste	
4	107407309	2	Saugrohr, Edelstahl, Ø 32 mmx0,5 m	
5	107407334	1	Fugendüse Ø 32 mm	
6	107407312	1	Bürstendüse Ø 32 mm	
7	107416576	1	HARDFLOOR NOZZLE 400MM X Ø32MM - KIT	
7	107416575	1	HARDFLOOR NOZZLE 300MM x Ø32MM - KIT	

Pos.	Artikel-Nr.	Menge	Variante	Notes
	107407293	1	EASY TILT 75L BIN LEFT-RIGHT	
	107407296	1	Nass-/Trocken Einlegetuchfilter 35 Liter	
	12222501	1	Netzkabel EU GWD 350 10m	
	302003388	1	Elektromotor 120 V/60 Hz	
	107404540	1	Schalter	
	140 8446 600	1	Laufbandsatz GD320GWD 320, GWD 335	
	107407298	1	DRYFILTER BOX 35L	
	140 8682 500	1	Motorfilter	
	48338	1	Entstörkondensator	
	107407237	1	VACUUM VALVE CPL.	
	107407235	1	CLAMP F. 75-55-35 L BIN VL500	
	107407299	1	Nassfilter 35 Liter f. Dual-Filtration	
	107407297	1	FILTERKASSETTE	
	140 8680 500	1	Schwimmer kompl. GWD-300	
	140 6422 500	1	Lenkrolle 2 stk.	
	302003384	1	Elektromotor 230/240 V	
	107407295	1	FLOATER ADAPTER 35L	
	107407258	1	Schlauchanschluß	
	302004029	1	SCREW 5X18	

