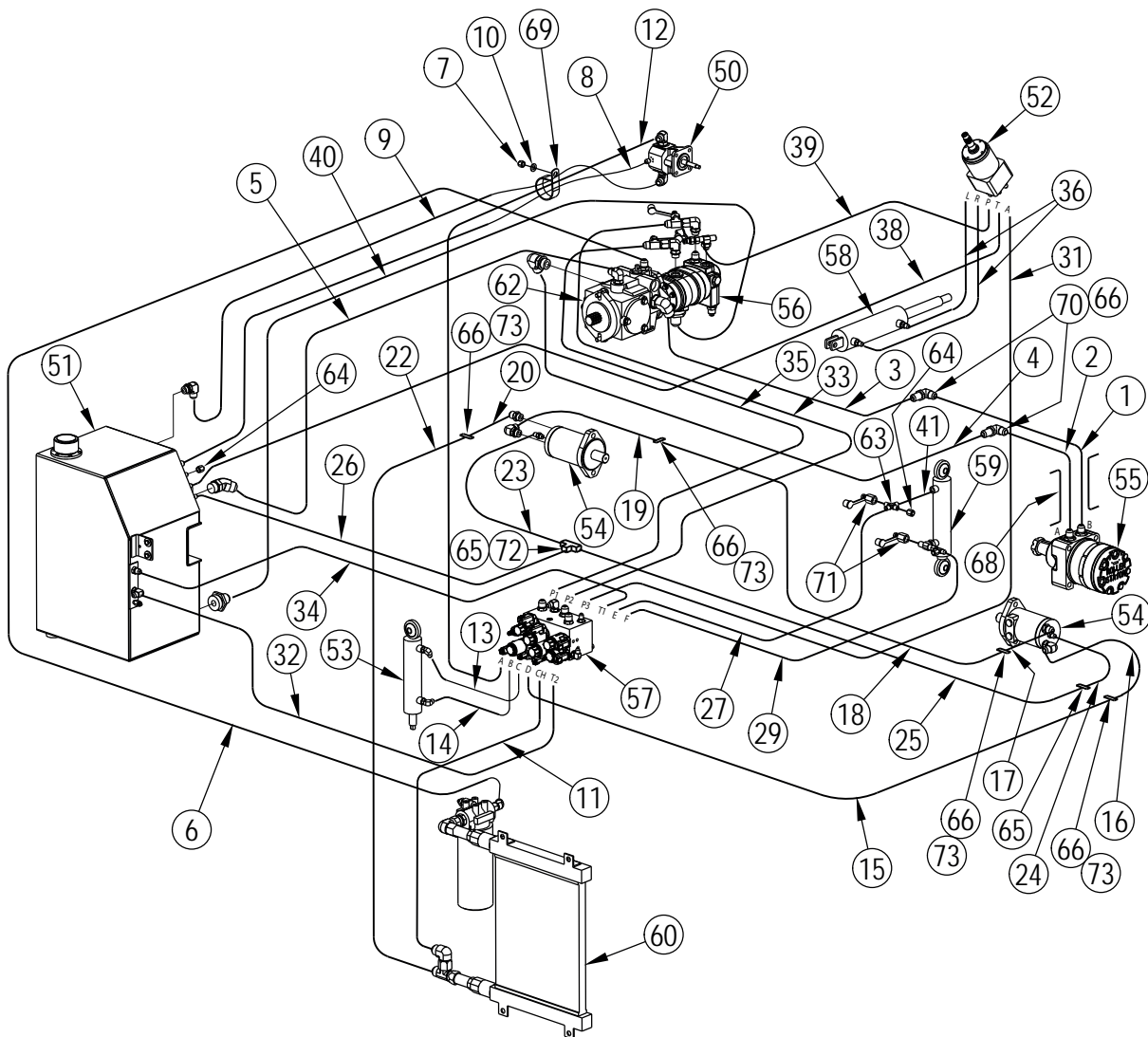


Pos.	Artikel-Nr.	Menge	Variante	Notes
	56110468	1	LP TANK BRACKET ASSY	[1]
1	56002146	1	SCR PAN PHIL 8-32 X .62	
2	56002956	2	Schraube HEX LOC 5/16-18	
3	2-00-04705	4	SCW-HHC .375 GRADE 8 ZN PL	
4	2-00-04967	1	SCR.-HHM .50-13 X 2.50 GR5 ZN	
5	56009016	1	NUT HEX JAM 1/2-13 1/4-20	
6	56009019	1	Schraube 1/4-20x.38	
7	56009025	2	WASHER, FLT	
8	56009033	4	Schraube 1/4-20X1 2HP 5	
9	56009250	1	SCR HEX THD FORM 1/4-20X.62	
10	56110469	1	LP TANK BRACKET WELDT	
11	56110472	1	BAR	
12	56110659	1	LP Filterset	[2]
13	56110985	1	MAGNET	
14	56323260	2	Kabelbriede zu BR 1000	
15	56481997	1	CLAMP	
16	2-00-04564	1	CABLE CLAMP	
17	56369675	1	Steckverbindung	
18	56418381	1	Druckschalter	
19	56418934	1	Schottverschraubung	
20	56456598	1	Elbow 45 DEG	
21	56368938	1	Verbindungsrohr	[3]
22	56456624	1	Vent, 1/4 NPT f. CR 1300	
23	56900921	1	T-Stück	
24	56002228	1	Unterlagsscheibe	
25	56002615	1	Sechskantmutter 7/8-14	
26	56110660	1	LP Schlauchset	
27	56110661	1	CONDUIT	
28	56111309	1	Winkel 1/8 x 90	
29	56384522	1	HOSE-LP 1/4 NTPF X 5/8-18 35LG	[3]
30	56305505	1	ADAPTER SAE 45 DEGREE	
31	56419241	1	Abdeckung f.Druckschalter	
32	2-00-02310	4	Sicherungsring	
33	56002220	4	WSH FLT CUT 5/16	
34	56496276	5	Klammer	[4]
35	56002098	3	Scheibe	

## Part Notes:

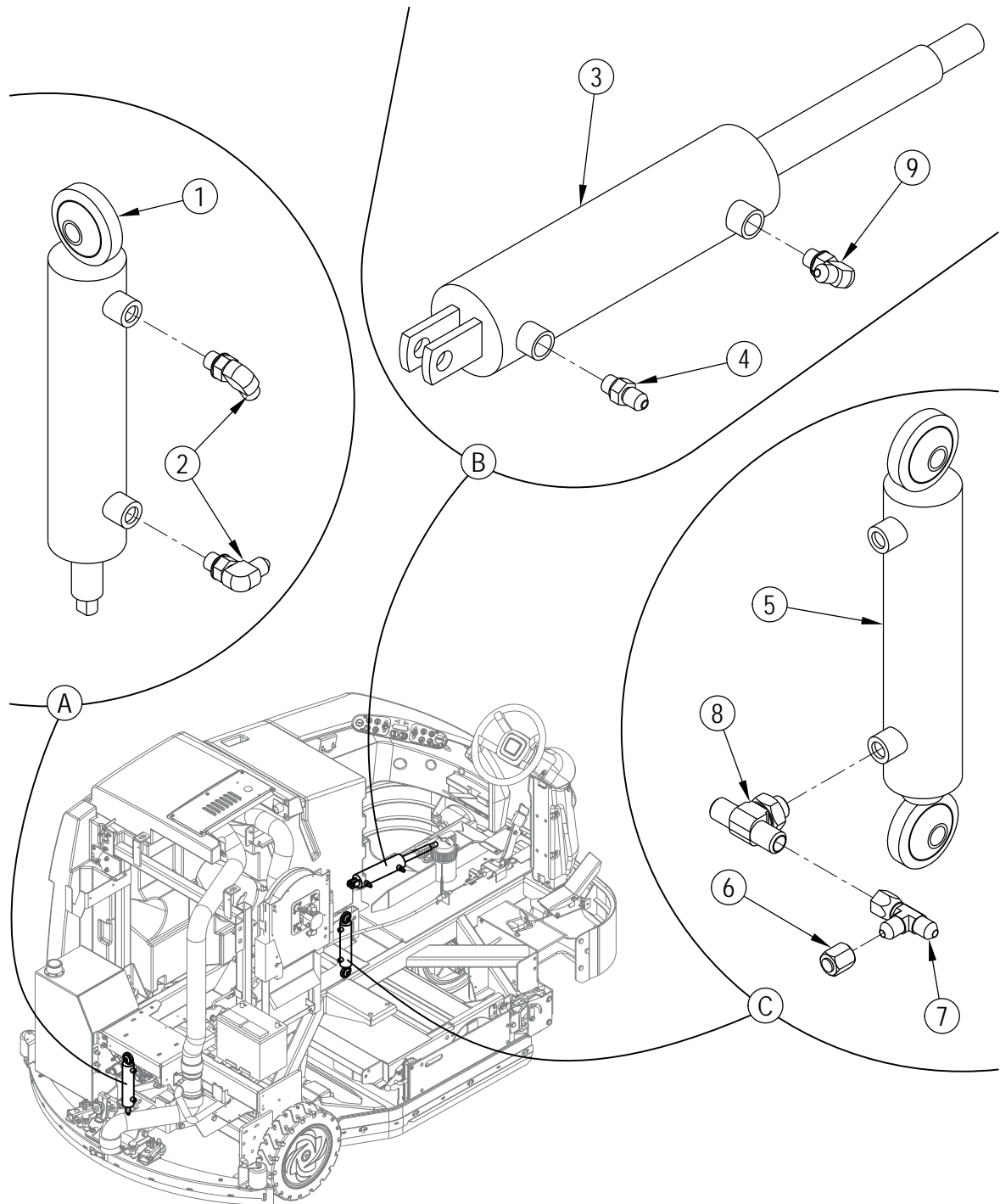
- [1] - (items 1-16)
- [2] - (items 17-31)
- [3] - TSB-FC-2015-019 SC8000 Propane Hose Fitting Leak
- [4] - P-Clamps are used to route and secure the LP fuel line on the machine.



Pos.	Artikel-Nr.	Menge	Variante	Notes
1	56110670	1	HOSE ASSY	
2	56110705	1	Schlauchset	
3	56110671	1	Schlauchset	
4	56110672	1	Schlauchset	
5	56110673	1	HOSE ASSY	
6	56108204	1	HOSE ASSY	
7	56002769	1	Stopmutter 3/8-16	
8	56110676	1	HOSE ASSEMBLY	
9	56110677	1	HOSE ASSY	
10	56002063	1	"U-Scheibe 3/8""	
11	56110679	1	Schlauchset	
12	56110680	1	Schlauchset	
13	56110681	1	HOSE ASSY	
14	56110682	1	HOSE ASSY	
15	56110683	1	Schlauchset	
16	56110684	1	Schlauchset	
17	56110685	1	Schlauchset	
18	56110686	1	Schlauchset	
19	56110687	1	Schlauchset	
20	56110688	1	Schlauchset	
22	56110690	1	Schlauchset	
23	56110691	1	HOSE ASSY	
24	56110692	1	HOSE ASSY	
25	56110693	1	HOSE ASSY	
26	56110694	1	HOSE ASSY	
27	56110695	1	HOSE ASSY	
29	56110697	1	HOSE ASSY	
31	56383873	1	HOSE ASSY-HYDRAULIC-3/8X109	
32	56110700	1	HOSE ASSY	
33	56383874	1	HOSE ASSY-HYDRAULIC-1/2X45	
34	56110702	1	HOSE ASSY	
35	56383875	1	HOSE ASSY-HYDRAULIC-3/8X45	
36	56110704	2	Schlauchset	
38	56110706	1	Schlauchset	
39	56110707	1	Schlauchset	
40	56110708	1	Schlauchset	
41	56110739	1	HOSE ASSY	
50		1	Fan Motor Assembly	
51		1	Reservoir Assy	
52		1	Steering Pump Assy	
53		1	Squeegee Cylinder Assy	
54		1	Hydraulic Motor Assy	
55		1	Drive Motor Assy	
56		1	Pump Assembly, Low Speed	
57		1	Valve Block Assy	
58		1	Cylinder Assembly, Steer	
59		1	Scrub Lift Cyl. Assy	
60		1	Oil Cooler Assy	
61		1	Intentionally Omitted	
62		1	Pump Assembly	
63	56111164	1	UNION CROSS	
64	56111165	2	END CAP FLARE TUBE	
65	56418744	2	LOCKNUT BULKHEAD E00598	
66	56418745	8	LOCKNUT BULKHEAD E00598	
68	56463427	1	Hülse	
69	56315257	1	Clamp P	
70	56900404	2	ELBOW UNION 8 E00012	
71	56900906	2	TEST NIPPLE	
72	56900927	1	TEE BULKHEAD RUN	

---

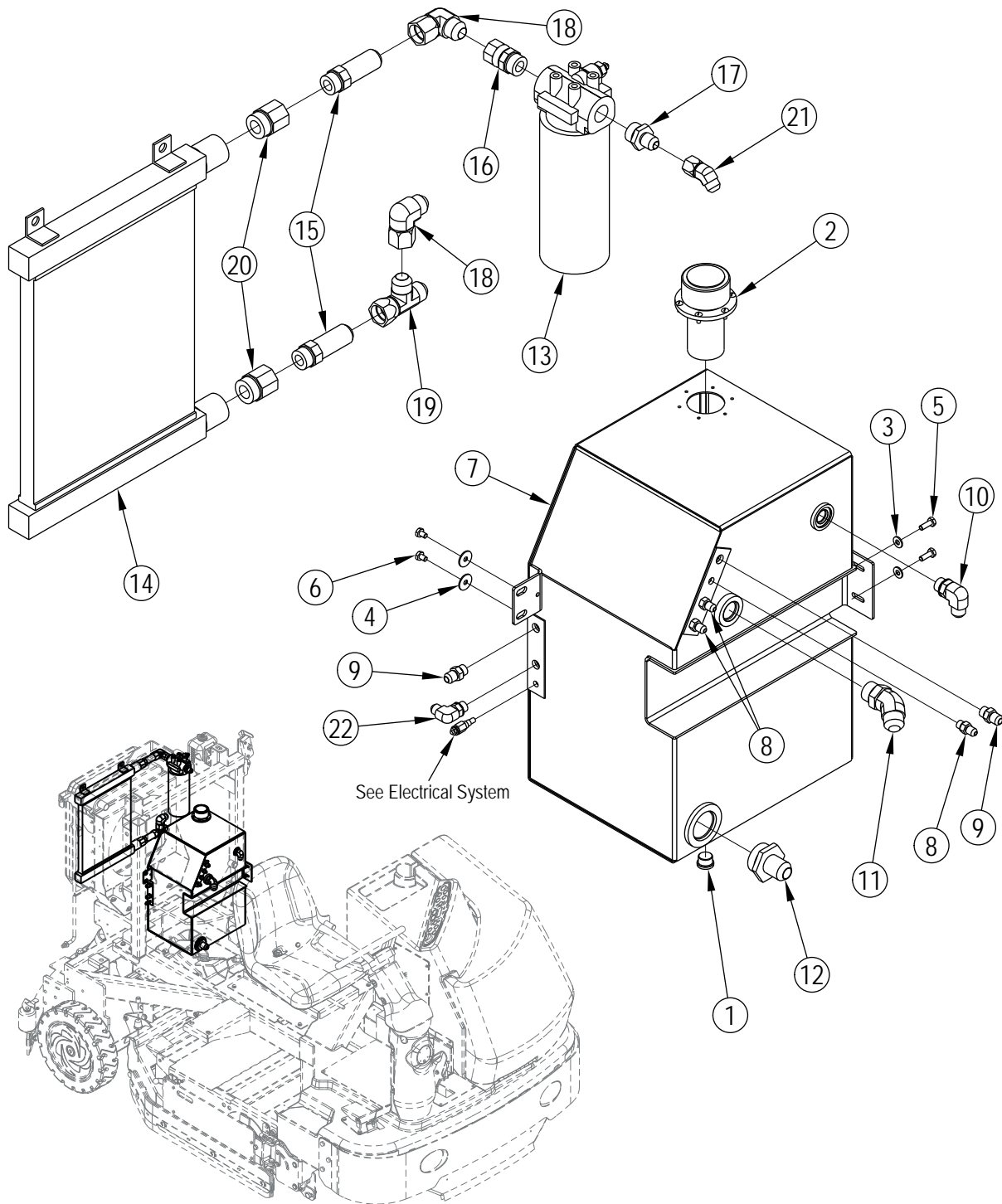
<b>Pos.</b>	<b>Artikel-Nr.</b>	<b>Menge</b>	<b>Variante</b>	<b>Notes</b>
73	56002139	4	WSH INT SHPRF 3/4	



Pos.	Artikel-Nr.	Menge	Variante	Notes
A		1	Squeegee Cylinder Assy	[1]
1	56110262	1	CYLINDER HYDRAULIC 1.5X5	
	56305702	1	AbdichtungsKit	
2	56900101	2	Bogen 90 Grad	
B		1	Cylinder Assembly, Steer	[2]
3	56304933	1	Zylinder, hydraulisch 2x6	
	56488723	1	SEAL KIT	
4	56900001	1	O-ring verbindung	
9	56900101	1	Bogen 90 Grad	
C		1	Scrub Lift Cyl. Assy	[3]
5	56110370	1	Hydraulikzylinder	
	56110723	1	Abdichtung für 56110370	
6	56111165	1	END CAP FLARE TUBE	
7	56900341	1	T-Stück f. CR 1300	
8	56900356	1	TEE BRANCH O-RING EO0006	

## Part Notes:

- [1] - (items 1-2)  
 [2] - (items 3-4, 9)  
 [3] - (items 5-8)



# HYDRAULIC OIL COOLER - RESERVOIR

SC8000 1300 D NIL

2015.05.19

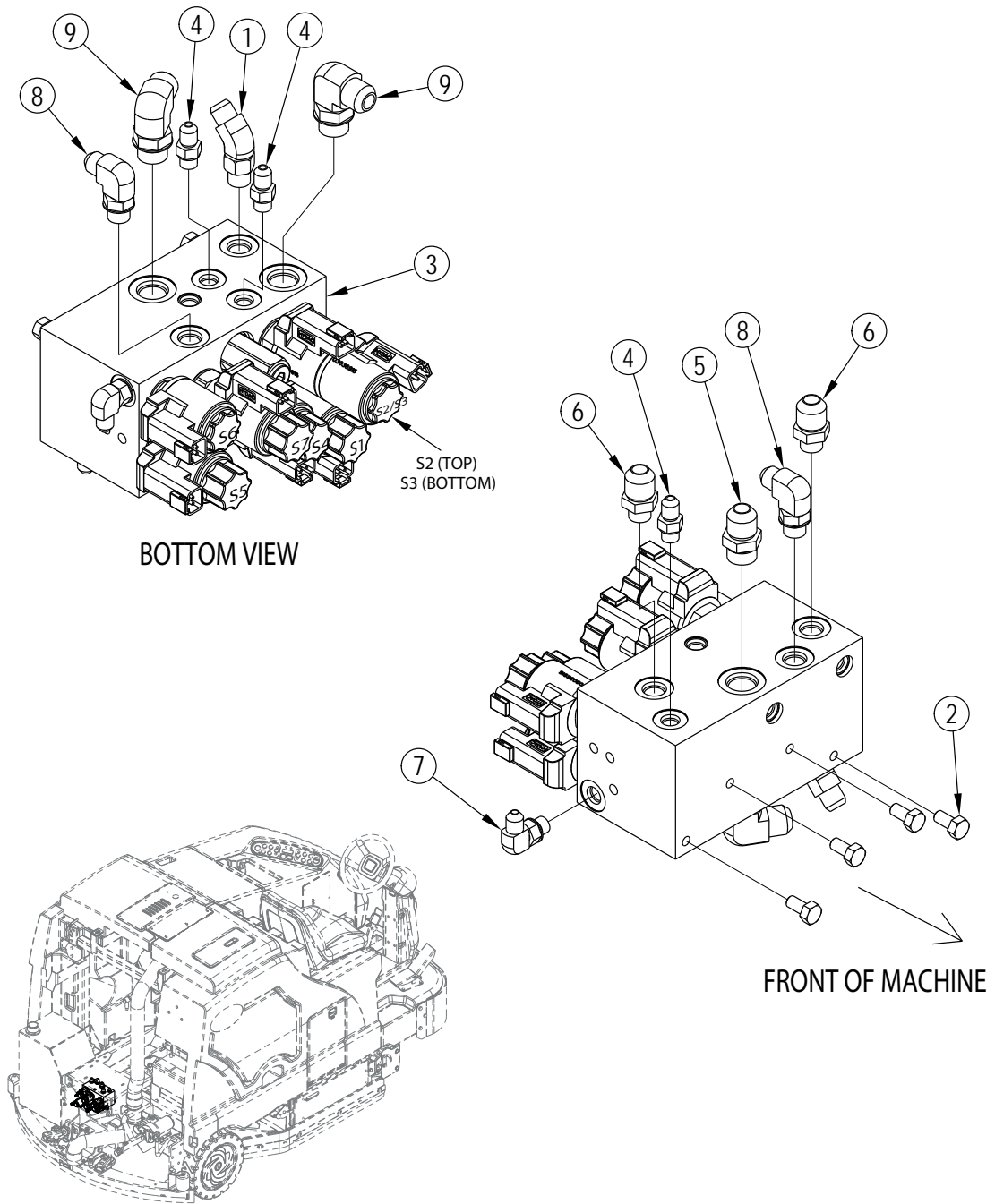
2013.08.12

Pos.	Artikel-Nr.	Menge	Variante	Notes
1	56463403	1	PLUG HEX O-RING E00594	
2	56479656	1	FILLER CAP RE483B	
3	56002098	2	Scheibe	
4	56009002	2	UNTERLEGSSCHEIBE, FLACH	
5	56009018	2	SCHRAUBE 1/4-20X3/4 HP5	
6	56009019	2	Schraube 1/4-20x.38	
7	56110170	1	RESERVOIR WELDMENT	
8	56900001	3	O-ring verbindung	
9	56900003	2	O-ring verbindung	
10	56900104	1	Bogen 90 Grad	
11	56900156	1	ELBOW 45 DEG.O/R W/NUT E00004	
12	56900451	1	CONNECTOR O-RING	
	56110665	1	OIL COOLER ASSY	[1]
13	56456449	1	Filterset Öl	
	56496209	1	Hydraulikölfilter	
14	56463678	1	Kühler, Öl	
15	56110978	2	FITTING LONG STRAIGHGT	
16	56110981	1	FITTING SWIVEL STR	
17	56900016	1	Anschlussstückl	
18	56900306	2	ELBOW 90D W/NUT -12 E00007	
19	56900346	1	TEE RUN W/NUT E00009	
20	56900608	2	REDUCER W/O RING E00026	
21	56900324	1	ELBOW 45DEG W/NUT 8 E00008	
22	56900103	1	ELBOW 90 DEG O/R-6	

Part Notes:

[1] - (items 13-21)





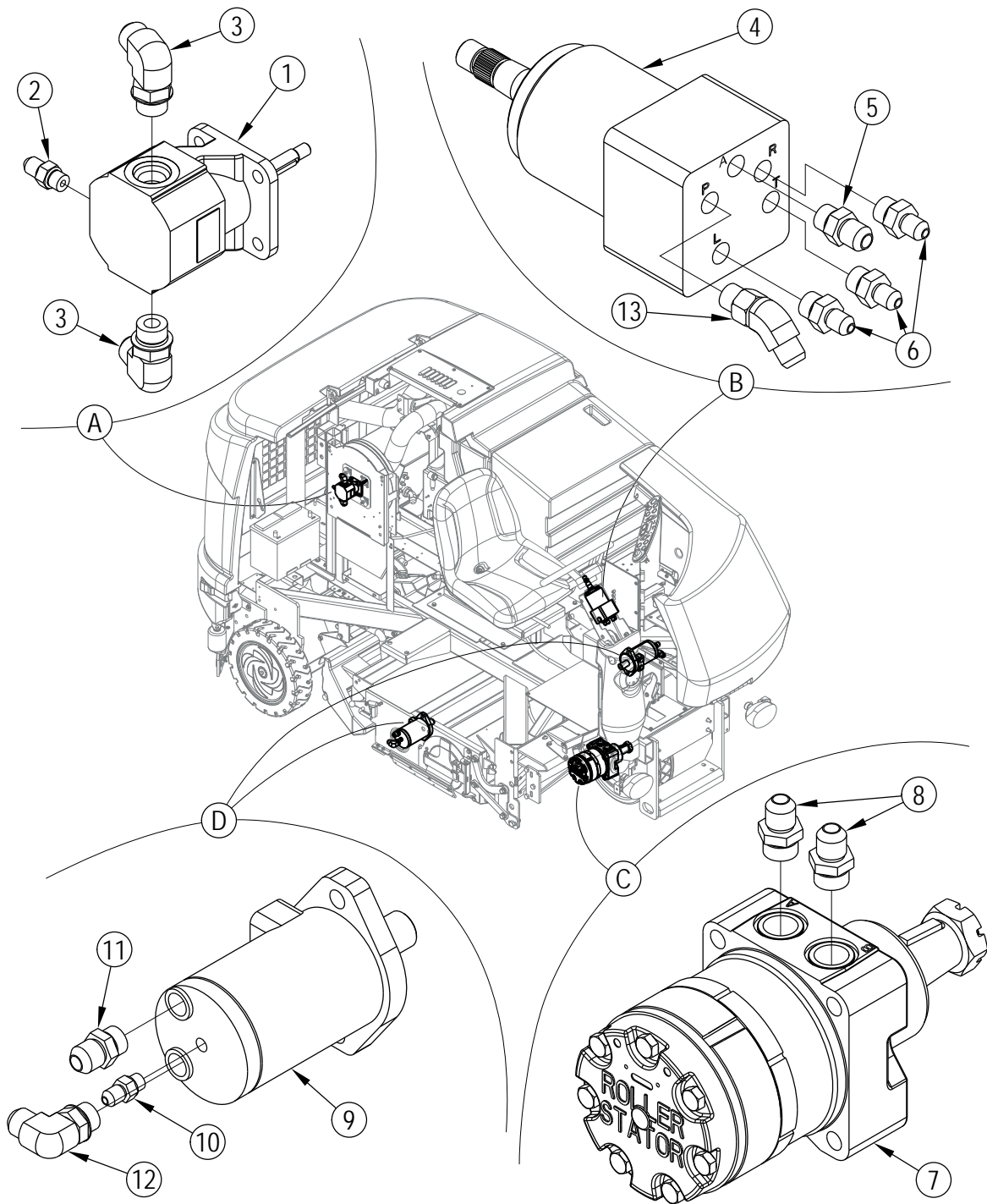
# HYDRAULIC VALVE BLOCK ASSY

SC8000 1300 D NIL

2015.05.19

2013.08.12

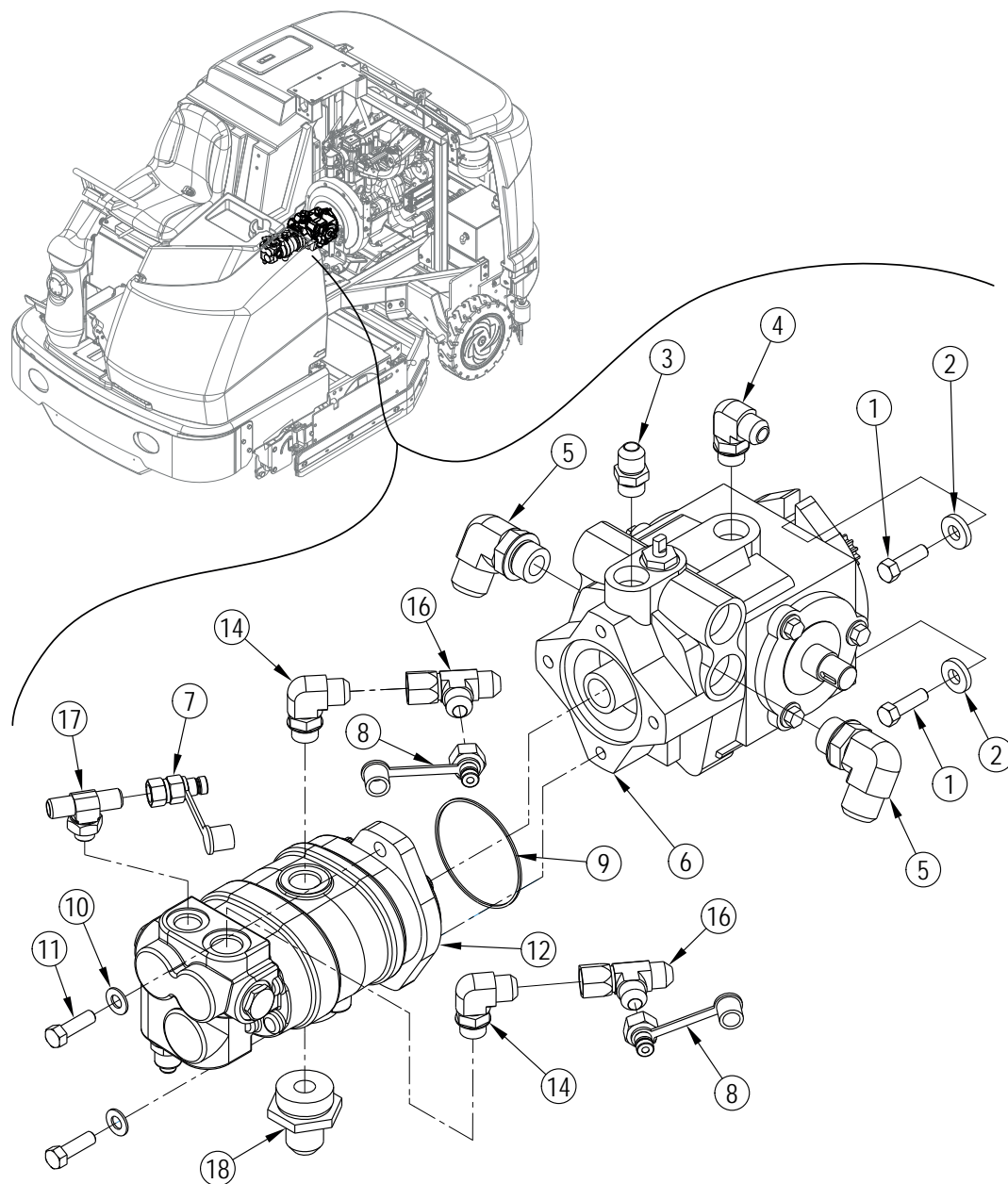
Pos.	Artikel-Nr.	Menge	Variante	Notes
1	56900153	1	ELBOW 45 DEG.O/R -6 E00004	
2	56002929	4	SCR HEX HD LOC 5/16-18X	
3	56110271	1	VALVE BLOCK HYDRAULIC	
3	56110717	1	Ersatzkassette	
3	56110718	1	Austausch-Kassette	
3	56110719	1	Ersatzkassette	
3	56110720	1	Proportionalventil	
3	56110721	1	PROP/REL VALVE REPLACEMENT	
3	56419397	1	RELIEF VALVE CARTRIDGE	
3	56111194	1	Ersatzkassette	
3	56110712	1	Ersatzspule	
3	56110716	1	Austauschspule	
3	56305348	1	SEAL KIT DOUBLE	
3	56305354	1	Dichtungskit	
3	56111198	1	SEAL KIT	
3	56305349	1	SEAL KIT	
3	56305822	1	Dichtungssatz	
4	56900001	3	O-ring verbindung	
5	56900004	1	Stecker O/R	
6	56900020	2	CONNECTOR O/R -8-6 E00001	
7	56900101	1	Bogen 90 Grad	
8	56900103	2	ELBOW 90 DEG O/R-6	
9	56900104	2	Bogen 90 Grad	



Pos.	Artikel-Nr.	Menge	Variante	Notes
A		1	Fan Motor Assembly (items 1-3)	
1	56110061	1	Motor Hydraulisch	
	56418823	1	Shaft Dichtung	
2	56900001	1	O-ring verbindung	
3	56900104	2	Bogen 90 Grad	
B		1	Steering Pump Assembly (items 4-6, 13)	
4	56111518	1	Lenkpumpe	
	56419521	1	Abdichtungskit	
5	56900003	1	O-ring verbindung	
6	56900011	3	O-ring verbindung	
13	56900153	1	ELBOW 45 DEG.O/R -6 E00004	
C		1	Drive Motor Assembly (items 7-8)	
7	56110351	1	Antriebsmotor	
	56507618	1	Abdichtung 56110351	
7	56108225	1		[1]
8	56900015	2	O-ring verbindung	
D	56110339	1	HYDRAULIC MOTOR ASSY	[2]
9	56497525	1	Motor, Hauptkehrwalze	
	56479577	1	Dichtsatz	
	56307149	1	Viton Abdichtungkit	
10	56900001	1	O-ring verbindung	
11	56900004	1	Stecker O/R	
12	56900104	1	Bogen 90 Grad	

Part Notes:

- [1] - Only included in optional Hyd-Traction Drive Motor Kit 56108224.
- [2] - (items 9-12)



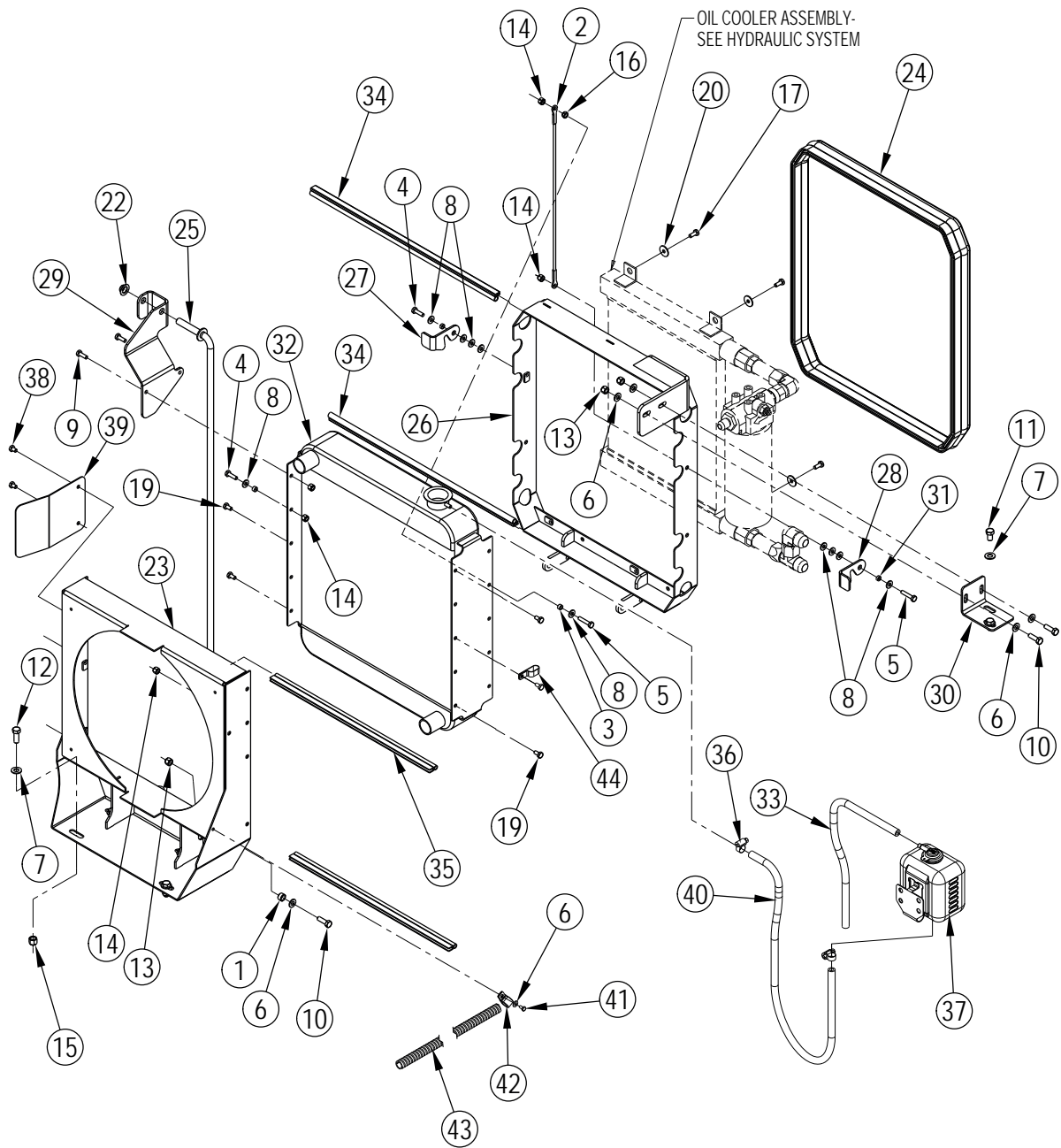
Pos.	Artikel-Nr.	Menge	Variante	Notes
		1	Pump Assembly (items 1-6)	
1	56003029	2	Schraube 3/8-16 X1	
2	56009106	2	U-Scheibe FLT.453x1.000	
3	56900004	1	Stecker O/R	
4	56900104	1	Bogen 90 Grad	
5	56900106	2	ELBOW 90DEG.O/R-12	
6	56304112	1	Pumpe, Kolbe	
6	56305360	1	SEAL KIT	
6	56111605	1	RELEIF VALVE 3500 PSI	
		1	Pump Assembly Low Speed (items 7-18)	
7	56418865	1	COUPLING 6 TEST PORT	
8	56418866	2	COUPLING 8 TEST PORT	
9	56488002	1	O-Ring	
10	56002063	2	"U-Scheibe 3/8""	
11	56003029	2	Schraube 3/8-16 X1	
12	56110371	1	PUMP DUAL LOW SPEED	
12	56418987	1	SEAL KIT TRIPLE PUMP	
12	56111496	1	RELIEF CARTRIDGE	
14	56900104	2	Bogen 90 Grad	
16	56900344	2	TEE E00009	
17	56900353	1	TEE BRANCH O-RING E00006	
18	56900451	1	CONNECTOR O-RING	

# RADIATOR ASSY

SC8000 1300 D NIL

2015.05.19

2013.08.12



# RADIATOR ASSY

SC8000 1300 D NIL

2015.05.19

2013.08.12

Pos.	Artikel-Nr.	Menge	Variante	Notes
1	56232181	2	Distanzbuchse	
2	56108194	1	CABLE	
3	56368997	2	BUECHSE	
4	56001821	2	SCR HEX HD 1/4-20 X .88	
5	56001878	2	SCR HEX HD 1/4-20 X 1.25	
6	56001939	6	Flachdichtung 5/16	
7	56002063	10	"U-Scheibe 3/8""	
8	56002098	10	Scheibe	
9	56002155	2	SCR HEX 1/4-20 X .75	
10	56002221	4	SCR HEX HD 5/16-18 X 1.00	
11	56002234	2	SCR HEX 3/8-16 X .62	
12	56002663	4	SCR HEX HD 3/8-16x1.00	
13	56002701	4	MUTTER 5-16-18 HEX JAM	
14	56002708	5	Stopmutter 1/4-20	
15	56002769	4	Stopmutter 3/8-16	
16	56002840	1	Nut 1/4 20	
17	56002922	4	SCR HEX LOC 1/4-20 X .62	
19	56003039	5	Schraube 1/4-20	
20	56009002	4	UNTERLEGSCHIEBE, FLACH	
22	56009097	1	Radhülse zu BA 430	
23	56110242	1	FAN SHROUD WELDMENT	
24	56110656	1	GASKET RADIATOR	
25	56110966	1	PROP ROD WELDT	
26	56111233	1	OIL COOLER MNT WELDT	
27	56111237	1	LATCH OIL COOLER-RT	
28	56111238	1	LATCH OIL COOLER-LT	
29	56111245	1	BRACKET HOOD PROP	
30	56111530	1	BRACKET OIL FILTER	
31	56163872	2	BUSHING .25X.37X.16PM6H	
32	56305316	1	Kühler	
32	56456431	1	Cap, Radiator	
33	56305443	1	Schlauch	
34	56305502	2	Verkleidung	
35	56418955	2	Abdichtung	
36	56756364	2	Schlauchklemme	
37	7-07-02002	1	Ausgleichsbehälter	
38	56009019	2	Schraube 1/4-20x.38	
39	56111735	1	PLATE SHIELD	
40	56108205	1	HOSE	
41	56009033	1	Schraube 1/4-20X1 2HP 5	
42	56496276	1	Klammer	
43	56108211	1	CONDUIT BLACK .75	
44	2-00-04603	1	Schlauchschelle (doppelt)	



# REAR WHEEL SYSTEM

SC8000 1300 D NIL

2015.05.19

2017.09.05

