

PARTS LIST



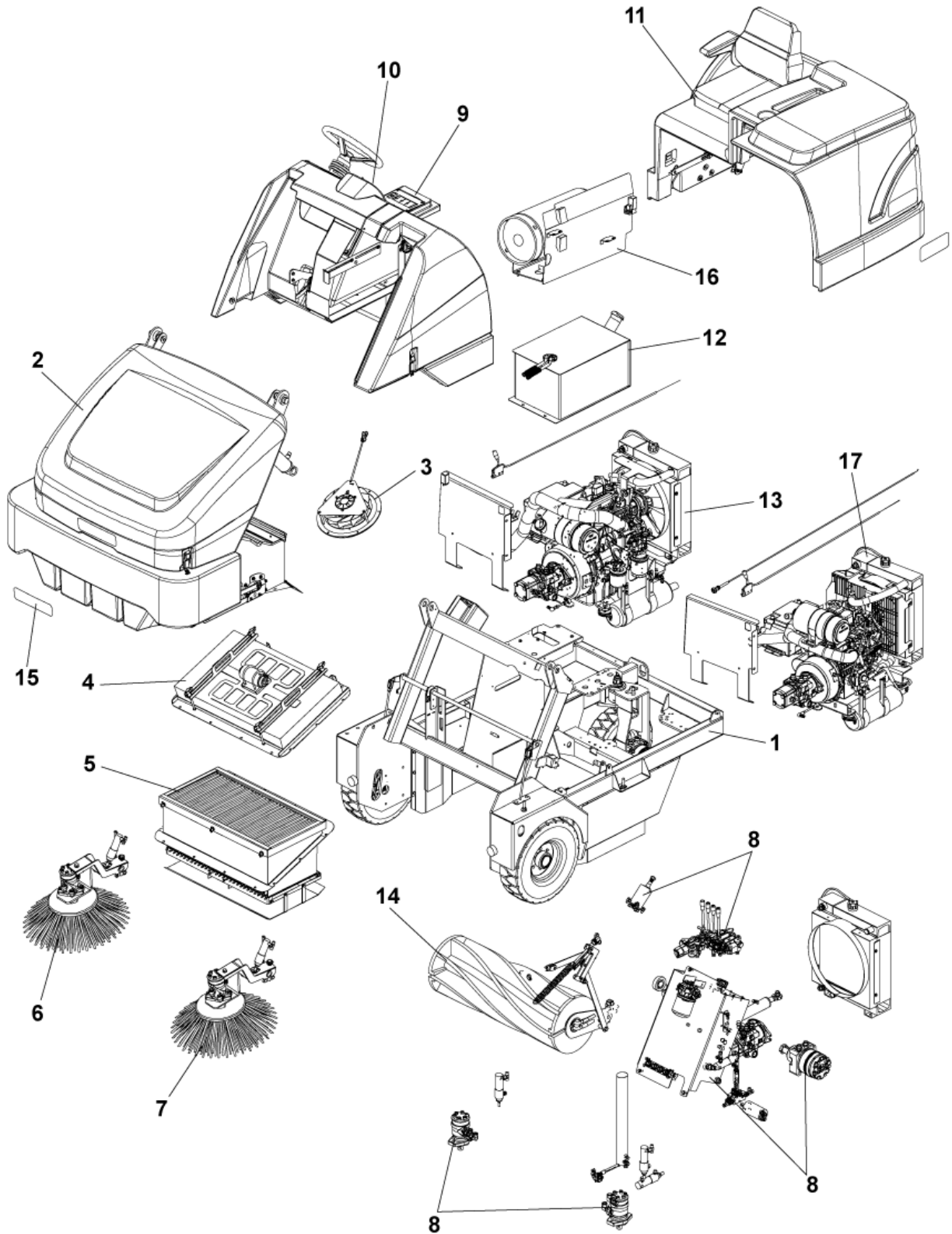
2022.01.24

TABLE OF CONTENTS

Ansicht allgemein	1
ASSY DIESEL ENGINE 1	3
ASSY DIESEL ENGINE 2	6
ASSY FUEL TANK	9
ASSY LPG ENGINE 1	11
ASSY LPG ENGINE 2	14
LIGHT FRONT LED KIT 12V	17
ASSY LPG SUPPORT (FOR MACHINE STARTING FROM JAN 2012)	19
ASSY LPG SUPPORT (FOR MACHINE UNTIL DEC 2011)	21
ASSY PETROL ENGINE 1	23
ASSY PETROL ENGINE 2	26
CHASSIS ASSEMBLY 1	29
CHASSIS ASSEMBLY 2	31
CHASSIS COMPONENTS	33
CONTROL ASSEMBLY	35
CONTROL PANEL AND RELAYS	37
DRIVE MOTOR SCHEME	39
FLAP AND HOPPER SCHEME	41
Schmutzaufnahmebehälter System	43
HYDRAULIC PLAN ASSY 1	45
HYDRAULIC PLAN ASSY 2	48
HYDRAULIC PLAN ASSY 3	50
LEFT SIDE BROOM ASSY	52
HAUPTBESSEN BAUGR	54
ACCESSORIES - 6	56
Zubehör 3	58
ACCESSORIES - 4	60
OPTIONALS	62
ACCESSORIES - 8	64
Zubehör 1	66
ACCESSORIES - 7	68
Zubehör 4	70
Zubehör 2	72
PEDALS SYSTEM	74
REAR COVER ASSY	76
RECOMMENDED SPARE PARTS	78
RIGHT SIDE BROOM ASSY	81
SIDE BROOM SCHEME	83
SPARE PARTS DIESEL ENGINE -1	85
SPARE PARTS DIESEL ENGINE -10	87
SPARE PARTS DIESEL ENGINE -11	89
SPARE PARTS DIESEL ENGINE -12	91
SPARE PARTS DIESEL ENGINE -13	93
SPARE PARTS DIESEL ENGINE -14	95

TABLE OF CONTENTS

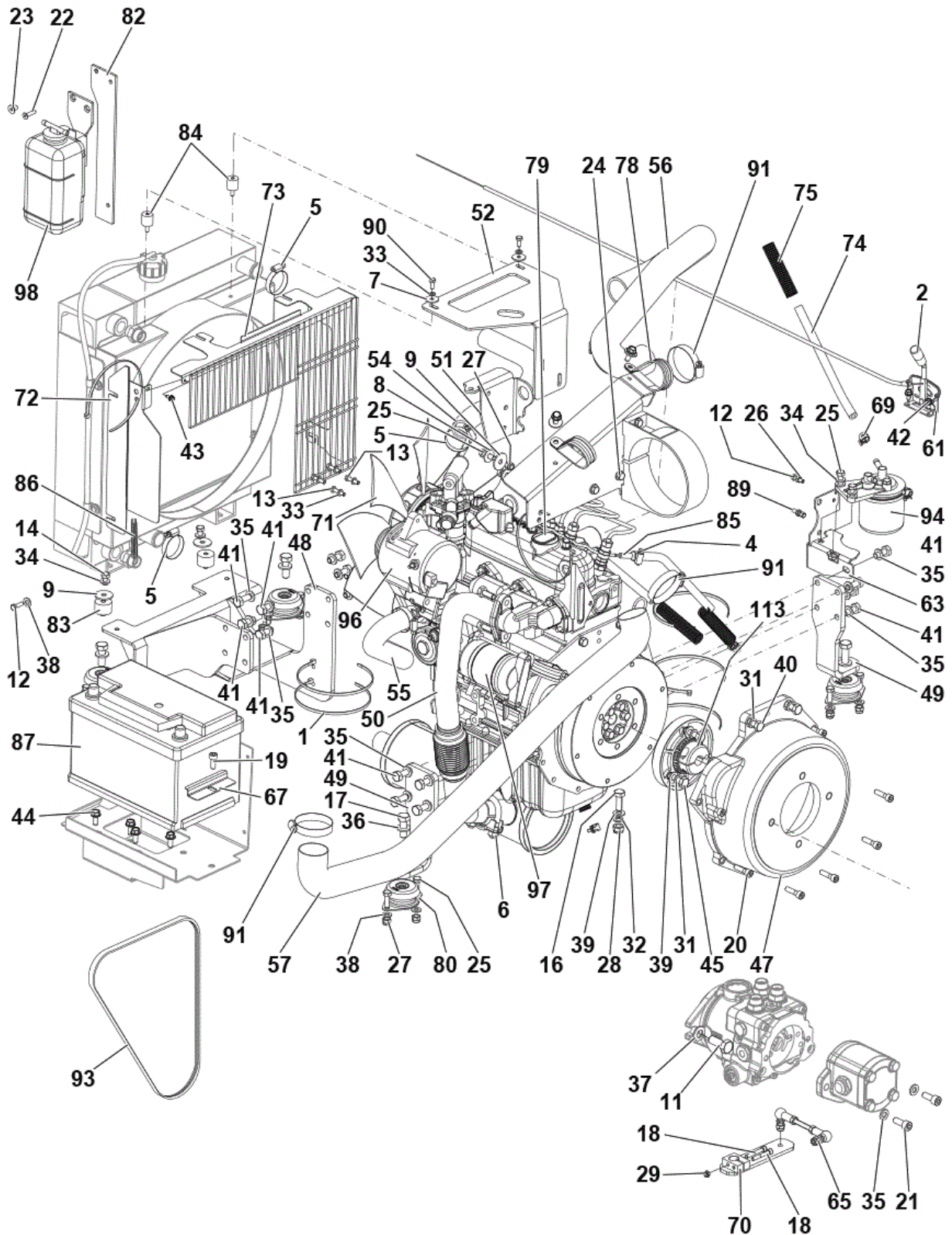
SPARE PARTS DIESEL ENGINE -2	97
SPARE PARTS DIESEL ENGINE -3	99
SPARE PARTS DIESEL ENGINE -4	101
SPARE PARTS DIESEL ENGINE -5	103
SPARE PARTS DIESEL ENGINE -6	105
SPARE PARTS DIESEL ENGINE -7	107
SPARE PARTS DIESEL ENGINE -8	109
SPARE PARTS DIESEL ENGINE -9	111
STEERING SCHEME	113
VAC FAN - PANEL FILTER ASSY	115
WIRING DIAGRAM 3 CYL. LPG - 1	117
WIRING DIAGRAM 3 CYL. LPG - 2	119
WIRING DIAGRAM 3 CYL. LPG - 3	121
33019571_SIDE BROOM PROTECTION KIT	123



Pos.	Artikel-Nr.	Menge	Variante	Notes
1		1	CHASSIS ASSEMBLY	[1]
2		1	HOPPER SYSTEM	[2]
3		1	VAC FAN ASSY	[3]
4		1	PANEL ASSY	[4]
5		1	POCKET FILTER ASSY	[5]
6		1	RIGHT SIDE BROOM ASSY	[6]
7		1	LEFT SIDE BROOM ASSY	[7]
8		1	HYDRAULIC PLANT ASSY	[8]
9		1	CONTROL ASSY	[9]
10		1	CONTROL PANEL AND RELAYS ASSY	[10]
11		1	REAR COVER ASSY	[11]
12		1	FUEL TANK ASSY	[12]
13		1	ENGINE 3 CYL DIESEL ASSY	[13]
14		1	MAIN BROOM SYSTEM	[14]
15	33019381	1	DECALS SR 1601 ENGINE KIT LABELS KIT SR 1601 D3	
16		1	LPG ASSY	[15]
17		1	ENGINE 3 CYL LPG ASSY	[16]

Part Notes:

- [1] - CHASSIS ASSEMBLY
- [2] - HOPPER SYSTEM
- [3] - VAC FAN
- [4] - PANEL FILTER ASSY
- [5] - POCKET FILTER
- [6] - RIGHT SIDE BROOM ASSY
- [7] - LEFT SIDE BROOM ASSY
- [8] - HYDRAULIC PLAN ASSY
- [9] - CONTROL ASSEMBLY
- [10] - PEDALS SYSTEM
- [11] - REAR COVER ASSY
- [12] - ASSY FUEL TANK
- [13] - ASSY DIESEL ENGINE
- [14] - GENERAL VIEW
- [15] - ASSY LPG SUPPORT
- [16] - ASSY LPG ENGINE

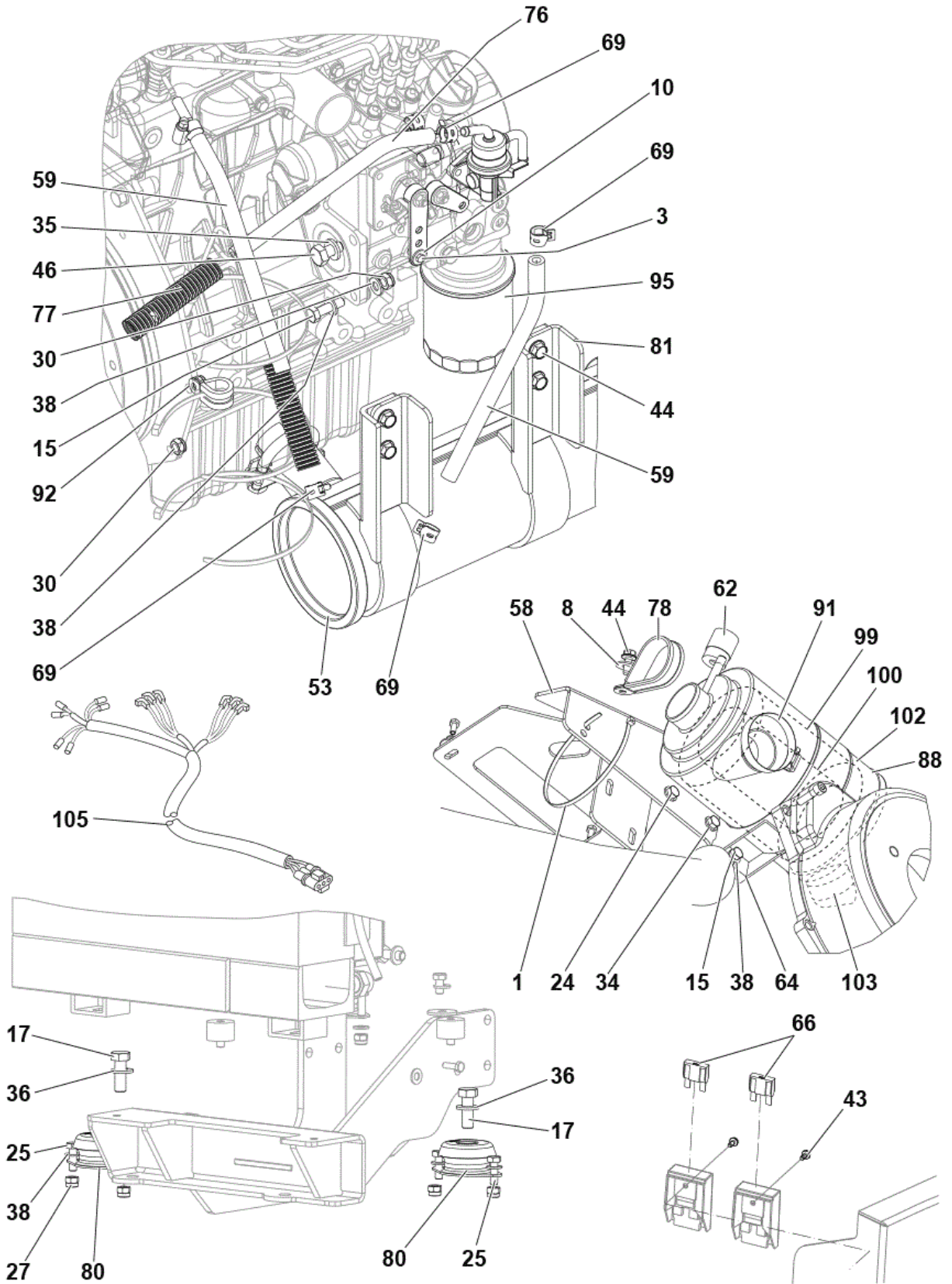


Pos.	Artikel-Nr.	Menge	Variante	Notes
1	1466344000	2	TIE CABLE 4.8X200 BLACK 10 PCS SET	
2	L08812349	1	Griff zu Saugfusshebel	
3	145 9366 000	1	Kabelöse	
4	33023594	1	CLAMP HOSE 8-12/9 DIN3017 2 PCS SET	
5	33003548	4	Schelle 30-45	
6	33003557	1	COLLAR	
47	33017208	1	BELLHOUSING CPL F KUBOTA ENGINE D1105	
48	33017209	1	SUPPORT REAR DIESEL ENGINE MET.	
49	33017210	2	SUPPORT FRONT DIESEL ENGINE GALV.	
50	33017211	1	Auspuffrohr	
51	33017226	1	BRACKET RADIATOR MOUNT UPPER	
52	33017227	1	BRACKET RADIATOR MOUNT UPPER	
53	33017231	1	Auspufftopf	
54	33023345	1	HOSE UPPER RADIATOR L.400MM SIP	
55	33021214	1	HOSE LOWER L.250MM RADIATOR SIP	
56	33022132	1	TUBE AIR INTAKE KIT	[1]
56	33021001	1	TUBE RUBBER DIESEL ENGINE AIR INTAKE	[2]
57	33023145	1	Schlauch Lufteinlass	
58	33021002	1	SUPPORT AIR FILTER MET.	[2]
59	33023426	2	HOSE FUEL D.7.9X14.3 L.1500MM SIP	
61	33017250	1	Gashebel	
62	33017251	1	INDICATOR RESTRICTION SIGNAL SERVICING	
63	33017253	1	SUPPORT FUEL FILTER MET.	
64	33017293	1	SUPPORT PLASTIC AIR FILTER	
65	33020344	1	CONNECTION PEDAL DIESEL KIT	[3]
65	33022112	1	CONNECTION PEDAL KIT	[4]
66	146 1873 000	2	Sicherung 50A	
67	33017441	1	BRACKET MET. F BATTERY GUIDE	
69	33023016	7	CLAMP 15/12	
70	33018468	1	Hebel f. Dieselpumpe	[5]
71	33018697	1	Lüfterrad D370	
72	33018813	1	PLATE RADIATOR RIGHT MET.	
73	33018814	1	GRILL SAFETY MET.	
74	33023427	1	HOSE FUEL D.7.9X14.3 L.350MM SIP	
75	33019106	1	CONDUIT CORRUGATED D.16.2 L.300MM SIP	
76	33023428	1	HOSE FUEL D.7.9X14.3 L.400MM PKD	
77	33019108	1	CONDUIT CORRUGATED D.16.2 L.350MM SIP	
78	33023619	3	CLAMP HOSE D.50 SIP	
79	33023805	1	ENGINE DIESEL D1105-E4B SIP	
80	33023297	4	VIBRATION DAMPER BELL SHAPED M12 D64 SIP	
81	33019467	2	STIFFENER MUFFLER MET.	
82	33019468	1	BRACKET F TANK WATER MET.	
83	33023298	1	Stossdämpfer Zyl. M8 M/F 2 Stk. Set	
84	9100001352	2	VIBRATION-DAMPING M6 60SH SIP	
85	33019551	1	FUEL HOSE 4X9 LENGH 25 MMKIT	
86	33019552	1	GASKET U SHAPED PVC L.130MM SIP	
87	1467085000	1	BATTERY START 12V 77 AH PKD	
88	145 0231 000	1	Filter (B02.03600)	
89	145 1179 000	1	Justierschraube	
91	146 0771 000	4	CLAMP	
92	909 5516 000	1	CLAMP HOSE D.18	
93	33019148	1	BELT ALTERNATOR	
94	33020381	1	Filterpatrone	
95	33018850	1	Oel Filter	
96	33019147	1	Generator 12V 60Ah	
97	33019149	1	STARTER 12V	
98	33019456	1	TANK WATER OVERFLOW W/MOUNT	
99	33020446	1	Luffilter	
100	33017438	1	FILTER SAFETY	

Pos.	Artikel-Nr.	Menge	Variante	Notes
102	33020445	1	BOTTOM FILTER	
103	33014386	1	EVACUATION VALVE	
105	33019244	1	HARNES DIESEL MOTOR KIT	
K1	33019119	1	ACCELERATOR KIT	[6]
K2	33019120	1	VIBRATION DAMPING ENGINE KIT	[7]
K3	33020419	1	VIBRATION DAMPING RADIATOR KIT	[8]
K4	33023429	1	HOSES DIESEL ENGINE 3 CYL KIT	[9]
K5	33020346	1	HARDWARE ENGINE DIESEL KIT	[10]
112	33020810	1	PULLEY D3 HT KUBOTA KIT	[11]
113	33021980	1	Pumpenkupplungskit	
114	33021581	1	WATER TEMPERATURE SENSOR KIT	[12]

Part Notes:

- [1] - UNTIL S/N 3810114900065
- [2] - STARTING FROM S/N 3810114900066
- [3] - UNTIL S/N 3810113400055
- [4] - STARTING FROM S/N 3810113400056
- [5] - GUARANTEE DATE EXPIRED
- UNTIL S/N 3810113400055
- [6] - NOT SHOWN - POS. 2-42-61
- [7] - NOT SHOWN - POS. 17-25-27-36-38-80
- [8] - NOT SHOWN - POS. 7-9-14-33-34-83-84-90
- [9] - NOT SHOWN - POS. 59-60-74-75-76-77-92
- [10] - NOT SHOWN - POS. 1-5-7-8-9-10-11-12-13-14-15-16-17-18-19-20-21-22-23-24-25-26-27-28-29-30-32-31-33-34-35-36-37-38
- [11] - NOT SHOWN - SEE INST. INSTR. 33020808
- [12] - NOT SHOWN



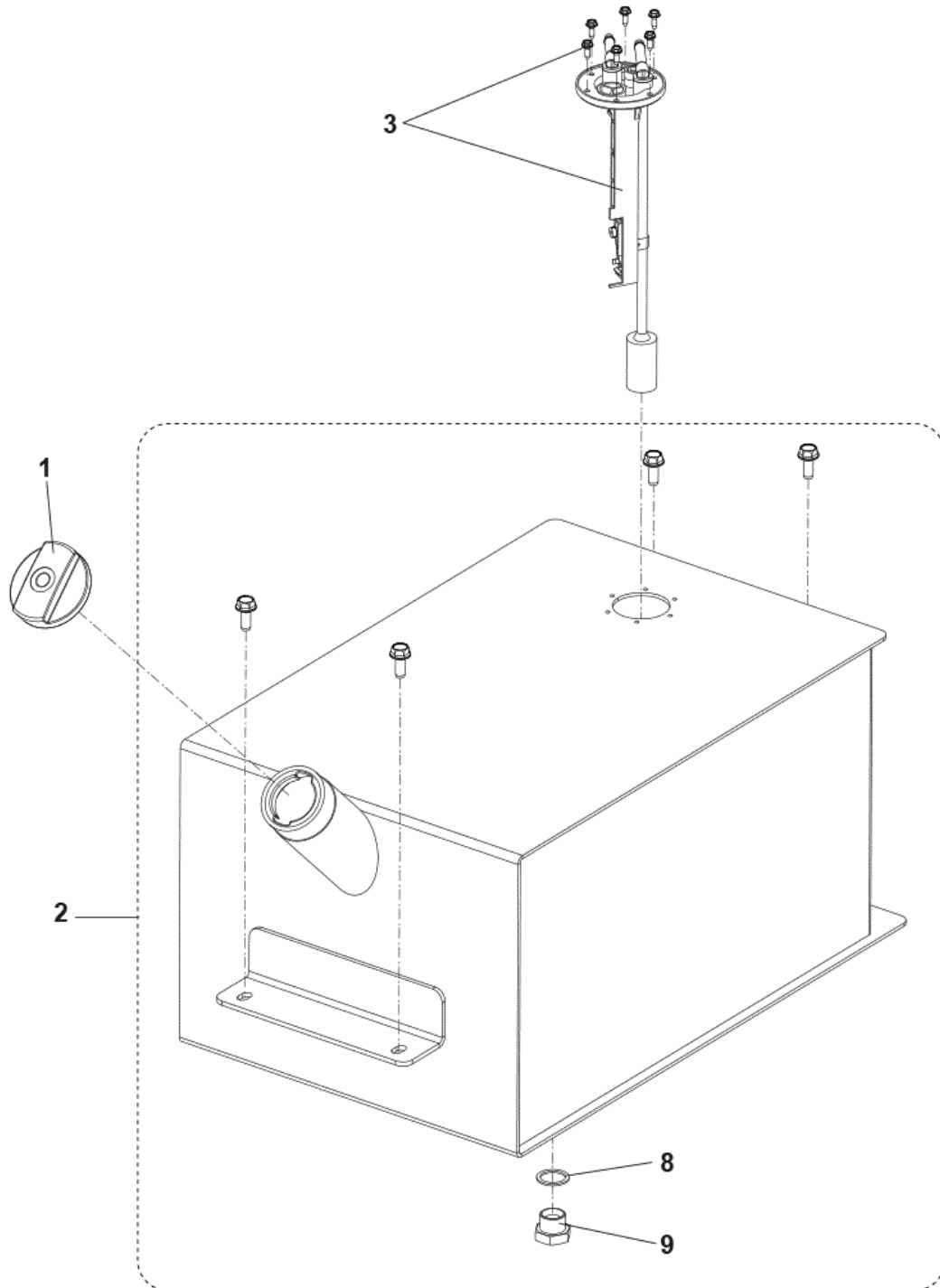
Pos.	Artikel-Nr.	Menge	Variante	Notes
1	1466344000	1	TIE CABLE 4.8X200 BLACK 10 PCS SET	
2	L08812349	1	Griff zu Saugfusshebel	
3	145 9366 000	1	Kabelöse	
4	33023594	1	CLAMP HOSE 8-12/9 DIN3017 2 PCS SET	
5	33003548	4	Schelle 30-45	
6	33003557	1	COLLAR	
47	33017208	1	BELLHOUSING CPL F KUBOTA ENGINE D1105	
48	33017209	1	SUPPORT REAR DIESEL ENGINE MET.	
49	33017210	2	SUPPORT FRONT DIESEL ENGINE GALV.	
50	33017211	1	Auspuffrohr	
51	33017226	1	BRACKET RADIATOR MOUNT UPPER	
52	33017227	1	BRACKET RADIATOR MOUNT UPPER	
53	33017231	1	Auspufftopf	
54	33023345	1	HOSE UPPER RADIATOR L.400MM SIP	
55	33021214	1	HOSE LOWER L.250MM RADIATOR SIP	
56	33022132	1	TUBE AIR INTAKE KIT	[1]
56	33021001	1	TUBE RUBBER DIESEL ENGINE AIR INTAKE	[2]
57	33023145	1	Schlauch Lufteinlass	
58	33021002	1	SUPPORT AIR FILTER MET.	[2]
59	33023426	2	HOSE FUEL D.7.9X14.3 L.1500MM SIP	
61	33017250	1	Gashebel	
62	33017251	1	INDICATOR RESTRICTION SIGNAL SERVICING	
63	33017253	1	SUPPORT FUEL FILTER MET.	
64	33017293	1	SUPPORT PLASTIC AIR FILTER	
65	33020344	1	CONNECTION PEDAL DIESEL KIT	[3]
65	33022112	1	CONNECTION PEDAL KIT	[4]
66	146 1873 000	2	Sicherung 50A	
67	33017441	1	BRACKET MET. F BATTERY GUIDE	
69	33023016	7	CLAMP 15/12	
70	33018468	1	Hebel f. Dieselpumpe	[5]
71	33018697	1	Lüfterrad D370	
72	33018813	1	PLATE RADIATOR RIGHT MET.	
73	33018814	1	GRILL SAFETY MET.	
74	33023427	1	HOSE FUEL D.7.9X14.3 L.350MM SIP	
75	33019106	1	CONDUIT CORRUGATED D.16.2 L.300MM SIP	
76	33023428	1	HOSE FUEL D.7.9X14.3 L.400MM PKD	
77	33019108	1	CONDUIT CORRUGATED D.16.2 L.350MM SIP	
78	33023619	3	CLAMP HOSE D.50 SIP	
79	33023805	1	ENGINE DIESEL D1105-E4B SIP	
80	33023297	4	VIBRATION DAMPER BELL SHAPED M12 D64 SIP	
81	33019467	2	STIFFENER MUFFLER MET.	
82	33019468	1	BRACKET F TANK WATER MET.	
83	33023298	1	Stossdämpfer Zyl. M8 M/F 2 Stk. Set	
84	9100001352	2	VIBRATION-DAMPING M6 60SH SIP	
85	33019551	1	FUEL HOSE 4X9 LENGH 25 MMKIT	
86	33019552	1	GASKET U SHAPED PVC L.130MM SIP	
87	1467085000	1	BATTERY START 12V 77 AH PKD	
88	145 0231 000	1	Filter (B02.03600)	
89	145 1179 000	1	Justierschraube	
91	146 0771 000	4	CLAMP	
92	909 5516 000	1	CLAMP HOSE D.18	
93	33019148	1	BELT ALTERNATOR	
94	33020381	1	Filterpatrone	
95	33018850	1	Oel Filter	
96	33019147	1	Generator 12V 60Ah	
97	33019149	1	STARTER 12V	
98	33019456	1	TANK WATER OVERFLOW W/MOUNT	
99	33020446	1	Luffilter	
100	33017438	1	FILTER SAFETY	

Pos.	Artikel-Nr.	Menge	Variante	Notes
102	33020445	1	BOTTOM FILTER	
103	33014386	1	EVACUATION VALVE	
105	33019244	1	HARNES DIESEL MOTOR KIT	
K1	33019119	1	ACCELERATOR KIT	[6]
K2	33019120	1	VIBRATION DAMPING ENGINE KIT	[7]
K3	33020419	1	VIBRATION DAMPING RADIATOR KIT	[8]
K4	33023429	1	HOSES DIESEL ENGINE 3 CYL KIT	[9]
K5	33020346	1	HARDWARE ENGINE DIESEL KIT	[10]
112	33020810	1	PULLEY D3 HT KUBOTA KIT	[11]
113	33021980	1	Pumpenkupplungskit	
114	33021581	1	WATER TEMPERATURE SENSOR KIT	[12]

Part Notes:

- [1] - UNTIL S/N 3810114900065
- [2] - STARTING FROM S/N 3810114900066
- [3] - UNTIL S/N 3810113400055
- [4] - STARTING FROM S/N 3810113400056
- [5] - GUARANTEE DATE EXPIRED

- UNTIL S/N 3810113400055
- [6] - NOT SHOWN - POS. 2-42-61
- [7] - NOT SHOWN - POS. 17-25-27-36-38-80
- [8] - NOT SHOWN - POS. 7-9-14-33-34-83-84-90
- [9] - NOT SHOWN - POS. 59-60-74-75-76-77-92
- [10] - NOT SHOWN - POS. 1-5-7-8-9-10-11-12-13-14-15-16-17-18-19-20-21-22-23-24-25-26-27-28-29-30-32-31-33-34-35-36-37-38
- [11] - NOT SHOWN - SEE INST. INSTR. 33020808
- [12] - NOT SHOWN



ASSY FUEL TANK

SR 1601 LPG3

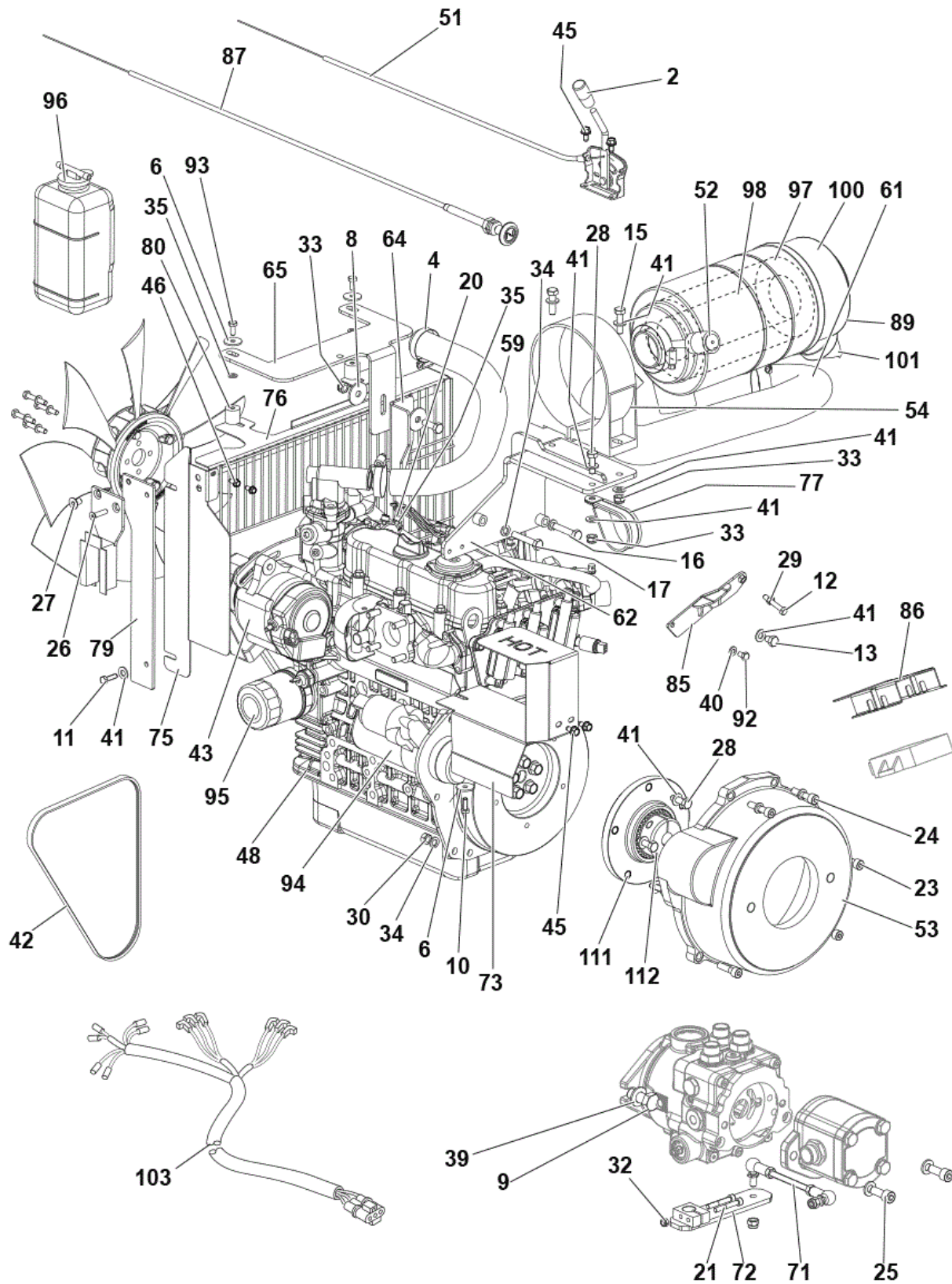
2018.06.06

2018.06.06

Pos.	Artikel-Nr.	Menge	Variante	Notes
1	33023342	1	CAP W/TETHER PKD	
2	33018863	1	TANK FUEL KIT	
3	33018864	1	Kraftstoff anzeige Kit	[1]
8	1466786000	1	GASKET COPPER 1/2 10 PCS SET	
9	33011456	1	PLUG 1/2	

Part Notes:

[1] - SEE INST. INSTR. 33021923



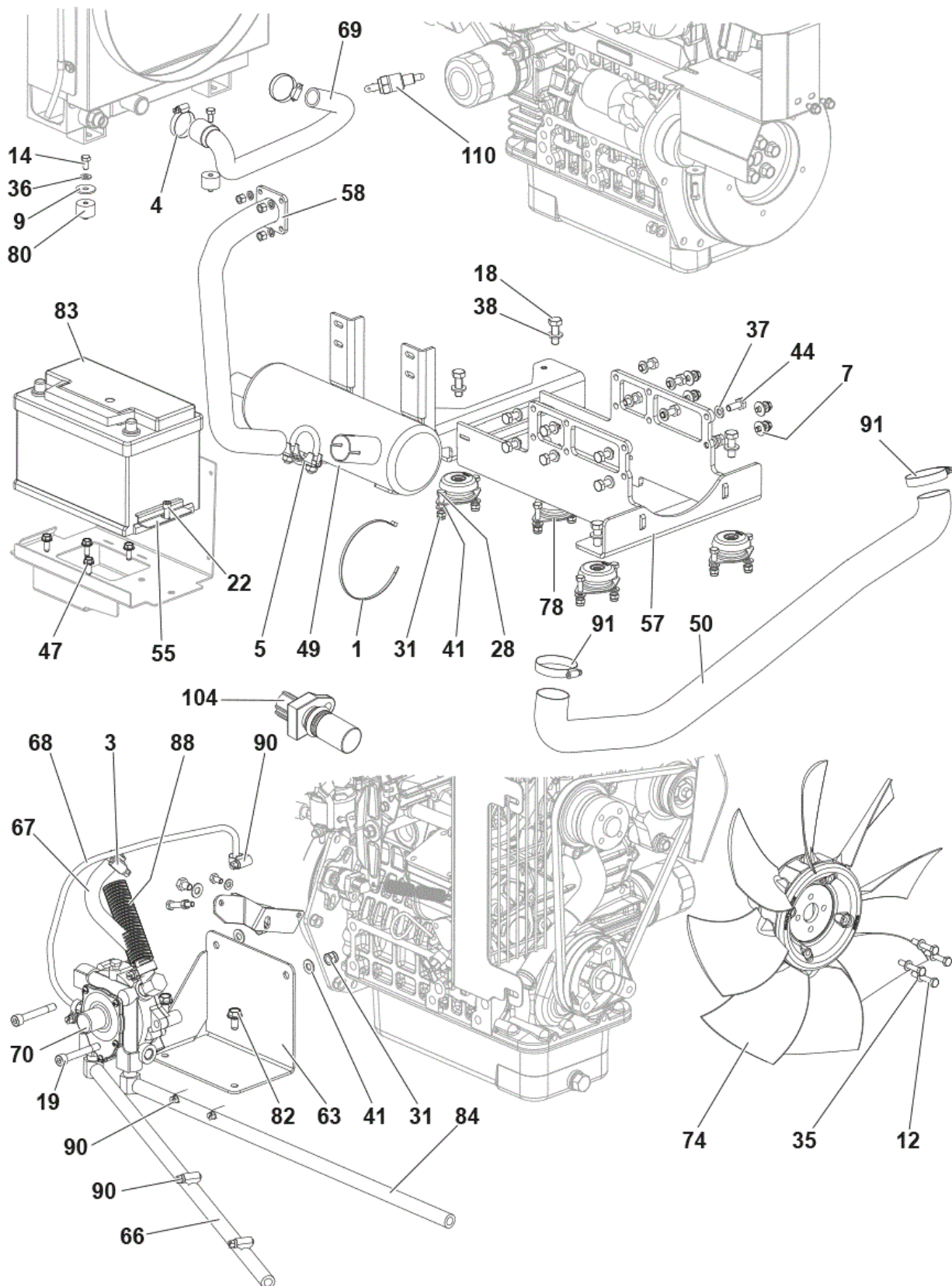
Pos.	Artikel-Nr.	Menge	Variante	Notes
1	1466344000	2	TIE CABLE 4.8X200 BLACK 10 PCS SET	
2	L08812349	1	Griff zu Saugfusshebel	
3	33003494	2	Schelle	
4	33003548	3	Schelle 30-45	
5	33003557	1	COLLAR	
42	33020018	1	Riemen	
43	33019147	1	Generator 12V 60Ah	
48	33017064	1	ENGINE PETROL-LPG 972 CC.	
49	33017231	1	Auspufftopf	
50	33023145	1	Schlauch Lufteinlass	
51	33017250	1	Gashebel	
52	33017251	1	INDICATOR RESTRICTION SIGNAL SERVICING	
53	33017265	1	BELLOUSING CPL F KUBOTA ENGINE DF972	
54	33017293	1	SUPPORT PLASTIC AIR FILTER	
55	33017441	1	BRACKET MET. F BATTERY GUIDE	
57	33017913	1	SUPPORT MOTOR	
58	33017914	1	Auspuffrohr	
59	33017915	1	HOSE UPPER RADIATOR L.440MM SIP	
61	33020516	1	TUBE RUBBER LPG ENGINE AIR INTAKE	
62	33017918	1	PLATE	
63	33017919	1	SUPPORT LPG REGULATOR MET. BLACK	
64	33018002	1	BRACKET ENGINE LATERAL	
65	33018003	1	BRACKET RADIATOR LATERAL	
66	33018004	1	HOSE OIL DRAIN D.10X17 L.650MM SIP	
67	33021152	1	HOSE FUEL ECE67 CL.2 D.12X19 L.290MM SIP	
68	33023464	1	HOSE FUEL D.4.8X10.3 L.650MM KIT	
69	33020453	1	TUBE RUBBER LOWER F RADIATOR	
70	33021334	1	REGULATOR LPG KIT	
71	33020345	1	CONNECTION PEDAL LPG KIT	[1]
71	33022168	1	CONNECTION PEDAL PETROL-LPG KIT	[2]
72	33018468	1	Hebel f. Dieselpumpe	[3]
73	33018628	1	CRANKCASE MUFFLER PROTECTION	
74	33018697	1	Lüfterrad D370	
75	33018813	1	PLATE RADIATOR RIGHT MET.	
76	33018814	1	GRILL SAFETY MET.	
77	33023619	1	CLAMP HOSE D.50 SIP	
78	33023297	4	VIBRATION DAMPER BELL SHAPED M12 D64 SIP	
79	33019468	1	BRACKET F TANK WATER MET.	
82	33019622	2	SCREW M8X16 HEX HD FLA THD FORM DIN7500	
80	33019121	1	VIBRATION DAMPING RADIATOR KIT	
83	1467085000	1	BATTERY START 12V 77 AH PKD	
84	33019894	1	HOSE OIL DRAIN L.540MM SIP	
85	33020208	1	BRACKET RPM SETTING	
86	33020209	1	PLATE PROTECTION	
87	33023158	1	CABLE STARTER KIT	
88	33020330	1	CONDUIT CORRUGATED D.21.6 L.240MM SIP	
89	145 0231 000	1	Filter (B02.03600)	
90	33023593	3	Schlauchbriede 8-16/9 DIN3017, 2 St.	
91	146 0771 000	3	CLAMP	
94	33020017	1	Starter 12V Benzinmotor	
95	33018851	1	Motorölfilter	
96	33019456	1	TANK WATER OVERFLOW W/MOUNT	
97	33020446	1	Luftfilter	
98	33017438	1	FILTER SAFETY	
100	33020445	1	BOTTOM FILTER	
101	33014386	1	EVACUATION VALVE	
102	33020453	1	TUBE RUBBER LOWER F RADIATOR	
103	33020347	1	HARNES ENGINE LPG KIT	
104	33022568	1	SENSOR LVP	

Pos.	Artikel-Nr.	Menge	Variante	Notes
K1	33019119	1	ACCELERATOR KIT	[4]
K2	33019120	1	VIBRATION DAMPING ENGINE KIT	[5]
K3	33020419	1	VIBRATION DAMPING RADIATOR KIT	[6]
K4	33020349	1	HARDWARE ENGINE LPG KIT	[7]
110	33021335	1	THERMOSTAT TEMPERATURE WATER	
111	33023137	1	FLANGE BELLHOUSING KUBOTA ENG. DF972 PKD	
112	33023138	1	HUB BELL HOUSING ENGINE SIP	
113	33023358	1	GASKETS AND HW F MUFFLER LPG US KIT	[8]

Part Notes:

- [1] - UNTIL S/N 3810113400055
- [2] - STARTING FROM S/N 3810113400056
- [3] - GUARANTEE DATE EXPIRED

- UNTIL S/N 3810113400055
- [4] - NOT SHOWN - POS. 2-45-51
- [5] - NOT SHOWN - POS. 78-41-38-31-28-18
- [6] - NOT SHOWN - POS. 6-8-14-35-36-80-81-93
- [7] - NOT SHOWN - POS. 3-4-5-6-7-8-9-10-11-12-13-14-15-16-17-18-19-20-21-22-23-24-25-26-27-28-29-30-31-32-33-34-35-36-37-38-39-40-41-44-46-47-82-82-93
- [8] - NOT SHOWN



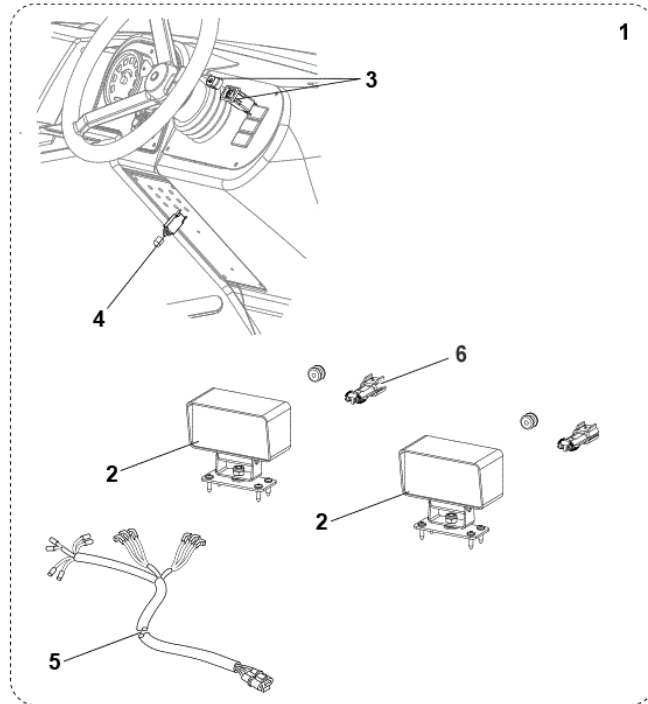
Pos.	Artikel-Nr.	Menge	Variante	Notes
1	1466344000	1	TIE CABLE 4.8X200 BLACK 10 PCS SET	
2	L08812349	1	Griff zu Saugfusshebel	
3	33003494	2	Schelle	
4	33003548	5	Schelle 30-45	
5	33003557	1	COLLAR	
42	33020018	1	Riemen	
43	33019147	1	Generator 12V 60Ah	
48	33017064	1	ENGINE PETROL-LPG 972 CC.	
49	33017231	1	Auspufftopf	
50	33023145	1	Schlauch Lufteinlass	
51	33017250	1	Gashebel	
52	33017251	1	INDICATOR RESTRICTION SIGNAL SERVICING	
53	33017265	1	BELLOUSING CPL F KUBOTA ENGINE DF972	
54	33017293	1	SUPPORT PLASTIC AIR FILTER	
55	33017441	1	BRACKET MET. F BATTERY GUIDE	
57	33017913	1	SUPPORT MOTOR	
58	33017914	1	Auspuffrohr	
59	33017915	1	HOSE UPPER RADIATOR L.440MM SIP	
61	33020516	1	TUBE RUBBER LPG ENGINE AIR INTAKE	
62	33017918	1	PLATE	
63	33017919	1	SUPPORT LPG REGULATOR MET. BLACK	
64	33018002	1	BRACKET ENGINE LATERAL	
65	33018003	1	BRACKET RADIATOR LATERAL	
66	33018004	1	HOSE OIL DRAIN D.10X17 L.650MM SIP	
67	33021152	1	HOSE FUEL ECE67 CL.2 D.12X19 L.290MM SIP	
68	33023464	1	HOSE FUEL D.4.8X10.3 L.650MM KIT	
69	33020453	1	TUBE RUBBER LOWER F RADIATOR	
70	33021334	1	REGULATOR LPG KIT	
71	33020345	1	CONNECTION PEDAL LPG KIT	[1]
71	33022168	1	CONNECTION PEDAL PETROL-LPG KIT	[2]
72	33018468	1	Hebel f. Dieselpumpe	[3]
73	33018628	1	CRANKCASE MUFFLER PROTECTION	
74	33018697	1	Lüfterrad D370	
75	33018813	1	PLATE RADIATOR RIGHT MET.	
76	33018814	1	GRILL SAFETY MET.	
77#	33023619	1	CLAMP HOSE D.50 SIP	
78	33023297	4	VIBRATION DAMPER BELL SHAPED M12 D64 SIP	
79	33019468	1	BRACKET F TANK WATER MET.	
80	33019121	1	VIBRATION DAMPING RADIATOR KIT	
83	1467085000	1	BATTERY START 12V 77 AH PKD	
84	33019894	1	HOSE OIL DRAIN L.540MM SIP	
85	33020208	1	BRACKET RPM SETTING	
86	33020209	1	PLATE PROTECTION	
87	33023158	1	CABLE STARTER KIT	
88	33020330	1	CONDUIT CORRUGATED D.21.6 L.240MM SIP	
89	145 0231 000	1	Filter (B02.03600)	
90#	33023593	3	Schlauchbriede 8-16/9 DIN3017, 2 St.	
91	146 0771 000	3	CLAMP	
94	33020017	1	Starter 12V Benzinmotor	
95	33018851	1	Motorölfilter	
96	33019456	1	TANK WATER OVERFLOW W/MOUNT	
97	33020446	1	Luftfilter	
98	33017438	1	FILTER SAFETY	
100	33020445	1	BOTTOM FILTER	
101	33014386	1	EVACUATION VALVE	
103	33020347	1	HARNES ENGINE LPG KIT	
104	33022568	1	SENSOR LVP	
K1	33019119	1	ACCELERATOR KIT	[4]
K2	33019120	1	VIBRATION DAMPING ENGINE KIT	[5]

Pos.	Artikel-Nr.	Menge	Variante	Notes
K3	33020419	1	VIBRATION DAMPING RADIATOR KIT	[6]
K4	33020349	1	HARDWARE ENGINE LPG KIT	[7]
110	33021335	1	THERMOSTAT TEMPERATURE WATER	
111	33023137	1	FLANGE BELLHOUSING KUBOTA ENG. DF972 PKD	
112	33023138	1	HUB BELL HOUSING ENGINE SIP	
113	33023358	1	GASKETS AND HW F MUFLER LPG US KIT	[8]

Part Notes:

- [1] - UNTIL S/N 3810113400055
- [2] - STARTING FROM S/N 3810113400056
- [3] - GUARANTEE DATE EXPIRED

- UNTIL S/N 3810113400055
- [4] - NOT SHOWN - POS. 2-45-51
- [5] - NOT SHOWN - POS. 18-28-31-38-41-78
- [6] - NOT SHOWN - POS.6-8-14-35-36-80-81-93
- [7] - NOT SHOWN - POS. 3-4-5-6-7-8-9-10-11-12-13-14-15-16-17-18-19-20-21-22-23-24-25-26-27-28-29-30-31-32-33-34-35-36-37-38-39-40-41-44-46-47-82-82-93
- [8] - NOT SHOWN



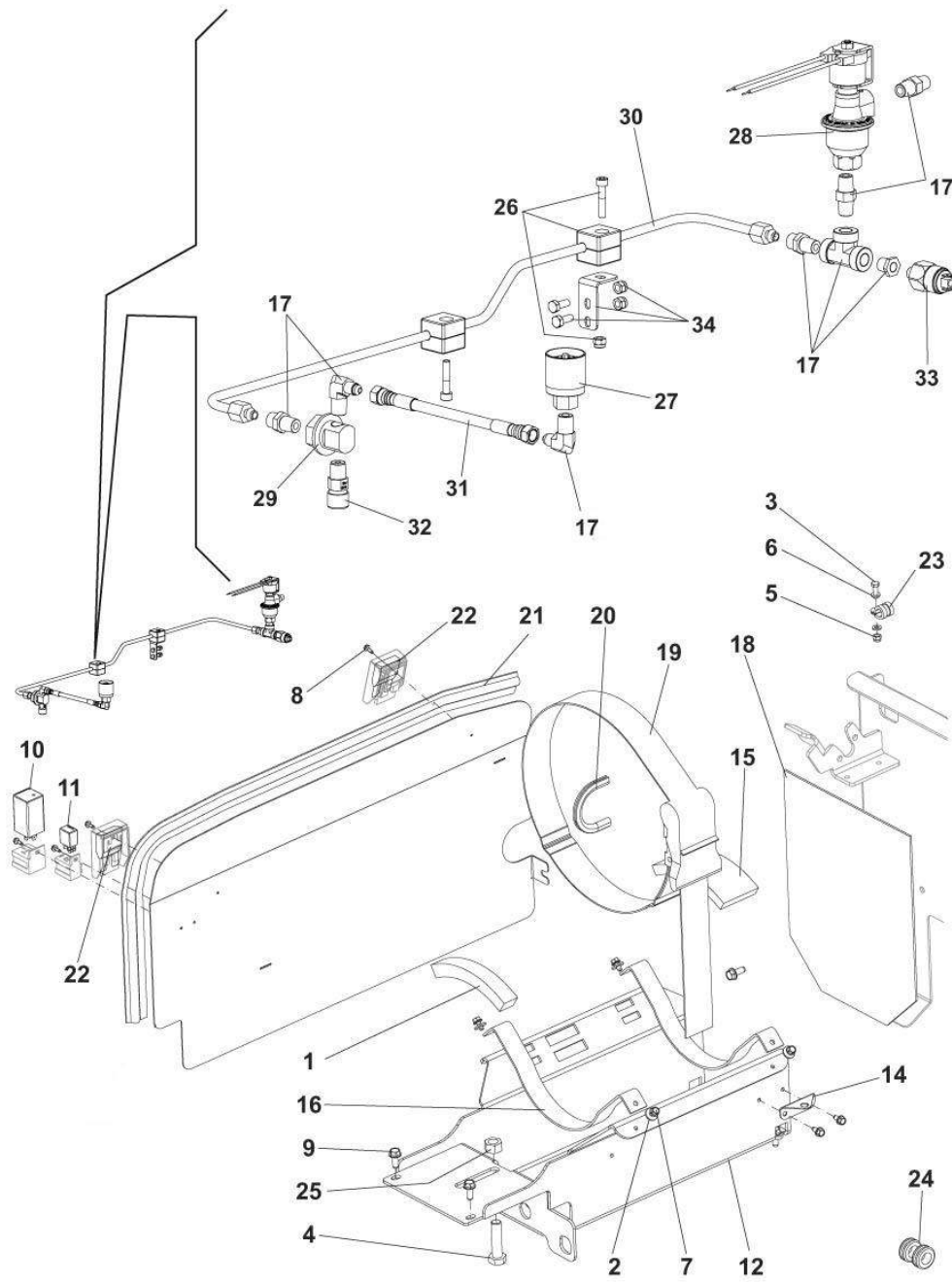
Pos.	Artikel-Nr.	Menge	Variante	Notes
1	33023682	1	LIGHT FRONT LED 12V KIT	[1]
2	33023717	2	LIGHT WORK LED 10-30V 18W KIT	[2]
3	33019736	1	SWITCH FRONT LIGHT KIT	
4	33023236	1	CIRCUIT BREAKER 10A PKD	
5	33019220	1	HARNESS FRONT HEADLIGHT 24 V	
6	1467754000	2	CONNECTOR 2 WAYS KIT	

Part Notes:

- [1] - NEVER LAUNCHED
OPTIONAL - SEE INST. INSTR. 33023683
- [2] - SEE PI 2017-002

DE TSB-FC-2017-065 SR1601 Neue Scheinwerfer vorne

TSB-FC-2017-065 SR1601 new headlight



ASSY LPG SUPPORT (FOR MACHINE STARTING FROM JAN 2012)

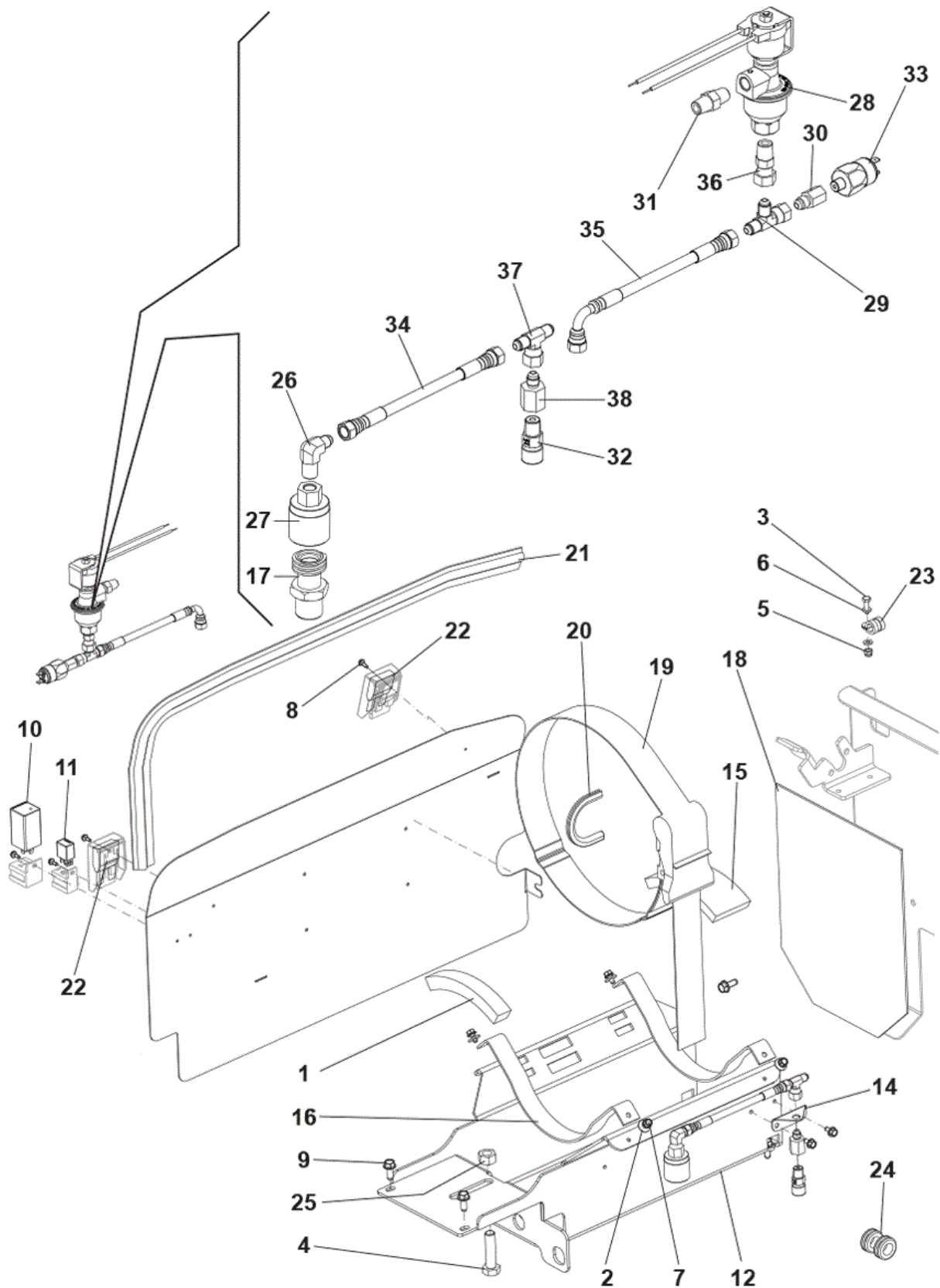
SR 1601 LPG3

2018.05.21

Pos.	Artikel-Nr.	Menge	Variante	Notes
1	33020059	1	GASKET ADHESIVE	
10	1466195000	1	TIMER PKD	
11	33009141	1	RELAY 12V COM1	
12	33018366	1	SUPPORT LPG TANK MET. GREY	
14	33019841	1	BRACKET FOR FITTING	[1]
15	33019908	1	GASKET TANK LPG	
16	33019909	2	PROTECTION RUBBER F LPG TANK HOUSING	
17	33022438	1	FITTINGS LPG KIT	
18	33019929	1	RUBBER GAS TANK	
19	1467064000	1	BAND POLYESTER W/RACKET SIP	
20	33020027	1	GASKET U SHAPED PVC L.150MM	
21	33020028	1	GASKET BULB REINFORCED L.995MM	
22	146 1873 000	2	Sicherung 50A	
23	909 5896 000	4	Befestigung f. Schlauch	
26	33022437	1	PLATE FIXING KIT	
27	33019848	1	CONNECTOR CHECK 1/4 NPT	
28	33017756	1	Magnetventil 12V	
29	1463840000	1	FITTING 1/4 A-A-A NPT	
30	33022117	1	PIPE D.8MM GALVANIZED F LPG	
31	33022345	1	LPG HOSE KIT	
32	1467063000	1	VALVE SECURITY 400PSI SIP	
33	33022289	1	Druckschalter	
34	33022436	1	FIXING HOSE KIT	
K1	33020343	1	HARDWARE SUPPORT TANK KIT	[2]

Part Notes:

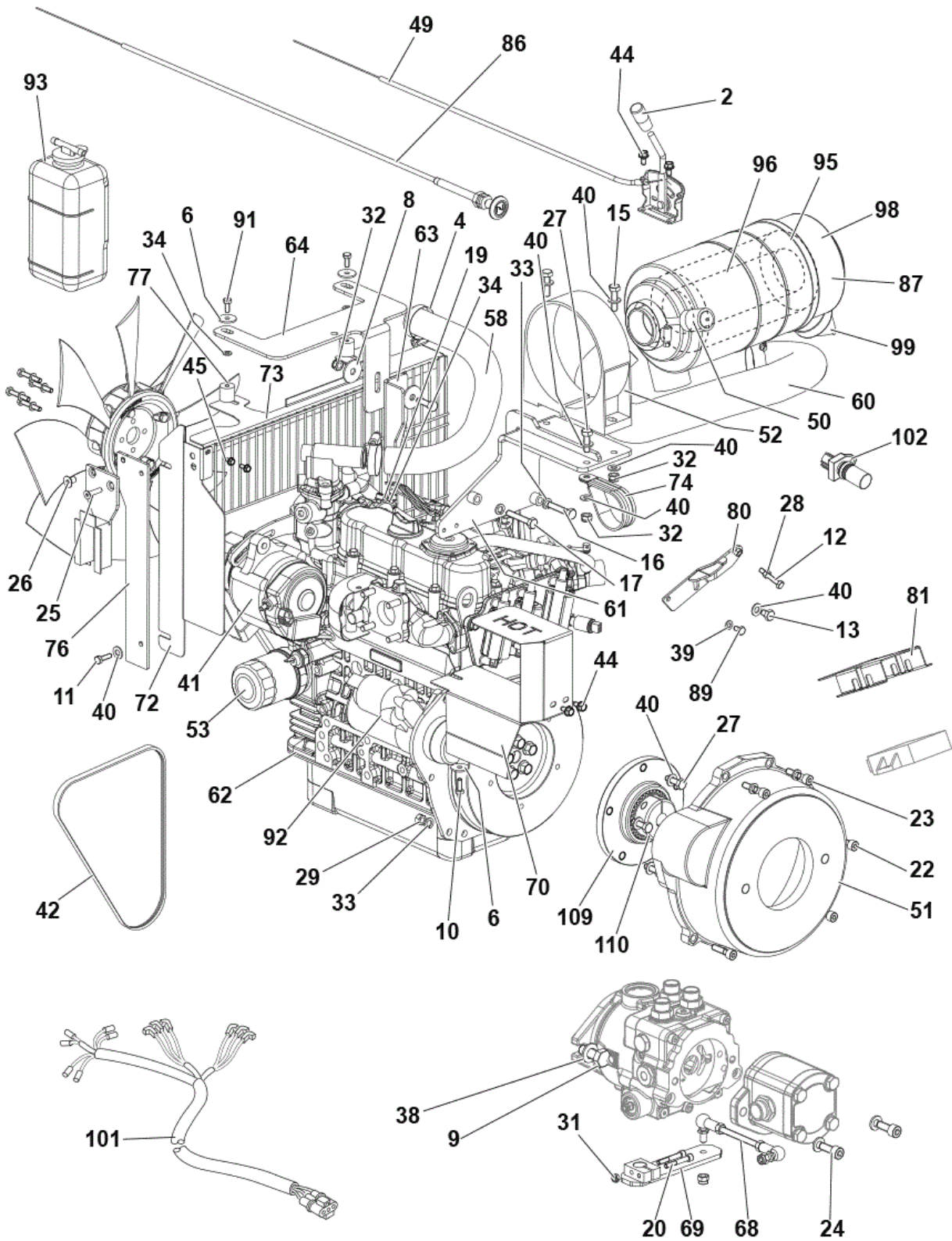
- [1] - NO LONGER AVAILABLE
- [2] - NOT SHOWN - POS. 2-3-4-5-6-7-8-9-24-25



Pos.	Artikel-Nr.	Menge	Variante	Notes
1	33020059	1	GASKET ADHESIVE	
10	1466195000	1	TIMER PKD	
11	33009141	1	RELAY 12V COM1	
12	33018366	1	SUPPORT LPG TANK MET. GREY	
14	33019841	1	BRACKET FOR FITTING	[1]
15	33019908	1	GASKET TANK LPG	
16	33019909	2	PROTECTION RUBBER F LPG TANK HOUSING	
18	33019929	1	RUBBER GAS TANK	
19	1467064000	1	BAND POLYESTER W/RACKET SIP	
20	33020027	1	GASKET U SHAPED PVC L.150MM	
21	33020028	1	GASKET BULB REINFORCED L.995MM	
22	146 1873 000	2	Sicherung 50A	
23	909 5896 000	4	Befestigung f. Schlauch	
27	33019848	1	CONNECTOR CHECK 1/4 NPT	
28	33017756	1	Magnetventil 12V	
32	1467063000	1	VALVE SECURITY 400PSI SIP	
33	33022290	1	SWITCH PRESSURE 1.1 BAR PKD	
34	33019309	1	HOSE GPL LENGH 620	
35	33019310	1	HOSE GPL LENGH 1450	[2]
41	33020327	1	CONNECTOR VALVE CHECK 1-1/4 M 3/8 F	
K1	33020417	1	FITTINGS SOLENOID VALVE KIT	[3]
K2	33020343	1	HARDWARE SUPPORT TANK KIT	[4]

Part Notes:

- [1] - NO LONGER AVAILABLE
 [2] - NO LONGER AVAILABLE
 UNTIL S/N 3810115200001
 [3] - NOT SHOWN - POS. 26-29-30-31-36-37-38
 [4] - NOT SHOWN - POS. 1-2-3-4-5-6-7-8-9-24-25



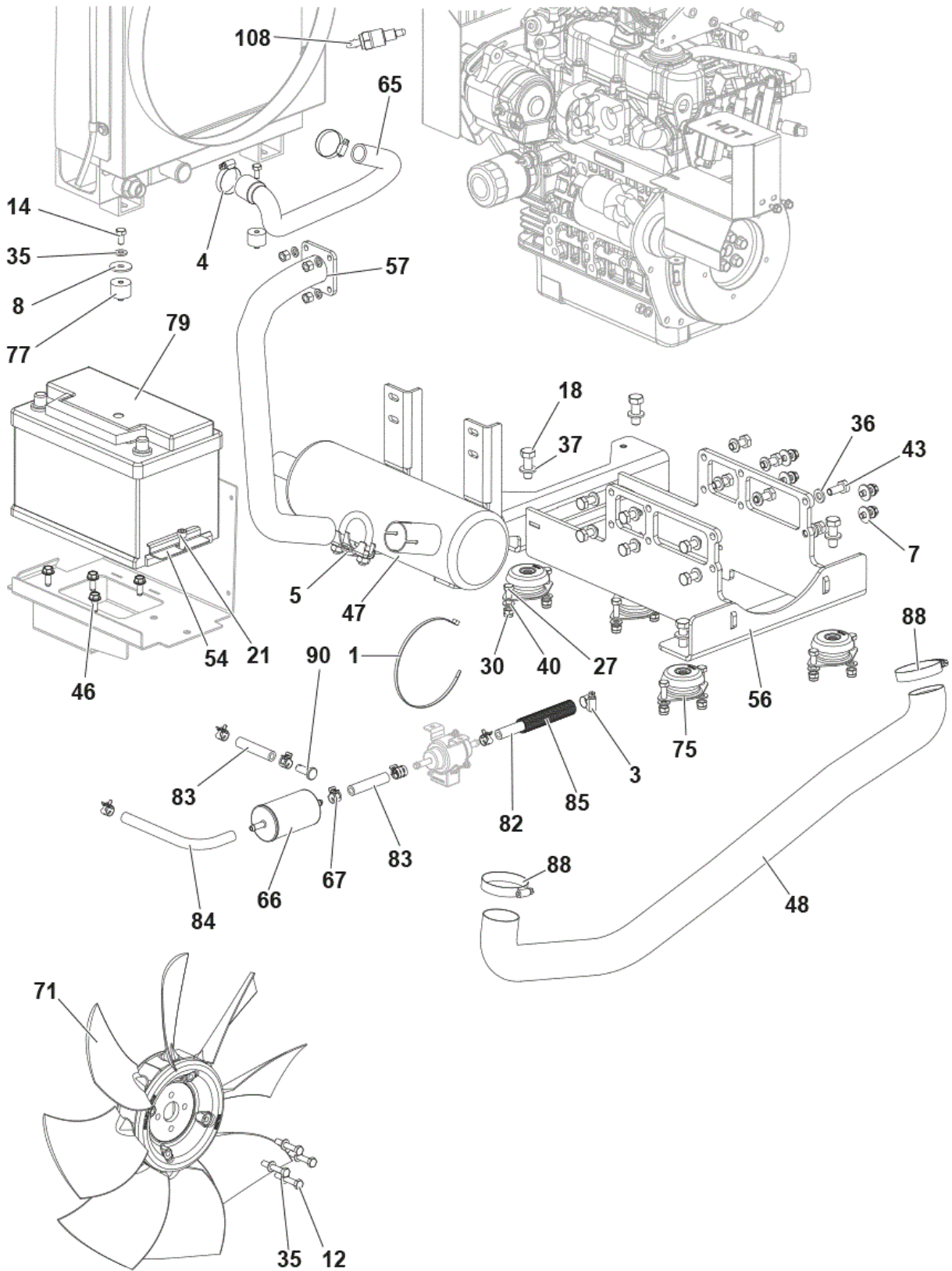
Pos.	Artikel-Nr.	Menge	Variante	Notes
1	1466344000	2	TIE CABLE 4.8X200 BLACK 10 PCS SET	
2	L08812349	1	Griff zu Saugfusshebel	
3	33023594	3	CLAMP HOSE 8-12/9 DIN3017 2 PCS SET	
4	33003548	5	Schelle 30-45	
5	33003557	1	COLLAR	
41	33019147	1	Generator 12V 60Ah	
42	33020018	1	Riemen	
47	33017231	1	Auspufftopf	
48	33023145	1	Schlauch Lufteinlass	
49	33017250	1	Gashebel	
50	33017251	1	INDICATOR RESTRICTION SIGNAL SERVICING	
51	33017265	1	BELLHOUSING CPL F KUBOTA ENGINE DF972	
52	33017293	1	SUPPORT PLASTIC AIR FILTER	
53	33018851	1	Motorölfilter	
54	33017441	1	BRACKET MET. F BATTERY GUIDE	
56	33017913	1	SUPPORT MOTOR	
57	33017914	1	Auspuffrohr	
58	33017915	1	HOSE UPPER RADIATOR L.440MM SIP	
60	33020516	1	TUBE RUBBER LPG ENGINE AIR INTAKE	
61	33017918	1	PLATE	
62	33017064	1	ENGINE PETROL-LPG 972 CC.	
63	33018002	1	BRACKET ENGINE LATERAL	
64	33018003	1	BRACKET RADIATOR LATERAL	
59	33020453	1	TUBE RUBBER LOWER F RADIATOR	
66	33018372	1	FILTER FUEL	[1]
67	33023016	7	CLAMP 15/12	
68	33020345	1	CONNECTION PEDAL LPG KIT	[2]
68	33022168	1	CONNECTION PEDAL PETROL-LPG KIT	[3]
69	33018468	1	Hebel f. Dieselpumpe	[4]
70	33018628	1	CRANKCASE MUFFLER PROTECTION	
71	33018697	1	Lüfterrad D370	
72	33018813	1	PLATE RADIATOR RIGHT MET.	
73	33018814	1	GRILL SAFETY MET.	
74	33023619	1	CLAMP HOSE D.50 SIP	
75	33023297	4	VIBRATION DAMPER BELL SHAPED M12 D64 SIP	
76	33019468	1	BRACKET F TANK WATER MET.	
77	33019121	1	VIBRATION DAMPING RADIATOR KIT	
79	1467085000	1	BATTERY START 12V 77 AH PKD	
80	33020208	1	BRACKET RPM SETTING	
81	33020209	1	PLATE PROTECTION	
82	33023430	1	HOSE FUEL D.7.9X14.3 L.250MM SIP	
83	33023431	2	HOSE FUEL D.7.9X14.3 L.70MM SIP	
84	33023432	1	HOSE FUEL D.7.9X14.3 L.1260MM SIP	
85	33020228	1	CONDUIT CORRUGATED D.16.2 L.1200MM SIP	
86	33023158	1	CABLE STARTER KIT	
87	145 0231 000	1	Filter (B02.03600)	
88	146 0771 000	3	CLAMP	
92	33020017	1	Starter 12V Benzinmotor	
93	33019456	1	TANK WATER OVERFLOW W/MOUNT	
95	33020446	1	Luffilter	
96	33017438	1	FILTER SAFETY	
98	33020445	1	BOTTOM FILTER	
99	33014386	1	EVACUATION VALVE	
101	33019243	1	HARNES MOTOR PETROL KIT	[5]
102	33022568	1	SENSOR LVP	
K1	33019119	1	ACCELERATOR KIT	[6]
K2	33019120	1	VIBRATION DAMPING ENGINE KIT	[7]
K3	33020419	1	VIBRATION DAMPING RADIATOR KIT	[8]
K4	33023433	1	HOSES PETROL KIT	[9]

Pos.	Artikel-Nr.	Menge	Variante	Notes
K5	33020349	1	HARDWARE ENGINE LPG KIT	[10]
108	33021335	1	THERMOSTAT TEMPERATURE WATER	
109	33023137	1	FLANGE BELLHOUSING KUBOTA ENG. DF972 PKD	
110	33023138	1	HUB BELL HOUSING ENGINE SIP	
113	33023359	1	GASKETS AND HW F MUFFLER P/LPG KIT	[11]

Part Notes:

- [1] - GUARANTEE DATE EXPIRED
- [2] - UNTIL S/N 3810113400055
- [3] - STARTING FROM S/N 3810113400056
- [4] - GUARANTEE DATE EXPIRED

UNTIL S/N 3810113400055
- [5] - SEE PI 2017-002
- [6] - NOT SHOWN - POS. 2-44-49
- [7] - NOT SHOWN - POS. 18-27-30-37-40-75
- [8] - NOT SHOWN - POS. 6-8-14-34-35-77-78-91
- [9] - NOT SHOWN - POS. 3-67-82-83-84-85-90
- [10] - NOT SHOWN - POS. 6-7-8-9-10-11-12-13-14-15-16-17-18-19-20-21-22-23-24-25-26-27-28-29-30-31-32-33-34-35-36-37-38-39-40-43-44-45-46-74-89-91
- [11] - NOT SHOWN



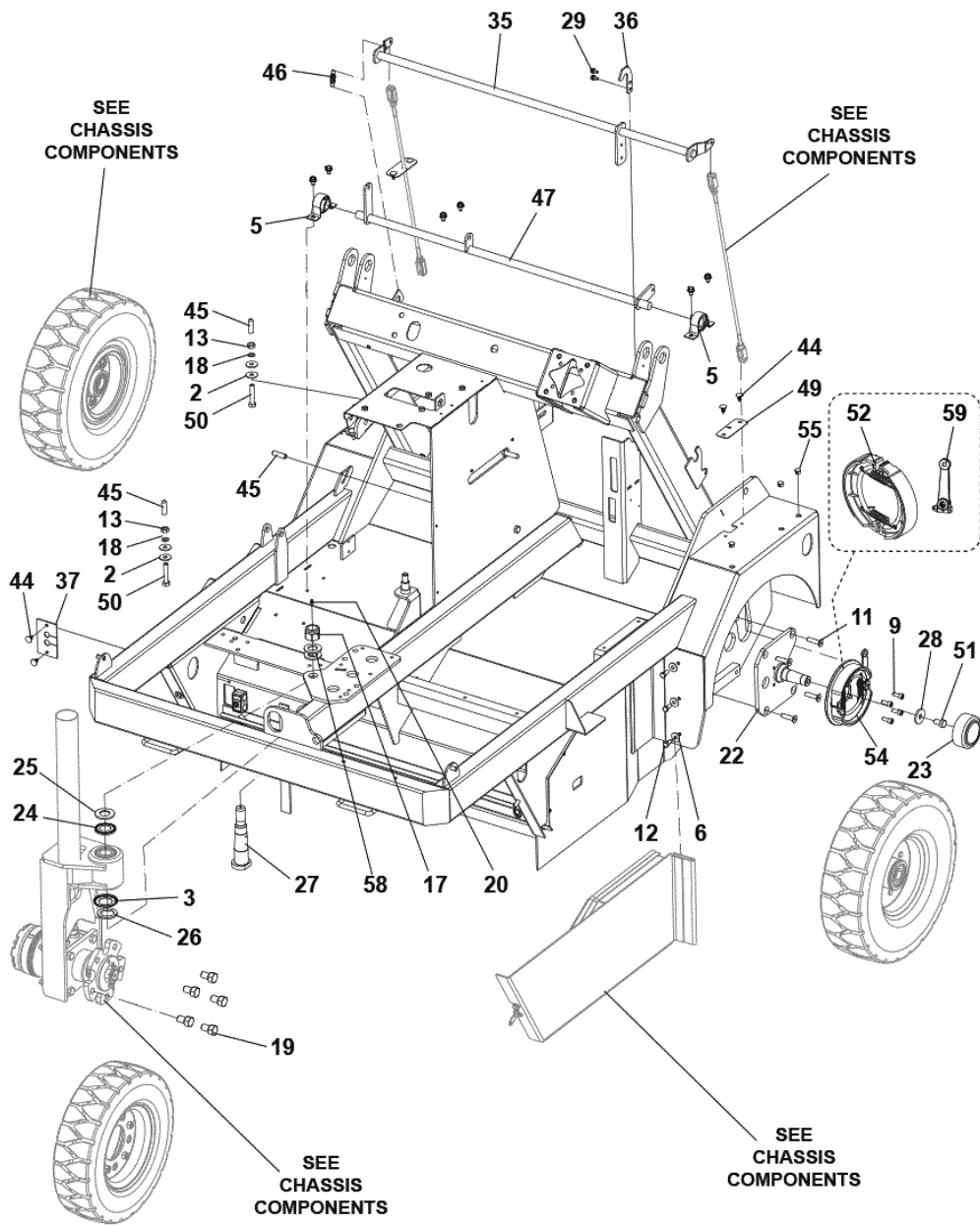
Pos.	Artikel-Nr.	Menge	Variante	Notes
1	1466344000	2	TIE CABLE 4.8X200 BLACK 10 PCS SET	
2	L08812349	1	Griff zu Saugfusshebel	
3	33023594	3	CLAMP HOSE 8-12/9 DIN3017 2 PCS SET	
4	33003548	5	Schelle 30-45	
5	33003557	1	COLLAR	
41	33019147	1	Generator 12V 60Ah	
42	33020018	1	Riemen	
47	33017231	1	Auspufftopf	
48	33023145	1	Schlauch Lufteinlass	
49	33017250	1	Gashebel	
50	33017251	1	INDICATOR RESTRICTION SIGNAL SERVICING	
51	33017265	1	BELLHOUSING CPL F KUBOTA ENGINE DF972	
52	33017293	1	SUPPORT PLASTIC AIR FILTER	
53	33018851	1	Motorölfilter	
54	33017441	1	BRACKET MET. F BATTERY GUIDE	
56	33017913	1	SUPPORT MOTOR	
57	33017914	1	Auspuffrohr	
58	33017915	1	HOSE UPPER RADIATOR L.440MM SIP	
60	33020516	1	TUBE RUBBER LPG ENGINE AIR INTAKE	
61	33017918	1	PLATE	
62	33017064	1	ENGINE PETROL-LPG 972 CC.	
63	33018002	1	BRACKET ENGINE LATERAL	
64	33018003	1	BRACKET RADIATOR LATERAL	
65	33020453	1	TUBE RUBBER LOWER F RADIATOR	
66	33018372	1	FILTER FUEL	[1]
67	33023016	7	CLAMP 15/12	
68	33020345	1	CONNECTION PEDAL LPG KIT	[2]
68	33022168	1	CONNECTION PEDAL PETROL-LPG KIT	[3]
69	33018468	1	Hebel f. Dieselpumpe	[4]
70	33018628	1	CRANKCASE MUFFLER PROTECTION	
71	33018697	1	Lüfterrad D370	
72	33018813	1	PLATE RADIATOR RIGHT MET.	
73	33018814	1	GRILL SAFETY MET.	
74	33023619	1	CLAMP HOSE D.50 SIP	
75	33023297	4	VIBRATION DAMPER BELL SHAPED M12 D64 SIP	
76	33019468	1	BRACKET F TANK WATER MET.	
77	33019121	1	VIBRATION DAMPING RADIATOR KIT	
79	1467085000	1	BATTERY START 12V 77 AH PKD	
80	33020208	1	BRACKET RPM SETTING	
81	33020209	1	PLATE PROTECTION	
82	33023430	1	HOSE FUEL D.7.9X14.3 L.250MM SIP	
83	33023431	2	HOSE FUEL D.7.9X14.3 L.70MM SIP	
84	33023432	1	HOSE FUEL D.7.9X14.3 L.1260MM SIP	
85	33020228	1	CONDUIT CORRUGATED D.16.2 L.1200MM SIP	
86	33023158	1	CABLE STARTER KIT	
87	145 0231 000	1	Filter (B02.03600)	
88	146 0771 000	3	CLAMP	
92	33020017	1	Starter 12V Benzinmotor	
93	33019456	1	TANK WATER OVERFLOW W/MOUNT	
95	33020446	1	Luffilter	
96	33017438	1	FILTER SAFETY	
98	33020445	1	BOTTOM FILTER	
99	33014386	1	EVACUATION VALVE	
101	33019243	1	HARNES MOTOR PETROL KIT	[5]
102	33022568	1	SENSOR LVP	
K1	33019119	1	ACCELERATOR KIT	[6]
K2	33019120	1	VIBRATION DAMPING ENGINE KIT	[7]
K3	33020419	1	VIBRATION DAMPING RADIATOR KIT	[8]
K4	33023433	1	HOSES PETROL KIT	[9]

Pos.	Artikel-Nr.	Menge	Variante	Notes
K5	33020349	1	HARDWARE ENGINE LPG KIT	[10]
108	33021335	1	THERMOSTAT TEMPERATURE WATER	
109	33023137	1	FLANGE BELLHOUSING KUBOTA ENG. DF972 PKD	
110	33023138	1	HUB BELL HOUSING ENGINE SIP	
113	33023359	1	GASKETS AND HW F MUFFLER P/LPG KIT	[11]

Part Notes:

- [1] - GUARANTEE DATE EXPIRED
- [2] - UNTIL S/N 3810113400055
- [3] - STARTING FROM S/N 3810113400056
- [4] - GUARANTEE DATE EXPIRED

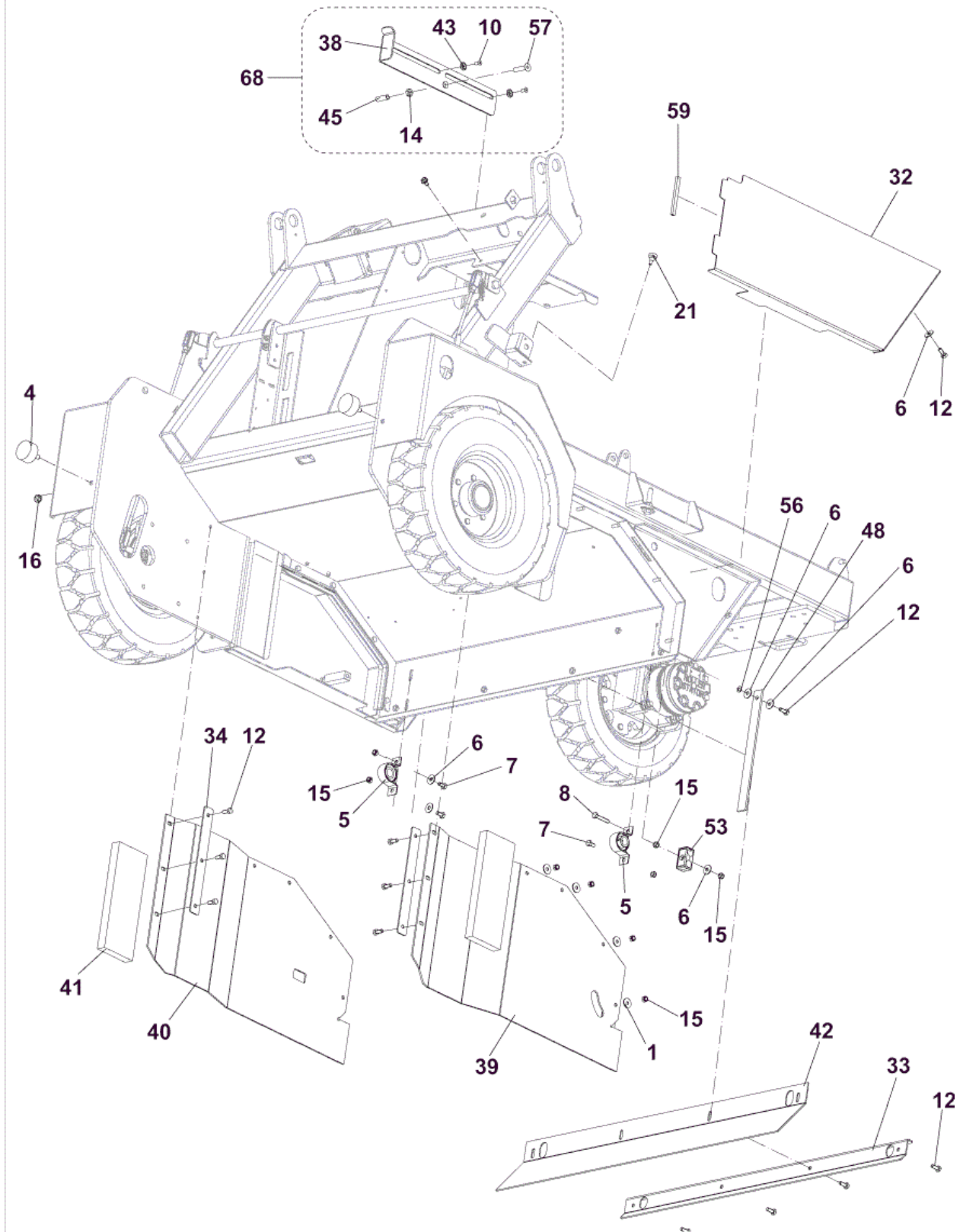
UNTIL S/N 3810113400055
- [5] - SEE PI 2017-002
- [6] - NOT SHOWN - POS. 2-44-49
- [7] - NOT SHOWN - POS. 18-27-30-37-40-75
- [8] - NOT SHOWN - POS. 6-8-14-34-35-77-78-91
- [9] - NOT SHOWN - POS. 3-67-82-83-84-85-90
- [10] - NOT SHOWN - POS. 6-7-8-9-10-11-12-13-14-15-16-17-18-19-20-21-22-23-24-25-26-27-28-29-30-31-32-33-34-35-36-37-38-39-40-43-44-45-46-74-89-91
- [11] - NOT SHOWN



Pos.	Artikel-Nr.	Menge	Variante	Notes
3	33003125	1	Radnabe	
5	33003201	4	Halter	
22	33018790	1	SUPPORT FRONT WHEEL KIT	
23	1467021000	1	CAP 2 PCS SET	
24	33016909	1	RING NILOS AV 32006X	
25	33016910	1	WASHER UPPER	
26	33016911	1	WASHER LOWER	
27	33016912	1	PIN DRIVE YOKE PIVOT	
35	33017113	1	BAR JOINT BRAKE	
36	33017114	1	PLATE F BAR JOINT BRAKE LOCKING	
37	33023477	1	RUBBER F MAIN BROOM HOSES KIT	
46	33017199	1	Federspanner Kit	
47	33017218	1	BAR F TRACTION PUMP CONTROL	
49	33017266	2	RUBBER LEVER BRAKE	
52	1467066000	2	SHOE BRAKE SIP	
54	33020205	1	DRUM BRAKE KIT	[1]
54	33020204	1	DRUM BRAKE	
59	1467244000	2	LEVER F DRUM BRAKE PKD	
K1	33020409	1	HARDWARE CENTRING KIT	[2]
K2	33020410	1	HARDWARE BRAKE BAR KIT	[3]
K3	33020411	1	HARDWARE FRONT WHEEL SUPPORT KIT	[4]
K4	33020412	1	Befestigungs-Kit	[5]
K5	33020332	1	HARDWARE CHASSIS KIT	[6]
K6	33018791	1	FIXING GASKETS KIT	[7]

Part Notes:

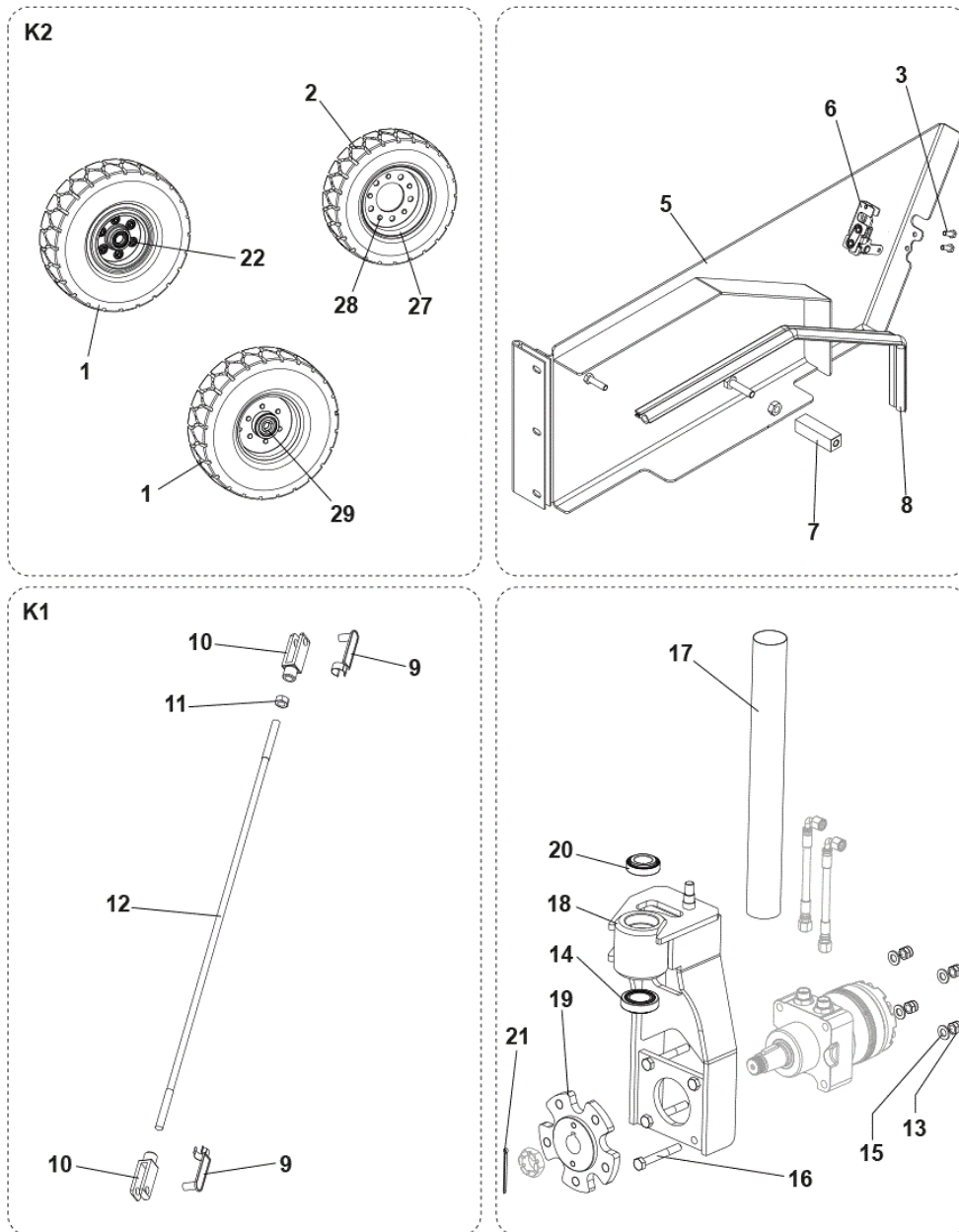
- [1] - UNTIL S/N 084734256
- [2] - NOT SHOWN - POS. 2-13-18-45-50
- [3] - NOT SHOWN - POS. 29-44
- [4] - NOT SHOWN - POS. 9-11-28-51
- [5] - NOT SHOWN - POS. 58-20-17
- [6] - NOT SHOWN - POS. 3-13-16 chassis components POS. 2-6-9-11-12-13-17-18-19-20-28-29-44-45-50-51-55-58
- [7] - NOT SHOWN - POS. 1-12-15-33-34



Pos.	Artikel-Nr.	Menge	Variante	Notes
4	33003129	2	Schwingungsdämpfer	
21	1467006000	1	PLUG ANTI VIBRATION D.8-D.20 10 PCS SET	
32	33017057	1	Seitenabdeckung, links	
39	33017171	1	Gummi links	
40	33017172	1	Gummi Rechts	
41	33017173	2	Abdichtung	
42	33017174	1	FLAP REAR BROOM	
48	33017262	1	Erdungsband	
53	33018539	1	CLAMP PIPE TWIN PLASTIC D.18MM	
59	33021180	1	GASKET U SHAPED PVC L.100MM SIP	
K5	33020332	1	HARDWARE CHASSIS KIT	[1]
K6	33018791	1	FIXING GASKETS KIT	[2]
K7	33020333	1	HARDWARE FLAP KIT	[3]
K8	33019212	1	Behälter-Stop-Kit	[4]
K9	33023472	1	SUPPORT BEARING KIT	[5]

Part Notes:

- [1] - NOT SHOWN - POS. 3-13-16 chassis components POS. 2-6-9-11-12-13-17-18-19-20-28-29-44-45-50-51-55-58
- [2] - NOT SHOWN - POS. 1-12-15-33-34
- [3] - NOT SHOWN - POS. 1-6-12-15-16
- [4] - POS. 10-14-38-43-45-57
- [5] - NOT SHOWN - POS. 5-6-7-8-15



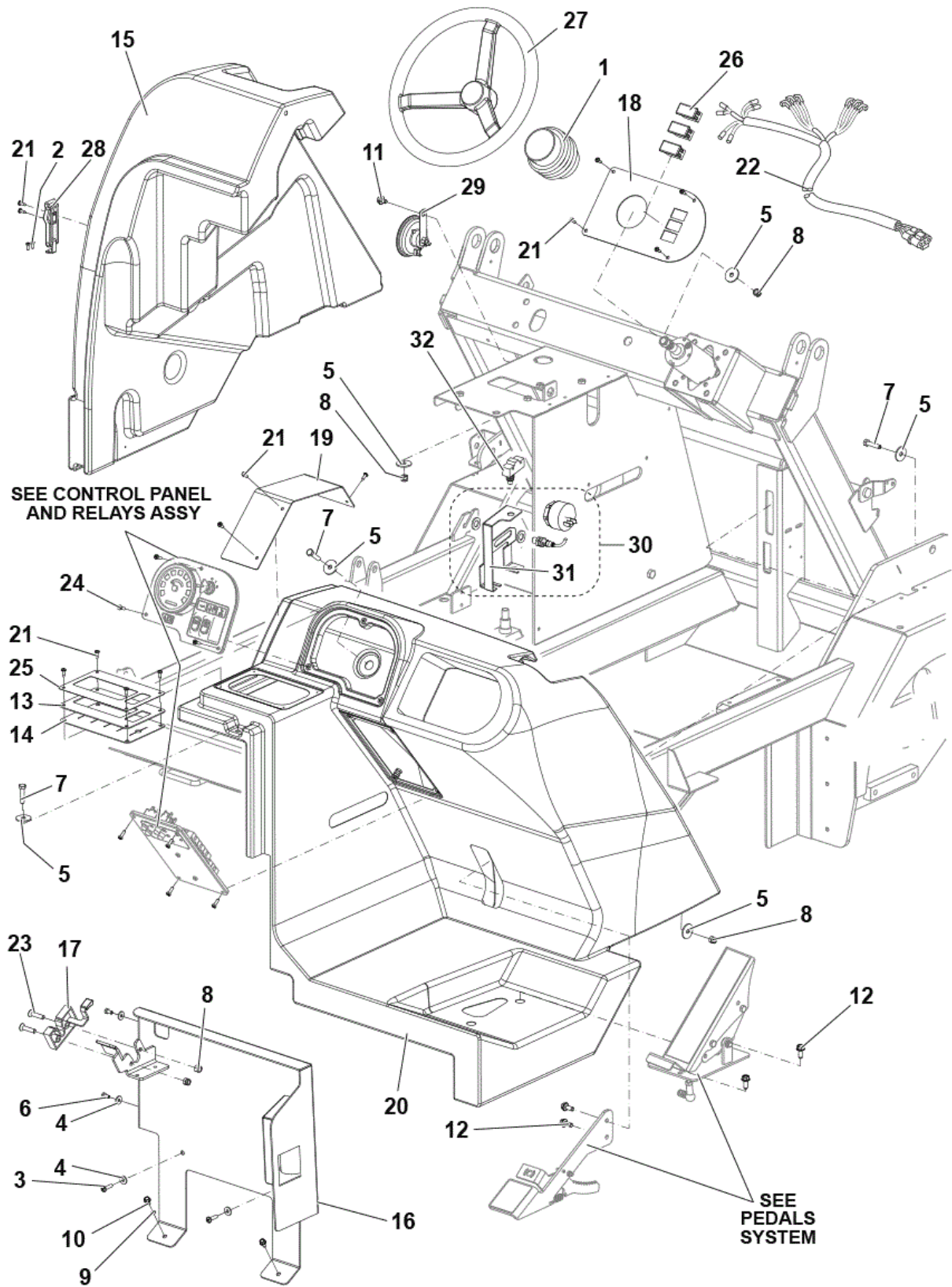
Resource notes:

POSITION 1: 33022518 - 33022519 - 33022520 INCLUDES 2 WHEELS SEE TSB IT 2012-098 TSB IT 2012-098.
Frontwheels VMO

Pos.	Artikel-Nr.	Menge	Variante	Notes
1	33022518	1	Räder Luftbefüllt	
1	33022519	1	Räder Superelastisch	
1	33022520	1	Räder Schaumgefüllt	
2	33022242	1	WHEEL REAR 4.00/8 FOAMED	
5	33019101	1	HATCH RIGHT KIT	[1]
7	33017128	1	STOP BROOM ARM	
8	33017129	1	Abdichtung	
14	33003175	1	Lager konisch	
17	33021132	1	SLEEVE HD L 300	
18	33018792	1	SUPPORT REAR WHEEL KIT	[2]
19	33017103	1	HUB REAR WHEEL	
20	1467636000	1	BEARING TAPER ROLLER 32006 SIP	
22	33023378	2	STUD BOLT F WHEELS KIT	
27	33023371	1	RIM F 4.00/8 WHEEL SIP	
28	33023369	1	STUD BOLT F WHEELS KIT	
29	33023318	2	BEARING AND SPACER F 5.00-8 WHEEL KIT	
K1	33018794	1	CONNECTION BRAKE KIT	[3]
K2	33022245	1	Rad-Set	
K3	33018796	1	Seitenabschluss, rechts	[4]
K4	33020413	1	Befestigungskit f.	[5]

Part Notes:

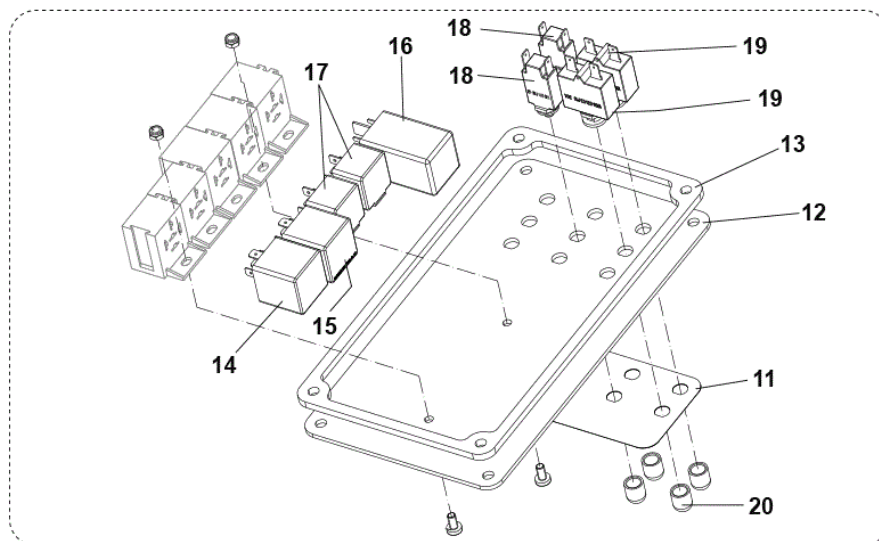
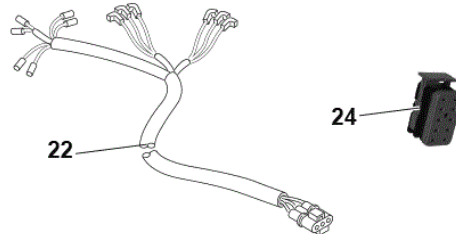
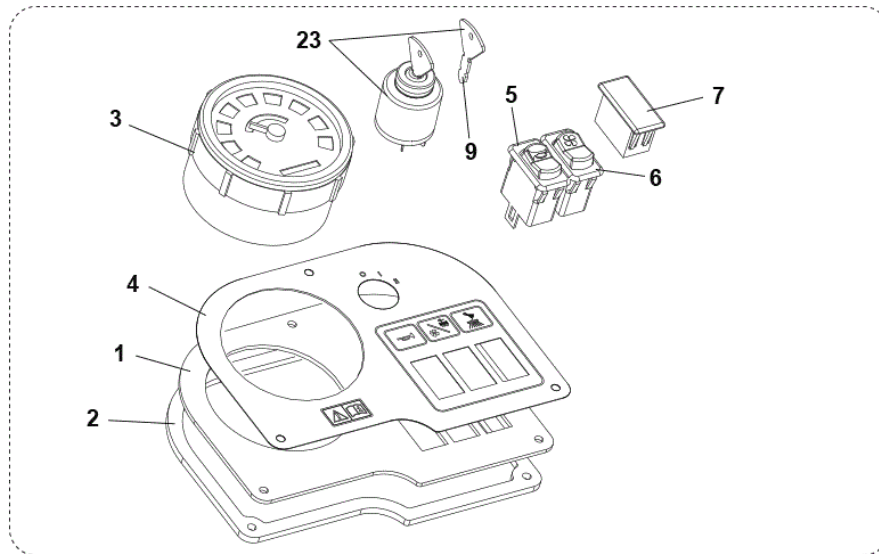
- [1] - INCLUDES POS. 12-6 Chassis assembly
- [2] - INCLUDED POS. 13-15-16-21
- [3] - POS. 9-10-11-12
- [4] - NOT SHOWN - POS. 3-6
- [5] - NOT SHOWN - POS. 19 Chassis assembly - POS. 13-15-16



Pos.	Artikel-Nr.	Menge	Variante	Notes
1	8-33-02360	1	HOSE- HEAT SHIELD	
13	33017163	1	PLATE	
14	33017164	1	FLAP LEVER COVER	
15	33021154	1	WASSERTANK KIT	[1]
15	33017169	1	COVER SIDE PLASTIC GREY	
16	33017175	1	PLATE REAR COVER LATCH MET.	
17	33017176	1	LATCH SLAM	
18	33017224	1	COVER PLATE NON TILT STEERING WHEEL	
19	33017246	1	PLATE F HOOD MET.	
20	33017256	1	CONSOLE PLASTIC GREY	
22	33017355	1	HARNESS MAIN ENGINE VERSION	
25	33017379	1	DECAL DISTRIBUTOR	
26	909 5836 000	3	Druckkappe	
27	33018170	1	STEERING WHEEL	
28	56507188	1	Riegel	
29	145 3801 000	1	Hupe 12 V	
30	33022642	1	Rückfahralarm	[2]
31	33022403	1	BRACKET FOR SENSOR ENGINE VERSION	[3]
32	1466507000	1	MICROSWITCH 10A 250V PKD	
K1	33023646	1	LATCH SOFT DRAW RUBBER KIT	[4]
K2	33020341	1	HARDWARE CONTROL LEFT KIT	[5]
K3	33018861	1	BLOCK BONNET KIT	[6]
K4	33020342	1	HARDWARE CONTROL RIGHT KIT	[7]

Part Notes:

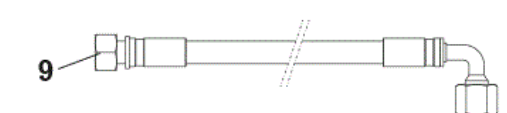
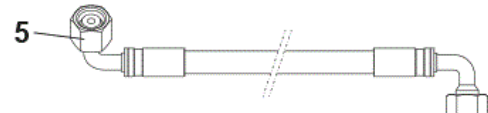
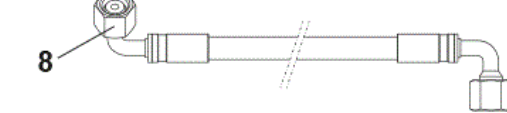
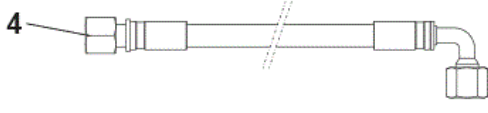
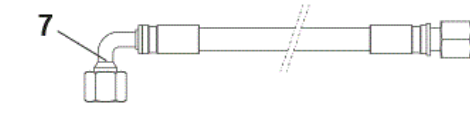
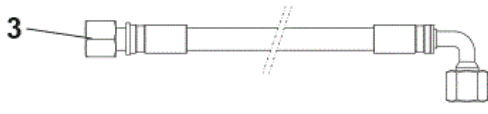
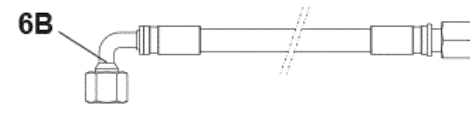
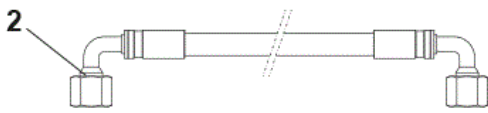
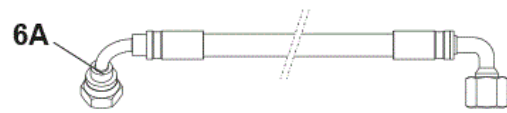
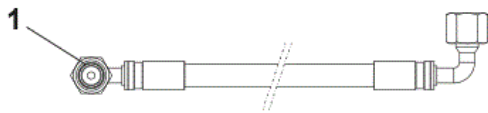
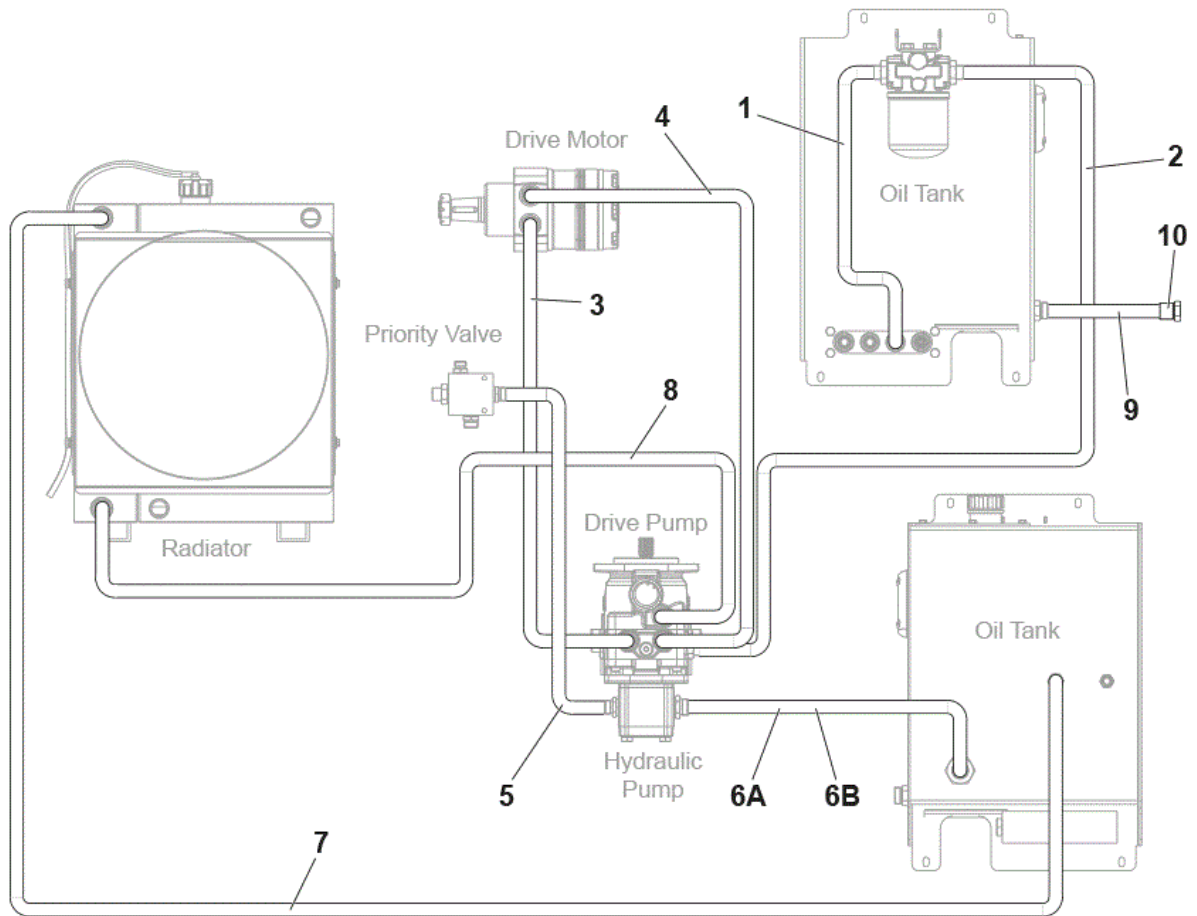
- [1] - FOR MAXI VERSION ONLY
- [2] - SEE INST. INSTR. 33019168
UNTIL S/N 38100134500024 - SEE TSB-FC-2013-148
- [3] - UNTIL S/N 38100134500024 - CODE 33022405 NO MORE AVAILABLE- SEE TSB-FC-2013-148
- [4] - NOT SHOWN - POS. 2-21-28 - Q.ty 2 pcs
- [5] - NOT SHOWN - POS. 2-5-7-8-11-12-21
- [6] - NOT SHOWN - POS. 3-9-12-16-24 REAR COVER ASSY - POS. 17-23
- [7] - NOT SHOWN - POS. 3-4-5-6-7-8-9-10-11-12-21-23-24



Pos.	Artikel-Nr.	Menge	Variante	Notes
1	33017222	1	PLATE SWITCH PANEL	
2	33017223	1	GASKET PLATE	
3	1466192000	1	GAUGE 12V PKD	
4	33021047	1	DECAL CONTROL PANEL	
5	33018844	1	SWITCH HORN KIT	
6	33018843	1	Schalterkit	
7	909 5836 000	1	Druckkappe	
9	1467014000	1	KEY F STARTER SWITCH 2 PCS SET	
11	33017249	1	DECAL FUSES	
12	33023368	1	PLATE RELAYS SUPPORT KIT	
13	33017381	1	GASKET F PLATE RELAYS SUPPORT	
14	1466194000	1	RELAY TIMER 0.5 SEC. PKD	
15	1466193000	1	RELAY TIMER 20 SECONDS PKD	
16	33019990	1	RELAY HEATING PLUGS	[1]
17	146 3113 000	2	Relais 12V/70Ah	
18	33017360	2	Sicherung 16A	
19	909 5706 000	2	Hauptschalter 30 A	
20	33017386	4	BOOT CIRCUIT BREAKER	
22	33017358	1	Kabelbaum	
23	33020442	1	Schlüsselschalter	
24	33017330	1	CONNECTOR CPL F SWITCH	

Part Notes:

[1] - ONLY DIESEL VERSION



Pos.	Artikel-Nr.	Menge	Variante	Notes
1	33017649	1	HOSE HYDRAULIC 1/2 L 450	
2	33017636	1	HOSE HYDRAULIC 1/2 L 1040	
3	33023254	1	HOSE HYDR. 1/2 R16 L.1430 W/SHEATH PKD	
4	33023253	1	HOSE HYDR. 1/2 R16 L.1470 W/SHEATH PKD	[1]
5	33020134	1	HOSE HYDRAULIC 1/2 L 500	
6A	33017651	1	HOSE HYDRAULIC 3/4 L 900	[2]
6B	33022399	1	HOSE HYDRAULIC R1AT 3/4 L 840	[3]
7	33023251	1	HOSE HYDR. 1/2 R16 L.1500MM W/SHEATH SIP	[1]
8	33023252	1	HOSE HYDR. 1/2 R16 L.1100MM W/SHEATH SIP	[1]
9	33017620	1	HOSE HYDRAULIC 1/2 L. 660	
10	33011456	1	PLUG 1/2	

Part Notes:

- [1] - SEE TSB-FC-2015-021
 [2] - GUARANTEE DATE EXPIRED

Valid for Model no. 13300101 UNTIL S.N. 3810123600007

Valid for Model no. 13300148 UNTIL S.N. 3810124500030

Valid for Model no. 13300105 UNTIL S.N. 3810123500024

Valid for Model no. 13300161 UNTIL S.N. 3810123600006

- [3] - Valid for Model no. 13300101 STARTING FROM S/N 3810123600008

Valid for Model no. 13300148 STARTING FROM S/N 3810124500031

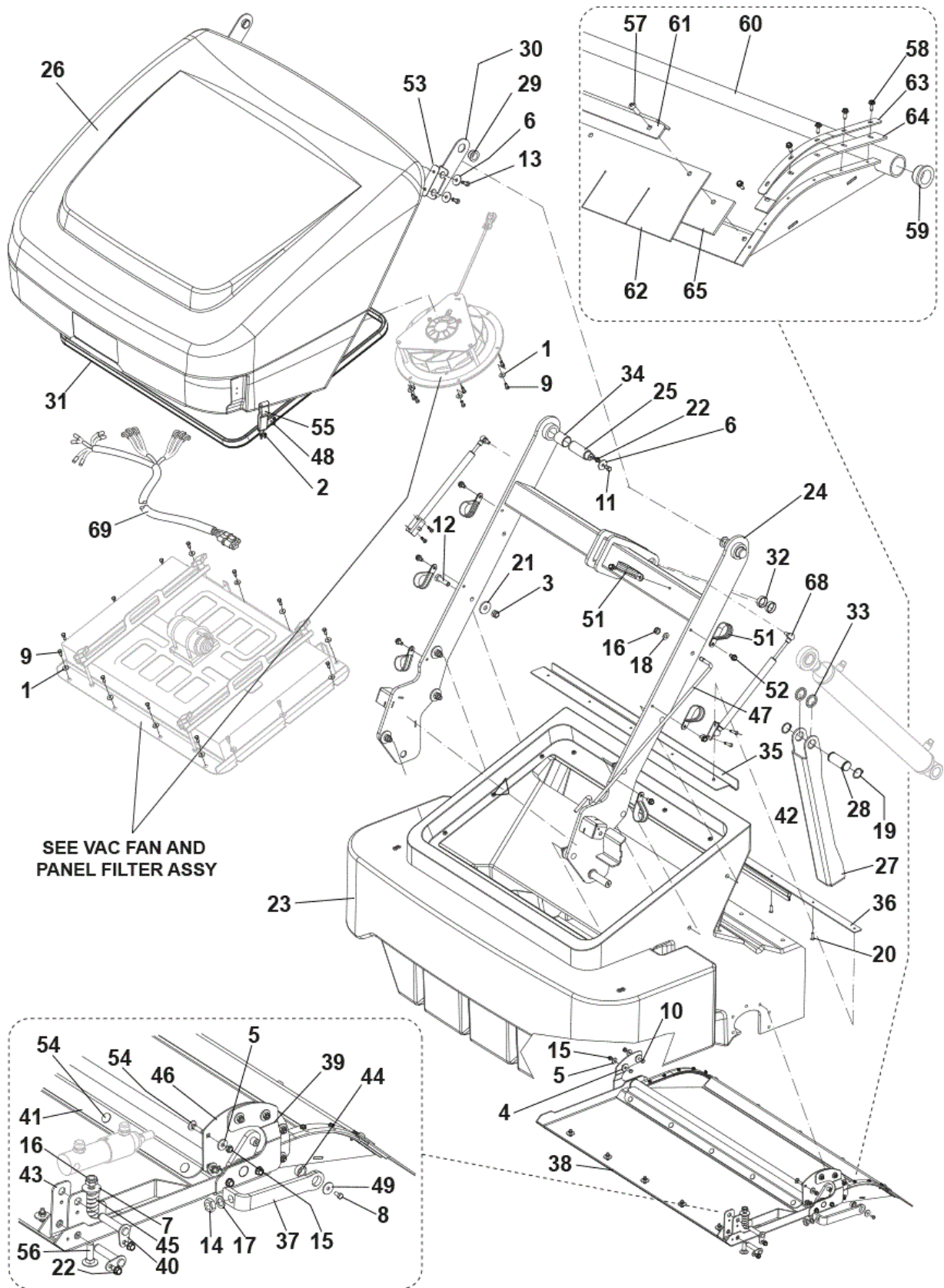
Valid for Model no. 13300105 STARTING FROM S/N 3810123500025

Valid for Model no. 13300161 STARTING FROM S/N 3810123600007

Pos.	Artikel-Nr.	Menge	Variante	Notes
1	33017650	1	HOSE HYDRAULIC 1/2 L 1050	
2	33017635	1	HOSE HYDRAULIC 1/4 L 1580	
3	33017634	1	HOSE HYDRAULIC 1/4 L 500	
4	33017628	1	HOSE HYDRAULIC 1/4 L 1100	
5	33017652	1	HOSE HYDRAULIC 1/4 L 650	
6	33017627	1	Hydraulikschlauch	
7	33017632	1	HOSE HYDRAULIC 1/4 L 1650	
8	33020135	1	HOSE HYDRAULIC 1/2 L 950	
9	33017653	1	HOSE HYDRAULIC 1/4 L 1500	
10	33017633	1	HOSE HYDRAULIC 1/4 L 1390	
11	33017655	1	HOSE HYDRAULIC 3/8 L.1400	
12	33019714	1	HOSE HYDRAULIC 1/4 L 450	
13	33017638	1	HOSE HYDRAULIC 1/4 L 2790	
14	33017647	1	HOSE HYDRAULIC 1/4 L 2320	
15	33019713	1	HOSE HYDRAULIC 1/4 L 450	
16	33023475	1	DRAIN HOSE KIT	
17	33023476	1	PLATE F HOSES KIT	
18	33023474	1	DRAIN HOSE 1/4 F MAIN BROOM CPL KIT	[1]

Part Notes:

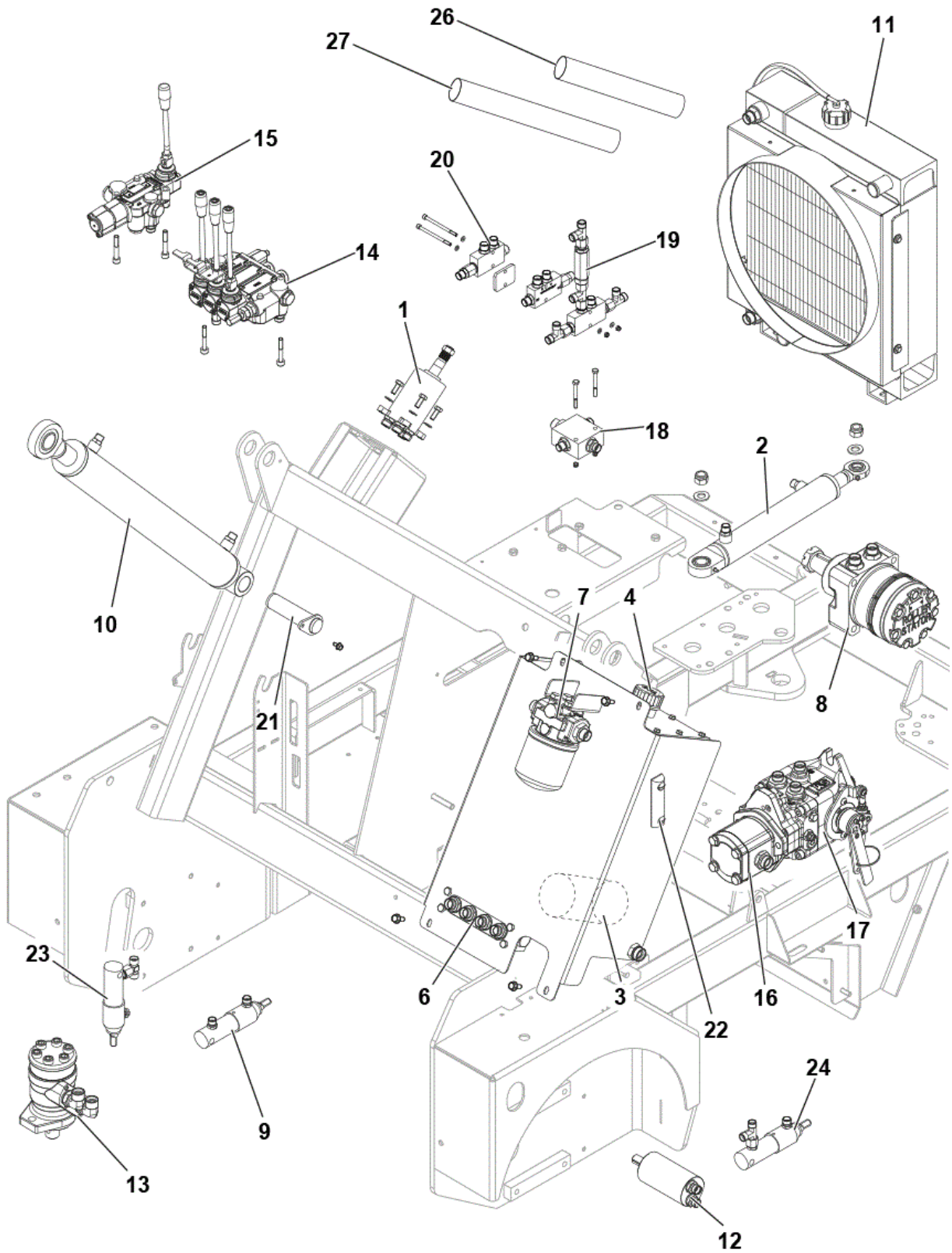
[1] - SEE INST. INSTR. 33023478



Pos.	Artikel-Nr.	Menge	Variante	Notes
23	33017058	1	HOPPER WASTE PLAST. GREY	
24	33017059	1	ARM LIFTING HOPPER MET.GREY	
25	33017060	2	PIN HOPPER PIVOT	
26	33017061	1	COVER HOPPER MOLDED	
27	33017108	1	BAR SAFETY GALV.	
31	33023365	1	GASKET BULB RUBBER L.2930MM SIP	
37	33017137	1	ARM HOPPER DOOR	
38	33017138	1	PLATE HOPPER BUTTOM	
39	33017139	2	PIN HOPPER DOOR	
40	33017146	2	PIN	
41	33017229	1	PLATE HOPPER FLAP	
42	33017257	1	Kantenschutz	
45	33023577	1	SPRING COMPRESS. D.E.24.5 WIRE D.5.5 SIP	
46	33023734	1	BRACKET SUPPORT PIN HOPPER DOOR KIT	
53	33020011	2	PLATE OF CONTRAST	
55	56507188	2	Riegel	
59	33017116	2	BUSHING MFM 22X28X15	
60	33023168	1	HATCH WASTE CONTAINER PKD	
61	33017201	1	SKIRT STRAP DOOR	
62	33017202	1	SKIRT HOPPER DOOR	
63	33017240	2	STRAP DOOR SIDE SKIRT	
64	33017241	1	SKIRT DOOR SIDE	
68	33021975	1	GAS SPRING KIT	[1]
69	33017366	1	HARNESS HOPPER	
K1	33023646	2	LATCH SOFT DRAW RUBBER KIT	[2]
K2	33019115	2	HINGES BONNET KIT	[3]
K3	33021589	1	HOSES FIXING KIT	[4]
K4	33021590	1	PLATE CONTAINER KIT	[5]
K5	33022073	1	Befestigungssatz Abdeckung	[6]
K6	33023167	1	SKIRT HATCH CONTAINER KIT	[7]
K7	33019117	1	Klappdeckeldichtungskit	[8]
K8	33020414	1	HARDWARE HOPPER BOTTOM KIT	[9]
K9	33020415	1	HARDWARE SUPPORT KIT	[10]
K10	33020334	1	Befestigungskit f.	[11]
K11	33018798	1	HARDWARE LIFTING CONTAINER KIT	[12]
K12	33018801	1	ROD F ARM HOPPER LIFTING KIT	[13]
K13	33019791	1	HYDRAULIC SYSTEM UPDATINGKIT	[14]
K14	33020210	1	HYDRAULIC HOSES KIT	[15]

Part Notes:

- [1] - NOT SHOWN - OPTIONAL - SEE INST.INSTR. 33021977
- [2] - NOT SHOWN - POS. 2-48-55
- [3] - NOT SHOWN - POS 6-13-29-30-53
- [4] - NOT SHOWN - POS. 51-52
- [5] - NOT SHOWN - POS. 20-35-36
- [6] - NOT SHOWN - POS. 7-8-14-16-17-22-37-40-43-44-45-49-56
- [7] - NOT SHOWN - POS. 57-58-59-61-62-63-64-65
- [8] - NOT SHOWN - POS. 62-64-65
- [9] - NOT SHOWN - POS. 4-5-10-12-15-21-54
- [10] - NOT SHOWN - POS. 1-3-9-13-19-20-29
- [11] - NOT SHOWN - POS. 1-3-4-5-9-10-12-13-15-17-19-20-29
- [12] - NOT SHOWN - POS. 6-11-19-22-25-28-32-33-34
- [13] - NOT SHOWN - POS. 16-18-47
- [14] - NOT SHOWN - SEE INST.INTR. 33019790 - SEE TSB IT 2009-035
- [15] - NOT SHOWN - SEE TSB IT 2009-035

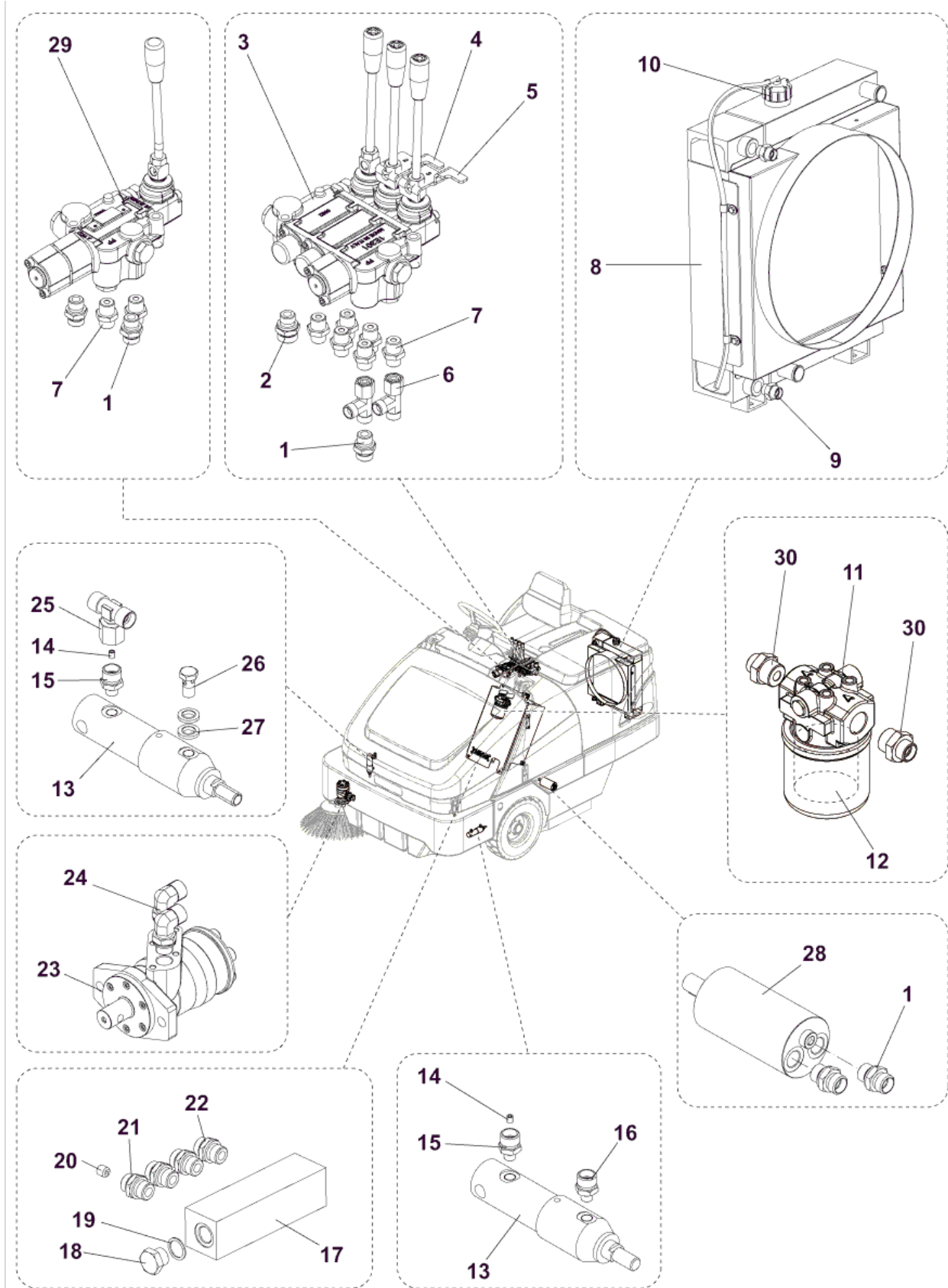


Pos.	Artikel-Nr.	Menge	Variante	Notes
1	33022286	1	STEERING UNIT HYDROST.POWER 50CC SIP	[1]
1	33022292	1	STEERING UNIT KIT	[2]
1	33022033	1	GASKET STEERING UNIT KIT	[3]
2	33018808	1	CYLINDER POWER STEERING KIT	[4]
3	33010199	1	Hydraulikölfilter SR 1800	
4	33011530	1	Deckel	
6	33018809	1	TANK OIL KIT	[5]
7	33018810	1	FILTER PRESSURE KIT	[6]
8	33018793	1	Fahrmotor Kit	[7]
9	33018802	1	Zylinder Kit	[8]
10	33018811	1	Hydraulik Zylinder	[9]
10	33021068	1	ADAPTER F CYLINDER W/JOINT KIT	[10]
11	33018873	1	Radiator Kit	[11]
12	33023380	1	MOTOR HYDRAULIC F MAIN BROOM KIT	[12]
13	33018807	1	Seitenbesenmotor	[13]
14	33018812	1	Verteiler 3 Elemente Kpl.	[14]
15	33018815	1	Verteiler 1 Element Kpl.	[15]
16	33018874	1	PUMP GEAR KIT	[16]
17	33023338	1	PUMP PISTON 19CC KIT	[17]
17	33023339	1	PUMP AND BELLHOUSING DIESEL KIT	[18]
17	33023340	1	PUMP AND BELLHOUSING PETROL-LPG KIT	[19]
17	33023034	1	PINION F PUMP TRACTION P01 SIP	
17	33022094	1	GASKET FOR HYDRAULIC PUMP KIT P01	
18	33018816	1	Kontrolle Ventil	[20]
18	33020858	1	VALVE PRIORITY KIT	[21]
19	33018817	1	Kontrolle Ventil Doppel	[22]
20	33018840	2	Kontrolle Ventil	[23]
21	33020853	1	PIN HYDRAULIC CYLINDER PHOS.	
22	33011529	1	Ölstandsanzeige	
23	33021767	1	SIDE BROOM RIGHT CYLINDER KIT	[24]
24	33021765	1	MAIN BROOM CYLINDER KIT	[25]
25	33020339	1	HARDWARE HYDRAULIC KIT	[26]
26	33015542	1	Mantel D60 x 500	
27	33015544	1	SHEATH 90 D56 BLACK L.700MM	

Part Notes:

- [1] - FOR MODEL NO. 13300148 - 13300161
- [2] - FOR MODEL NO. 13300101 - 13300105
- [3] - FOR ITEM 33022292 - 33022286
- [4] - POS. 2-23 - See Hydraulic plant assy 3
- [5] - POS. 17-18-19-20-21-22 - See Hydraulic plant assy 2
- [6] - POS. 11-30 - See Hydraulic plant assy 2
- [7] - POS. 21-22 - See Hydraulic plant assy 3
- [8] - POS. 13-14-15-16 - See Hydraulic plant assy 2
- [9] - POS. 1-2-3-4 - See Hydraulic plant assy 3
- [10] - FOR MODEL NO. 33018811 - STARTING FROM S/N 103206080
- [11] - POS. 8-9 - See Hydraulic plant assy 2
- [12] - POS. 1-28 - See Hydraulic plant assy 2
SEE INST. INSTR. 33023397
- [13] - POS. 23-24 - See Hydraulic plant assy 2
- [14] - POS. 2-3-4-5-6-7 - See Hydraulic plant assy 2
- [15] - POS. 1-7-29 - See Hydraulic plant assy 2
- [16] - POS. 25-26-27 - See Hydraulic plant assy 3
- [17] - POS. 24-28 - See Hydraulic plant assy 3
- [18] - SEE INST. INSTR. 33023027
- [19] - FOR MACHINE STARTING FROM S/N 3810113400056
SEE INST. INSTR. 33023027

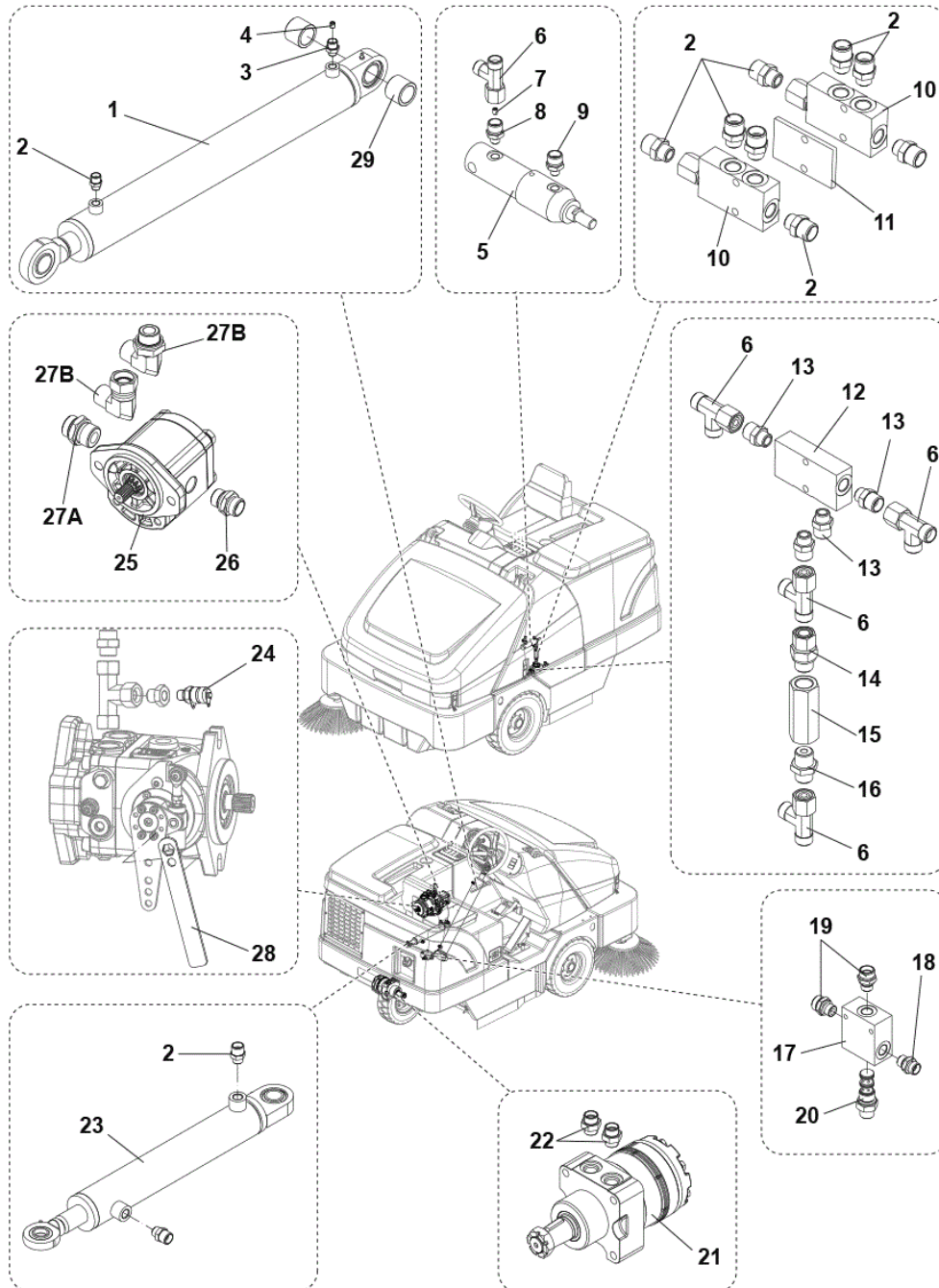
- [20] - STOCK COVERS GUARANTEE
POS. 17-18-19-20 - See Hydraulic plant assy 3
UNTIL S/N 091508808
- [21] - POS. 17-18-19-20 - See Hydraulic plant assy 3
STARTING FROM S/N 091508809
- [22] - POS. 6-12-13-14-15-16 - See Hydraulic plant assy 3
- [23] - POS. 2-10 - See Hydraulic plant assy 3
- [24] - POS. 13-14-15-25-26-27 - See Hydraulic plant assy 3
- [25] - POS. 5-6-7-8-9 - See Hydraulic plant assy 3
- [26] - NOT SHOWN



Pos.	Artikel-Nr.	Menge	Variante	Notes
1	33015917	5	FITTING MALE 3/8 BSP - M12L	
2	33016018	1	FITTING MALE 3/8 BSP - M15L	
3	33017052	1	DISTRIBUTOR	
4	33017752	1	BRACKET SECOND LEVER MANIFOLD	
5	33017753	1	BRACKET THIRD LEVER MANIFOLD	
6	145 5163 000	2	PIPE FITTING	
7	146 0505 000	8	PIPE FITTING 3/8 D.10	
8	33018873	1	Radiator Kit	
9	146 0079 00	2	Verschraubung	
10	33011539	1	Abdeckstopfen	[1]
10	33011541	1	Kühlerablassschraube	[2]
11	33017431	1	FILTER OIL CPL	
12	33017595	1	Oil Filter	
13	33021255	2	Zylinder	
13	33022009	1	GASKET MICRO CYLINDER 16/25/50 KIT	[3]
14	33018215	2	Stift M5x6 Diam. 0.5	
15	33018222	2	Anschluss 1/8	
16	33018375	1	Anschluss 1/8	
17	33017432	1	BLOCK HYD. HOSES	
18	33011456	1	PLUG 1/2	
19	1466786000	1	GASKET COPPER 1/2 10 PCS SET	
20	33018675	1	DOWEL M12 DIAM 4	
21	33018676	1	FITTING M/M 1/2-M22X1.5	
22	33015757	3	FITTING MALE 1/2 - M15L	
23	33017003	1	MOTOR SIDE BROOM	
23	33020754	1	GASKETS HYDRAULIC MOT.KIT	[4]
24	33015874	2	ELBOW 90 M1/2	
25	146 0507 000	1	FITTING T M16X1.5 SWIVEL NUT	
26	1467015000	1	BANJO BOLT 1/8 L.22 SPEC. 2 PCS SET	
27	1467004000	2	SEAL BONDED 1/8 10 PCS SET	
28	33023380	1	MOTOR HYDRAULIC F MAIN BROOM KIT	[5]
28	33020765	1	GASKET HYDRAULIC PUMP KIT	[6]
28	33023043	1	GASKET HYDRAULIC PUMP KIT	[7]
29	33017676	1	DISTRIBUTOR	
30	33023712	2	FITTING M/M 3/4-M22X1.5 SIP	

Part Notes:

- [1] - UNTIL S/N 3810130200084
- [2] - STARTING FROMS/N 3810130200085
- [3] - For Item 33021255
- [4] - For Item 33017003
- [5] - STARTING FROM S.N. 103206080
SEE INST. INSTR. 33023397
- [6] - For Item 33023380 - STARTING FROM S.N. 103206080
SEE INST. INSTR. 33023397
- [7] - For Item 33023044 (WHITE) - STARTING FROM S.N. 091508810



Pos.	Artikel-Nr.	Menge	Variante	Notes
1	33021257	1	CYLINDER HOPPER LIFT	[1]
1	33011777	1	GASKET KIT	[2]
2	33023175	11	PIPE FITTING 1/4 D.10 SIP	
3	33023872	1	FITTING MALE STUD OR M1/4 KIT	
4	33019272	1	DOWEL CALIBRATED M8X8 D.1	
5	33021255	1	Zylinder	
5	33022009	1	GASKET MICRO CYLINDER 16/25/50 KIT	[3]
6	145 5163 000	5	PIPE FITTING	
7	33018215	1	Stift M5x6 Diam. 0.5	
8	33018222	1	Anschluss 1/8	
9	33018375	1	Anschluss 1/8	
10	33023300	2	CHECK VALVE 1/4 SINGLE PILOT OPERAT. SIP	
11	33019712	1	PLATE VALVES GALV.	
12	33010486	1	CHECK VALVE 1/4 DUAL PILOT OPERATED	
13	33023175	4	PIPE FITTING 1/4 D.10 SIP	
14	33018220	1	FITTING M/F.GIR 3/8 - 10L	
15	33010481	1	Rückschlagventil 3/8	
16	146 0505 000	1	PIPE FITTING 3/8 D.10	
17	33017165	1	BODY PRIORITY VALVE	
18	33015917	1	FITTING MALE 3/8 BSP - M12L	
19	33016018	2	FITTING MALE 3/8 BSP - M15L	
20	33017690	1	CARTRIDGE PRIORITY VALVE	
21	33017002	1	MOTOR DRIVE ENGINE MACHINE	
21	33020753	1	GASKETS HYDRAULIC MOT.KIT	[4]
22	146 0079 00	5	Verschraubung	
23	33021256	1	CYLINDER 40/25 205	
23	33011774	1	Dichtungs-Kit	[5]
24	33010508	1	FITTING QUICK 1/4	
25	33017001	1	PUMP DRIVE	
25	33020761	1	GASKET HYDRAULIC PUMP KIT	[6]
25	33020762	1	GASKET HYDRAULIC PUMP KIT	[6]
26	33015757	1	FITTING MALE 1/2 - M15L	
27A	33018323	1	FITTING M/M 3/4-18L	[7]
27B	33022395	1	FITTING 90 M3/4-M3/4 BSP ADJ.	[8]
27B	33022396	1	FITTING 90 M3/4-F3/4 BSP ADJ.	[8]
28	33022090	1	WRENCH 14	
29	33020812	2	SPACER D.30X40 H.30.5 PLAST.	

Part Notes:

- [1] - See Hydraulic plan assy 1 - Item 33021068 and spec.
 [2] - for Item 33021257
 [3] - for Item 33021255
 [4] - for Item 33017002
 [5] - for Item 33021256
 [6] - for Item 33017001
 [7] - NO LONGER AVAILABLE

Valid for Model no. 13300101 UNTIL S.N. 3810123600007

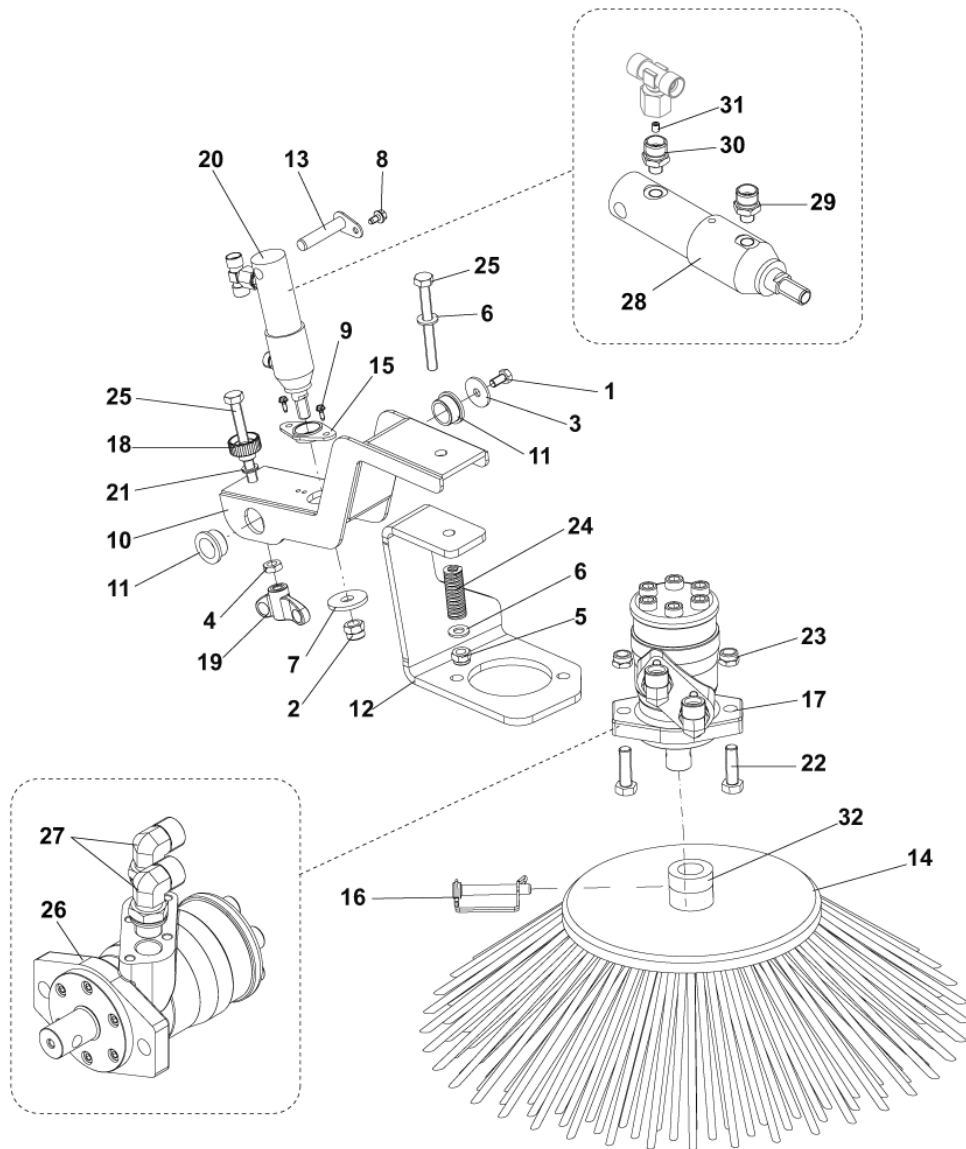
Valid for Model no. 13300148 UNTIL S.N. 3810124500030

Valid for Model no. 13300105 UNTIL S.N. 3810123500024

Valid for Model no. 13300161 UNTIL S.N. 3810123600006

- [8] - Valid for Model no. 13300101 STARTING FROM S/N 3810123600008
 Valid for Model no. 13300148 STARTING FROM S/N 3810124500031
 Valid for Model no. 13300105 STARTING FROM S/N 3810123500025
 Valid for Model no. 13300161 STARTING FROM S/N 3810123600007

equipped on SR 1601 MAXI



000000000000000000

LEFT SIDE BROOM ASSY

SR 1601 LPG3

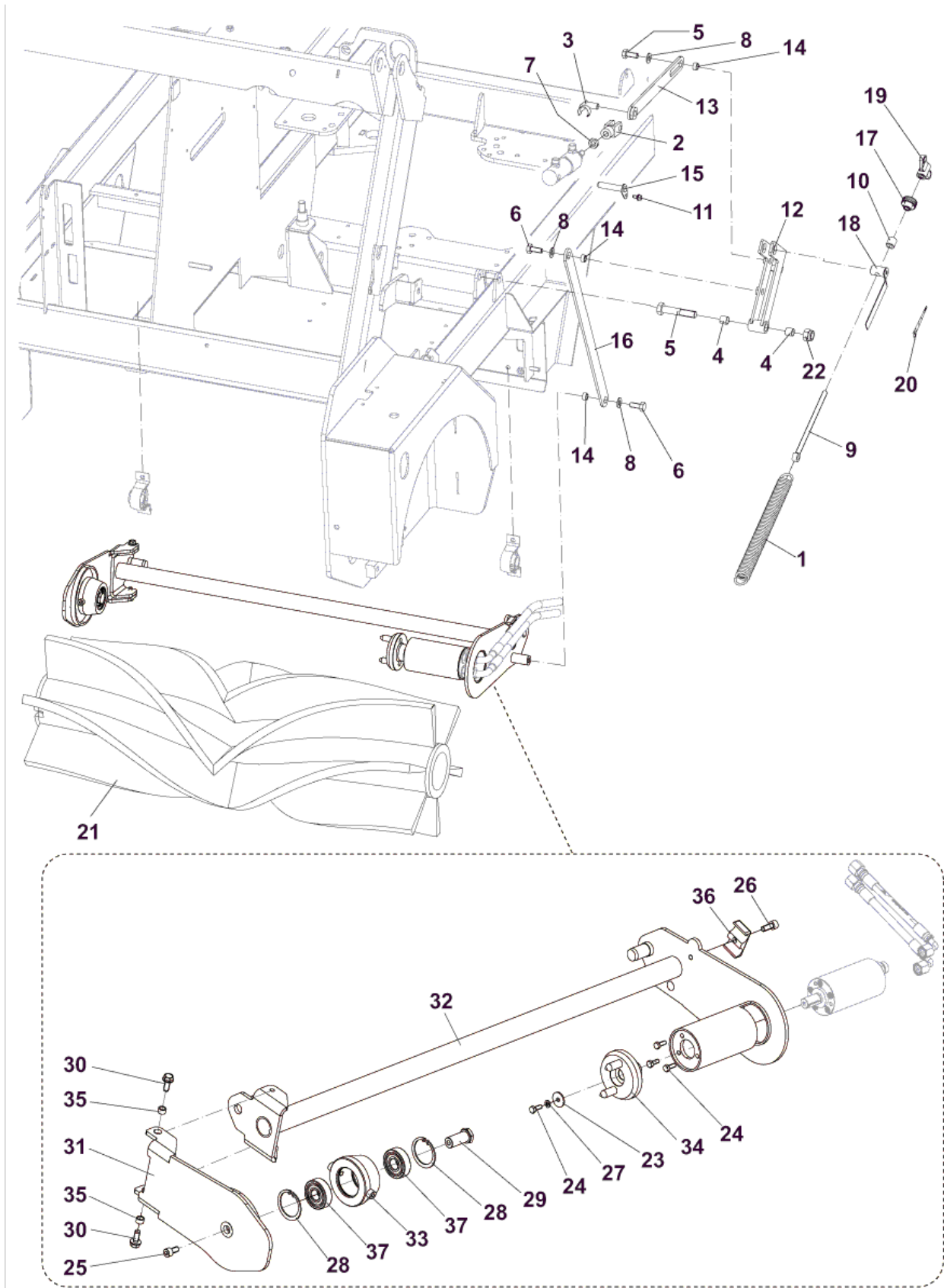
2017.11.02

2018.05.08

Pos.	Artikel-Nr.	Menge	Variante	Notes
10	33017115	1	Arm f. Seitenbesen	
12	33017117	1	Halterung f. Seitenbesen	
14	33021313	1	Seitenbesen PPL	
14	33017255	1	Seitenbesen PP 1,5/ 260x550 mm	
14	33018889	1	Seitenbesen Stahlmix/PP, 260x550 mm	[1]
14	33023366	1	BROOM SIDE 260X550 NYLON	[1]
16	1467070000	1	PIN D.10 BROOM LOCKING PKD	
17	33018807	1	Seitenbesenmotor	
18	33017889	1	KNOB M10	
19	33018333	1	Flügelmutter M10	
20	33021766	1	SIDE BROOM LEFT CYLINDER KIT	
24	146 1317 000	1	Feder SR 1500 HD	
26	33017003	1	MOTOR SIDE BROOM	
26	33020754	1	GASKETS HYDRAULIC MOT.KIT	[2]
27	33015874	2	ELBOW 90 M1/2	
28	33021255	1	Zylinder	
28	33022009	1	GASKET MICRO CYLINDER 16/25/50 KIT	[3]
29	33018375	1	Anschluss 1/8	
30	33018222	1	Anschluss 1/8	
31	33018215	1	Stift M5x6 Diam. 0.5	
32	33020628	1	Buchse für Seitenbesen	
K1	33019173	1	Seitenbesen-Set, PP, links	[4]
K2	33020336	1	HARDWARE SUPPORT KIT	[5]
K3	33020337	1	HARDWARE CYLINDER SIDE BROOM KIT	[6]
K4	33020338	1	HARDWARE SETTING SIDE BROOM KIT	[7]

Part Notes:

- [1] - OPTIONAL
- [2] - For Item 33017003
- [3] - For Item 33021255
- [4] - NOT SHOWN - OPTIONAL - SEE INST. INSTR. 33018767
- [5] - NOT SHOWN - POS. 4-5-6-21-22-23-25
- [6] - NOT SHOWN - POS. 2-7-8-9-13-15
- [7] - NOT SHOWN - POS. 1-3-7-11-18-19-23

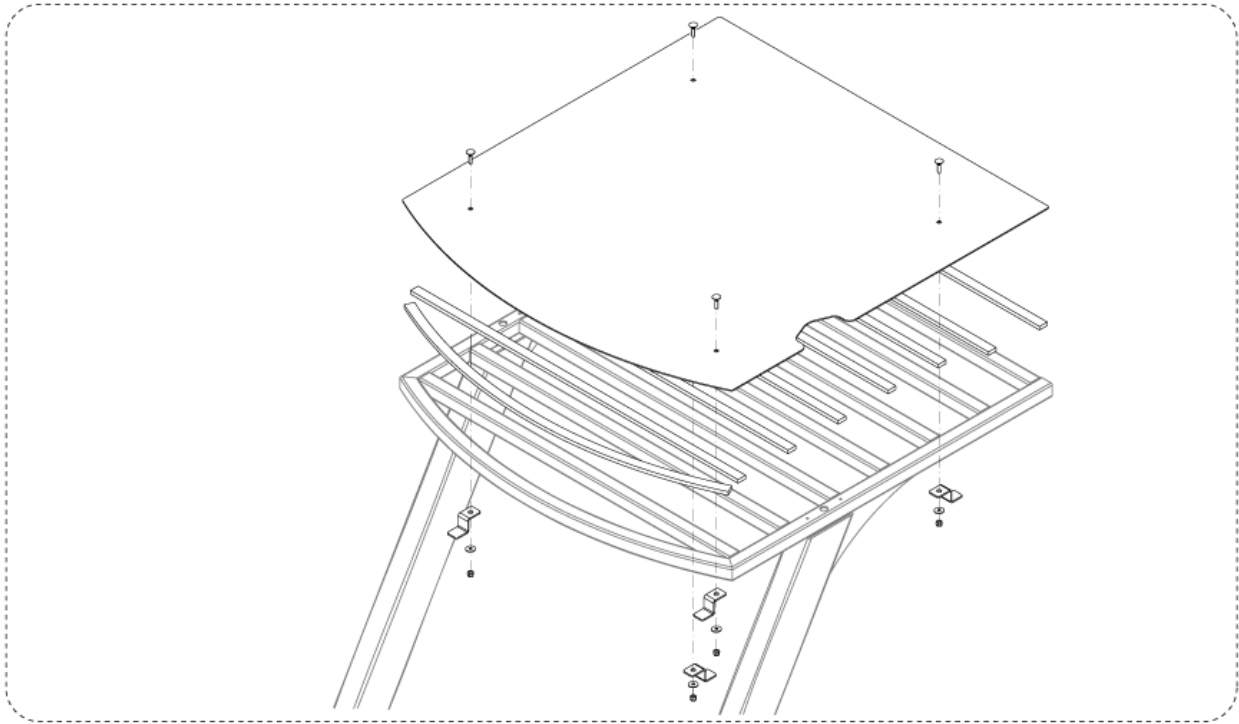


Pos.	Artikel-Nr.	Menge	Variante	Notes
1	33002106	1	Federspanner Kit	
21	33018853	1	Kehrwalze V-Form PP 0,7/ 310x900 mm	
21	33018855	1	Kehrwalze V-Vorm	[1]
21	33018854	1	Kehrwalze Stahlmix/PP 0,7/ 310x900 mm	[2]
21	33018852	1	Kehrwalze V-Form Nylon/ 310x900 mm	[2]
31	33017007	1	Besenarm	
32	33023483	1	Halter Hauptbesen	
33	33017140	1	Nabe	
34	33017141	1	Nabe	
37	33023722	2	BEARING BALL 6303 2RS DOUBLE LIP SIP	
K1	33023484	1	SUPPORT MOTOR KIT	[3]
K2	33023721	1	HUB AND BEARING BALL KIT	[4]
K3	33018865	1	PLATE MAIN BROOM KIT	[5]
K4	33018868	1	Hauptkehrwalzantrieb Kit	[6]
K5	33018867	1	Federspanner Kit	[7]
K6	33018869	1	LEVER F MAIN BROOM LIFTING KIT	[8]

Part Notes:

- [1] - see PI 2014-003 TTY
- OPTIONAL
- [2] - OPTIONAL
- [3] - NOT SHOWN - POS. 26-30-31-32-35-36
- [4] - NOT SHOWN - POS. 23-24-25-27-28-29-33-34-37
- [5] - NOT SHOWN - POS. 2-3-6-7-8-11-13-14-15
- [6] - NOT SHOWN - POS. 4-5-12-22
- [7] - NOT SHOWN - POS. 9-10-17-18-19-20
- [8] - NOT SHOWN - POS. 6-8-14-16

1



ACCESSORIES - 6

SR 1601 LPG3

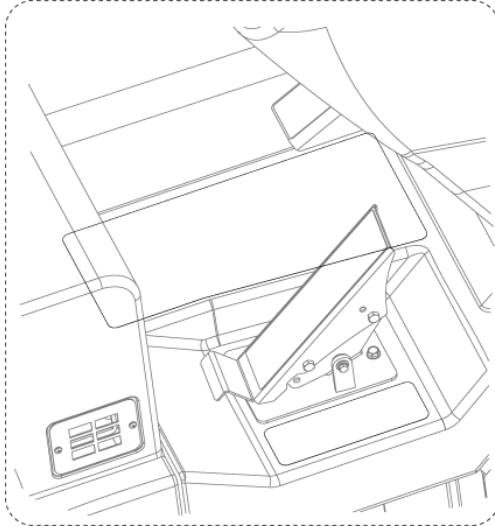
2017.11.02

2018.06.21

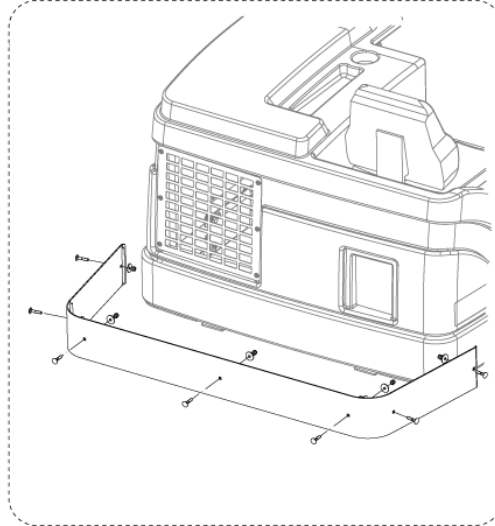
Pos.	Artikel-Nr.	Menge	Variante	Notes
1	33020052	1	Verdeck-Set	[1]

Part Notes:

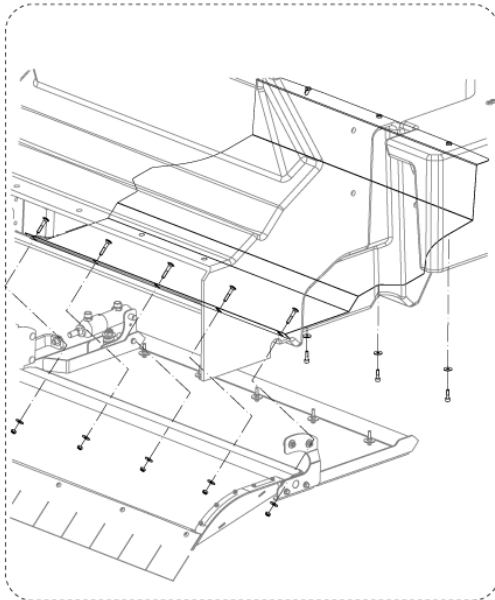
[1] - OPTIONAL - SEE INST. INSTR. 33020051



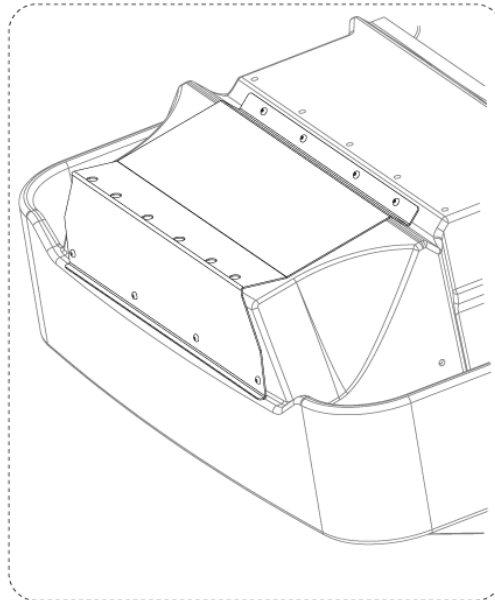
1



3



5

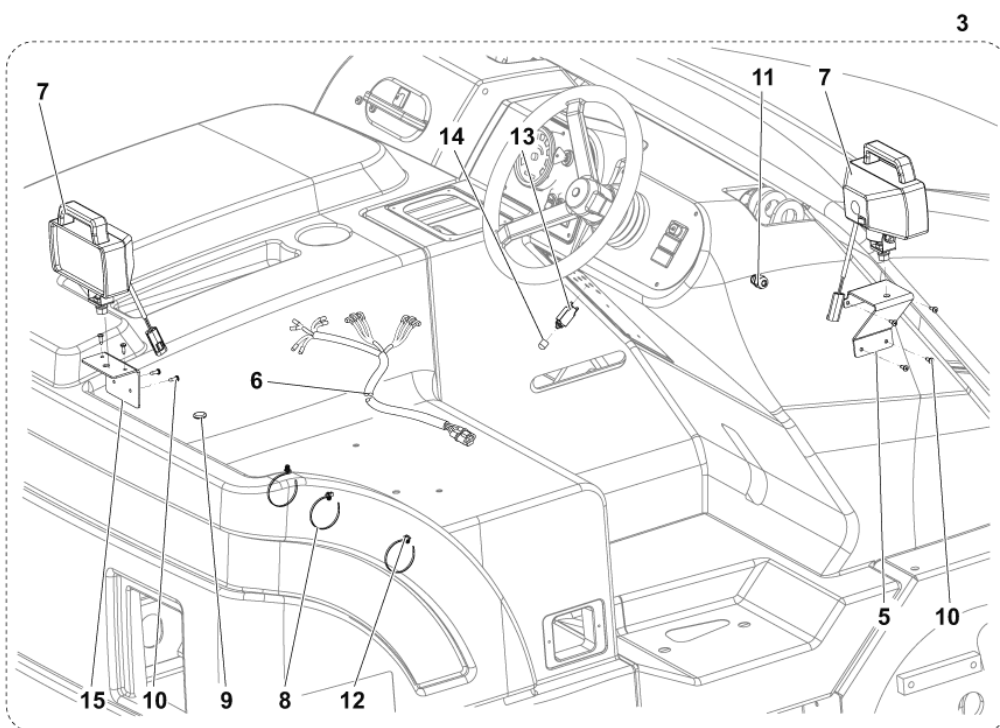
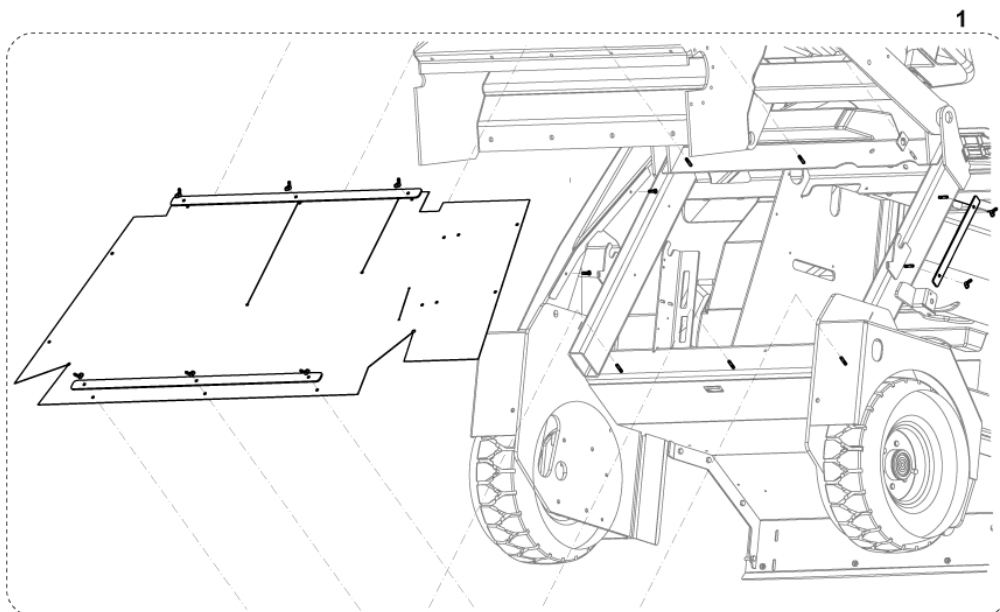


7

Pos.	Artikel-Nr.	Menge	Variante	Notes
1	33019570	1	Fußboden Matte	[1]
3	33019572	1	Stoßfängerschutz-Set	[2]
5	33019573	1	Schmutzbehälterschutz	[3]
7	33021392	1	HOPPER PROTECTION KIT	[4]

Part Notes:

- [1] - OPTIONAL - SEE INST.INSTR. 33019195
- [2] - OPTIONAL - SEE INST.INSTR. 33019205
- [3] - OPTIONAL - SEE INST.INSTR. 33019207
- [4] - OPTIONAL - SEE INST.INSTR. 33021393



Pos.	Artikel-Nr.	Menge	Variante	Notes
1	33020372	1	HOPPER DUST FLAP KIT	[1]
3	33020298	1	Arbeitslicht-Set	[2]
6	33020313	1	CABLE WORKING LIGHT	
7	33020351	2	LIGHT WORKING 12V	
13	33017360	1	Sicherung 16A	

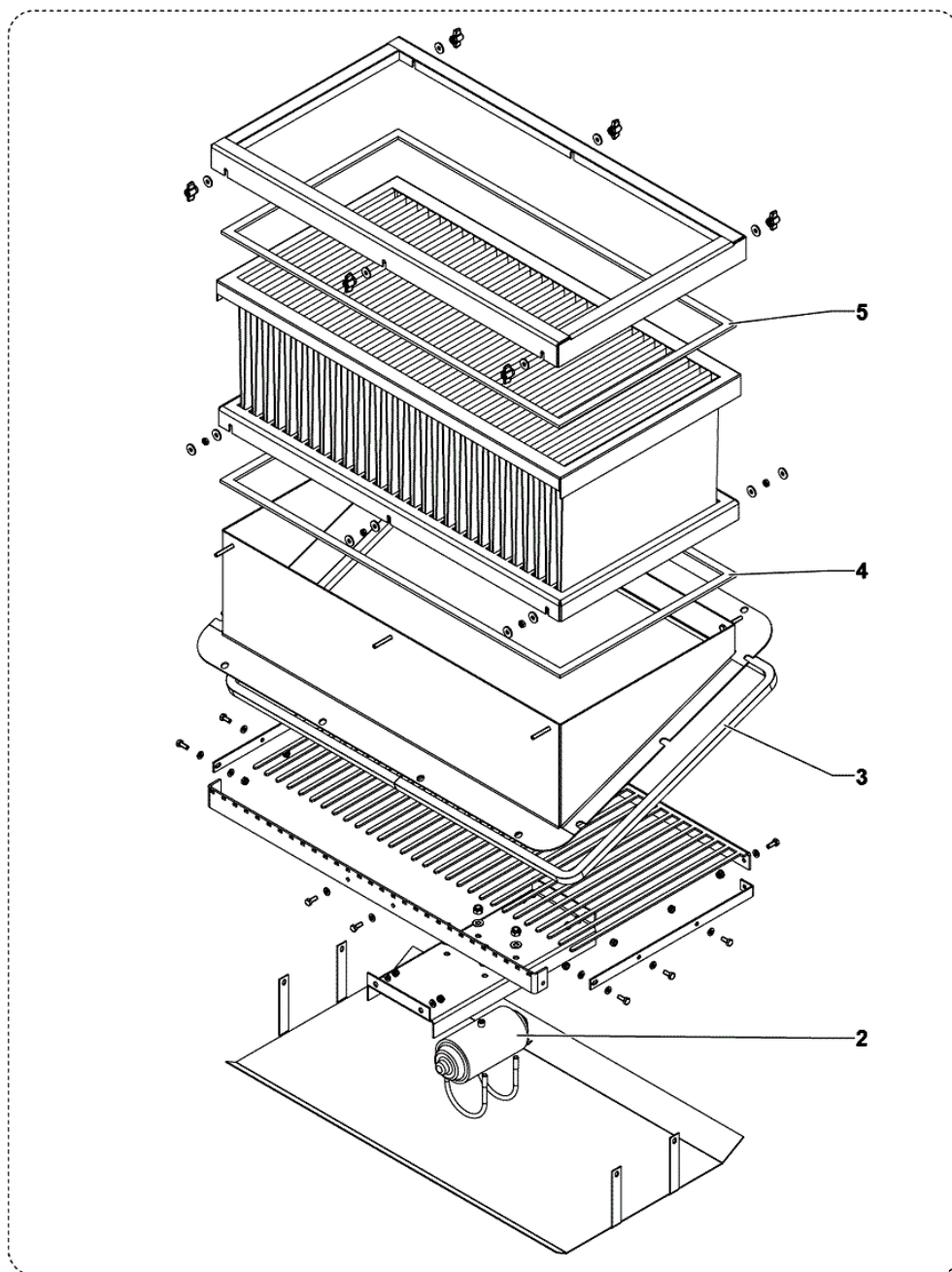
Part Notes:

- [1] - OPTIONAL - SEE INST. INSTR. 33020373
- [2] - OPTIONAL - SEE INST. INSTR. 33020293

Pos.	Artikel-Nr.	Menge	Variante	Notes
	33018855	1	Kehrwalze V-Vorm	[1]
	33019175	1	Staubbindesystem 12V	
	33019176	1	Taschenfilter-Set 12V	
	33019572	1	Stoßfängerschutz-Set	
	33018889	1	Seitenbesen Stahlmix/PP, 260x550 mm	
	56507740	1	Taschenfilter, wasserfest	[2]
	56507029	1	Schmutzbehälter	
	33019556	1	Armlehne-Set rechts	
	56507033	1	Motorluftvorfilter	
	33020002	1	Soft Kabine-Set	
	33019573	1	Schmutzbehälterschutz	
	33018852	1	Kehrwalze V-Form Nylon/ 310x900 mm	
	33023366	1	BROOM SIDE 260X550 NYLON	
	56510893	1	BEACON-WARNING LED	
	33020056	1	Filtersensor-Set	
	33019171	1	Fahrerschutzdach-Set	
	56507830	1	LAMP 12V	
	56508709	1	NOZZLE SPRAY .10	
	33019172	1	Rad Voll-Gummi Set, n. mark.	
	56507908	1	Kappe für Düse	
	33019554	1	Sicherheitsgurt-Set	
	33023296	1	SEAT SUSPENSION SIP	
	33019174	1	Lenkrad-Set, einstellbar	
	33019571	1	Anfahrerschutz-Set	[3]
	56305518	1	SWITCH VACUUM	
	33019570	1	Fußboden Matte	
	33019173	1	Seitenbesen-Set, PP, links	
	33018854	1	Kehrwalze Stahlmix/PP 0,7/ 310x900 mm	
	33019574	1	BACKUP ALARM KIT	[4]
	33023232	1	LIGHT FRONT 12V KIT	
00	56507038	1	Rundumlicht	[5]
00	56507039	1	Rundumlicht	[6]
00	56382789	1	Kassettenfilter Polyester	
00	33020814	1	Sprühdüse	
00	33020361	1	LIMITING SPEED KIT RETROFIT	
00	33021392	1	HOPPER PROTECTION KIT	

Part Notes:

- [1] - see PI 2014-003 TTY
- [2] - EXPIRED ON 10/5/2018
- [3] - 33019571_SIDE BROOM PROTECTION KIT
- [4] - SEE TSB-FC-2013-148
- [5] - 56040898 - INSTRUCTION SHEET
- [6] - 56040899 - INSTRUCTION SHEET



1

ACCESSORIES - 8

SR 1601 LPG3

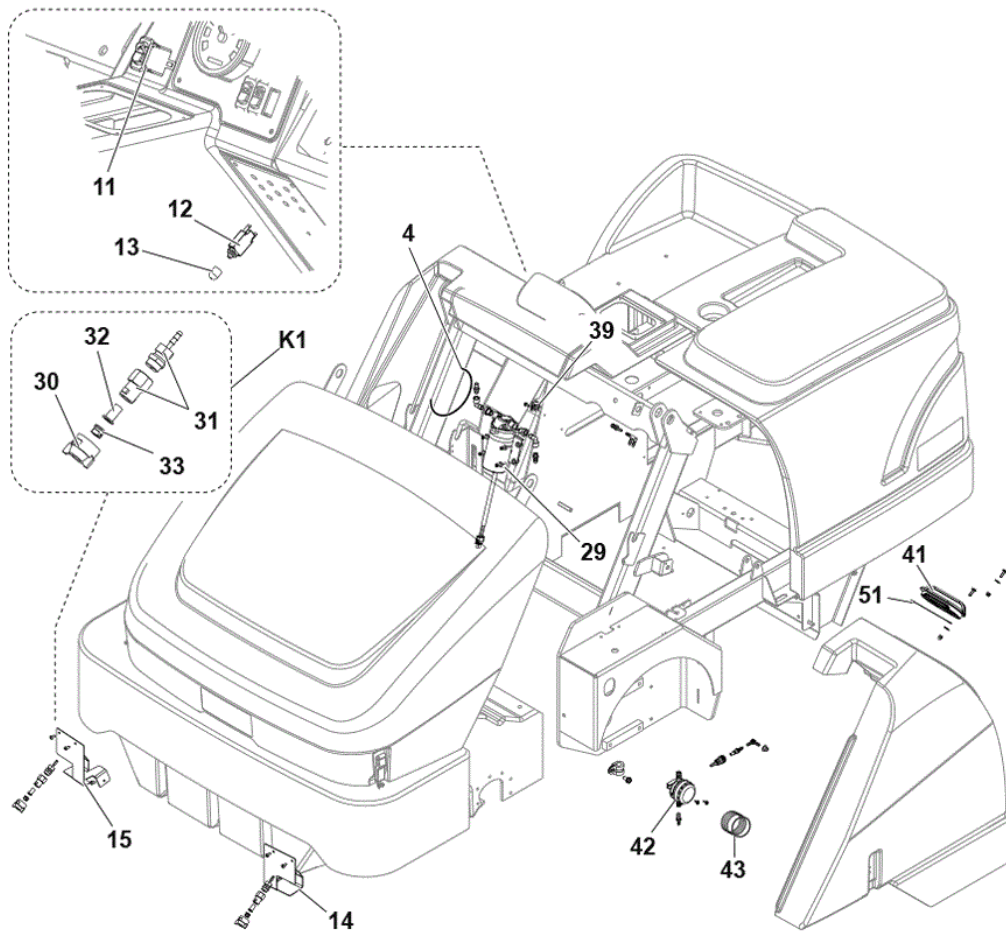
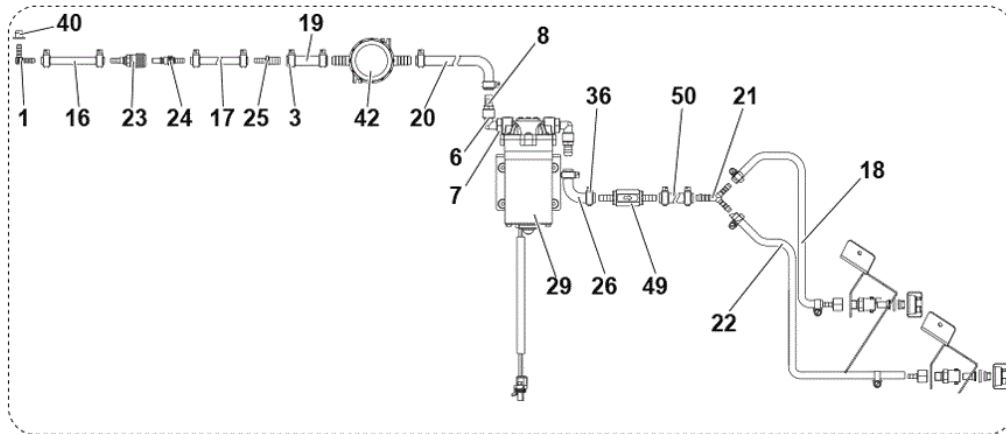
2018.06.21

2018.06.21

Pos.	Artikel-Nr.	Menge	Variante	Notes
1	33019176	1	Taschenfilter-Set 12V	[1]
2	146 1104 000	1	Filterrüttler 90W 12V	
3	33018634	1	Abdichtung Filter	
4	33017421	1	GASKET ADHESIVE 15X5 L.2200MM PKD	
5	33017423	1	GASKET ADHESIVE 15X5 L.2250MM PKD	

Part Notes:

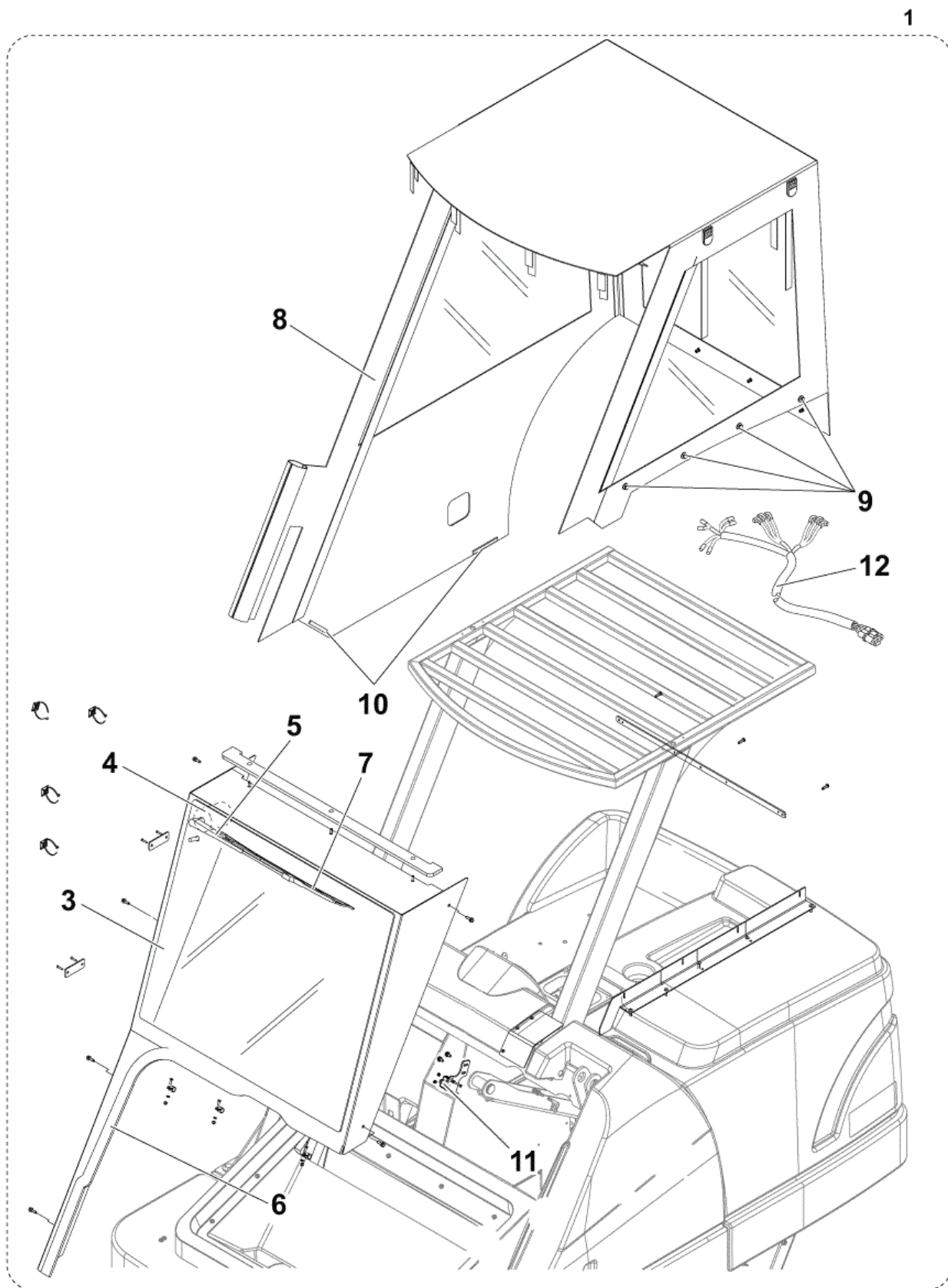
[1] - OPTIONAL - SEE INST. INSTR. 33018766



Pos.	Artikel-Nr.	Menge	Variante	Notes
1	33020824	1	BARB HOSE 90 D.8 PLAST.	
6	33011224	2	Anschlusswinkel 90 °SR 1450	
7	33011494	2	Reduzierung 3/8 1	
8	33011522	2	BARB HOSE STRAIGHT 1/4 D.10.5 MET.	
11	33019325	1	Schalter / Wasser	
12	33023236	1	CIRCUIT BREAKER 10A PKD	
13	33017386	1	BOOT CIRCUIT BREAKER	
14	33017927	1	Klammer li	
15	33017928	1	Klammer re	
21	1467179000	1	ELBOW Y D.6-8-6 2 PCS SET	
23	1465915000	1	CONNECTOR FEMALE	
24	1465916000	1	CONNECTOR MALE	
25	1467180000	1	FITTING STRAIGHT REDUCER 4 PCS SET	
29	33019329	1	Wasserpumpe 12V	
30	1467248000	2	RING NUT QUICK COUPLING PKD	
31	33020865	2	ADAPTER SPRAY KIT	
32	1467245000	2	Rueckschlagventil Filter	
33	1467247000	2	NOZZLE SPRAY D. 0.53 BRASS PKD	
33	1467246000	2	NOZZLE SPRAY D. 0.33 S.S. PKD	
36	33023593	4	Schlauchbriede 8-16/9 DIN3017, 2 St.	
40	909 6089 000	1	Dichtstopfen SR 1450	
41	9097385000	1	Kappe Frischwassertank	
42	9100000860	1	Wasserfilter	
43	9100000861	1	NET WATER FILTER REINFORCED PKD	
49	33021303	1	VALVE CHECK D.10 KIT	[1]
50	33022092	1	HOSE POLYESTER REINF. D.10 L.900MM SIP	
51	9097485000	1	CABLE OPENING CAP	
K1	33019324	2	Düsen Spray Kit	[2]
K2	33019326	1	Verschraubungskit	[3]
K3	33019175	1	Staubbindesystem 12V	[4]

Part Notes:

- [1] - SEE INST.INSTR. 33021304
 [2] - Pos 30-31-32-33
 [3] - NOT SHOWN - Pos 1-2-3-4-5-6-7-8-9-16-17-18-19-20-21-22-23-24-25-26-37-34-38-39-40-49
 [4] - NOT SHOWN - OPTIONAL - SEE INST. INSTR. 33019169



Pos.	Artikel-Nr.	Menge	Variante	Notes
1	33020002	1	Soft Kabine-Set	[1]
3	33020288	1	WINDSCREEN	
4	33020457	1	Motor f. Scheibenwischer	
5	33020571	1	ARM WINDSCREEN WIPER	
6	33020623	1	GASKET	
7	33020460	1	BLADE WIPER	
8	33020292	1	CABIN SOFT	
9	33020461	8	COUPLING QUICK LOCK	
10	33020611	2	MAGNET FIXING CABIN	
11	33020459	1	MICROSWITCH 16A 250V	
12	33020456	1	HARNES MOTOR WINDSCREEN	

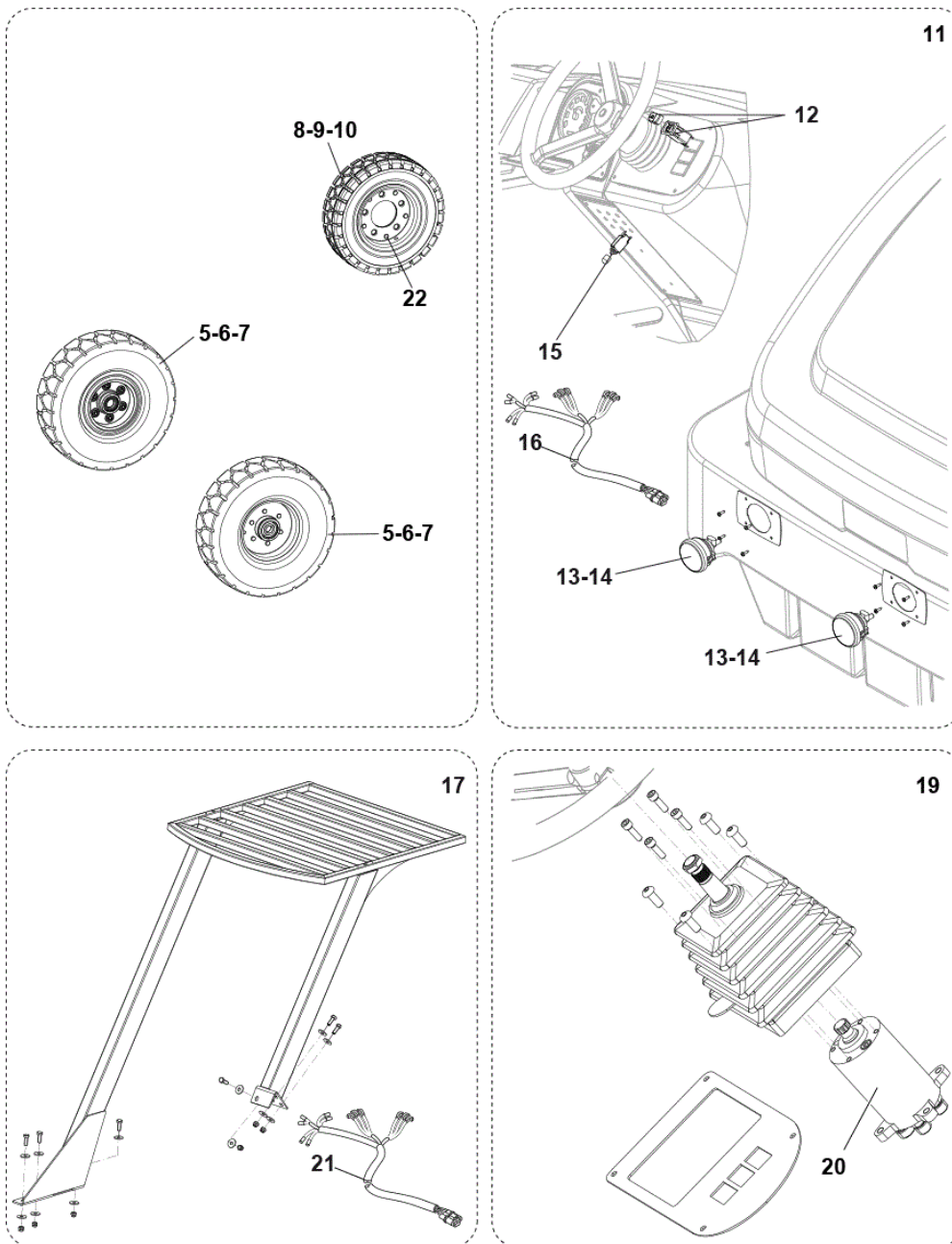
Part Notes:

[1] - OPTIONAL - SEE INST. INSTR. 33020001

Pos.	Artikel-Nr.	Menge	Variante	Notes
1	33020361	1	LIMITING SPEED KIT RETROFIT	[1]
19	33019995	1	BASE SPEED LIMITING	
20	33019996	1	LEVER SPEED LIMITING	
21	33019997	1	LEVER ADJUSTER	
22	33019998	2	PLATE FOR SPEED LIMITING	
23	33020212	1	SUPPORT COLLAR	
25	33020367	1	CLAMP HOSE D.25	
26	146 0617 000	1	U-Scheibe	
34	33020565	1	BRACKET SAFETY GUIDE	
K1	33020350	1	HARDWARE SPEED LIMITING KIT	[2]

Part Notes:

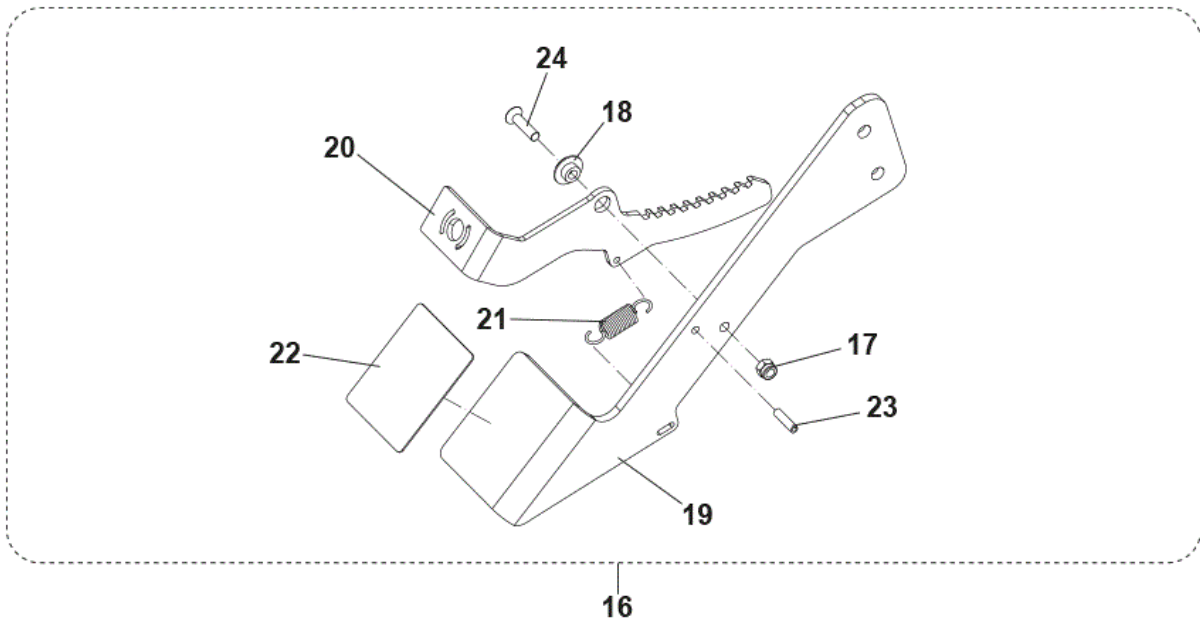
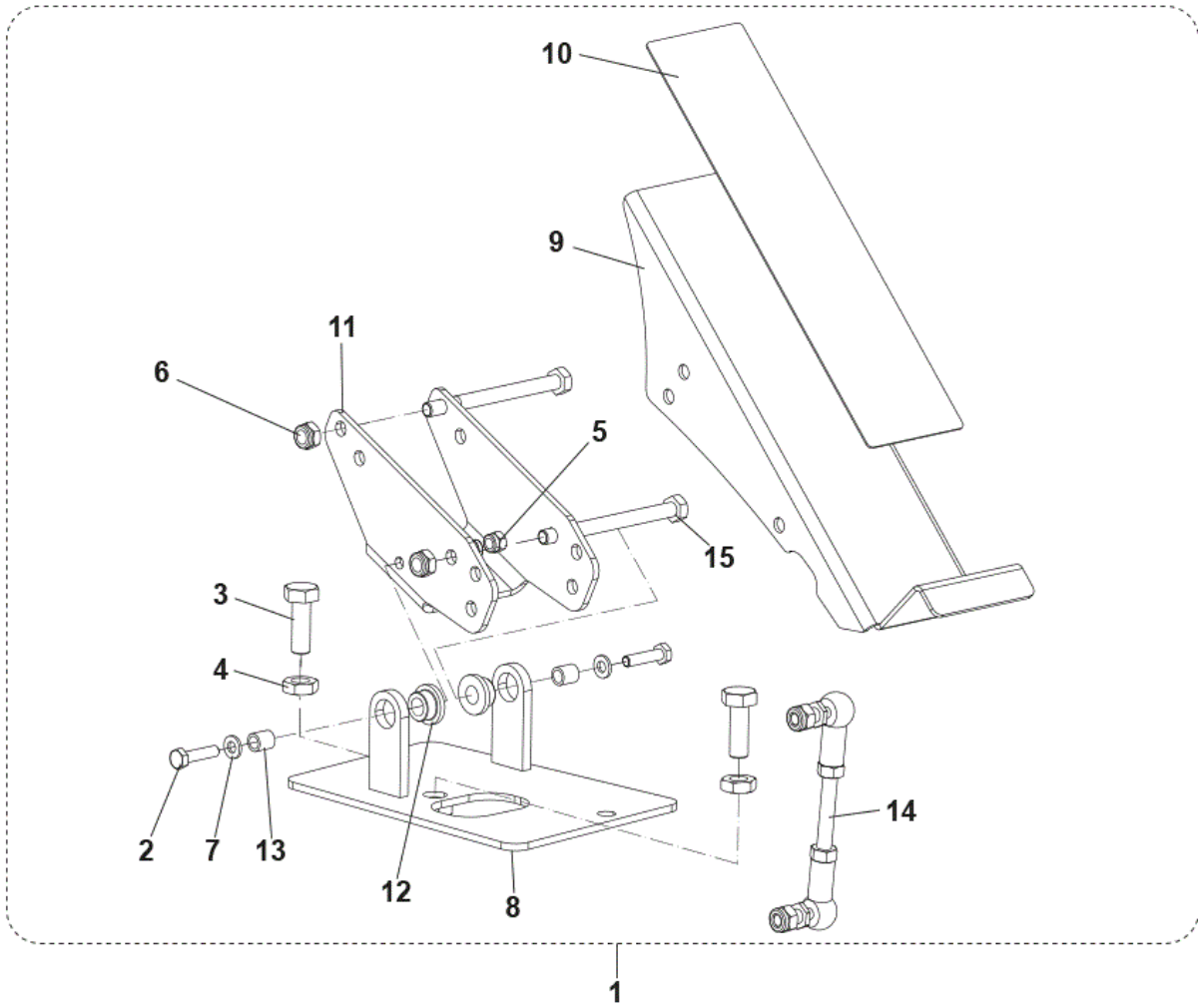
- [1] - OPTIONAL - SEE INST. INSTR. 33020363
- [2] - NOT SHOWN - POS. 2-3-4-5-6-7-8-9-10-11-12-13-14-15-16-17-18-24-27-28-29-30-31-32-33-35-36



Pos.	Artikel-Nr.	Menge	Variante	Notes
5	33022518	1	Räder Luftbefüllt	
6	33023373	2	TIRE 5.00/8 SIP	
7	33023374	2	TUBE INNER 5.00/8 SIP	
8	33023375	1	WHEEL CPL 4.00/8 PNEUMATIC PKD	
9	33023372	1	TIRE 4.00/8 SIP	
10	33023370	1	TUBE INNER 4.00/8 SIP	
11	33023232	1	LIGHT FRONT 12V KIT	[1]
12	33019736	1	SWITCH FRONT LIGHT KIT	
13	1466367000	2	WORK LIGHT 12V COMPLETE PKD	[2]
14	1466368000	2	BULB LIGHT 12V 55W H3 SIP	[2]
15	33023236	1	CIRCUIT BREAKER 10A PKD	
16	33019219	1	HARNES FRONT HEADLIGHT 12 V	[2]
17	33019171	1	Fahrschutzdach-Set	[3]
19	33019174	1	Lenkrad-Set, einstellbar	[4]
20	33022286	1	STEERING UNIT HYDROST.POWER 50CC SIP	
20	33022033	1	GASKET STEERING UNIT KIT	[5]
21	33022486	1	HARNES BEACON FOR OHG KIT	[6]
22	33023369	1	STUD BOLT F WHEELS KIT	
23	56507039	1	Rundumlicht	[7]
24	56507038	1	Rundumlicht	[8]
25	33022681	1	HARDWARE BEACON KIT	[9]

Part Notes:

- [1] - OPTIONAL - SEE INST. INSTR. 33023228
- [2] - FOR KIT 33023232, 33023239
- [3] - OPTIONAL - SEE INST. INSTR. 33020629
- [4] - OPTIONAL - SEE INST. INSTR. 33019157
- [5] - For Item 33022286
- [6] - SEE INST. INSTR. 33022485
- [7] - NOT SHOWN - OPTION - SEE INST. INSTR. 56040899
- [8] - NOT SHOWN - OPTIONAL - SEE INST. INSTR. 56040898
- [9] - NOT SHOWN



Pos.	Artikel-Nr.	Menge	Variante	Notes
1	33018841	1	Fußpedal Kit	
8	33017203	1	MOUNT WELDED PEDAL	
9	33017204	1	FOOT PEDAL UPPER	
10	33017205	1	MAT PEDAL	
11	33017206	1	FOOT PEDAL LOWER	
12	33017216	2	BEARING FLANGE IGLIDUR MFM-1016-10	
13	33017217	2	BUSHING	
14	33018842	1	CONNECTION PEDAL KIT	
16	33018845	1	Bremspedal Kit	
18	33017178	1	BUSH	
19	33017197	1	PEDAL BRAKE MET.	
20	33017198	1	PARKING BRAKE LEVER	
21	33017199	1	Federspanner Kit	
22	33017259	1	MAT PEDAL	
K1	33020416	1	HARDWARE ACC. PEDAL KIT	[1]

Part Notes:

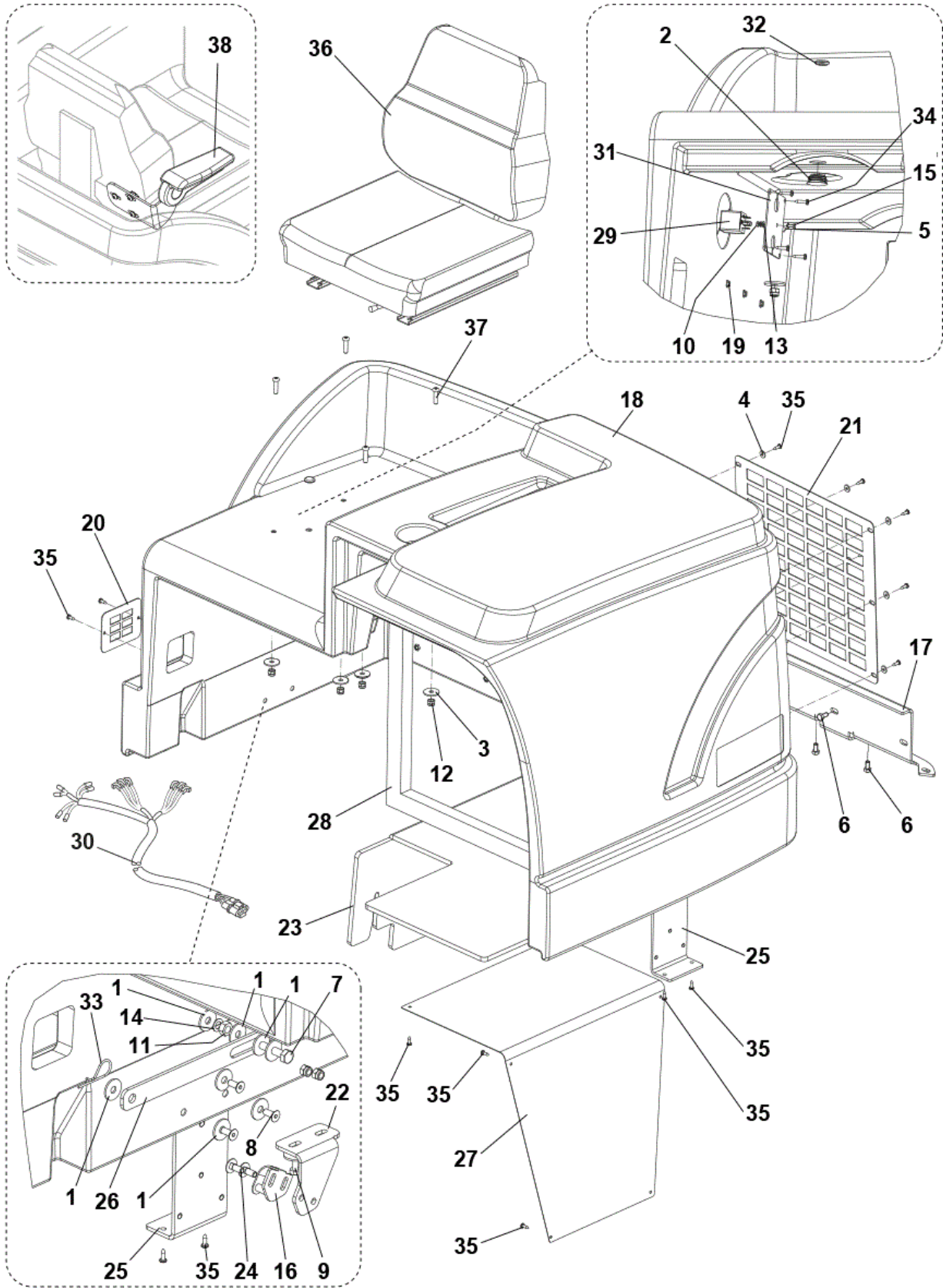
[1] - NOT SHOWN - POS. 2-3-4-5-6-7-15-17-23-24

REAR COVER ASSY

SR 1601 LPG3

2018.06.06

2018.06.06



Pos.	Artikel-Nr.	Menge	Variante	Notes
16	33017177	1	CATCH LATCH	
18	33017230	1	COVER ENGINE	
20	33017244	1	GRILL SIDE SMALL	
21	33017247	1	GRILL REAR	
22	33017261	1	PLATE CATCH	
23	33017682	1	COVER THERMIC INSULATOR	
27	33018732	1	BRACKET CLOSING REAR COVER	
28	33018759	1	GASKET FOR RADIATOR	
29	1466196000	1	RELAY TIMER 0.5 SECONDS PKD	
30	33019697	1	HARNES REAR COVER ENGINE	
31	33019718	1	COMPARTMENT LID TIMER	
36	1467028000	1	SEAT PKD	
38	33019556	1	Arملهne-Set rechts	[1]
39	33019554	1	Sicherheitsgurt-Set	[2]
K1	33018862	1	BONNET BLOCK KIT	[3]
K2	33019103	1	REINFORCEMENT BONNET KIT	[4]
K3	33020340	1	HARDWARE REAR COVER KIT	[5]
K4	33020021	1	Zeitschalter Set	[6]

Part Notes:

- [1] - OPTIONAL
- [2] - NOT SHOWN - OPTIONAL
- [3] - NOT SHOWN - POS. 1-7-11-14-26-33
- [4] - NOT SHOWN - POS. 1-6-8-17-25-35
- [5] - NOT SHOWN - POS. 1-2-3-4-5-6-7-8-9-10-11-12-13-14-15-19-20-24-33-34-35-37
- [6] - NOT SHOWN - SEE TSB IT 2009-036
SEE INST. INSTR. 33020022

RECOMMENDED SPARE PARTS

SR 1601 LPG3

2017.11.02

2018.01.15

Pos.	Artikel-Nr.	Menge	Variante	Notes
	33019148	1	BELT ALTERNATOR	
	33023646	3	LATCH SOFT DRAW RUBBER KIT	
	33019102	1	Seitenbesen Stift Kit	
	33018817	1	Kontrolle Ventil Doppel	
	33018868	1	Hauptkehrwalzantrieb Kit	
	33020442	1	Schlüsselschalter	
	33011530	1	Deckel	
	146 1104 000	1	Filterrüttler 90W 12V	
	33017358	1	Kabelbaum	
	33018841	1	Fußpedal Kit	
	33020018	1	Riemen	
	33002106	1	Federspanner Kit	
	33018815	1	Verteiler 1 Element Kpl.	
	1466194000	1	RELAY TIMER 0.5 SEC. PKD	
	33023472	1	SUPPORT BEARING KIT	
	33017173	2	Abdichtung	
	33017174	1	FLAP REAR BROOM	
	33017360	1	Sicherung 16A	
	33021214	1	HOSE LOWER L.250MM RADIATOR SIP	
	33017375	1	DECAL CONTROL PANEL	
	33017255	1	Seitenbesen PP 1,5/ 260x550 mm	
	33003175	1	Lager konisch	
	909 5706 000	3	Hauptschalter 30 A	
	1466196000	1	RELAY TIMER 0.5 SECONDS PKD	
	8-24-04139-1	1	Kassettenfilter, Ultra-Gewebe, Zellulose	
	145 0231 000	1	Filter (B02.03600)	
	33017171	1	Gummi links	
	1467085000	1	BATTERY START 12V 77 AH PKD	
	33018816	1	Kontrolle Ventil	[1]
	33010199	1	Hydraulikölfilter SR 1800	
	33020016	1	REGULATOR LPG	
	33023375	1	WHEEL CPL 4.00/8 PNEUMATIC PKD	
	1467014000	1	KEY F STARTER SWITCH 2 PCS SET	
	1467063000	1	VALVE SECURITY 400PSI SIP	
	33018812	1	Verteiler 3 Elemente Kpl.	
	33015222	1	Motor Vacum 12 V	
	33022518	2	Räder Luftbefüllt	
	33018850	1	Oel Filter	
	33018864	1	Kraftstoff anzeige Kit	
	1466192000	1	GAUGE 12V PKD	
	33018851	1	Motorölfilter	
	33018840	1	Kontrolle Ventil	
	33017172	1	Gummi Rechts	
	33019149	1	STARTER 12V	
	33020017	1	Starter 12V Benzinmotor	
	33018867	1	Federspanner Kit	
	33018634	1	Abdichtung Filter	
	1466195000	1	TIMER PKD	
	33017756	1	Magnetventil 12V	
	1466193000	1	RELAY TIMER 20 SECONDS PKD	
	33017259	1	MAT PEDAL	
	1467062000	1	SWITCH BACK UP PROXIMITY PKD	
	33017129	1	Abdichtung	
	33017199	1	Federspanner Kit	
	33018372	1	FILTER FUEL	[2]
	33023345	1	HOSE UPPER RADIATOR L.400MM SIP	
	33018869	1	LEVER F MAIN BROOM LIFTING KIT	
	33023192	1	GASKET MOTOR VACUUM SIP	
	1467636000	1	BEARING TAPER ROLLER 32006 SIP	

RECOMMENDED SPARE PARTS

SR 1601 LPG3

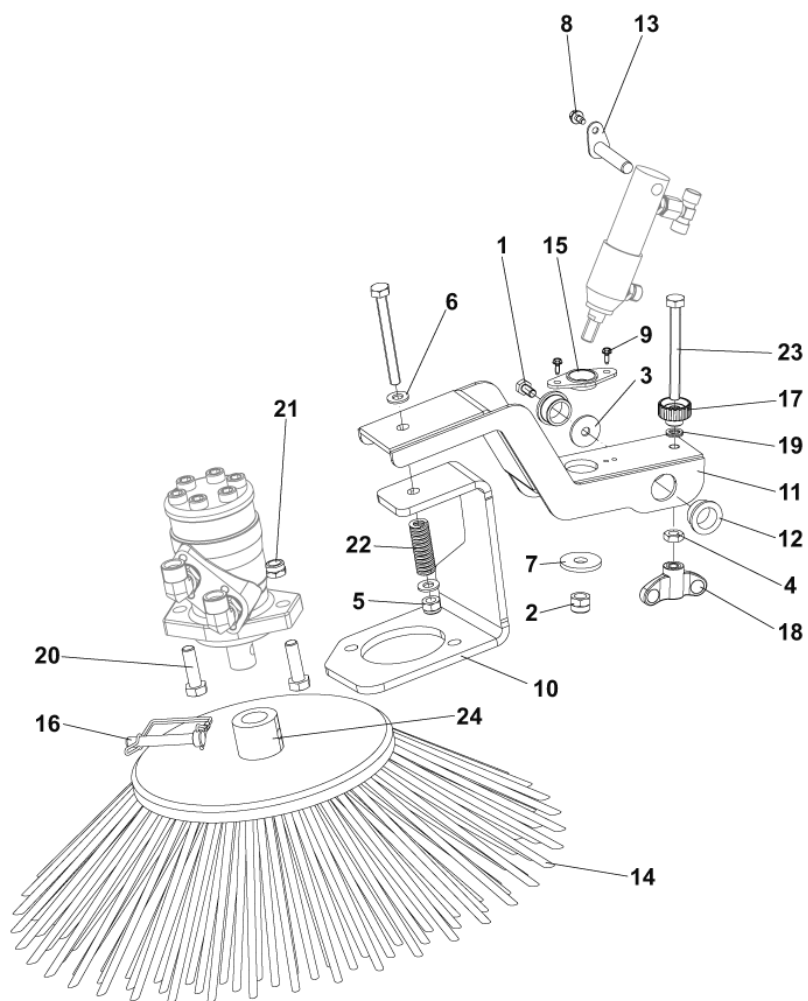
2017.11.02

2018.01.15

Pos.	Artikel-Nr.	Menge	Variante	Notes
	33019998	2	PLATE FOR SPEED LIMITING	
	33019147	1	Generator 12V 60Ah	
	33020381	1	Filterpatrone	
00	9098257000	4	Flügelmutter	
00	33022289	1	Druckschalter	

Part Notes:

- [1] - STOCK COVERS GUARANTEE
- [2] - GUARANTEE DATE EXPIRED



00000000/000000 00

RIGHT SIDE BROOM ASSY

SR 1601 LPG3

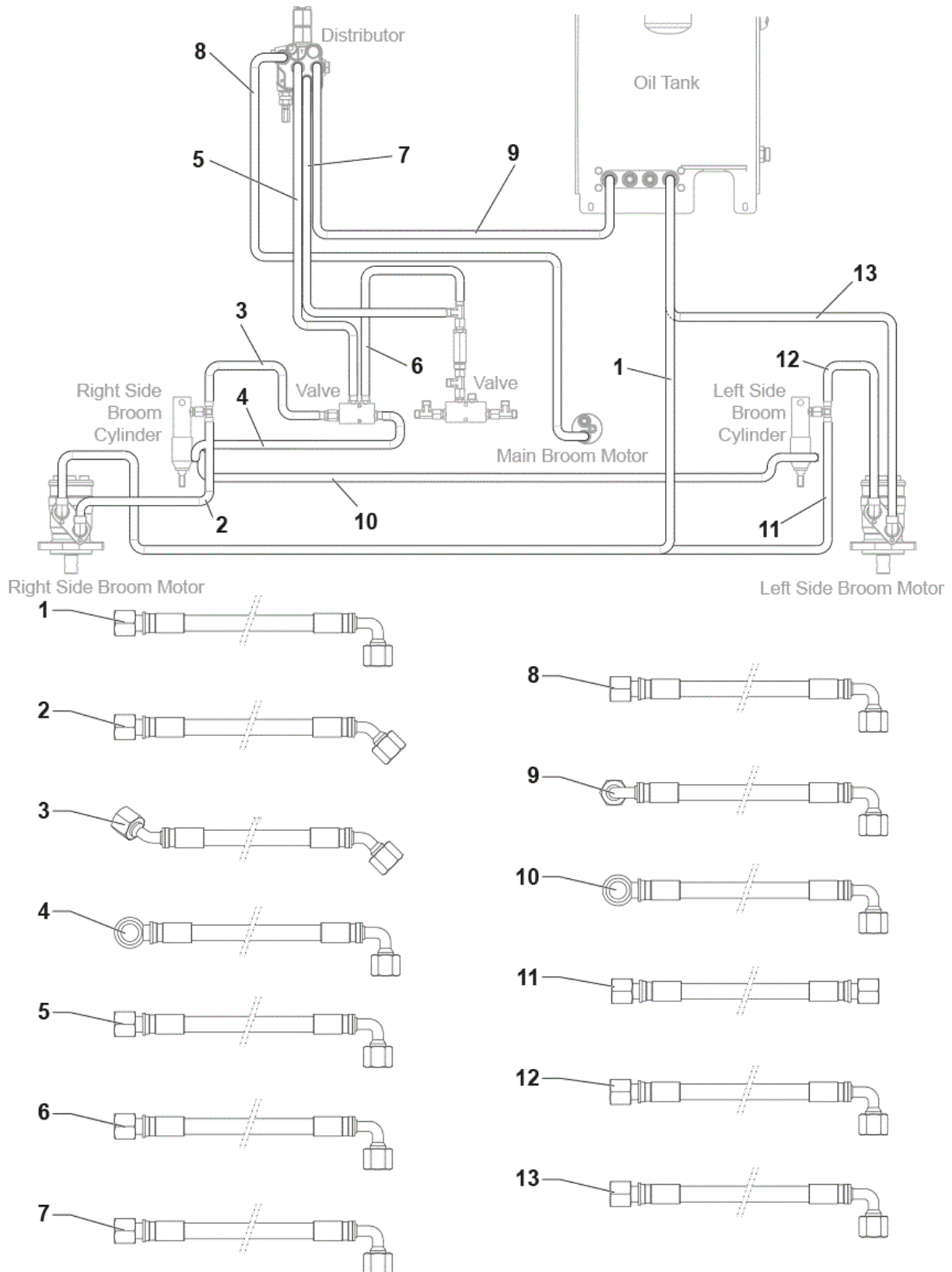
2017.11.02

2018.05.08

Pos.	Artikel-Nr.	Menge	Variante	Notes
10	33017107	1	Halterung f. Seitenbesen-	
11	33017115	1	Arm f. Seitenbesen	
14	33021313	1	Seitenbesen PPL	
14	33017255	1	Seitenbesen PP 1,5/ 260x550 mm	
14	33018889	1	Seitenbesen Stahlmix/PP, 260x550 mm	[1]
14	33023366	1	BROOM SIDE 260X550 NYLON	[2]
16	1467070000	1	PIN D.10 BROOM LOCKING PKD	
17	33017889	1	KNOB M10	
18	33018333	1	Flügelmutter M10	
22	146 1317 000	1	Feder SR 1500 HD	
24	33020628	1	Buchse für Seitenbesen	
K1	33020336	1	HARDWARE SUPPORT KIT	[3]
K2	33020337	1	HARDWARE CYLINDER SIDE BROOM KIT	[4]
K3	33020338	1	HARDWARE SETTING SIDE BROOM KIT	[5]

Part Notes:

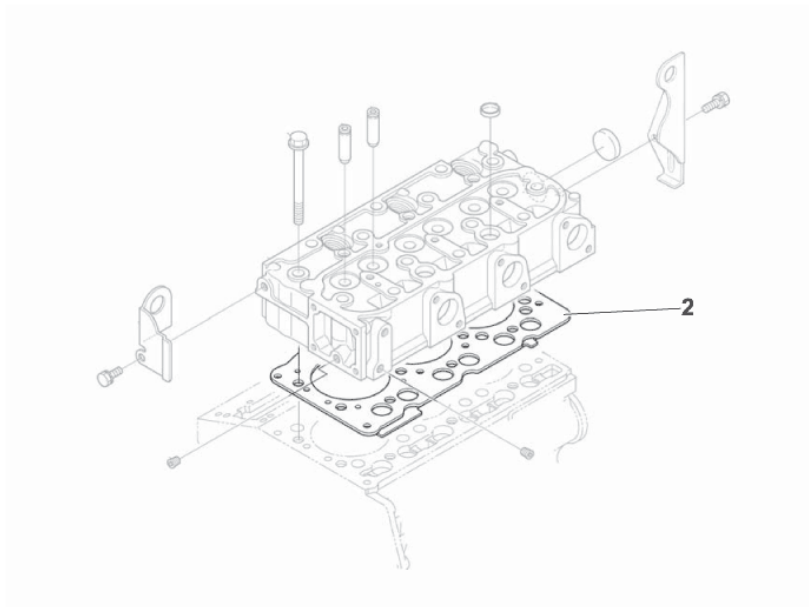
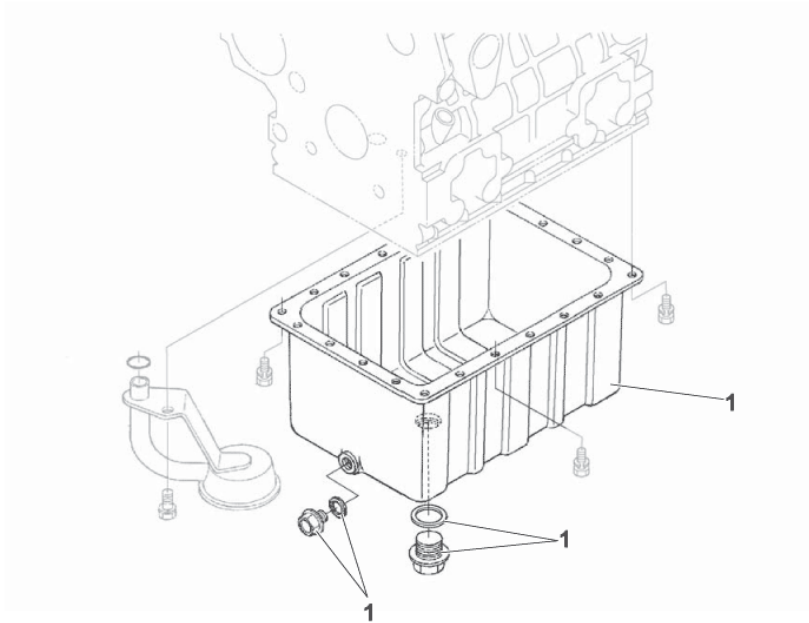
- [1] - OTIONAL
- [2] - OPTIONAL
- [3] - NOT SHOWN - POS. 4-5-6-20-21-22-23
- [4] - NOT SHOWN - POS. 2-7-8-9-13-15
- [5] - NOT SHOWN - POS. 1-3-7-12-17-18-19



Pos.	Artikel-Nr.	Menge	Variante	Notes
1	33018689	1	HOSE HYDRAULIC 1/2 L 2900	[1]
2	33017640	1	HOSE HYDRAULIC 3/8 L 625	
3	33017654	1	HOSE HYDRAULIC 1/4 L 2800	
4	33017643	1	HOSE HYDRAULIC 1/4 L 3400	
5	33017646	1	HOSE HYDRAULIC 1/4 L 1460	
6	33017637	1	HOSE HYDRAULIC 1/4 L 360	
7	33017639	1	HOSE HYDRAULIC 1/4 L 1620	
8	33017631	1	HOSE HYDRAULIC 3/8 L 1520	
9	33017648	1	HOSE HYDRAULIC 1/2 L 740	
10	33017644	1	HOSE HYDRAULIC 1/4 L 2500	[2]
11	33017629	1	HOSE HYDRAULIC 3/8 L 2900	[2]
12	33017642	1	HOSE HYDRAULIC 3/8 L 626	[2]
13	33017645	1	HOSE HYDRAULIC 1/2 L 2170	[2]

Part Notes:

- [1] - only for machine with one side broom
- [2] - only for machine with two side broom



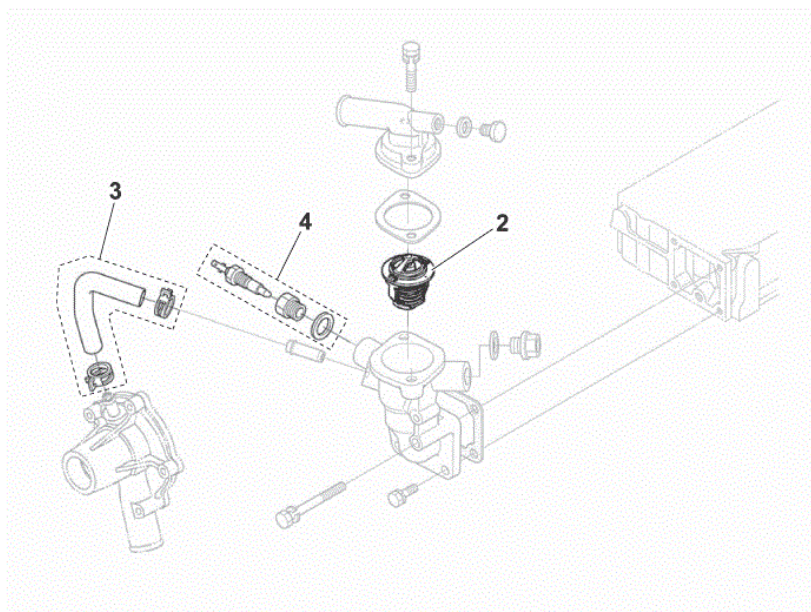
SPARE PARTS DIESEL ENGINE -1

SR 1601 LPG3

2017.11.02

2016.05.18

Pos.	Artikel-Nr.	Menge	Variante	Notes
1	33021405	1	SUMP OIL COMPLETE	
2	33021411	1	Dichtung	



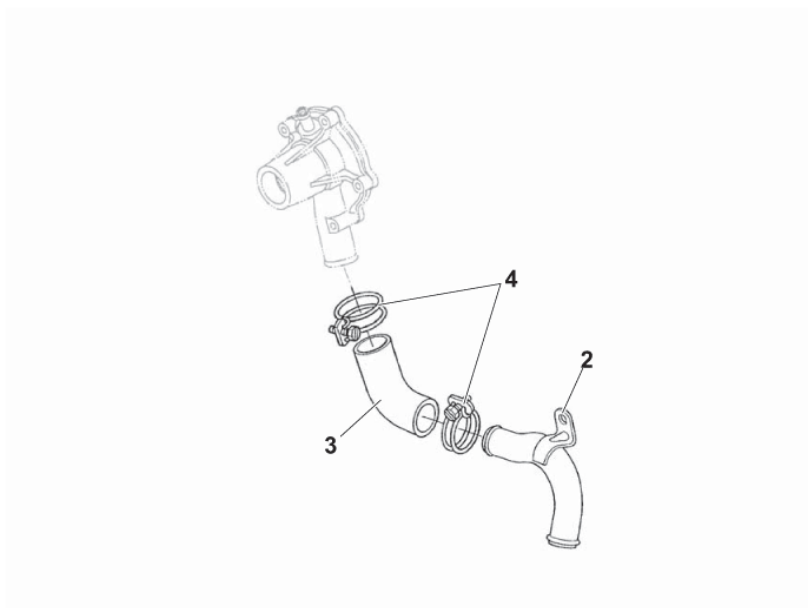
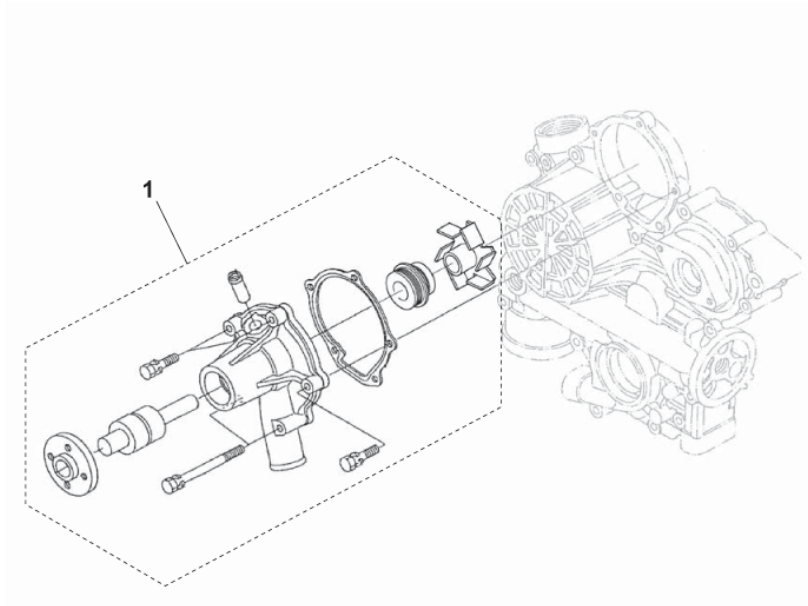
SPARE PARTS DIESEL ENGINE -10

SR 1601 LPG3

2017.11.02

2017.10.12

Pos.	Artikel-Nr.	Menge	Variante	Notes
2	33019752	1	Thermostat	
3	33021580	1	COUPLING KIT	
4	33021581	1	WATER TEMPERATURE SENSOR KIT	



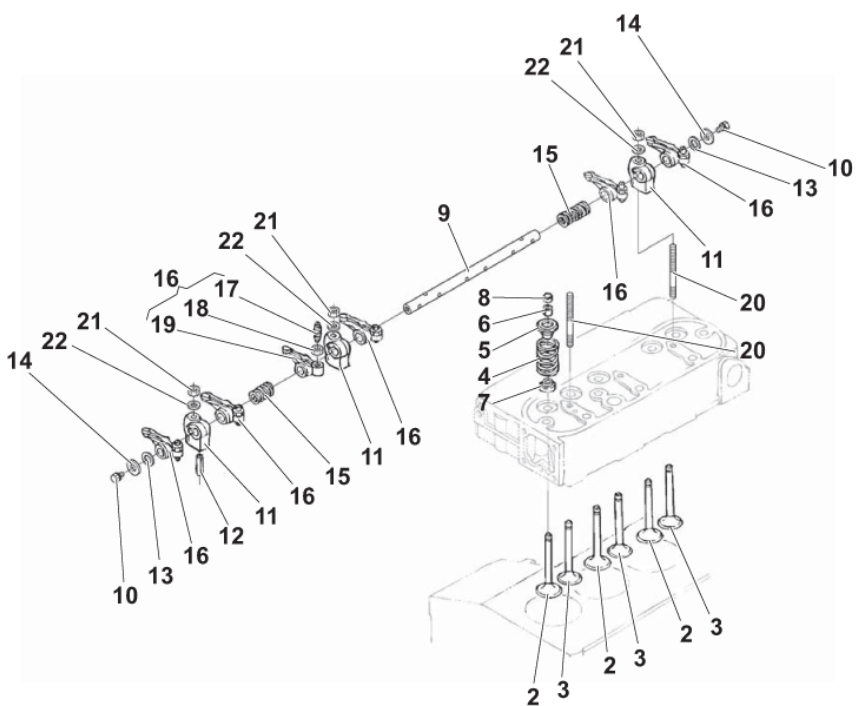
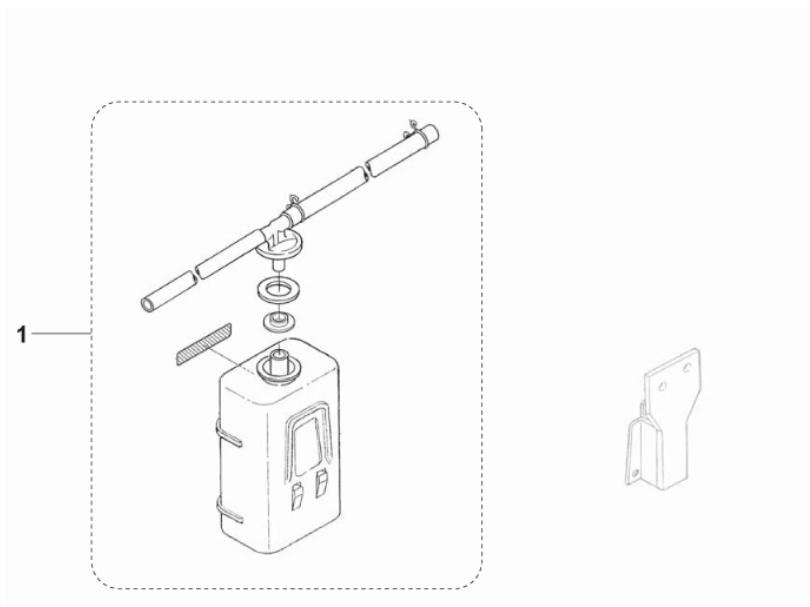
SPARE PARTS DIESEL ENGINE -11

SR 1601 LPG3

2017.11.02

2016.05.18

Pos.	Artikel-Nr.	Menge	Variante	Notes
1	33021583	1	WATER PUMP KIT	
2	33021518	1	WATER PIPE	
3	33021519	1	WATER PIPE	
4	33021520	2	CLAMP	



Resource notes:

Position 19 not available

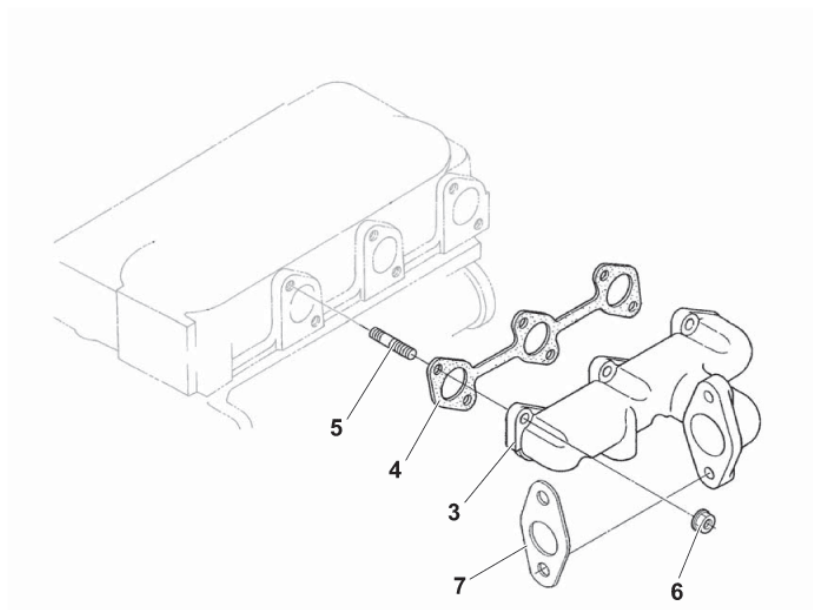
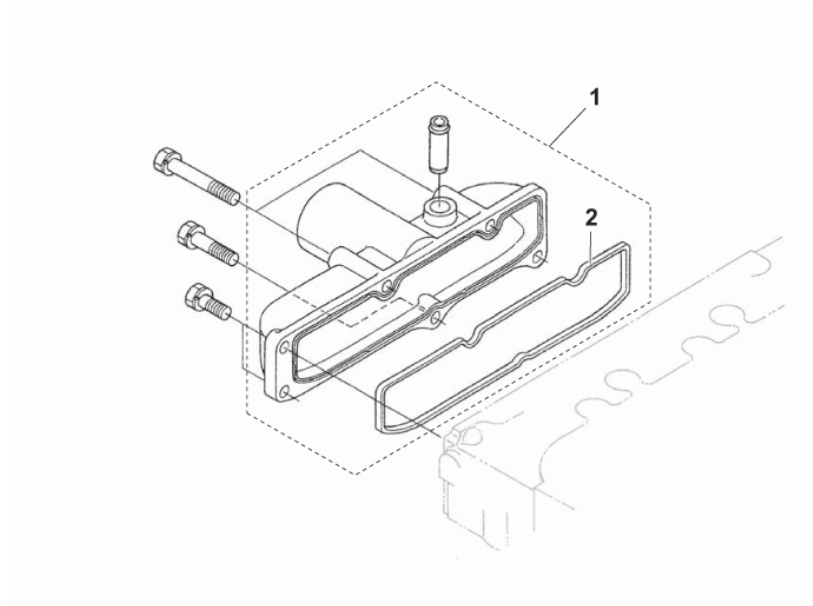
SPARE PARTS DIESEL ENGINE -12

SR 1601 LPG3

2017.11.02

2016.05.18

Pos.	Artikel-Nr.	Menge	Variante	Notes
1	33021522	1	RESERVE TANK COMPLETE	
2	33021523	3	VALVE INLET	
3	33021524	3	VALVE EXHAUST	
4	33021525	6	SPRING VALVE	
5	33021526	6	BRACKET SPRING	
6	33021527	6	PLIERS CLOSING	
7	33021528	6	VALVE SEAL	
8	33021529	6	CLOSING VALVE	
9	33021530	1	SHAFT VALVE	
10	33021531	2	SCREW F KUBOTA ENGINE	
11	33021532	3	BRACKET BALANCER	
12	33021533	1	PIN	
13	33021534	2	WASHER F KUBOTA ENGINE	
14	33021535	2	WASHER F KUBOTA ENGINE	
15	33021536	2	SPRING	
16	33021537	6	ARM BALANCE	
17	33021538	6	SCREW REGULATOR F KUBOTA ENGINE	
18	33021539	6	NUT F KUBOTA ENGINE	
20	33021540	3	STUD BOLT F KUBOTA DIESEL MOTOR	
21	33021541	3	NUT F KUBOTA ENGINE	
22	33021542	3	WASHER F DIESEL ENGINE	



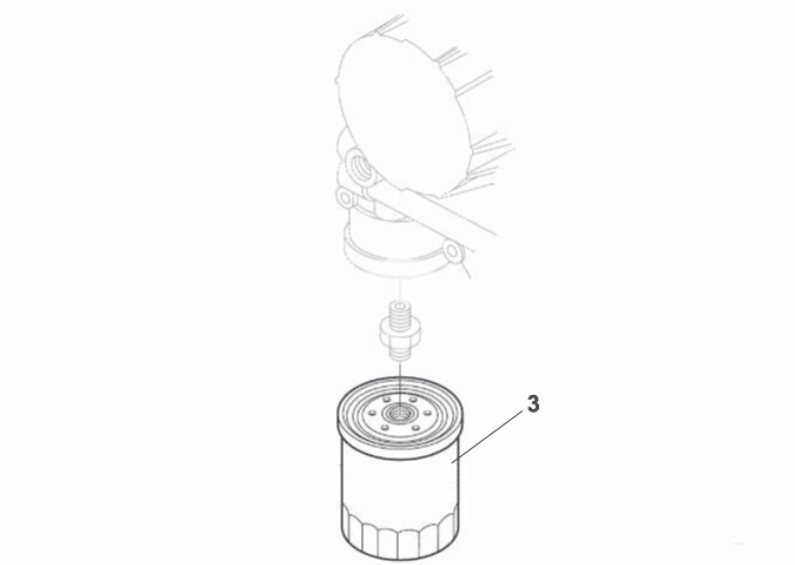
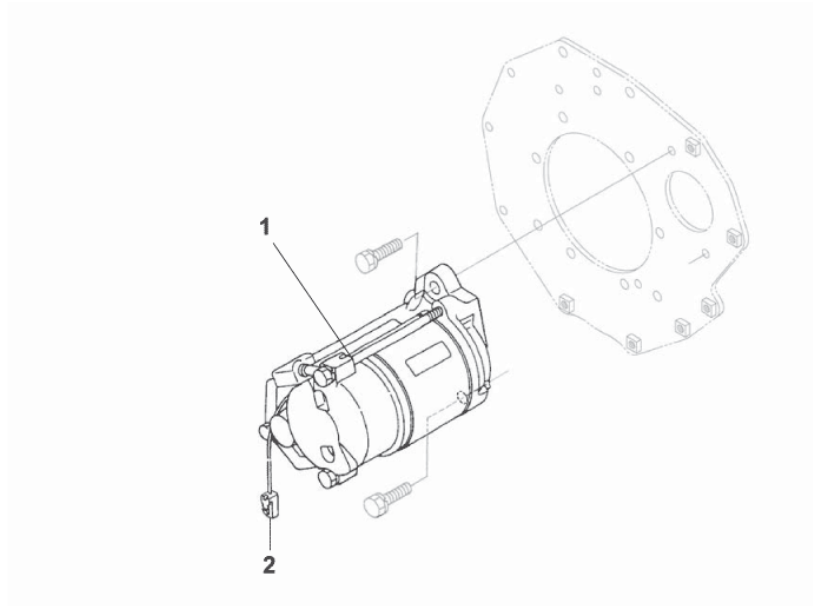
SPARE PARTS DIESEL ENGINE -13

SR 1601 LPG3

2017.11.02

2016.05.18

Pos.	Artikel-Nr.	Menge	Variante	Notes
1	33021546	1	MANIFOLD INLET COMPLETE	
2	33021547	1	GASKET MANIFOLD	
3	33021554	1	MANIFOLD EXHAUST	
4	33021555	1	GASKET MANIFOLD	
5	33021556	6	STUD BOLT F KUBOTA DIESEL MOTOR	
6	33021557	6	NUT F KUBOTA ENGINE	
7	33023360	1	GASKET AND HW F MUFFLER DIESEL KIT	



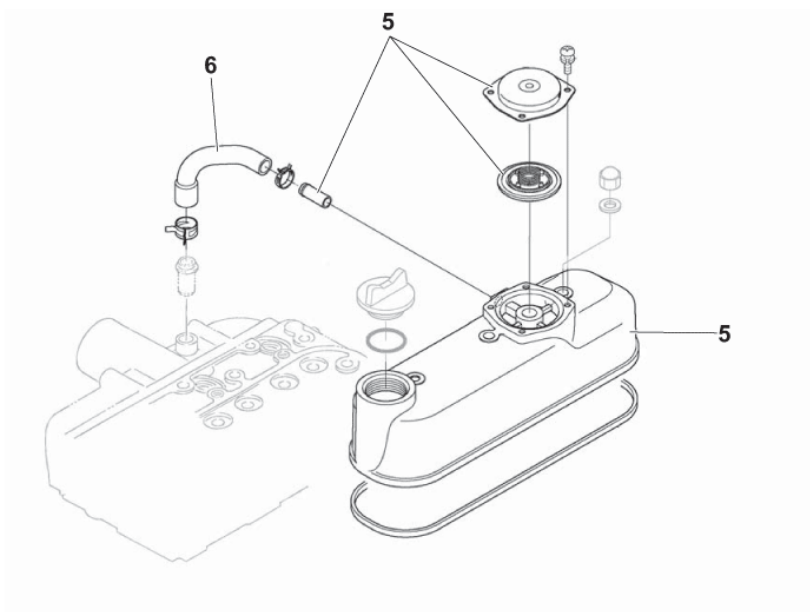
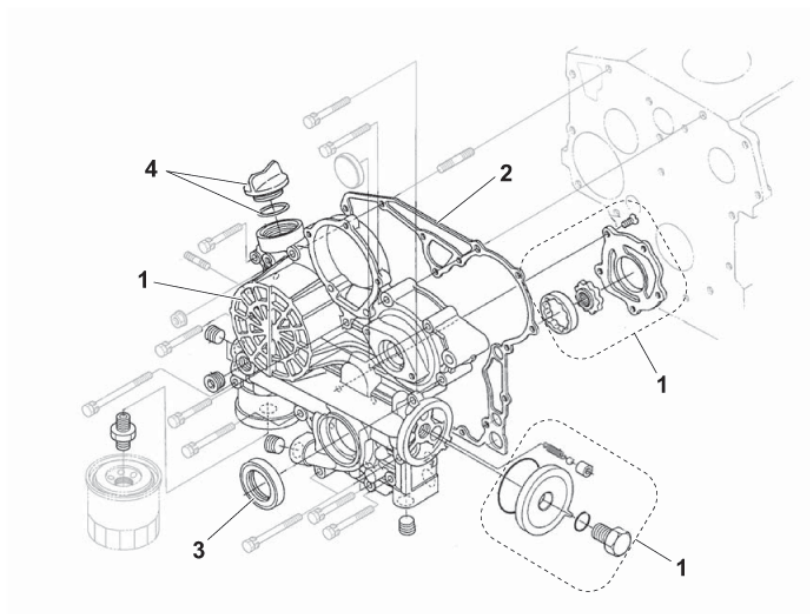
SPARE PARTS DIESEL ENGINE -14

SR 1601 LPG3

2017.11.02

2016.05.18

Pos.	Artikel-Nr.	Menge	Variante	Notes
1	33019149	1	STARTER 12V	
2	33019508	1	CONNECTOR 1 WAY	
3	33018850	1	Oil Filter	



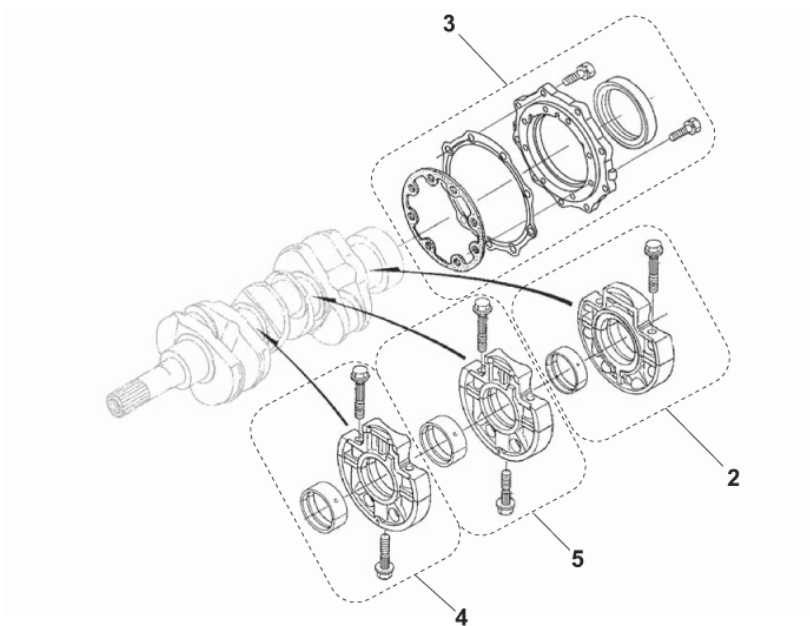
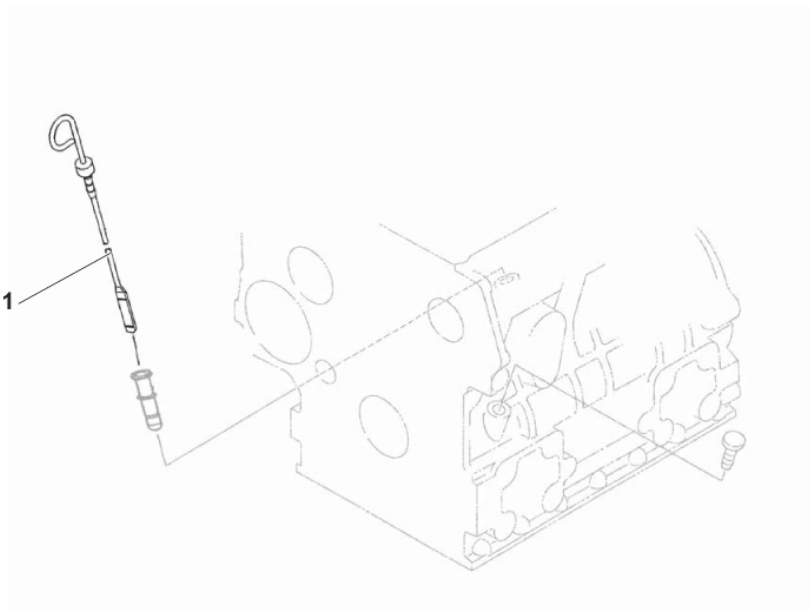
SPARE PARTS DIESEL ENGINE -2

SR 1601 LPG3

2017.11.02

2016.05.18

Pos.	Artikel-Nr.	Menge	Variante	Notes
1	33021412	1	GEAR BOX COMPLETE	
2	33021414	1	GASKET BOX	
3	33021415	1	OIL SEAL	
4	33021567	1	CAP FILLER OPENING KIT	
5	33021418	1	COVER MOTOR HEAD COMPLETE	
6	33021568	1	COUPLING KIT	



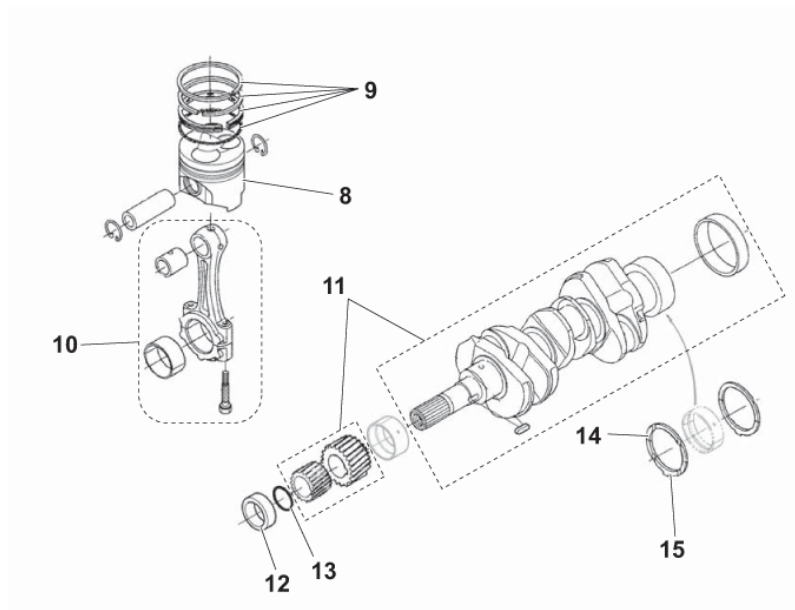
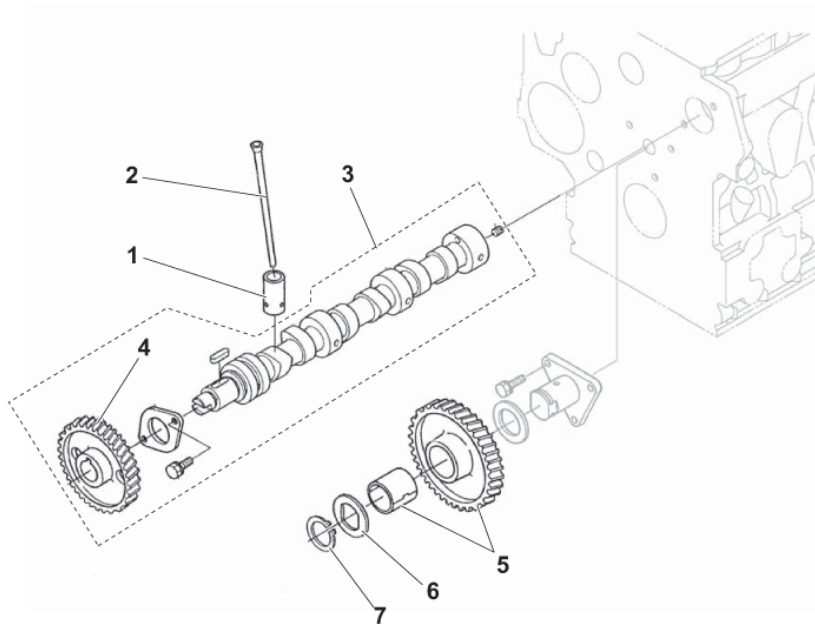
SPARE PARTS DIESEL ENGINE -3

SR 1601 LPG3

2017.11.02

2016.05.18

Pos.	Artikel-Nr.	Menge	Variante	Notes
1	33021424	1	DIPSTICK OIL	
2	33021425	1	SUPPORT MAIN COMPLETE	
3	33021570	1	SHAFT COVER KIT	
4	33021432	1	SUPPORT MAIN COMPLETE	
5	33021433	1	SUPPORT MAIN COMPLETE	



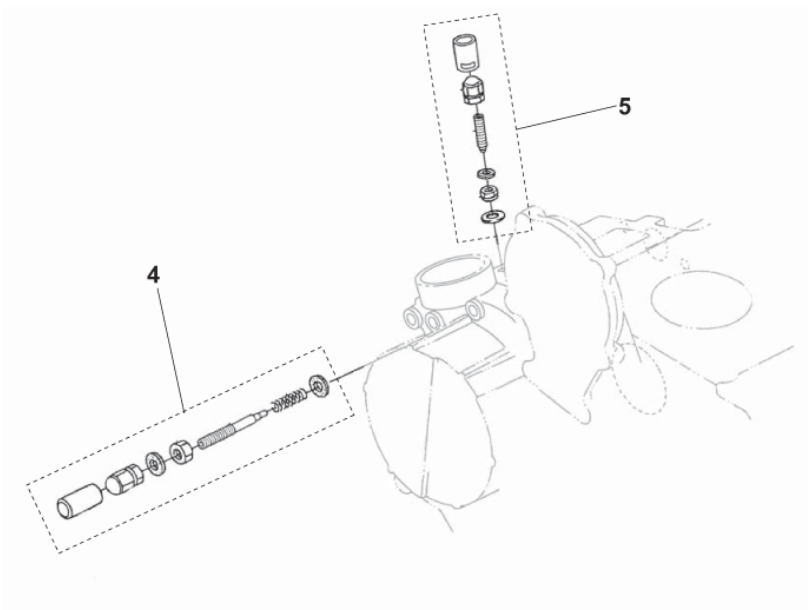
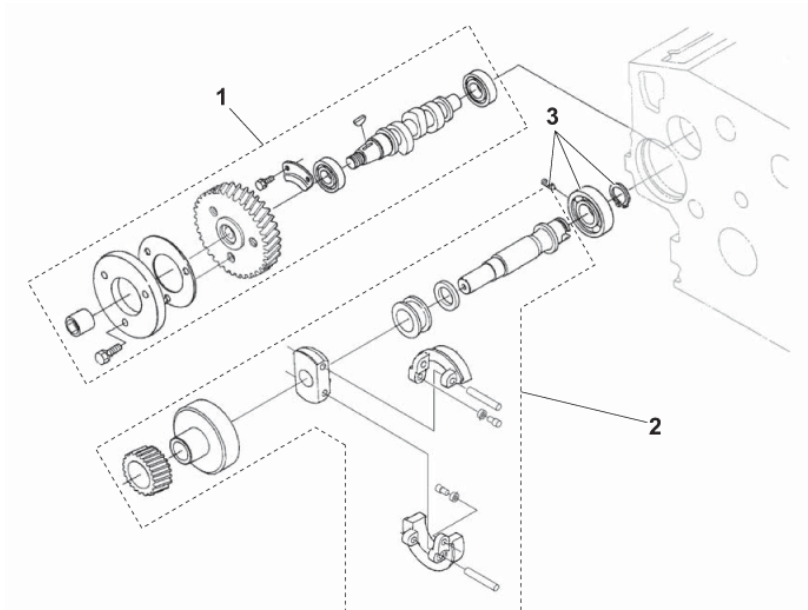
SPARE PARTS DIESEL ENGINE -4

SR 1601 LPG3

2017.11.02

2016.05.18

Pos.	Artikel-Nr.	Menge	Variante	Notes
1	33021437	6	TAPPET	
2	33021438	6	ROD TAPPET	
3	33021440	1	CAMSHAFT	
4	33021441	1	GEAR SHAFT	
5	33021442	1	COUNTERGEAR COMPLETE	
6	33021443	1	WASHER F KUBOTA ENGINE	
7	33021444	1	RING	
8	33021445	3	PISTON	
9	33021446	3	PISTON RING KIT	
10	33021447	3	CONNECTING ROD CPL	
11	33021448	1	CRANKSHAFT COMPLETE	
12	33021449	1	SPACER SHAFT F DIESEL MOTOR	
13	33021450	1	O-RING FOR SHAFT	
14	33021451	2	THICKNESS STANDARD	
15	33021452	2	THICKNESS STANDARD	



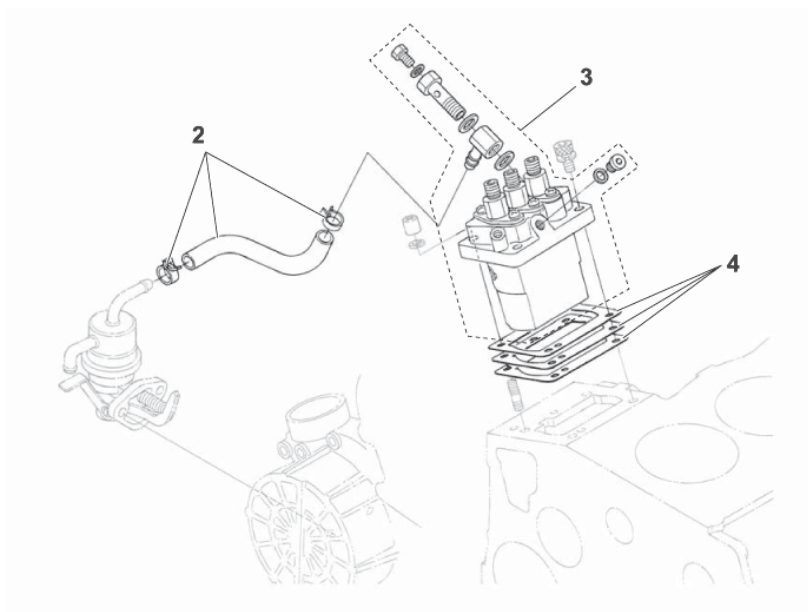
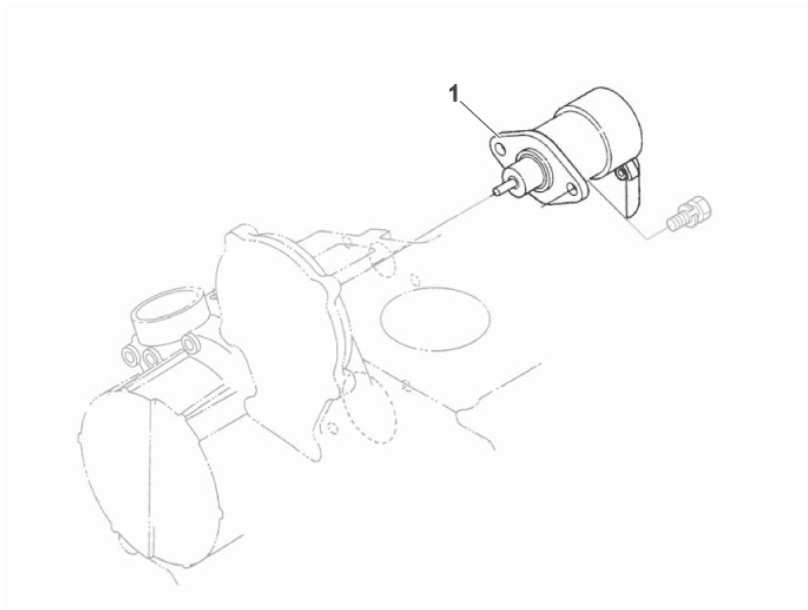
SPARE PARTS DIESEL ENGINE -5

SR 1601 LPG3

2017.11.02

2016.05.18

Pos.	Artikel-Nr.	Menge	Variante	Notes
1	33021571	1	INJECTION SHAFT KIT	
2	33021466	1	REGULATOR SHAFT COMPLETE	
3	33021572	1	BEARING BALL F DIESEL ENGINE KIT	
4	33021473	1	REGULATOR IDLE	
5	33021574	1	ADJUSTMENT SCREW KIT	



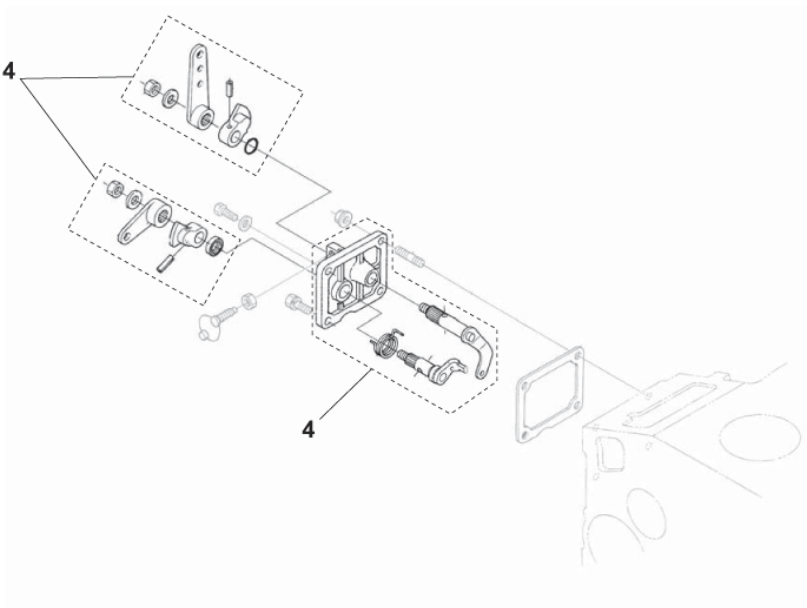
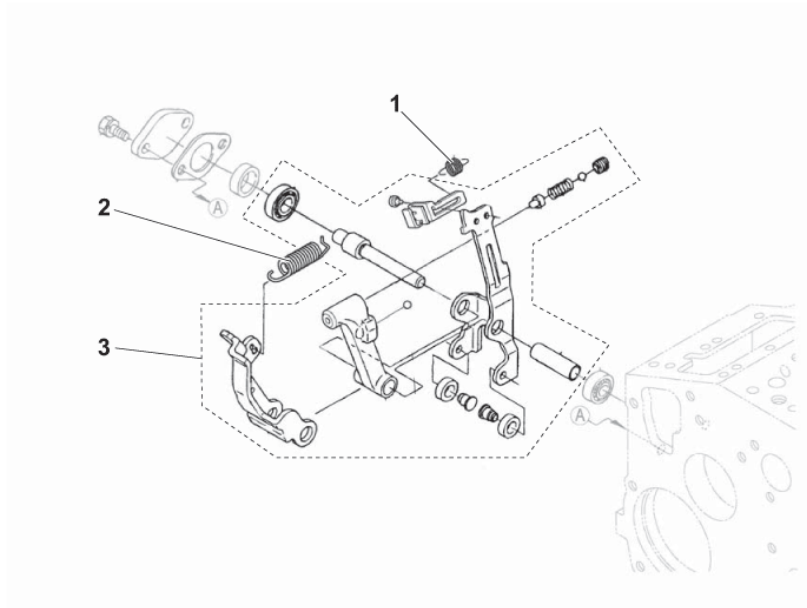
SPARE PARTS DIESEL ENGINE -6

SR 1601 LPG3

2017.11.02

2016.05.18

Pos.	Artikel-Nr.	Menge	Variante	Notes
1	33020380	1	SOLENOID VALVE STOP	
2	33021479	1	HOSE FUEL	
3	33021480	1	PUMP INJECTION COMPLETE	
4	33021575	1	INJECTION PUMP THICKNESS KIT	



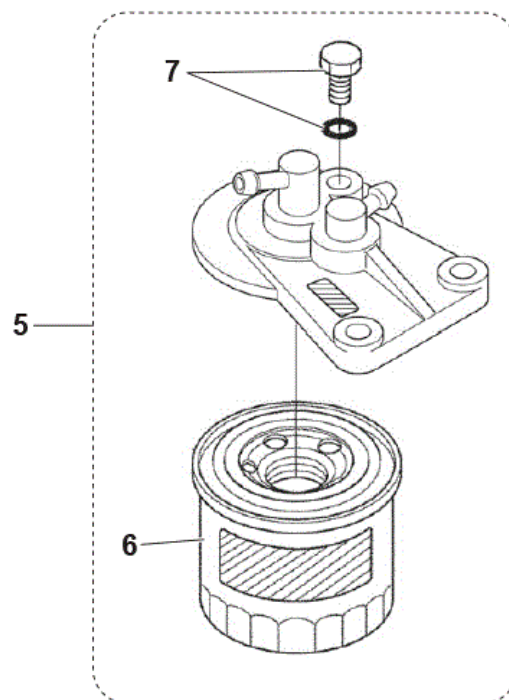
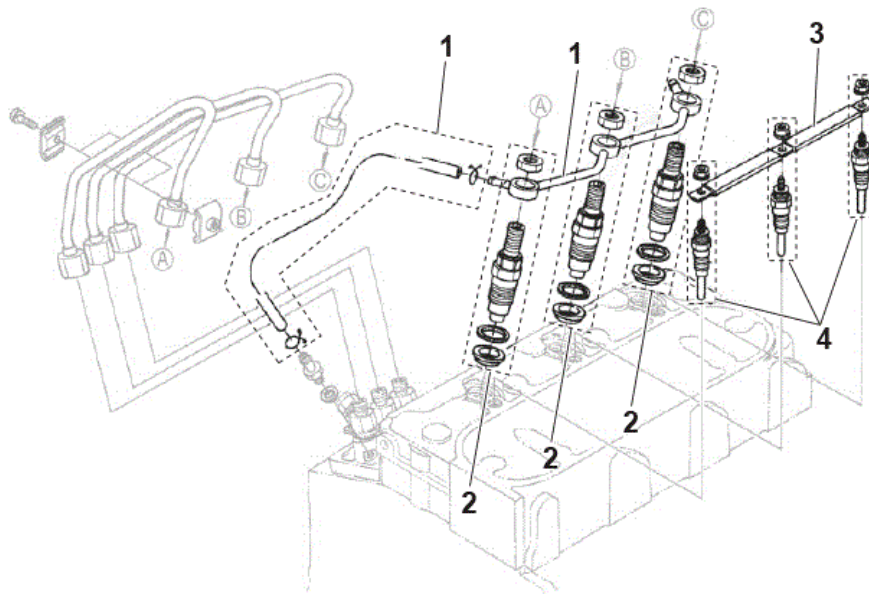
SPARE PARTS DIESEL ENGINE -7

SR 1601 LPG3

2017.11.02

2016.05.18

Pos.	Artikel-Nr.	Menge	Variante	Notes
1	33021492	1	SPRING	
2	33021493	1	SPRING F DIESEL MOTOR	
3	33021494	1	REGULATOR COMPLETE	
4	33021495	1	CONTROL PLATE SPEED COMPLETE	



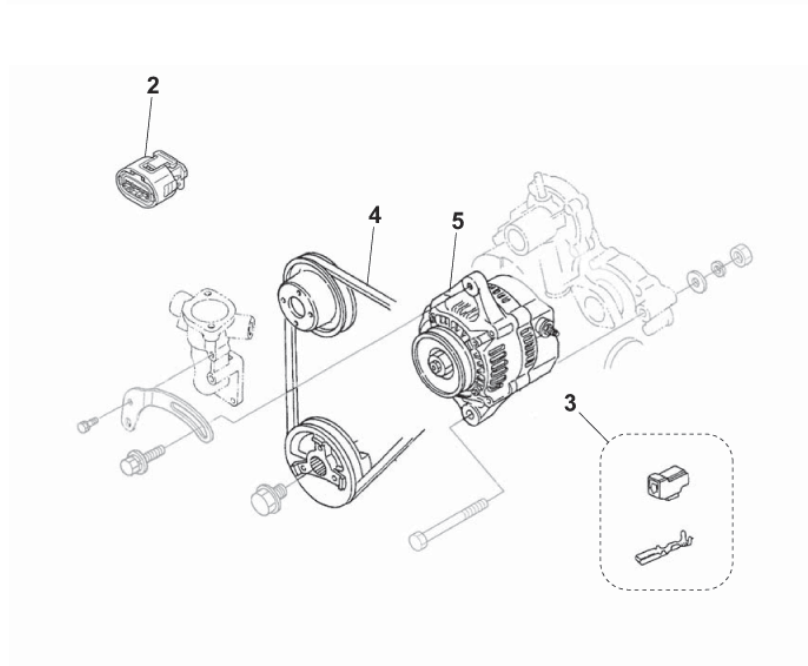
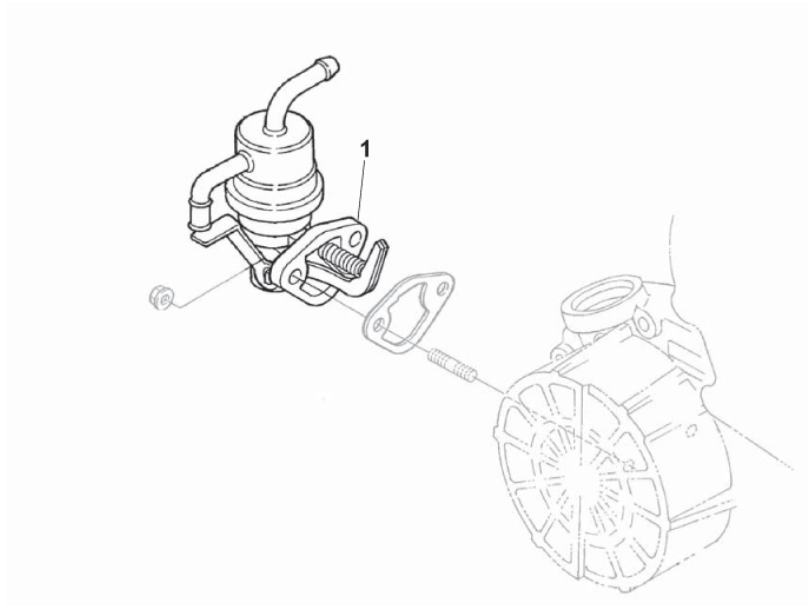
SPARE PARTS DIESEL ENGINE -8

SR 1601 LPG3

2018.10.04

2018.10.05

Pos.	Artikel-Nr.	Menge	Variante	Notes
1	33021577	1	INJECTORS PIPE KIT	
2	33021498	3	INJECTOR COMPLETE	
3	33021499	1	CONNECTION GLOW PLUG	
4	33020439	1	GLOW PLUGS KIT SR1601 D3	
5	33019749	1	Kraftstofffilter	
6	33020381	1	Filterpatrone	
7	33021579	1	OIL FILTER PLUG KIT	



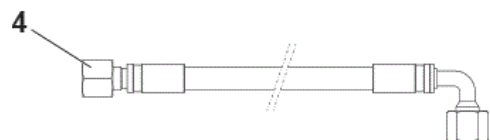
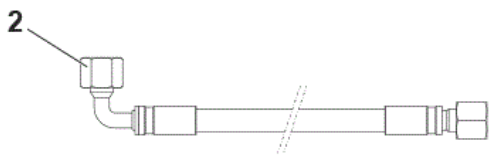
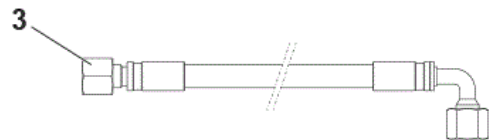
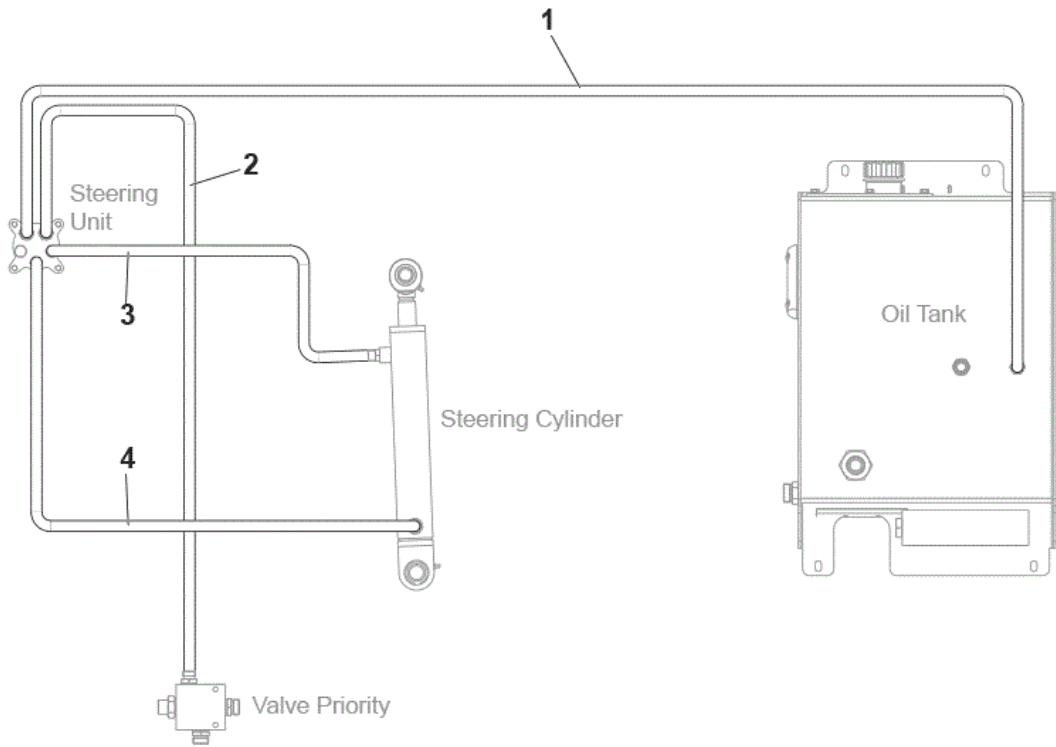
SPARE PARTS DIESEL ENGINE -9

SR 1601 LPG3

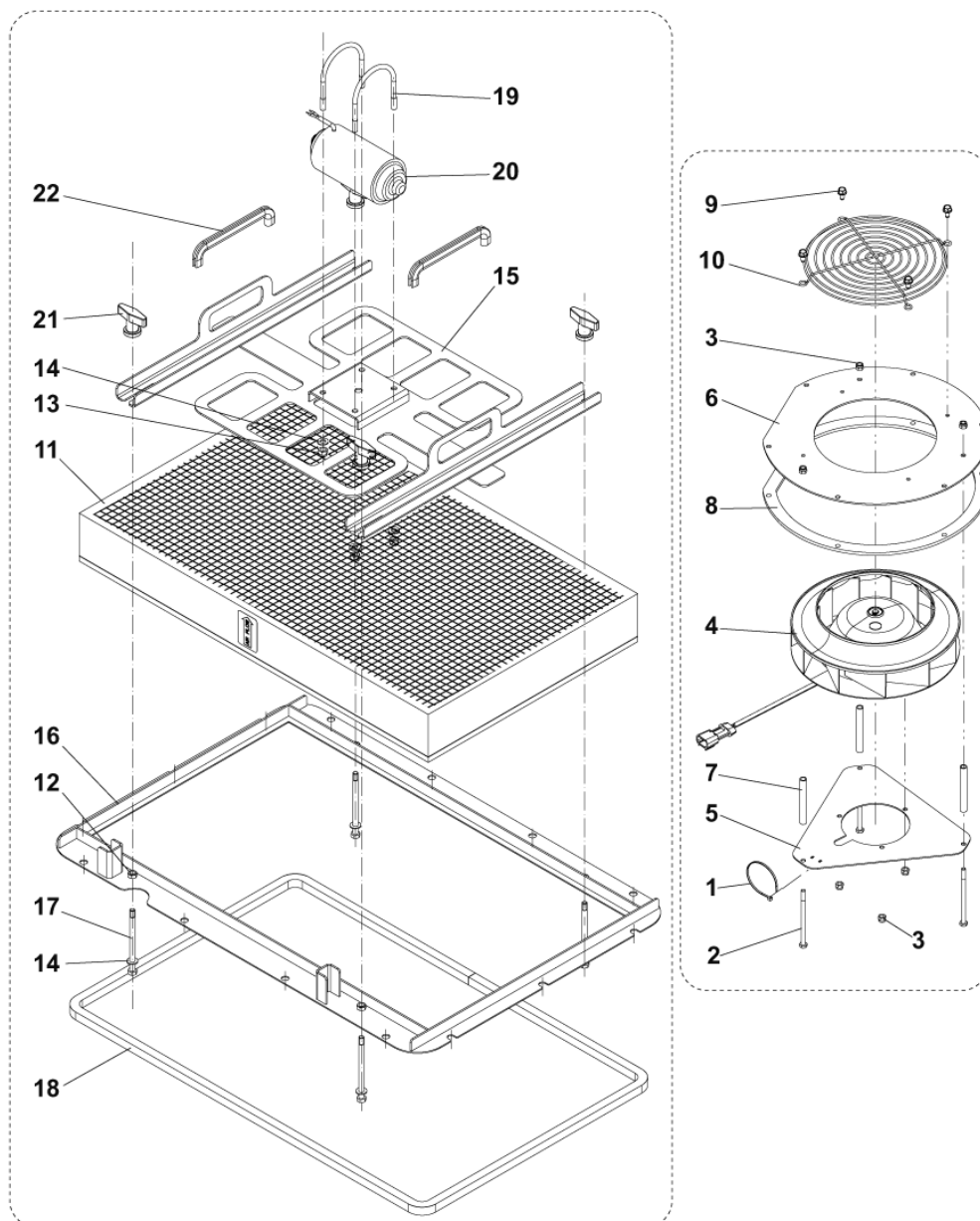
2017.11.02

2016.05.18

Pos.	Artikel-Nr.	Menge	Variante	Notes
1	33019754	1	PUMP DIESEL FUEL	
2	33023367	1	CONNECTOR PLUG ELECTRICAL 3 WAY SIP	
3	33021508	1	CONNECTOR 1 WAY	
4	33019148	1	BELT ALTERNATOR	
5	33019147	1	Generator 12V 60Ah	



Pos.	Artikel-Nr.	Menge	Variante	Notes
1	33020136	1	HOSE HYDRAULIC 3/8 L 1200	
2	33020137	1	HOSE HYDRAULIC 3/8 L 1380	
3	33017622	1	HOSE HYDRAULIC 1/4 L 1320	
4	33017625	1	HOSE HYDRAULIC 1/4 L 1150	

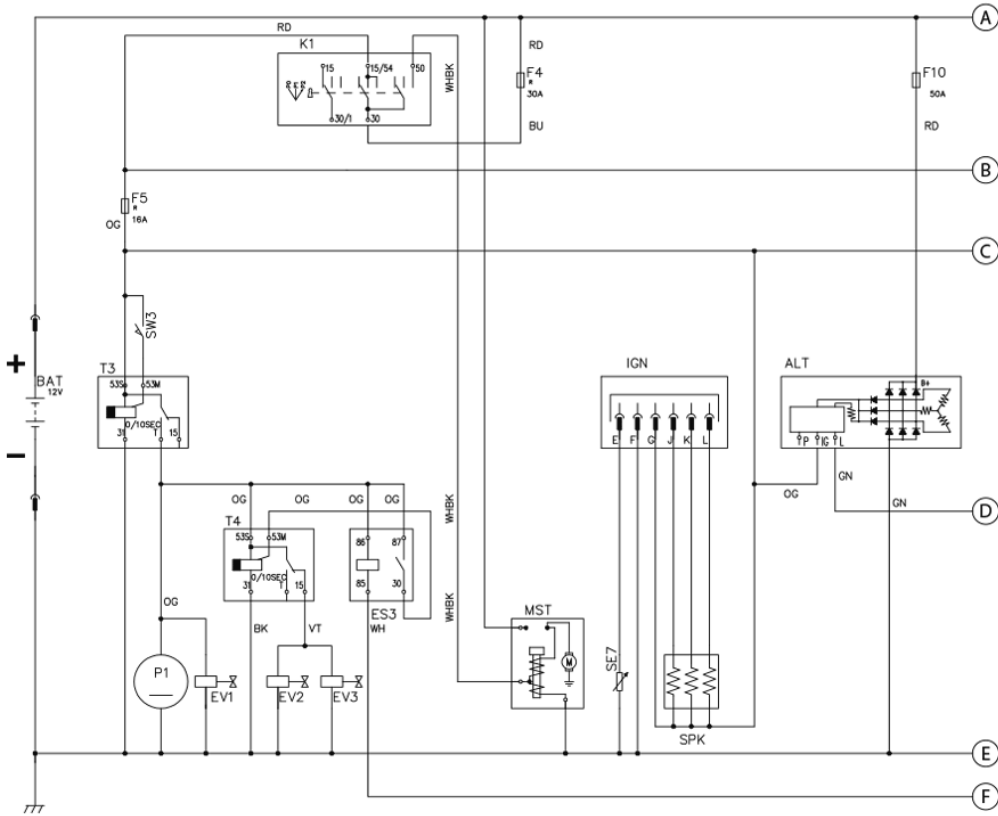


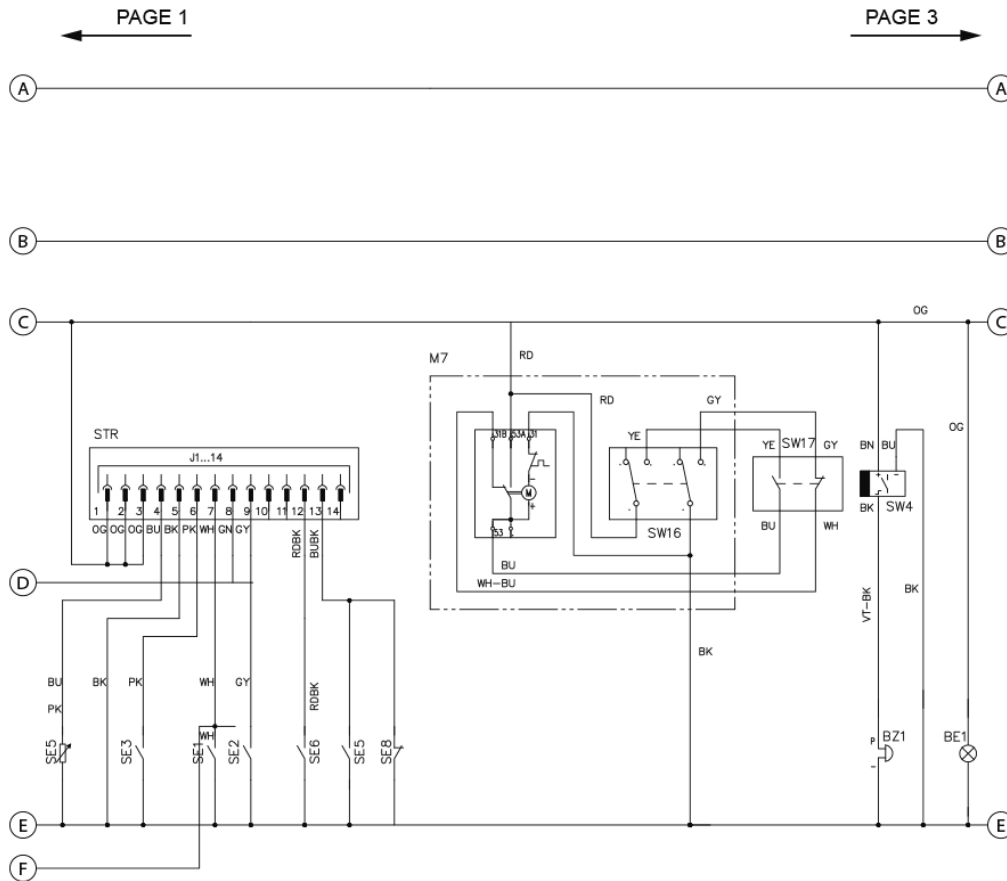
Pos.	Artikel-Nr.	Menge	Variante	Notes
4	33015222	1	Motor Vacum 12 V	
8	33023192	1	GASKET MOTOR VACUUM SIP	
11	8-24-04139-1	1	Kassettenfilter, Ultra-Gewebe, Zellulose	
11	56382789	1	Kassettenfilter Polyester	[1]
15	33023576	1	PLATE FILTER SHAKER KIT	
16	33017119	1	Rahmen f. Filter	
18	33018634	1	Abdichtung Filter	
20	146 1104 000	1	Filterrüttler 90W 12V	
21	9098257000	4	Flügelmutter	
22	33021181	1	GASKET U SHAPED PVC L.170MM PKD	
K1	33018804	1	FIXING ELECTROFAN KIT	[2]
K2	33018805	1	GRILL ELECTROFAN KIT	[3]
K3	33020335	1	Filtergestellkit	[4]
K4	33019259	1	ANTISTATIC KIT	[5]

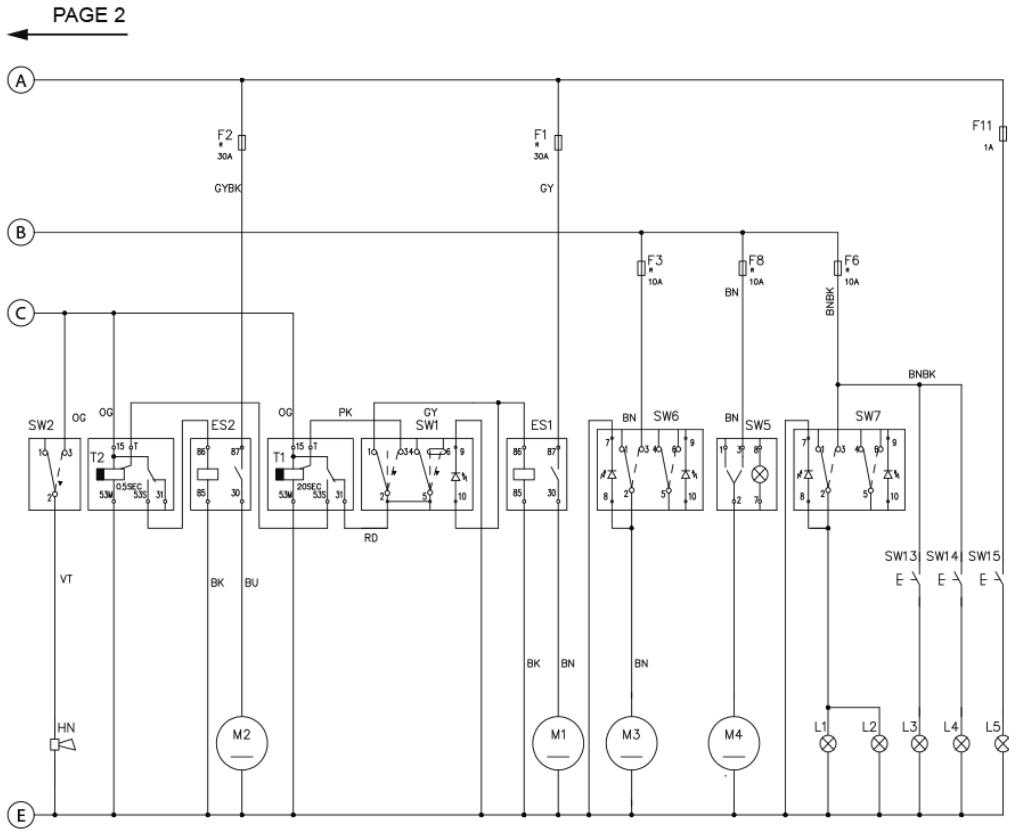
Part Notes:

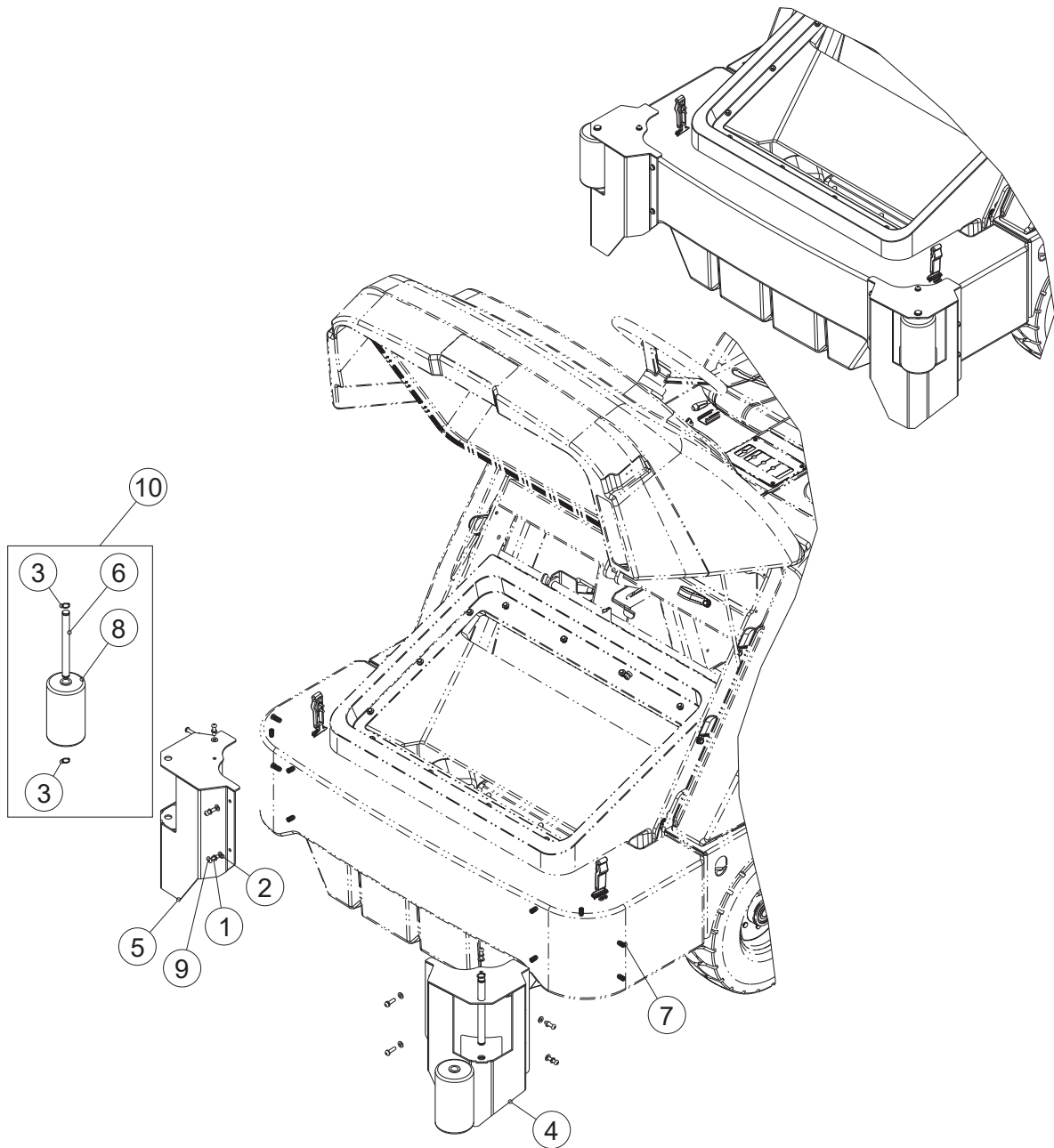
- [1] - OPTIONAL
- [2] - NOT SHOWN - POS. 1-2-3-5-6-7
- [3] - NOT SHOWN - POS. 9-10
- [4] - NOT SHOWN - POS. 12-13-14-17-19
- [5] - NOT SHOWN - INST. INSTR. 33019261 - TSB IT 2010-046

PAGE 2 →









Pos.	Artikel-Nr.	Menge	Variante	Notes
	33019571	1	Anfahrerschutz-Set	[1]
1		10	WASHER SPRING LOCK M8 DIN127-B	
2		10	WASHER PLAIN M8X16 ISO7089	
3		4	SHAFT RING D.19	
4		1	GUARD LEFT SIDE BROOM	
5		1	GUARD RIGHT SIDE BROOM	
6		2	PIN ROLLER SIDE BROOM PROTECTION	
7		10	SLEEVE M8 W/HEX	
8		2	BUMPER	
9		10	SCREW M8X30 BUTTON HD HEX SOCK ISO7380	
10	33023882	1	BUMPER PIVOT KIT	

Part Notes:

[1] - IS_33019203_INSTRUCTIONS INSTALL. KIT 33019571

