

# PARTS LIST

2017.08.28

 **Nilfisk**<sup>®</sup>

 07351-5758060

[kontakt@nilfisk-alto-shop.com](mailto:kontakt@nilfisk-alto-shop.com)



 **Heine**  
Vertriebs-GmbH

**Preisabfrage bzw. Bestellungen der Artikel im Shop unter**

**[www.nilfisk-alto-shop.com](http://www.nilfisk-alto-shop.com)**

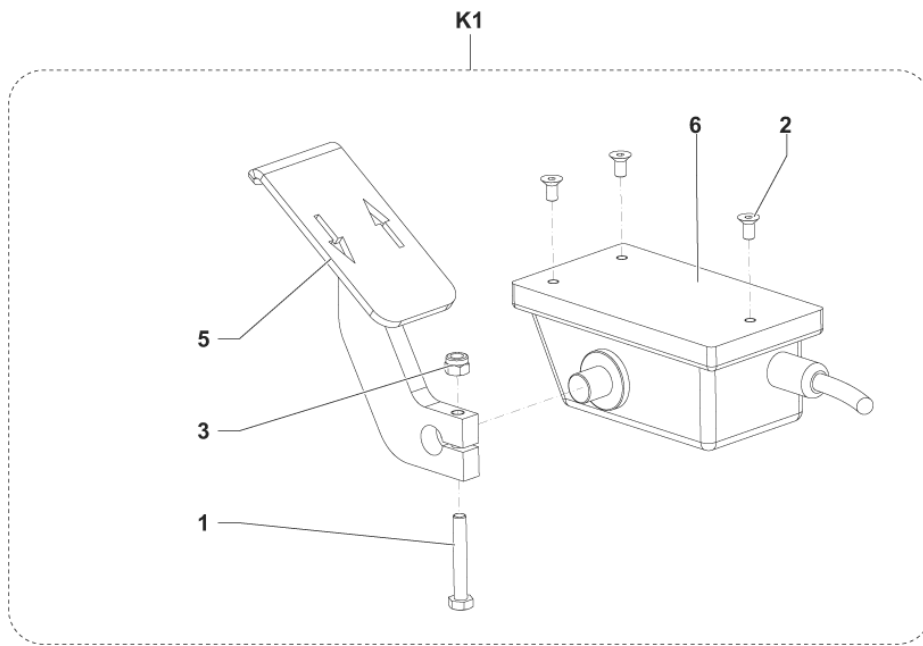
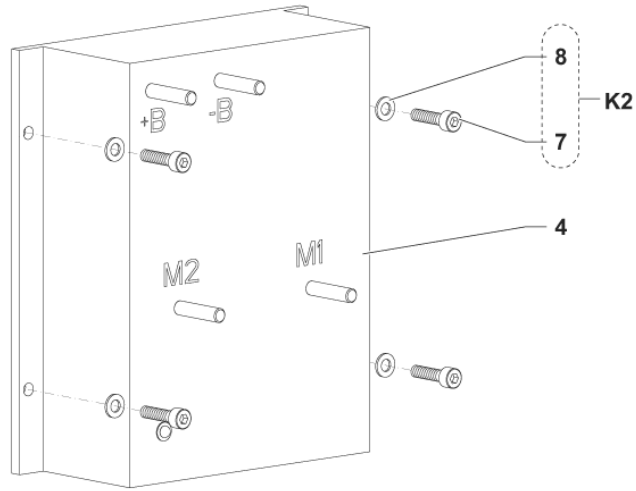
**einfach die Artikelnummer in die Suchmaske eingeben**

**(Bitte die Artikelnummer ohne Leerzeichen eingeben)**

# TABLE OF CONTENTS

---

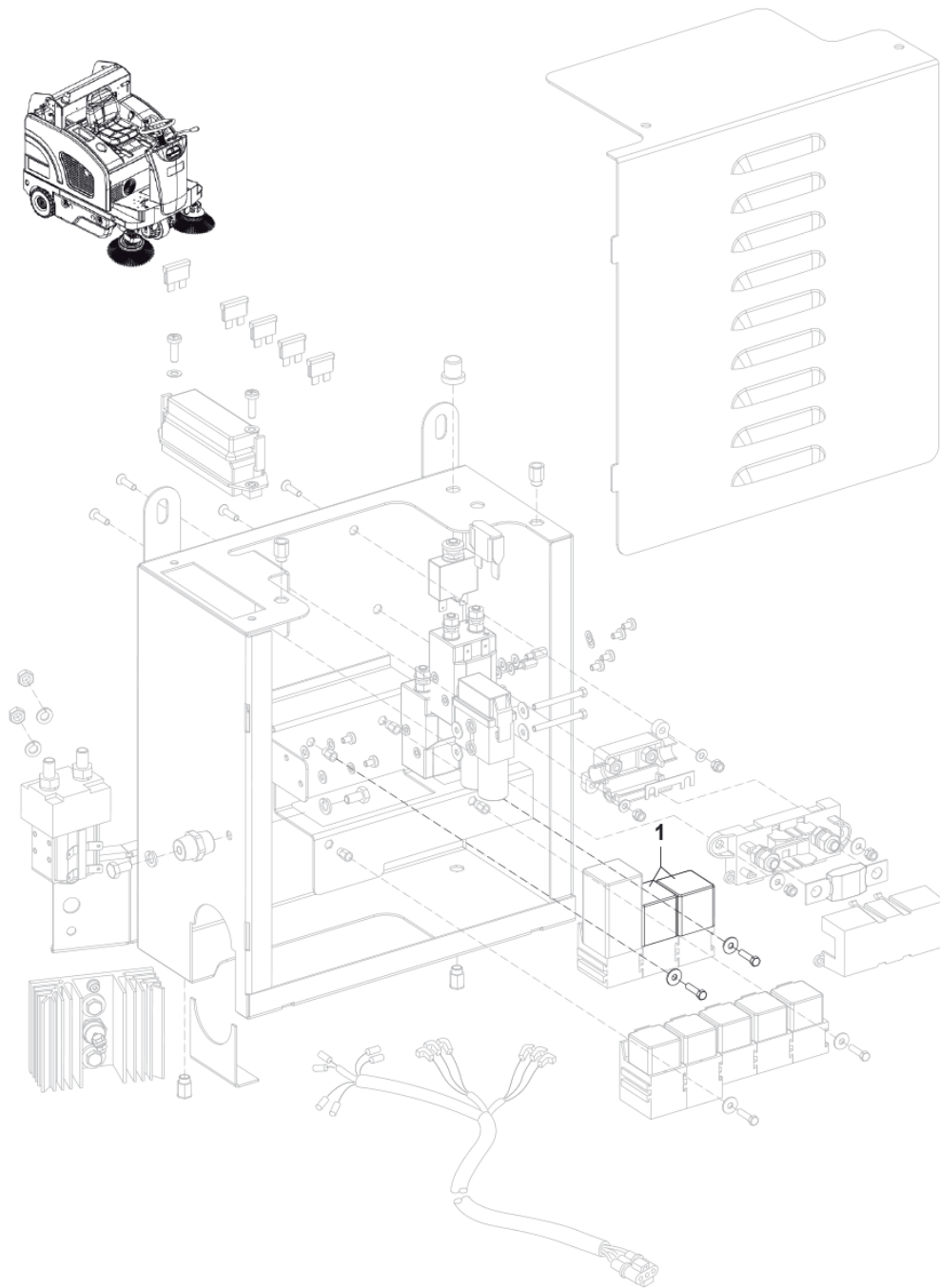
ACCELERATOR PEDAL.....	1
ELECTRIC SYSTEM - UNTIL S/N 3810162100037.....	3
ACCESSORIES 2.....	5
ACCESSORIES 4.....	7
ACCESSORIES 5.....	9
ACCESSORIES 3.....	11
BROOM CLOSING.....	13
BROOM LEVERS.....	15
CONTROL PANEL.....	17
CONTROL PANEL COVER.....	19
ELECTRIC SYSTEM.....	21
FRAME SYSTEM 1.....	23
FRAME SYSTEM 2.....	25
ELECTRIC WHEEL.....	27
ENGINE SYSTEM.....	29
EQUIPMENT LPG.....	31
EXTENSIBLE ARM.....	34
FLOOR MAT AND BEACON.....	36
FRAME 1.....	38
FRAME 2.....	40
FRONT LIFT FLAP.....	42
FUEL TANK.....	44
GENERAL VIEW.....	46
HONDA MOTOR.....	48
HOPPER SYSTEM.....	50
HYDRAULIC SYSTEM.....	52
LATERAL COVERS.....	54
LEFT BROOM.....	56
LIFTING ARMS.....	58
MAIN BROOM.....	60
MAIN BROOM ADJUSTMENT.....	62
MOTOR WHEEL.....	64
OPTIONALS AND ACCESSORIES.....	66
PANEL FILTER.....	68
PEDAL BRAKE.....	70
RECOMMENDED SPARE PARTS.....	72
RIGHT BROOM.....	76
SEAT COVER.....	78
STEERING COLUMN.....	80
VACUUM SYSTEM.....	82
WIRING DIAGRAM.....	84



Pos.	Artikel-Nr.	Menge	Variante	Notes
1		1	K1	
2		3	K1	
3		1	K1	
4	1466210000	1	CONTROLLER DRIVE WHEEL PKD	
5	1464368000	1	PEDAL THROTTLE	
6	1464425000	1	ELEKTRONISCHES GASPEDAL	
7		4	K2	
8		4	K2	
9	1466207000	1	PROGRAMMER F ELECTRONIC CARDS PKD	[1]
K1	1464922000	1	ACCELERATOR ELECTRONIC CPL KIT	
K2	1465070000	1	HARDWARE TRACTION BOARD KIT	

## Part Notes:

[1] - NOT SHOWN

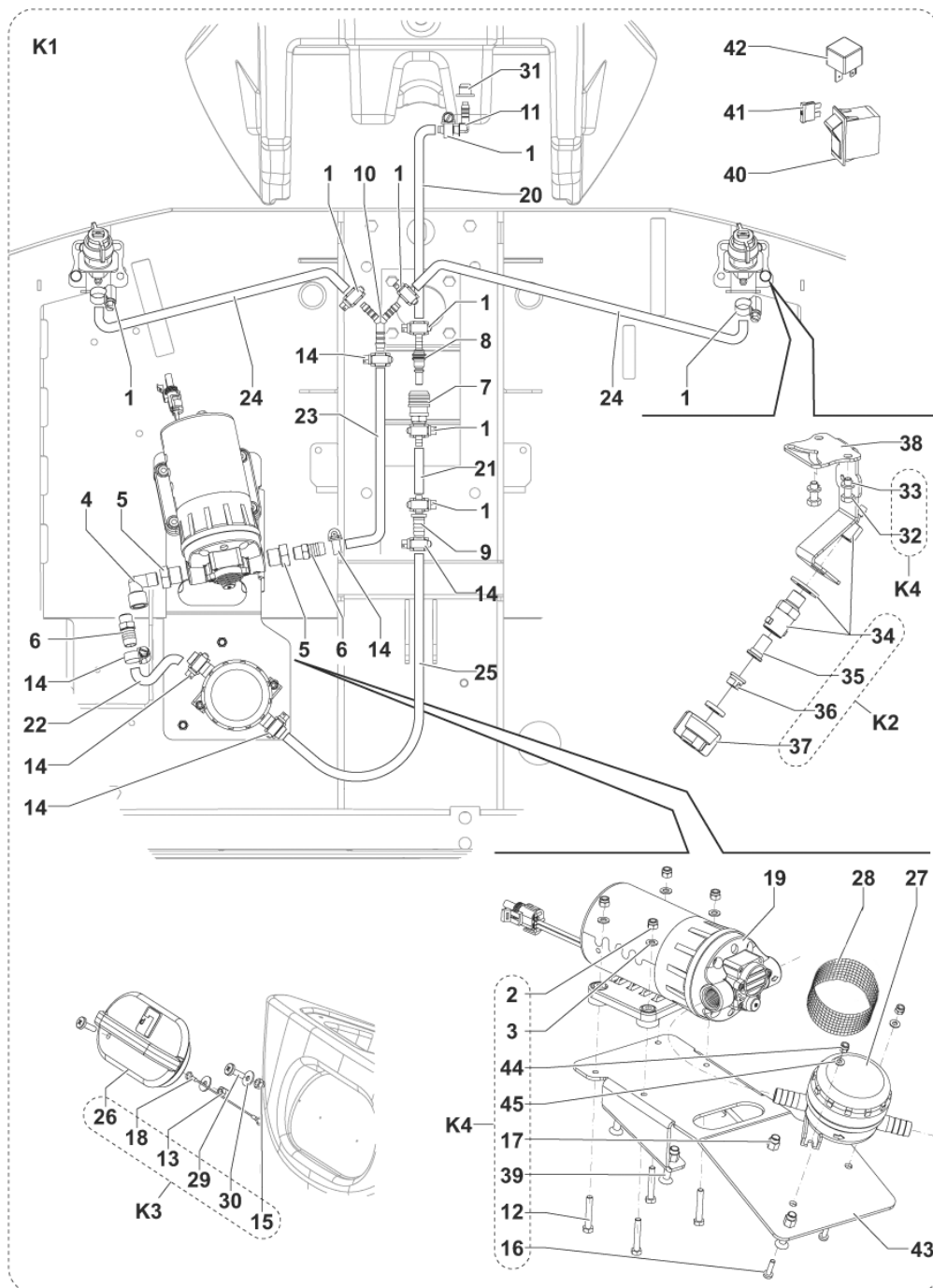


---

Pos.	Artikel-Nr.	Menge	Variante	Notes
1	1466984000	1	GEARCASE HYDRAULIC POWER SUPPLY KIT	[1]

## Part Notes:

[1] - SEE INST. INTR. 1466982000  
See TSB-FC-2017-024

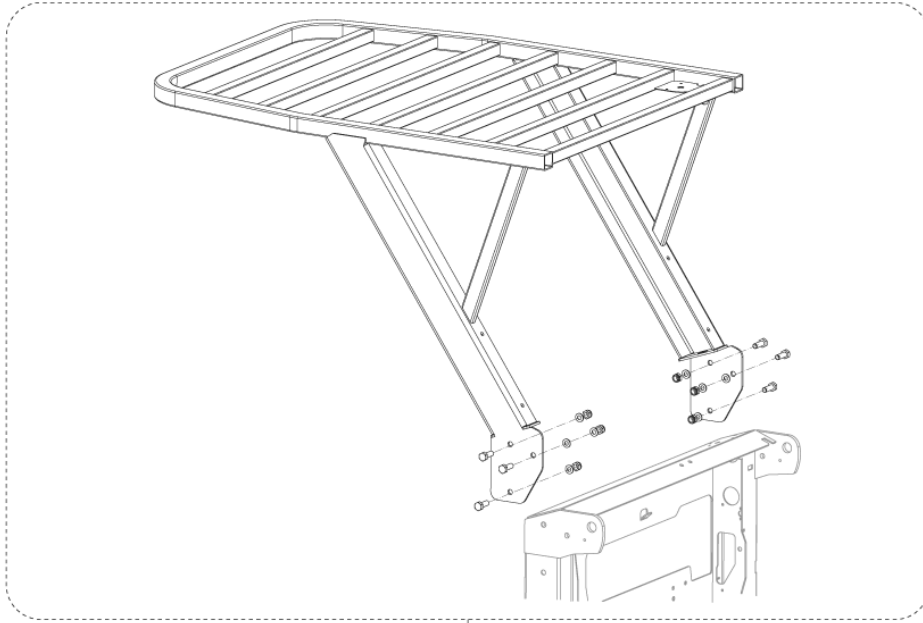




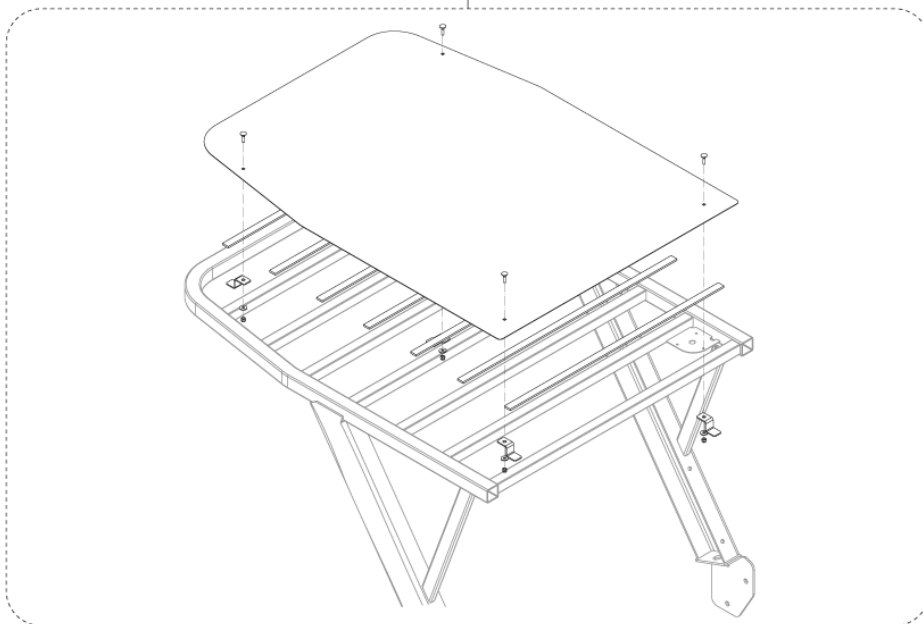
Pos.	Artikel-Nr.	Menge	Variante	Notes
1		8	K5	
2		4	K4	
3		4	K4	
4		1	K6	
5		2	K6	
6		2	K6	
7	1465915000	1	CONNECTOR FEMALE	
8	1465916000	1	CONNECTOR MALE	
9		1	K6	
10		1	K6	
11		1	K6	
12		4	K4	
13		1	K3	
14		6	K5	
15		1	K3	
16		2	K4	
17		6	K4	
18		1	K3	
19	1465647000	1	PUMP WATER KIT	
20		1	K5	
21		1	K5	
22		1	K5	
23		1	K5	
24		2	K5	
25		1	K5	
26		1	K3	
27	9100000860	1	FILTER WATER PKD	
28	9100000861	1	NET WATER FILTER REINFORCED PKD	
29		2	K3	
30		2	K3	
31		1	K6	
32		4	K4	
33		4	K4	
34	33020865	2	ADAPTER SPRAY KIT	
35	1467245000	2	Rueckschlagventil Filter	
36	1467246000	2	NOZZLE SPRAY D. 0.33 S.S. PKD	
36	1467247000	2	NOZZLE SPRAY D. 0.53 BRASS PKD	
37	1467248000	2	RING NUT QUICK COUPLING PKD	
38	1464473000	2	SUPPORT NOZZLES	
39		6	K4	
40	1465401000	1	SWITCH DUST GUARD KIT	
41	145 9852 000	1	FUSE BLADE 5A UL	
42	1464289000	1	Relais SR 1301 24V20/30A	[1]
43	1465172000	1	PLATE FOR PUMP WATER	
44		2	K4	
45		2	K4	
K1	1464953000	1	Dust-Guard-System	[2]
K2	33019324	2	Düsen Spray Kit	
K3	1465355000	1	CAP SOLUTION TANK KIT	
K4	1465356000	1	HARDWARE DUSTGUARD KIT	
K5	1465357000	1	HOSES POLYESTER DUSTGUARD KIT	[3]
K6	1465358000	1	FITTINGS AND REDUCTIONS DUST GUARD KIT	[3]

## Part Notes:

- [1] - TSB-FC-2017-024 hopper relay SW4000
- [2] - OPTIONAL - INSTALLATION INSTRUCTION REF. 1465244000
- [3] - NOT SHOWN



K1  
K2

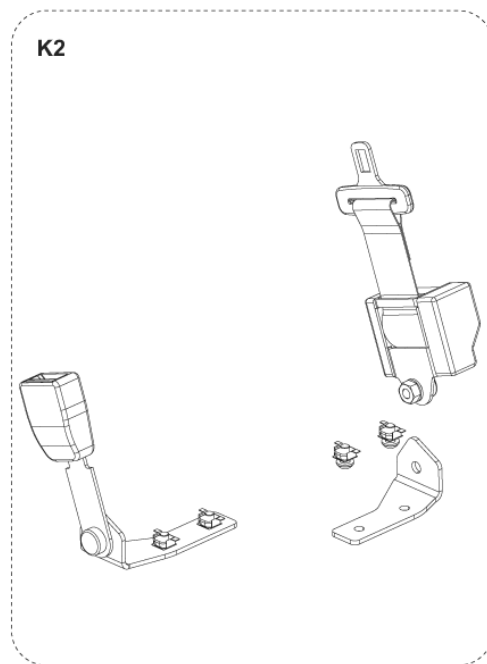
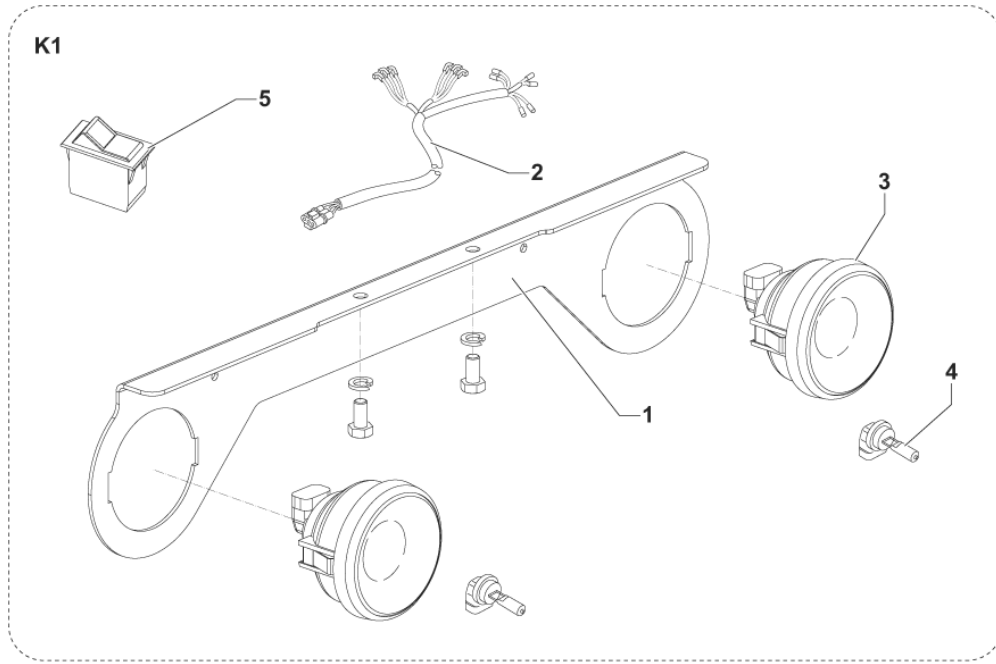


---

Pos.	Artikel-Nr.	Menge	Variante	Notes
K1	1464952000	1	Fahrerschutzdach-Set	[1]
K2	1464956000	1	Fahrerschutzdach-Set	[2]

## Part Notes:

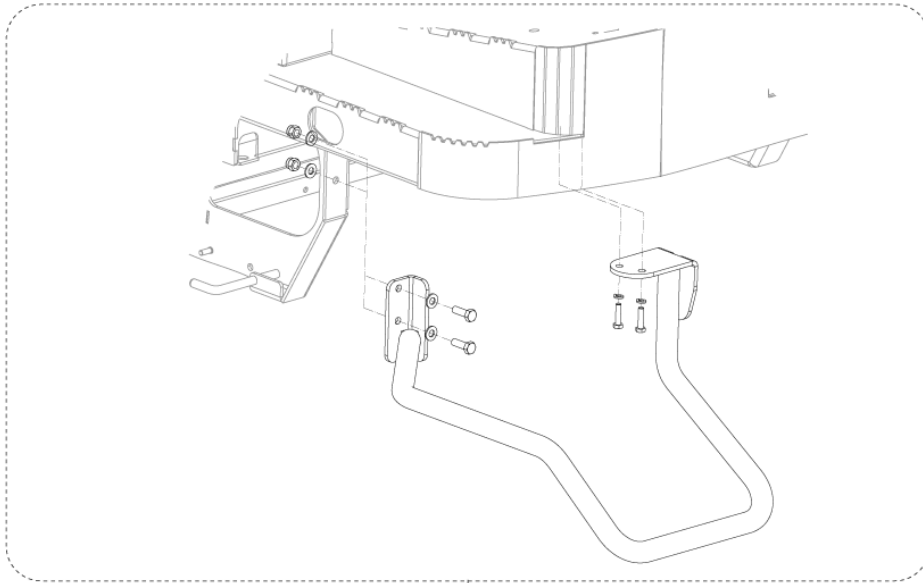
- [1] - OPTIONAL - INSTALLATION INSTRUCTIONS REF. 1465246000
- [2] - OPTIONAL - INSTALLATION INSTRUCTIONS REF. 1465247000



Pos.	Artikel-Nr.	Menge	Variante	Notes
1	1466357000	1	BRACKET FRONT LIGHT SIP	
2	1466359000	1	HARNES WORK LIGHTS SIP	
3	1466356000	2	LIGHT WORK 24V CPL SIP	
4	1466358000	2	BULB LIGHT 24V 70W H3 SIP	
5	146 1167 000	1	Schalter	
6	1466362000	1	LIGHTS FRONT UPGRADE KIT	[1]
K1	1466346000	1	Lichter-Set, vorne, 24V 70W	[2]
K1	1466347000	1	LIGHTS FRONT KIT 24V 70W SW4000 UL	[3]
K2	1464954000	1	Sicherheitsgurt-Set	[4]
K3	33019556	1	Armlehne-Set rechts	[5]
K4	1464960000	1	Armlehne-Set links	[6]

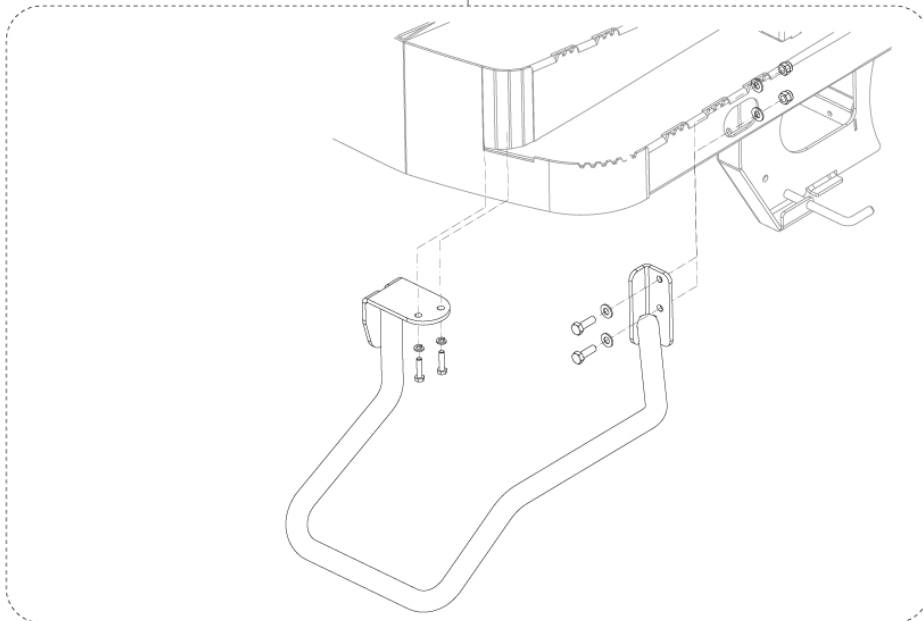
## Part Notes:

- [1] - NOT SHOWN - POS. 1-3-4
- [2] - OPTIONAL - INSTALLATION INSTRUCTION REF. 1465245000  
SEE TSB-FC-2015-013
- [3] - ONLY FOR "US" ADVANCEVERSION
- [4] - OPTIONAL - INSTALLATION INSTRUCTION REF. 1465248000
- [5] - OPTIONAL - NOT SHOWN - INSTALLATION INSTRUCTION REF. 33019211
- [6] - OPTIONAL - NOT SHOWN - INSTALLATION INSTRUCTION REF. 1465249000



K1

K2

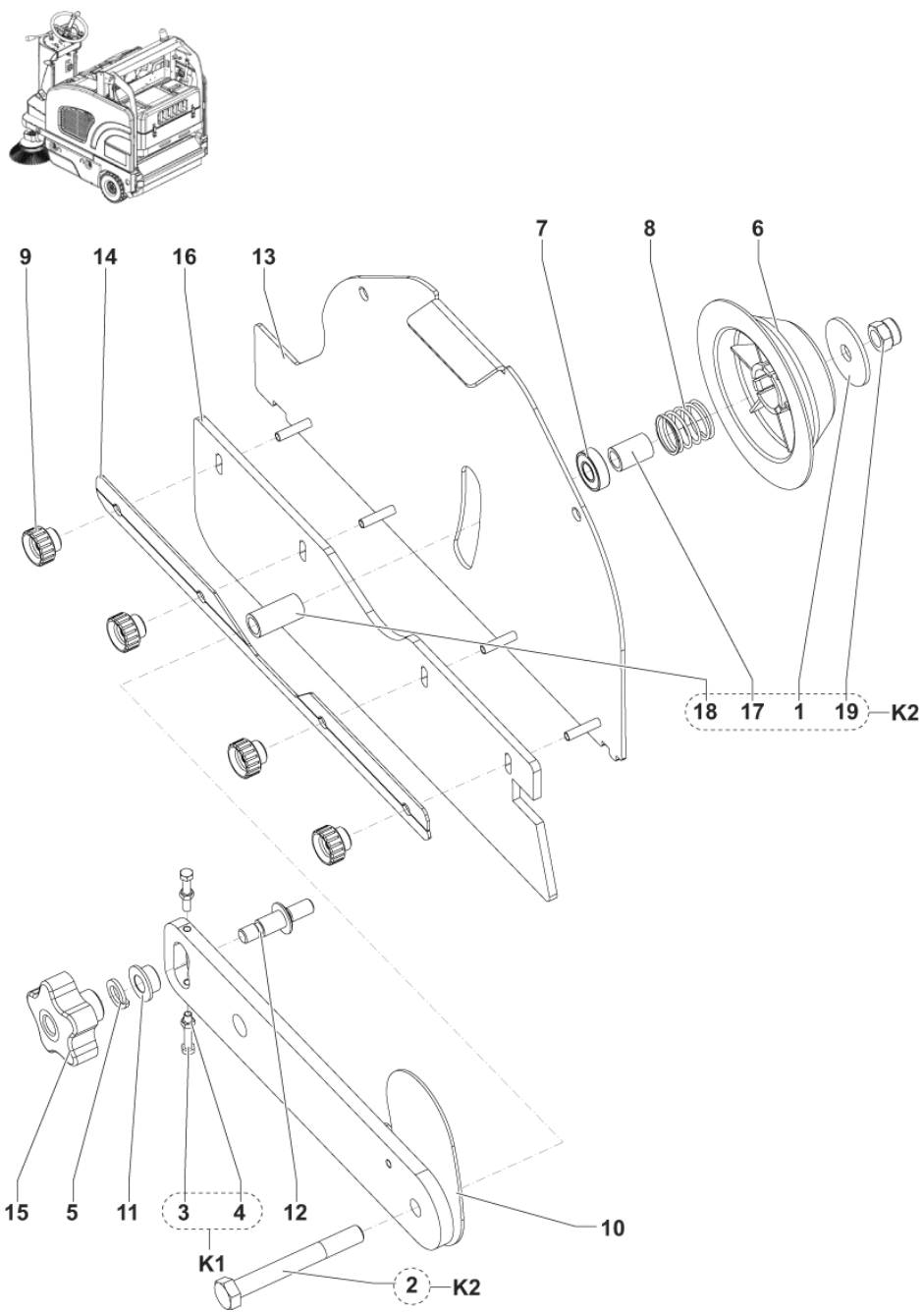


---

Pos.	Artikel-Nr.	Menge	Variante	Notes
K1	1464958000	1	Seitenbesen-Schutz-Set, rechts	[1]
K2	1464959000	1	Seitenbesen-Schutz-Set, links	[1]

## Part Notes:

[1] - OPTIONAL - INSTALLATION INSTRUCTIONS REF. 1465243000





# BROOM CLOSING

SW4000 LPG NIL

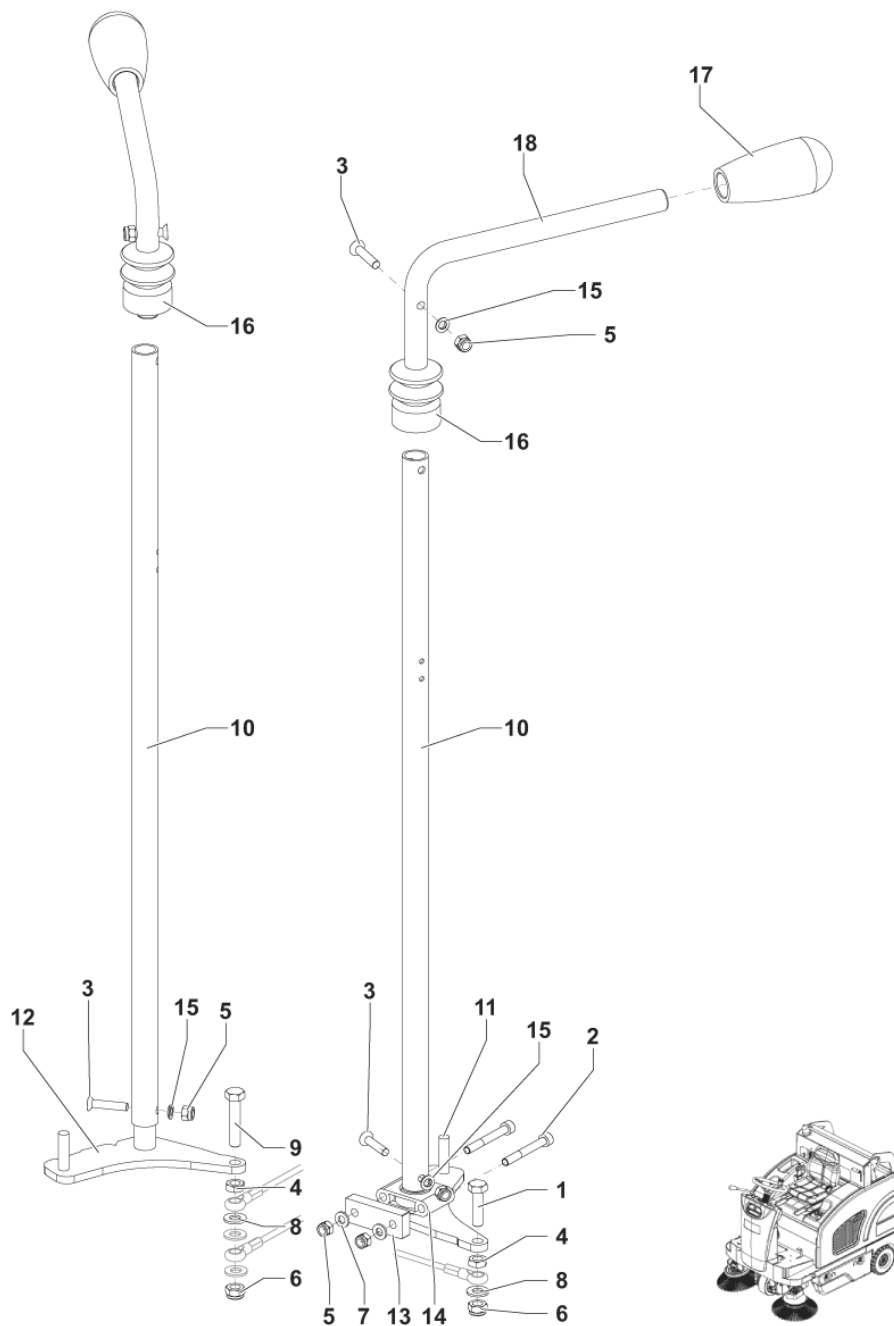
2015.05.19

2016.08.04

Pos.	Artikel-Nr.	Menge	Variante	Notes
1		1	K2	
2		1	K2	
3		2	K1	
4		2	K1	
5	33006010	1	Scheibe	
6	1467023000	1	HUB LEFT MAIN BROOM PKD	
7	44905699	1	BEARING BALL 6001 2RS PKD	
8	1467024000	1	SPRING PKD	
9	1466374000	4	KNOB KNURLED M6 FEMALE PKD	
10	1464180000	1	LEVER MAIN BROOM SUPPORT	
11	1464181000	1	BUSHING SUPPORT LEVER	
12	1464182000	1	PIN MAIN BROOM ARM	
13	1464183000	1	HATCH MAIN BROOM	
14	1464278000	1	PLATE SIDE KIRT FIXING	
15	1464476000	1	KNOB LOBES M10 F. W/YELLOW CAP	
16	1465396000	1	SCHÜRZE KOMPLETT	
16	1464951000	1	Sauglippen-Set	[1]
17		1	K2	
18		1	K2	
19		1	K2	
K1	1465057000	1	HARDWARE MAIN BROOM LEVER SUPPORT KIT	
K2	1465058000	1	HARDWARE MAIN BROOM IDLE HUB KIT	

## Part Notes:

[1] - OPTIONAL



# BROOM LEVERS

SW4000 LPG NIL

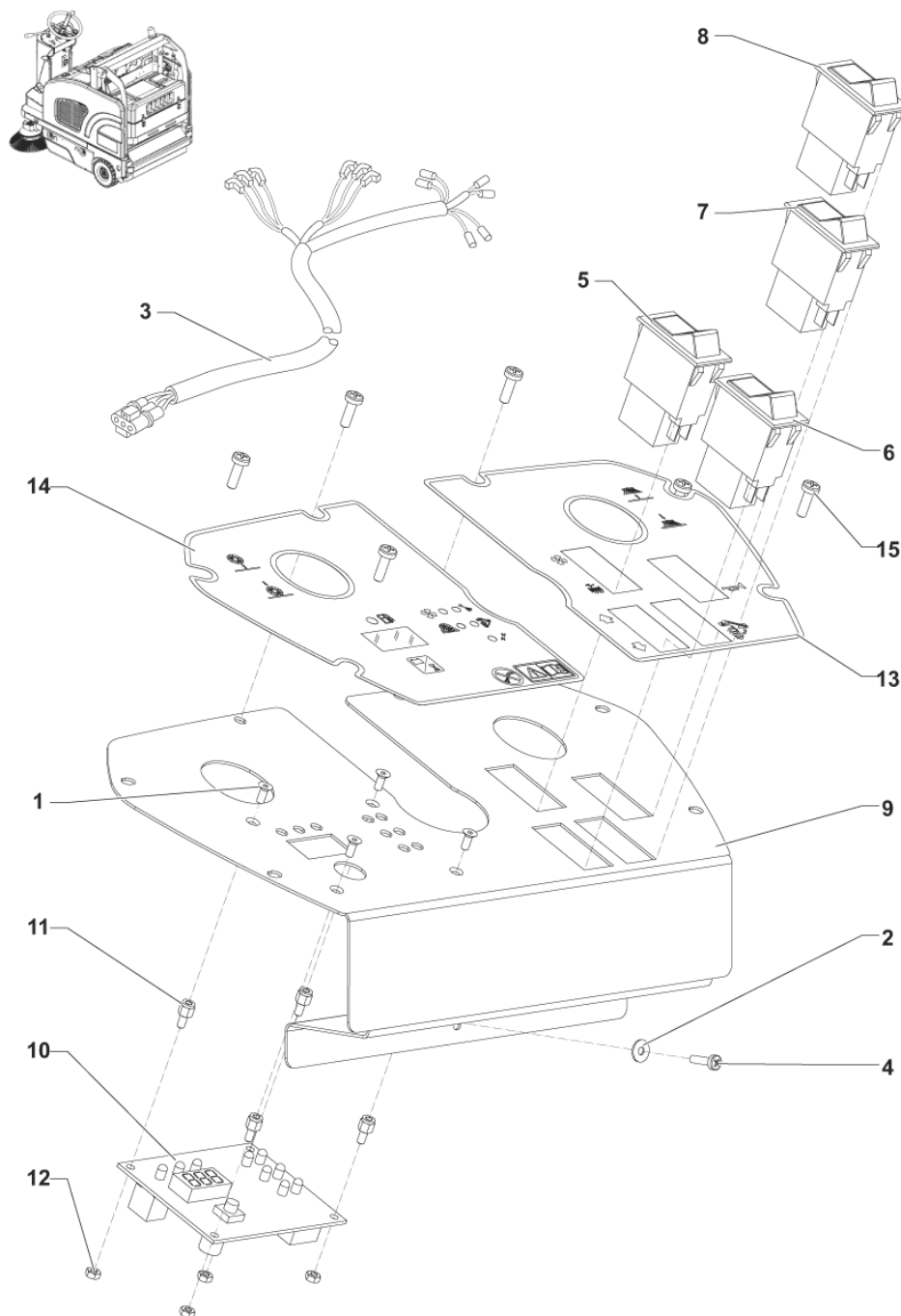
2015.05.19

2015.05.14

Pos.	Artikel-Nr.	Menge	Variante	Notes
1		1	K1	
2		2	K1	
3		4	K1	
4		2	K1	
5		6	K1	
6		2	K1	
7		2	K1	
8		2	K1	
9		1	K1	
10	1464174000	2	PIPE LEVER EXTENSION	
11	1464175000	1	LEVER MAIN BROOM	
12	1464176000	1	LEVER SIDE BROOM	
13	1465090000	1	PLATE FOR ARTICULATED SUPPORT	
14	1465091000	1	BEARING PILLOW BLOCK	
15		4	K1	
16	146 2456 000	2	Gummibalg	
17	1464151000	2	HANDLE LEVER	
18	1464177000	2	LEVER BROOM CONTROL	
K1	1464820000	1	HARDWARE BROOM LEVERS KIT	[1]

## Part Notes:

[1] - NOT SHOWN



# CONTROL PANEL

SW4000 LPG NIL

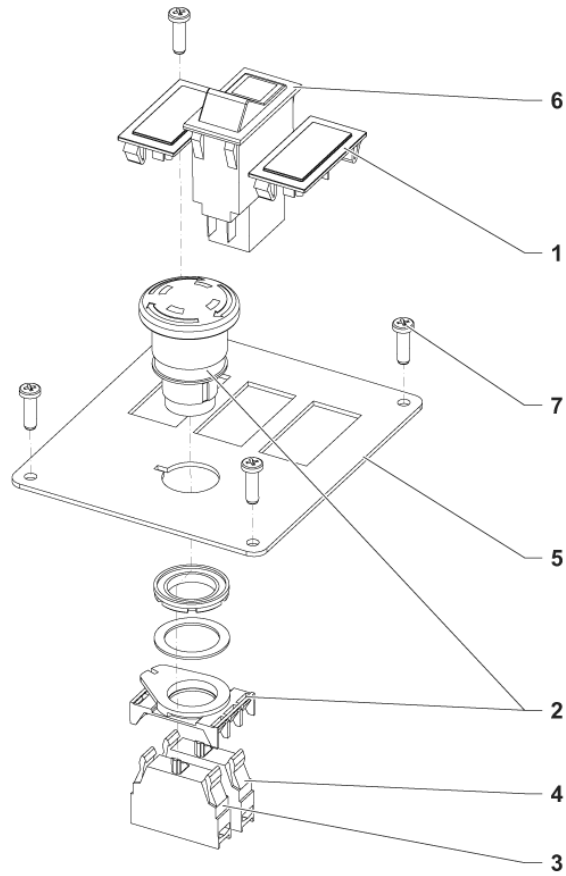
2015.05.19

2017.06.13

Pos.	Artikel-Nr.	Menge	Variante	Notes
1		4	K1	
2		1	K1	
3	1464340000	1	HARNES CONTROL PANEL	
4		1	K1	
5	146 0846 000	1	Schalter f. SR1300H B	
6	1465400000	1	SWITCH FW RW KIT	
7	1465399000	1	SWITCH HOPPER LEAD KIT	
8	146 0845 000	1	Schalter	
9	1464179000	1	PANEL CONTROL	
10	1466211000	1	CARD ELECTRONIC CONTROL PANEL PKD	
11		4	K1	
12		4	K1	
13	1464611000	1	DECAL CONTROL PANEL RT	
14	1464613000	1	DECAL CONTROL PANEL LT	
15		6	K1	
K1	1465072000	1	HARDWARE FOR DISPLAY BOARD KIT	[1]

Part Notes:

[1] - NOT SHOWN



# CONTROL PANEL COVER

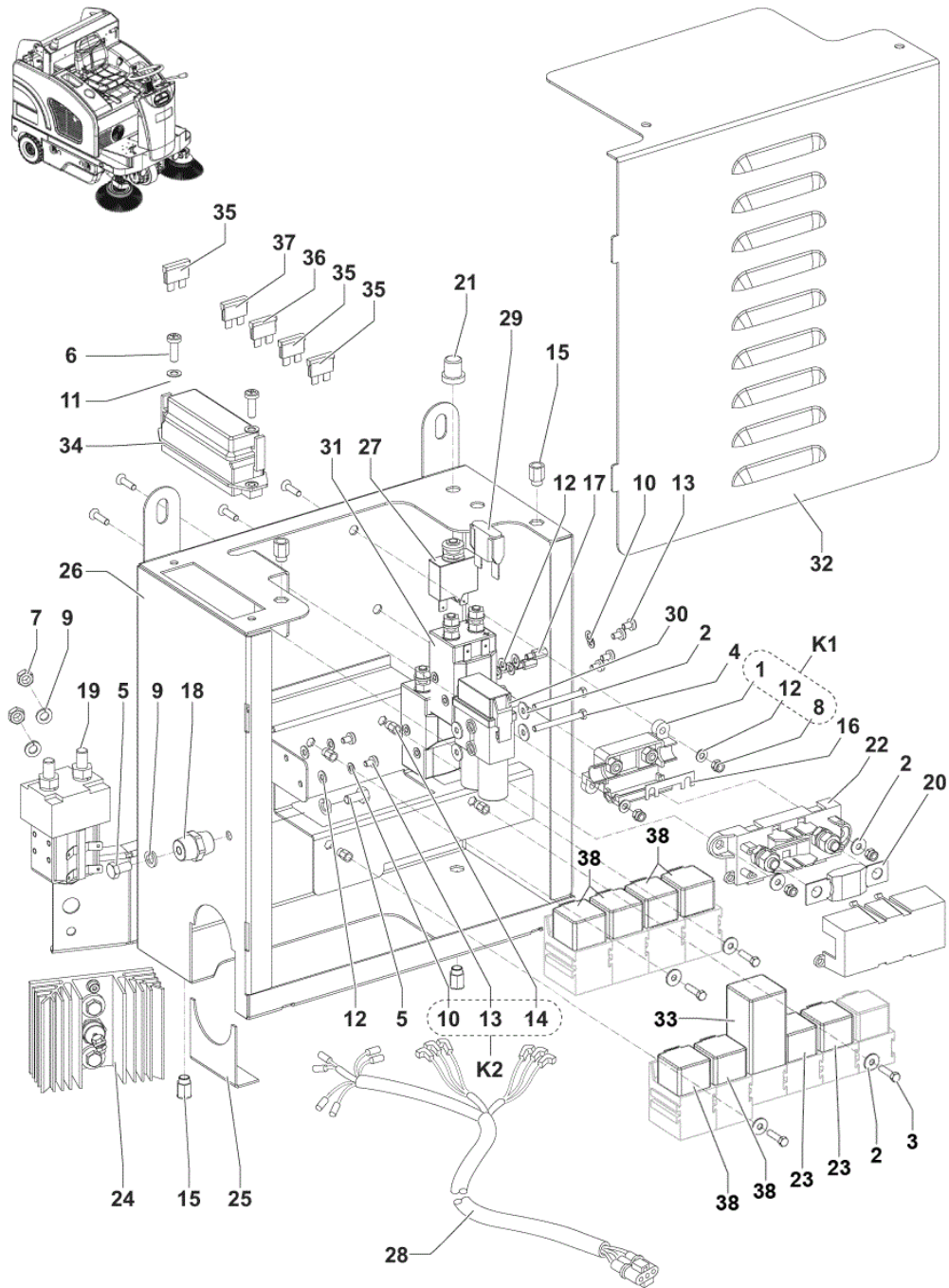
SW4000 LPG NIL

2015.05.19

2017.01.30

---

<b>Pos.</b>	<b>Artikel-Nr.</b>	<b>Menge</b>	<b>Variante</b>	<b>Notes</b>
1	146 1284 000	2	Abdeckkappe	
2	1466683000	1	Sicherheitsschalter	
3	146 1728 000	1	Kontakt	
4	146 1730 000	1	Kontakt NA	
5	1464411000	1	PLATE EMERGENCY SWITCH	
6	1465398000	1	SWITCH HOPPER RAISING KIT	
7	1465072000	4	HARDWARE FOR DISPLAY BOARD KIT	

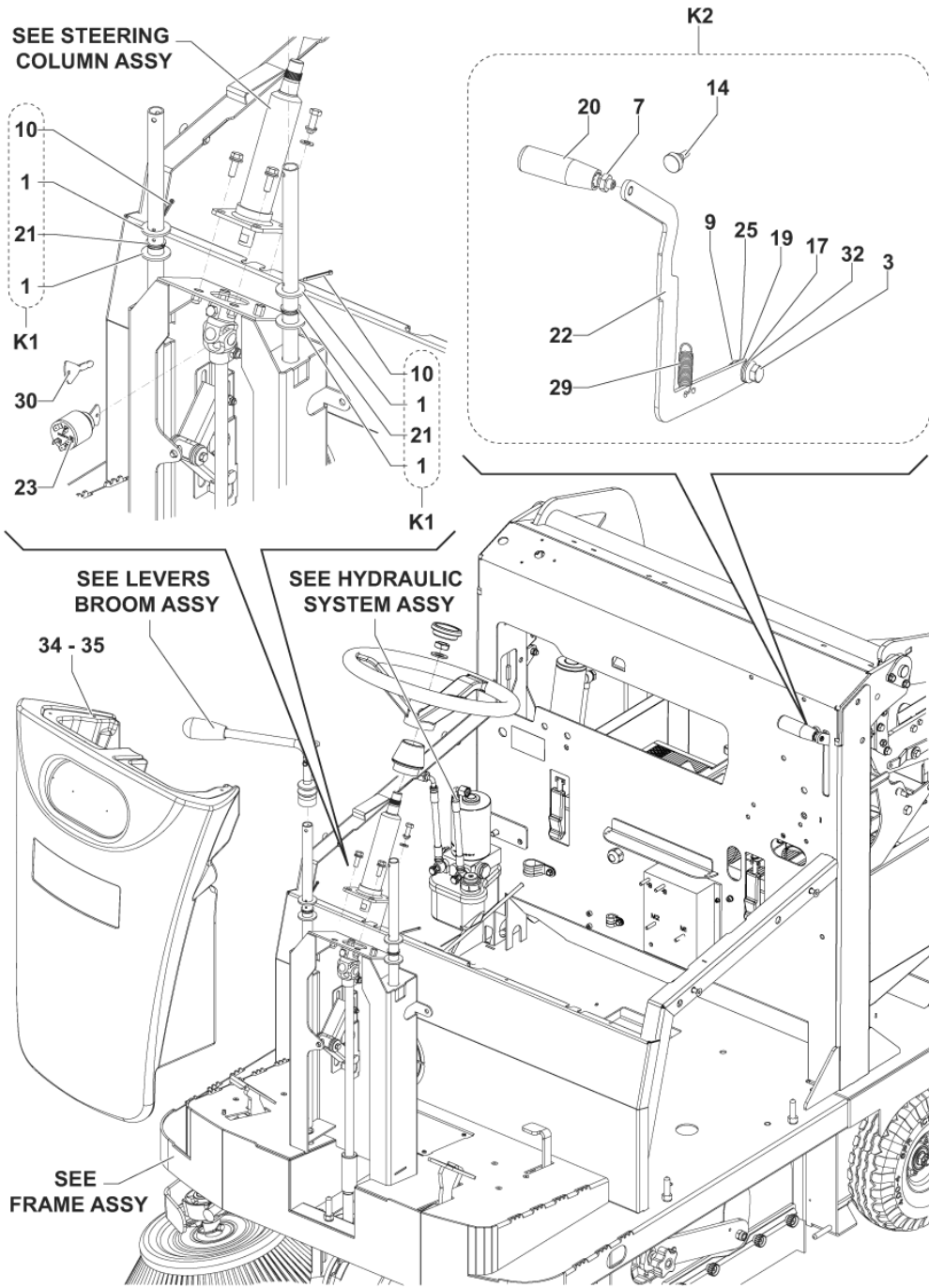




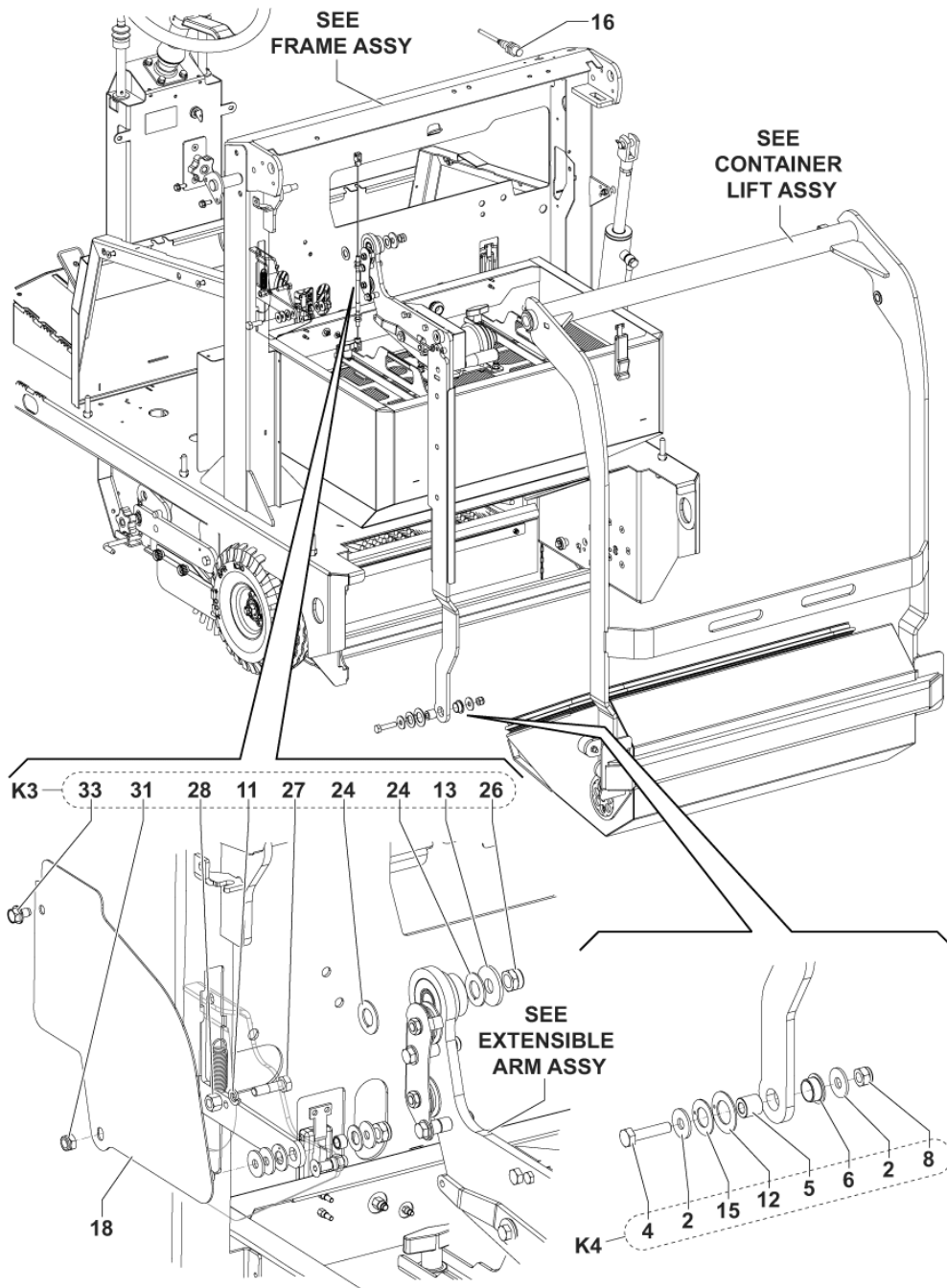
Pos.	Artikel-Nr.	Menge	Variante	Notes
1		1	K1	
2		8	K3	
3		4	K3	
4		2	K3	
5		2	K3	
6		2	K3	
7		2	K3	
8		4	K1	
9		4	K3	
10		6	K2	
11		2	K3	
12		12	K1	
13		6	K2	
14		6	K2	
15		4	K3	
16	145 9854 000	1	Sicherung 50A	
17		4	K3	
18	146 0708 000	1	Isolator weiß M6	
19	1464982000	1	SWITCH ELECTROMAGNETIC 24V 120A	
20	146 0840 000	1	Sicherung 150A	
21	146 0841 000	1	Sicherung	
22	146 1169 000	1	Sicherungshalter	
23	1464289000	2	Relais SR 1301 24V20/30A	
24	1466171000	1	CARD DIODE PKD	
25	1463923000	1	PLATE CLOSURE	
26	1466974000	1	BOX ELECTRIC METAL BLACK SIP	
27	1464336000	1	Sicherungsautomat 15A	
28		1	K3	
29	1464345000	1	FUSE BLADE 80A	
30	1464418000	1	FUSE HOLDER MAXI 80A LITTELFUSE	
31	9097208000	2	Relais	
32	1467600000	1	COVER ELECTRIC BOX MET. BLACK	
33	33019774	1	TIMER FOR SOLENOID VALVE	
34	146 1170 000	1	Sicherungsschalter SR1301	
35	145 8513 000	3	FUSE BLADE 30A UL	
36	9100000878	1	FUSE BLADE 3A PKD	
37	1467034000	1	FUSE BLADE 10A PKD	
38	909 6622 000	6	Relais 24 V 40 A	
39	1466984000	1	GEARCASE HYDRAULIC POWER SUPPLY KIT	[1]
K1	1465073000	1	HOLDER FUSE KIT	
K2	1465074000	1	HARDWARE CONTACTOR KIT	
K3	1466978000	1	BOX ELECTRIC CPL ENGINE VERSION SIP	[2]

## Part Notes:

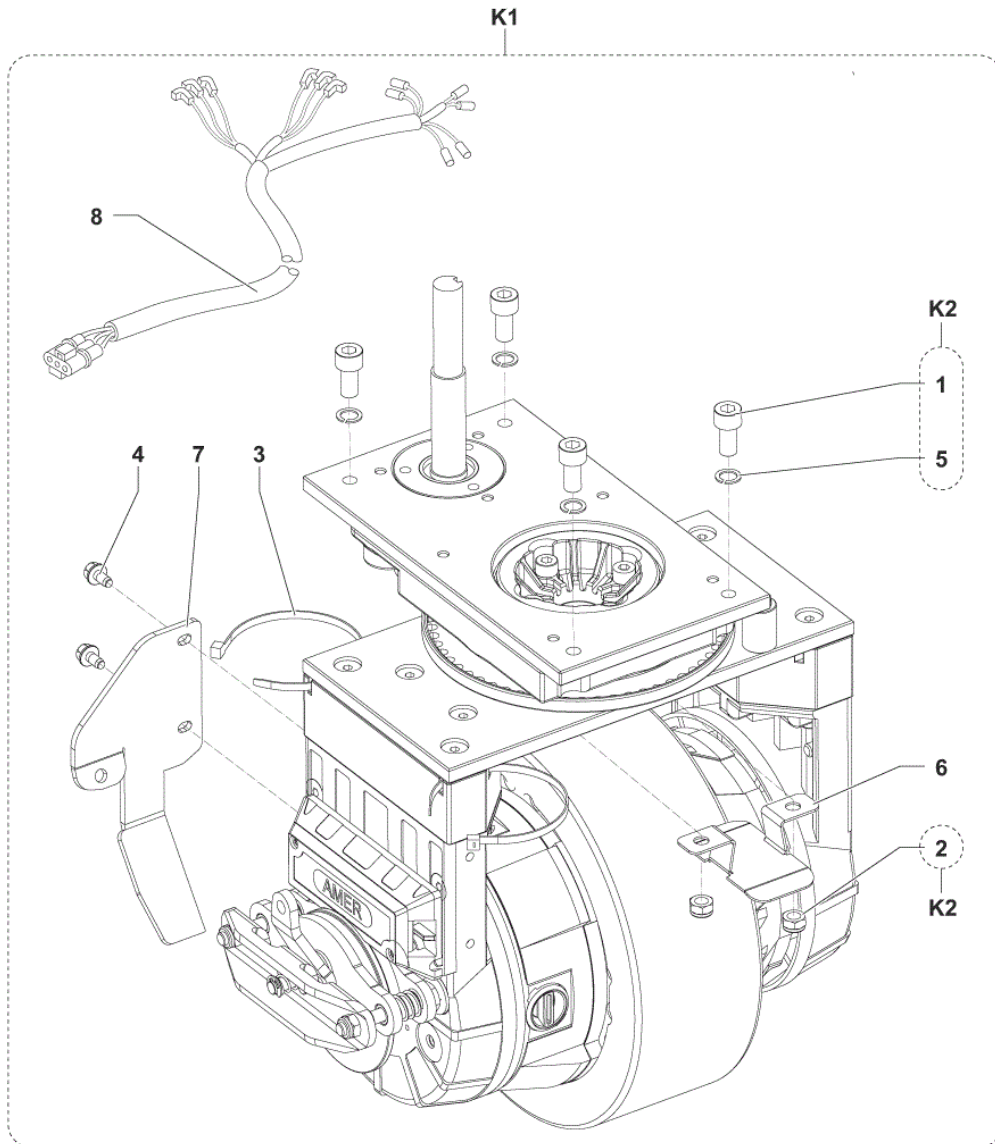
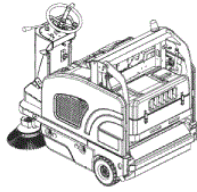
- [1] - NOT SHOWN - SEE INST. INSTR. 1466982000  
[2] - NOT SHOWN



Pos.	Artikel-Nr.	Menge	Variante	Notes
1		4	K1	
2		2	K4	
3		1	K2	
4		1	K4	
5		1	K4	
6		1	K4	
7		1	K2	
8		1	K4	
9		1	K2	
10		4	K1	
11		1	K3	
12		1	K4	
13		1	K3	
14		1	K2	
15		1	K4	
16	1467062000	1	SWITCH BACK UP PROXIMITY PKD	
17		1	K2	
18	1465286000	1	COVER	
19		1	K2	
20		1	K2	
21		3	K1	
22		1	K2	
23	33020442	1	Schlüsselschalter	
24		2	K3	
25		1	K2	
26		1	K3	
27		1	K3	
28		1	K3	
29	1467039000	1	SPRING TRACTION CARBON STEEL SIP	
30	1467014000	1	KEY F STARTER SWITCH 2 PCS SET	
31		1	K3	
32		3	K2	
33		1	K3	
34	1464178000	1	COVER FRONT	
35	1464598000	1	TANK WATER	
K1	1465031000	1	HARDWARE LEVERS BROOM KIT	
K2	1464915000	1	LEVER FOR HOPPER RELEASE KIT	
K3	1465034000	1	HARDWARE RELEASE MAIN LEVER KIT	
K4	1465035000	1	HARDWARE FOR TELESCOPIC ARM KIT	



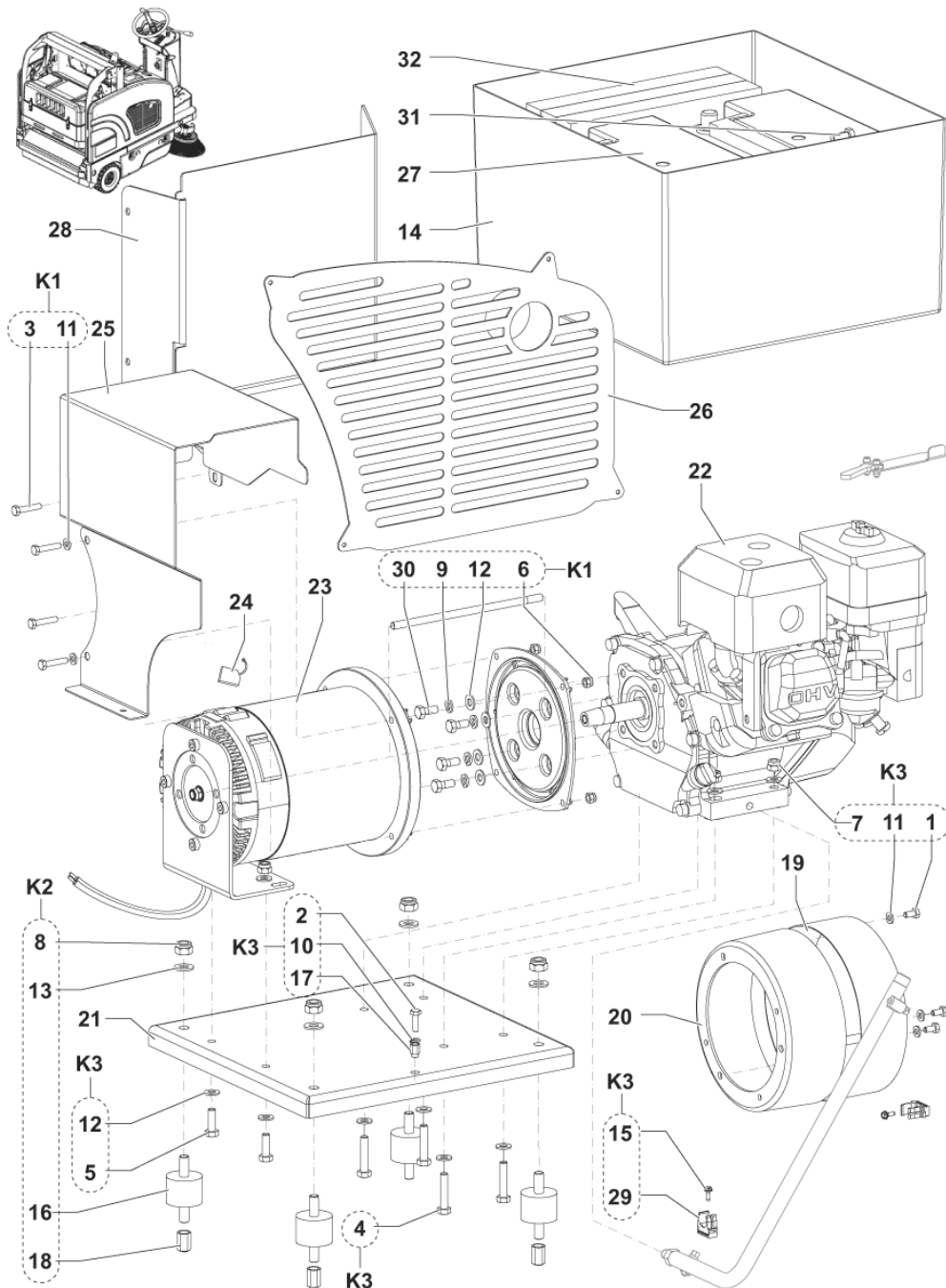
Pos.	Artikel-Nr.	Menge	Variante	Notes
1		4	K1	
2		2	K4	
3		1	K2	
4		1	K4	
5		1	K4	
6		1	K4	
7		1	K2	
8		1	K4	
9		1	K2	
10		4	K1	
11		1	K3	
12		1	K4	
13		1	K3	
14		1	K2	
15		1	K4	
16	1467062000	1	SWITCH BACK UP PROXIMITY PKD	
17		1	K2	
18	1465286000	1	COVER	
19		1	K2	
20		1	K2	
21		3	K1	
22		1	K2	
23	33020442	1	Schlüsselschalter	
24		2	K3	
25		1	K2	
26		1	K3	
27		1	K3	
28		1	K3	
29	1467039000	1	SPRING TRACTION CARBON STEEL SIP	
30	1467014000	1	KEY F STARTER SWITCH 2 PCS SET	
31		1	K3	
32		3	K2	
33		1	K3	
34	1464178000	1	COVER FRONT	
35	1464598000	1	TANK WATER	
K1	1465031000	1	HARDWARE LEVERS BROOM KIT	
K2	1464915000	1	LEVER FOR HOPPER RELEASE KIT	
K3	1465034000	1	HARDWARE RELEASE MAIN LEVER KIT	
K4	1465035000	1	HARDWARE FOR TELESCOPIC ARM KIT	



Pos.	Artikel-Nr.	Menge	Variante	Notes
1		4	K2	
2		2	K2	
3		6	K1	
4		2	K1	
5		4	K2	
6	1464600000	1	CASING TRACTION WHEEL HARNESS PROTECTION	
7	1465342000	1	BRACKET BRAKE CABLE	
8	1467455000	1	HARNESS TRACTION WHEEL KIT	
K1	1464913000	1	ANTRIEBSRAD KOMPLETT	
K1	1465170000	1	WHEEL TRACTION NON MARKING KIT	[1]
K2	1465045000	1	HARDWARE STEERING SYSTEM FIXING KIT	

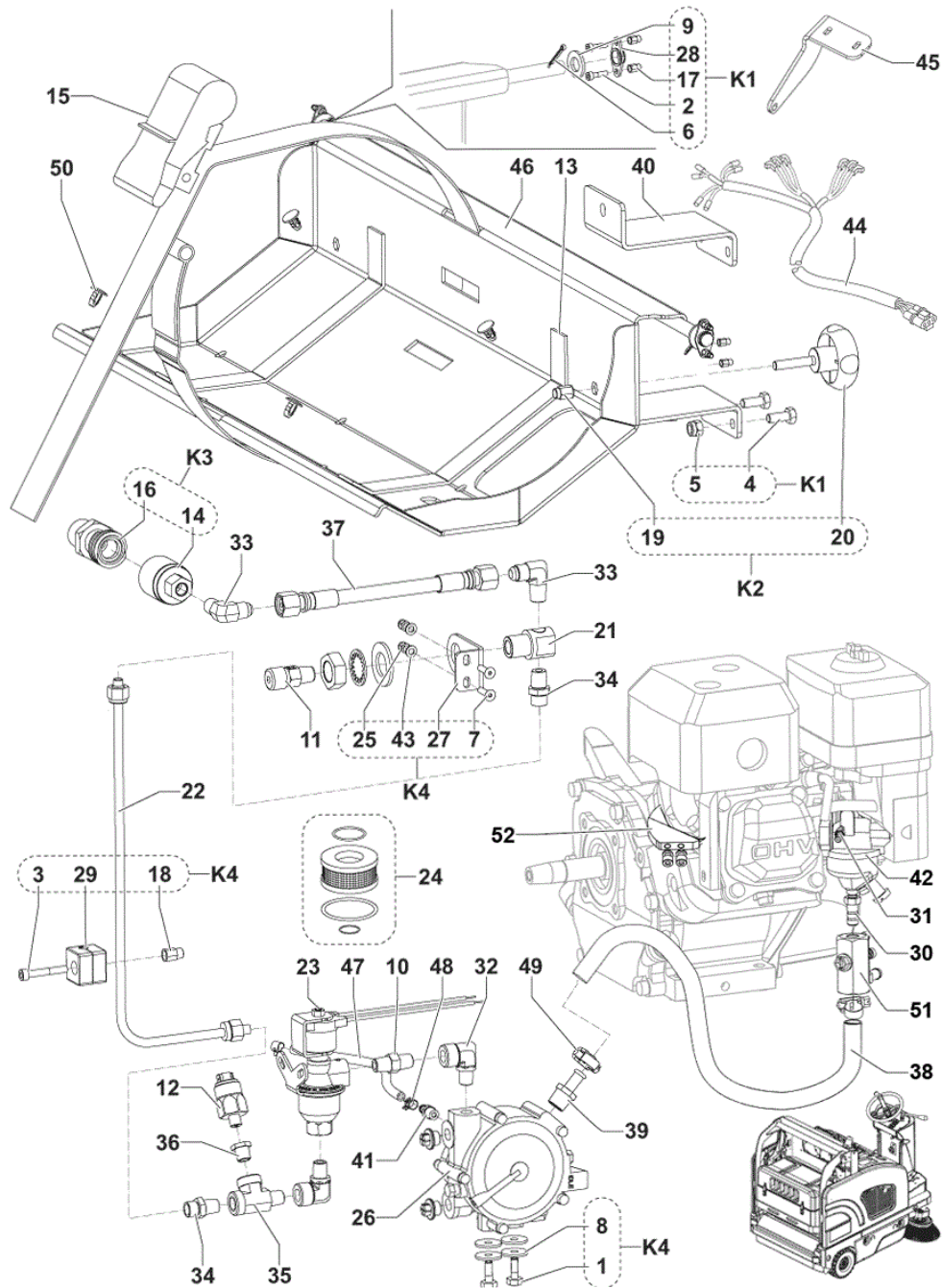
## Part Notes:

[1] - OPTIONAL





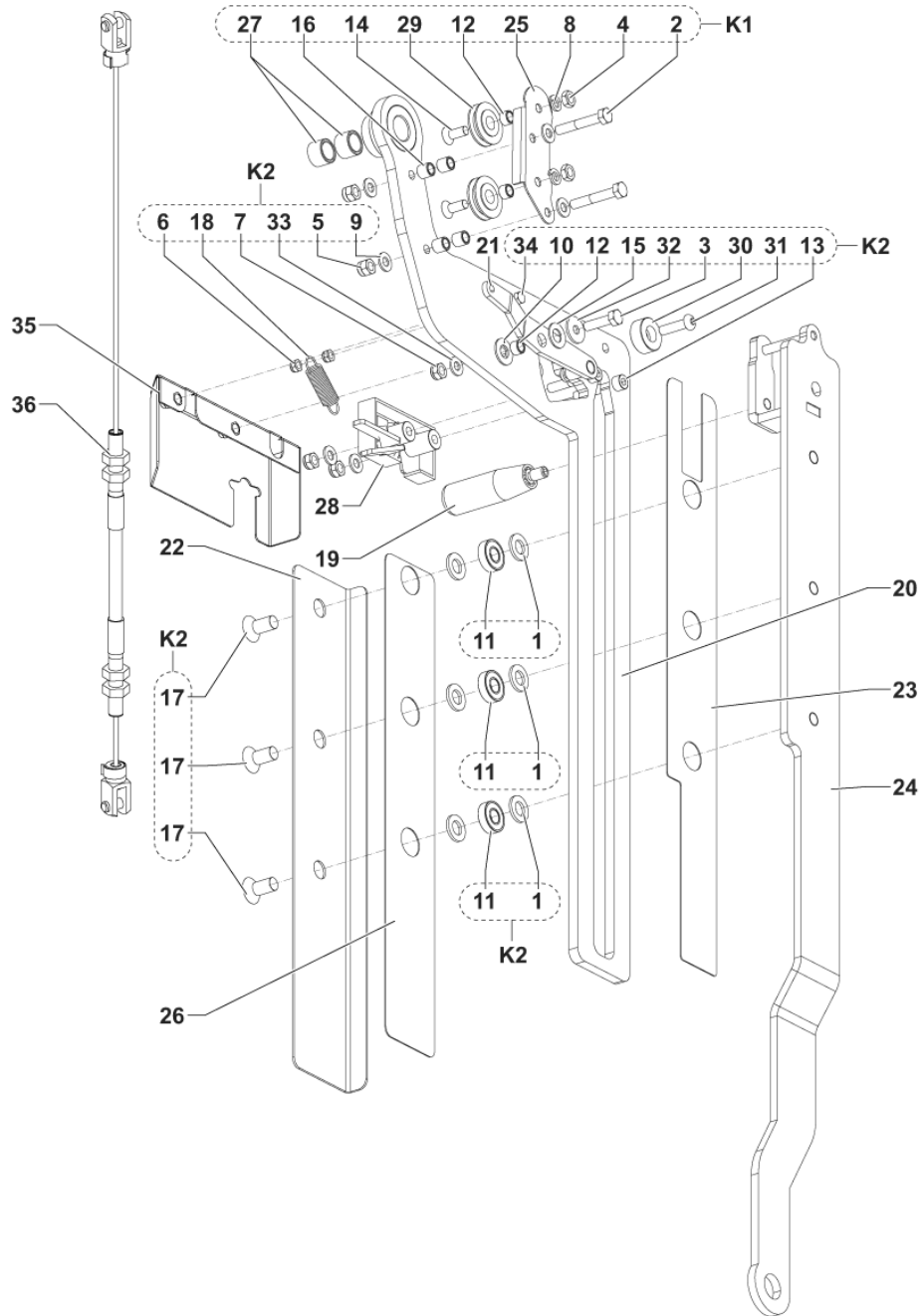
Pos.	Artikel-Nr.	Menge	Variante	Notes
1		3	K3	
2		1	K3	
3		4	K1	
4		4	K3	
5		2	K3	
6		4	K1	
7		6	K3	
8		4	K2	
9		4	K1	
10		1	K3	
11		5	K1-K3	
12		16	K1	
13		4	K2	
14	146 1684 000	1	Batteriebehälter	
15		2	K3	
16		4	K2	
17		1	K3	
18		4	K2	
19	146 2543 000	1	Pedalarm	
20	1463339000	1	CONVEYOR AIR	
21	1463918000	1	SUPPORT ENGINE	
22	1463919000	1	ENGINE PETROL HONDA GX 200 UT2 VSD9 OH	
22	1464972000	1	ENGINE GX200UT LPG KIT	
23	1467472000	1	DYNAMOTOR MP135 1400W PKD	
24	1464433000	1	Kohlebürsten-Kit (4St.)	
25	1467414000	1	DEFLECTOR HONDA ENGINE SIP	
26	1464244000	1	GRILLE ENGINE VENTILATION	
27	1467085000	2	BATTERY START 12V 77 AH PKD	
28	1464536000	1	CASING ELECTRONIC CARD PROTECTION	
29		2	K3	
30		4	K1	
31	33005444	1	Schraube M8x20 verzinkt	
32	146 0668 000	3	Isolierplatte	
K1	1465352000	1	HARDWARE FIXING DINAMOTOR KIT	
K2	1465353000	1	VIBRATION DAMPING KIT	
K3	1465354000	1	HARDWARE ENGINE KIT	



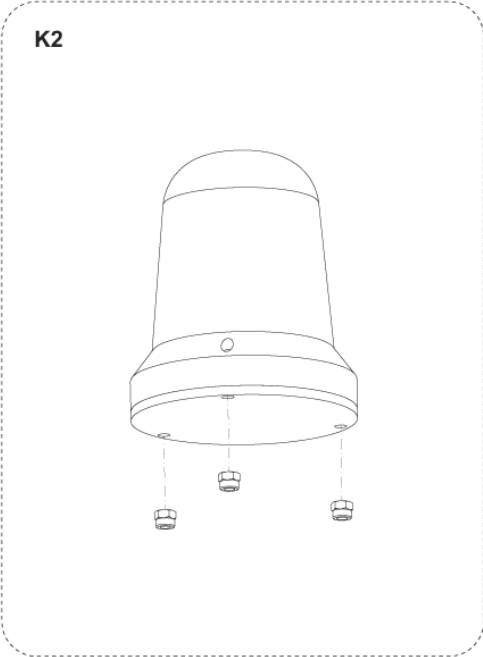
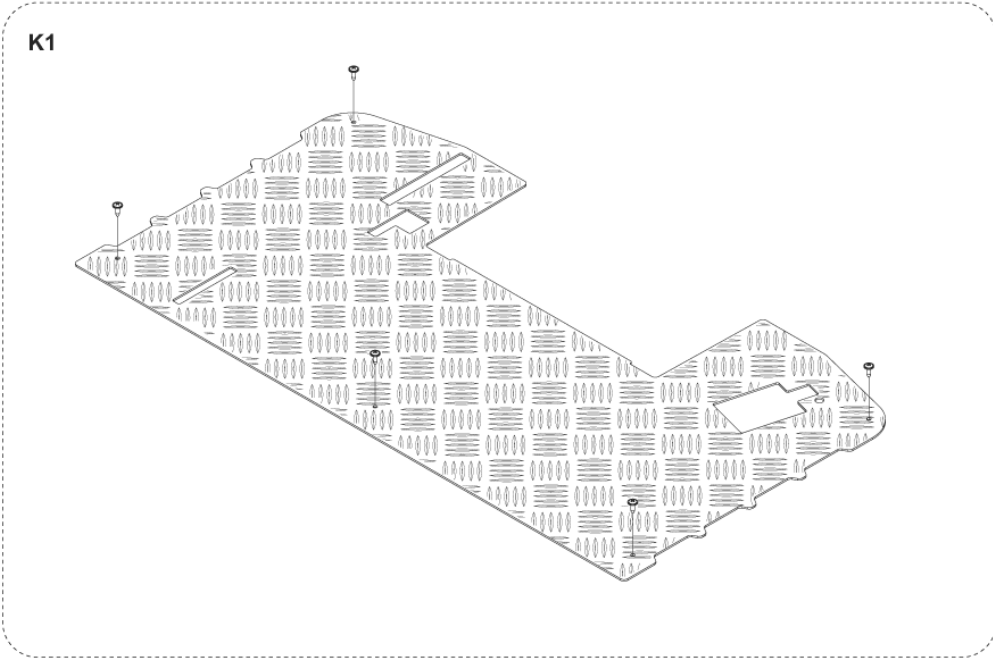
Pos.	Artikel-Nr.	Menge	Variante	Notes
1		2	K4	
2		6	K1	
3		1	K4	
4		2	K1	
5		2	K1	
6		2	K1	
7		2	K4	
8		4	K4	
9		2	K1	
10	33019296	1	NIPPLE M-M 1/4 NPT	
11	1467063000	1	VALVE SECURITY 400PSI SIP	
12	33022290	1	SWITCH PRESSURE 1.1 BAR PKD	
13	1464984000	2	RUBBER ANTI-SKID FOR CYLINDER	
14		1	K3	
15	1467064000	1	BAND POLYESTER W/RACKET SIP	
16		1	K3	
17		6	K1	
18		1	K4	
19		1	K2	
20		1	K2	
21	1463840000	1	FITTING 1/4 A-A-A NPT	[1]
22	1463841000	1	PIPE D.8MM GALVANIZED F LPG	
23	1465633000	1	SOLENOID VALVE LPG/CNG 12V 8W KIT	
24	1466778000	1	REPAIR SOLENOID VALVE LPG SIP	
25		2	K4	
26	1467051000	1	REGULATOR LPG T60 SIP	
27		1	K4	
28		2	K1	
29		1	K4	
30	1464604000	1	HOLDER RUBBER CENTRAL F CARBURETTOR LPG	[2]
31	1464605000	1	HOLDER RUBBER LATERAL F CARBURETTOR LPG	[2]
32	1464606000	2	ELBOW 90 1/4 NPT F X 1/4 NPT M	
33	33019847	2	FITTING MM 1/4NPT-7/16JIC	
34	1464608000	2	FITTING MALE STUD 1/4 NPT M - 8L	[1]
35	1467049000	1	FITTING T F-F-M 1/4 NPT SIP	
36	1467050000	1	REDUCTION M1/4 - F1/8 NPT SIP	
37	1467068000	1	HOSE LPG L.400MM SIP	
38	1464645000	1	HOSE FLEXIBLE LPG 3/8 L.300MM SIP	
39	1467052000	1	HOLDER RUBBER D.10 3/8 NPT M SIP	
40	1464846000	1	BRACKET LPG TANK SUPPORT	
41	1467053000	1	HOLDER RUBBER D.6 1/8 NPT SIP	
42	1465397000	1	CARBURETTOR LPG KIT	[2]
42	1467421000	1	CARBURETTOR LPG KIT	[3]
44	1464973000	1	HARNES LPG SYSTEM	
45	1465123000	1	BRACKET FOR CYLINDER SUPPORT	
46	1464267000	1	SUPPORT LIQUID GAS CYLINDER	
47	33023464	1	HOSE FUEL D.4.8X10.3 L.650MM KIT	
48	1464861000	2	CLAMP SPRING D 9.5MM	
49	33023593	1	CLAMP HOSE 8-16/9 DIN3017 2 PCS SET	
50	1465594000	4	CAP SNAP	
51	1466933000	1	SETTING F LPG FEEDING KIT	[4]
52	1467415000	1	SPACER F MUFFLER KIT	[5]
52	1467416000		GASKETS MUFFLER 2 PCS SET	[6]
K1	1465348000	1	SUPPORT LPG FIXING	
K2	1465349000	1	KNOB KIT	
K3	1465350000	1	ADAPTER F LPG TANK KIT	
K4	1465351000	1	HARDWARE LPG SYSTEM KIT	
K5	1465974000	1	HOSES LPG GERMAN MARKET KIT	[7]

Part Notes:

- [1] - NOT FOR SALE VIA EDC
- [2] - UNTILS/N3810171500005
- [3] - STARTING S/N3810171500006  
SEE TSB .....
- [4] - STARTING FROM S/N3810171500006  
SEE TSB .....
- [5] - STARTING FROM S/N3810171500006  
SEE TSB .....
- [6] - STARTING FROM S/N3810171500006  
SEE TSB .....
- [7] - NOT SHOWN - INSTALLATION INSTRUCTIONS REF. 1465973000



Pos.	Artikel-Nr.	Menge	Variante	Notes
1		6	K2	
2		2	K1	
3		1	K2	
4		2	K1	
5		2	K2	
6		2	K2	
7		4	K2	
8		2	K1	
9		7	K2	
10		1	K2	
11	44905699	3	BEARING BALL 6001 2RS PKD	
12		3	K1-K2	
13		2	K2	
14		2	K1	
15		1	K2	
16		4	K1	
17		3	K2	
18	1467039000	1	SPRING TRACTION CARBON STEEL SIP	
19	1464792000	1	HANDLE REVOLVING	
20	1465261000	1	ARM GUIDE	
21	1465262000	1	LEVER FOR LOCK RELEASE	
22	1465266000	1	PROTECTION EXTERNAL	
23	1465268000	1	PLATE PLASTIC ANTIABRASIVE	
24	1465269000	1	ARM TELESCOPIC	
25		1	K1	
26	1465276000	1	PLATE PLASTIC ANTIABRASIVE	
27	1465281000	2	BEARING SLEEVE IGLIDUR MSM-1622-15	
28	1465282000	1	LATCH SLAM	
29	1465288000	2	PULLEY	
30	1465289000	1	SPACER PLASTIC	
31		1	K2	
32		1	K2	
33		1	K2	
34		1	K2	
35	1465388000	1	PROTECTION FOR LATCH KIT	
36	1465273000	1	CABLE LOCK RELEASE	
K1	1465032000	1	LEVER CONTAINER RELEASE FIXING KIT	
K2	1465033000	1	LEVER PIVOT FIXING KIT	



# FLOOR MAT AND BEACON

SW4000 LPG NIL

2015.05.19

2014.01.09

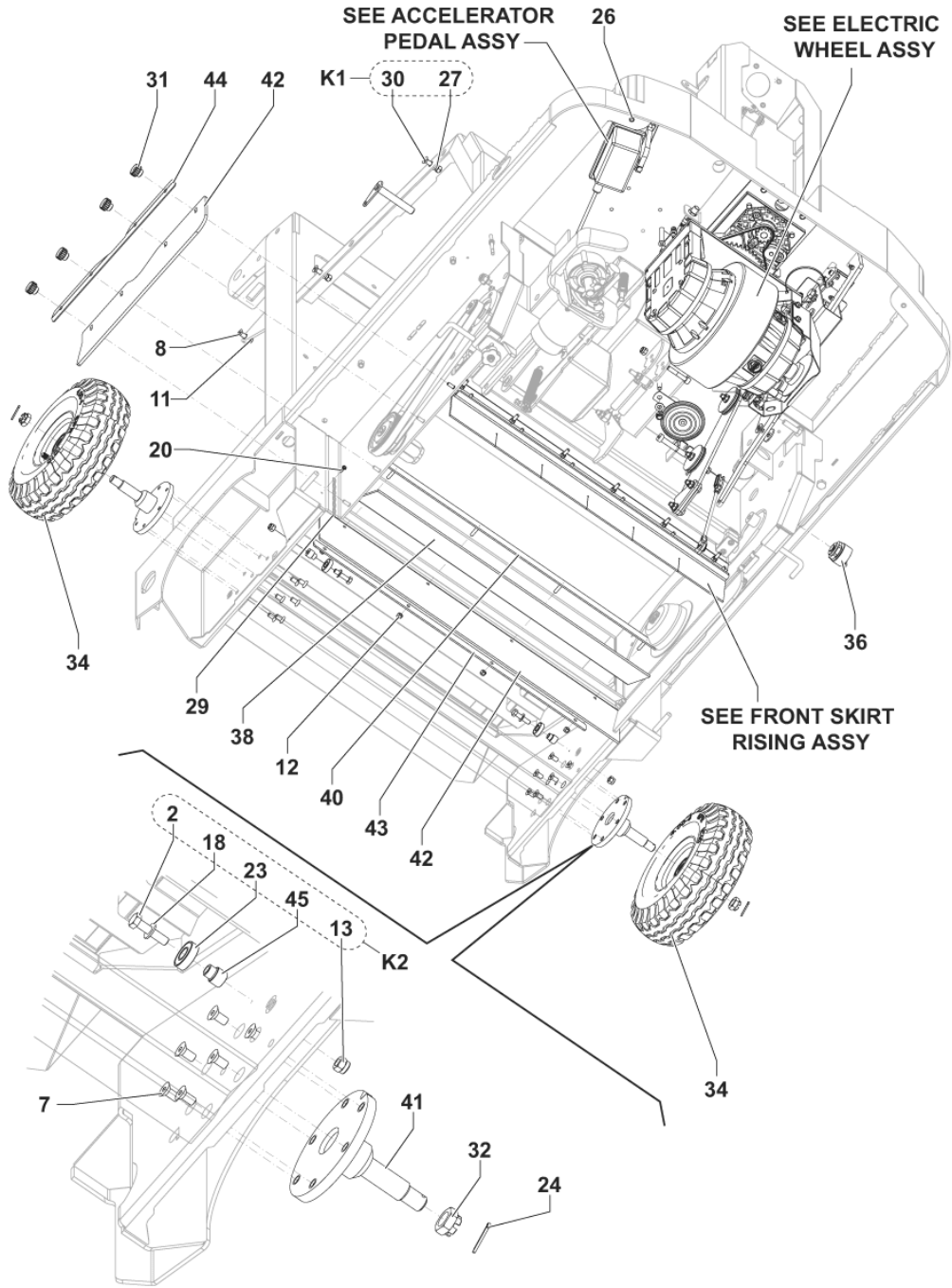
---

Pos.	Artikel-Nr.	Menge	Variante	Notes
K1	1464957000	1	Fußboden Matte	[1]
K2	1464948000	1	Warnleuchte	[2]

Part Notes:

- [1] - OPTIONAL
- [2] - OPTIONAL - INSTALLATION INSTRUCTION REF. 1465248000





Pos.	Artikel-Nr.	Menge	Variante	Notes
1		1	K5	
2		2	K2	
3		1	K5	
4		7	K3	
5		1	K4	
6	33004370	1	SCREW M8X45 CAP HD HEX SOCK ISO4762	
7	33004590	12	SCREW M8X16 C/SUNK FLAT HD HEX ISO10642	
8	33004593	2	SCREW M8X25 C/SUNK FLAT HD HEX ISO10642	
9		1	K4	
10		7	K3	
11		6	K1	
12	33023469	1	NUT LOCK HEX M6 ISO7040 10 PCS SET	
13		5	K2	
14		1	K5	
15	33023667	1	NUT LOCK HEX M6 LOW ISO10511 5 PCS SET	
16		7	K3	
17	33023396	1	WASHER PLAIN M6X12 ISO7089 10 PCS SET	
18		6	K2	
19		2	K5	
20		1	K1	
21		7	K3	
22	1467062000	2	SWITCH BACK UP PROXIMITY PKD	
23		2	K2	
24	33005791	2	PIN SPLIT 4X45 UNI1336	
25		18	K4	
26	145 4772 000	12	Beilagscheibe M6	
27		16	K1	
28	1467032000	1	HORN 24V SIP	
29	146 0611 000	1	Kette	
30		4	K1	
31	1466374000	4	KNOB KNURLED M6 FEMALE PKD	
32	1464841000	3	NUT HEX M16 CASTLE LOW DIN937	
33		1	K1	
34	1463985000	2	WHEEL FOAM FILLED 4.00-4	
34	1464876000	2	WHEEL FOAM FILLED 4.00-4 NO MARKING	[1]
34	146 1876 000	2	Frontrad	[1]
34	146 0329 000	2	Antriebsrad, vorne, n. mark.	[1]
34	1465312000	1	Schaumgefülltes Räder-Set, hinten, n. ma	[1]
35	1464847000	2	SPACER 6.2x14x60	
36	909 6126 000	1	Warnton	
37	1464469000	1	COVER	
38	1464275000	1	SKIRT REAR RECYCLE	
39	1463931000	2	LEVER BROOM DOOR FIXING	
40	1464276000	1	PLATE REAR SKIRT FIXING	
41	1464171000	2	SUPPORT REAR WHEEL	
42	1465396000	1	SCHÜRZE KOMPLETT	
42	1464951000	1	Sauglippen-Set	[1]
43	1464277000	1	PLATE REAR SKIRT	
44	1464278000	1	PLATE SIDE KIRT FIXING	
45		2	K2	
K1	1465036000	1	HARDWARE FOR SIDE COVER KIT	
K2	1465037000	1	PIN HOPPER BEARING KIT	
K3	1465038000	1	HARDWARE FOR PIVOT LATERAL COVER KIT	
K4	1465039000	1	HARDWARE FOR ACCELERATOR ADJUSTMENT KIT	
K5	1465040000	1	HARDWARE FRONT FLAP KIT	

## Part Notes:

[1] - OPTIONAL



Pos.	Artikel-Nr.	Menge	Variante	Notes
1		1	K2	
2		2	K5	
3		1	K2	
4		7	K3	
5		1	K4	
6	33004370	1	SCREW M8X45 CAP HD HEX SOCK ISO4762	
7	33004590	12	SCREW M8X16 C/SUNK FLAT HD HEX ISO10642	
8	33004593	2	SCREW M8X25 C/SUNK FLAT HD HEX ISO10642	
9		1	K4	
10		7	K3	
11		6	K1	
12	33023469	1	NUT LOCK HEX M6 ISO7040 10 PCS SET	
13		5	K2	
14		1	K5	
15	33023667	1	NUT LOCK HEX M6 LOW ISO10511 5 PCS SET	
16		7	K3	
17	33023396	1	WASHER PLAIN M6X12 ISO7089 10 PCS SET	
18		6	K2	
19		2	K5	
20		1	K1	
21		7	K3	
22	1467062000	2	SWITCH BACK UP PROXIMITY PKD	
23		2	K2	
24	33005791	2	PIN SPLIT 4X45 UNI1336	
25		18	K4	
26	145 4772 000	12	Beilagscheibe M6	
27		16	K1	
28	1467032000	1	HORN 24V SIP	
29	146 0611 000	1	Kette	
30		4	K1	
31	1466374000	4	KNOB KNURLED M6 FEMALE PKD	
32	1464841000	3	NUT HEX M16 CASTLE LOW DIN937	
33		1	K1	
34	1463985000	2	WHEEL FOAM FILLED 4.00-4	
34	1464876000	2	WHEEL FOAM FILLED 4.00-4 NO MARKING	[1]
34	146 1876 000	2	Frontrad	[1]
34	146 0329 000	2	Antriebsrad, vorne, n. mark.	[1]
34	1465312000	1	Schaumgefülltes Räder-Set, hinten, n. ma	[1]
35	1464847000	2	SPACER 6.2x14x60	
36	909 6126 000	1	Warnton	
37	1464469000	1	COVER	
38	1464275000	1	SKIRT REAR RECYCLE	
39	1463931000	2	LEVER BROOM DOOR FIXING	
40	1464276000	1	PLATE REAR SKIRT FIXING	
41	1464171000	2	SUPPORT REAR WHEEL	
42	1465396000	1	SCHÜRZE KOMPLETT	
42	1464951000	1	Sauglippen-Set	[1]
43	1464277000	1	PLATE REAR SKIRT	
44	1464278000	1	PLATE SIDE KIRT FIXING	
45		2	K2	
K1	1465036000	1	HARDWARE FOR SIDE COVER KIT	
K2	1465037000	1	PIN HOPPER BEARING KIT	
K3	1465038000	1	HARDWARE FOR PIVOT LATERAL COVER KIT	
K4	1465039000	1	HARDWARE FOR ACCELERATOR ADJUSTMENT KIT	
K5	1465040000	1	HARDWARE FRONT FLAP KIT	

Part Notes:

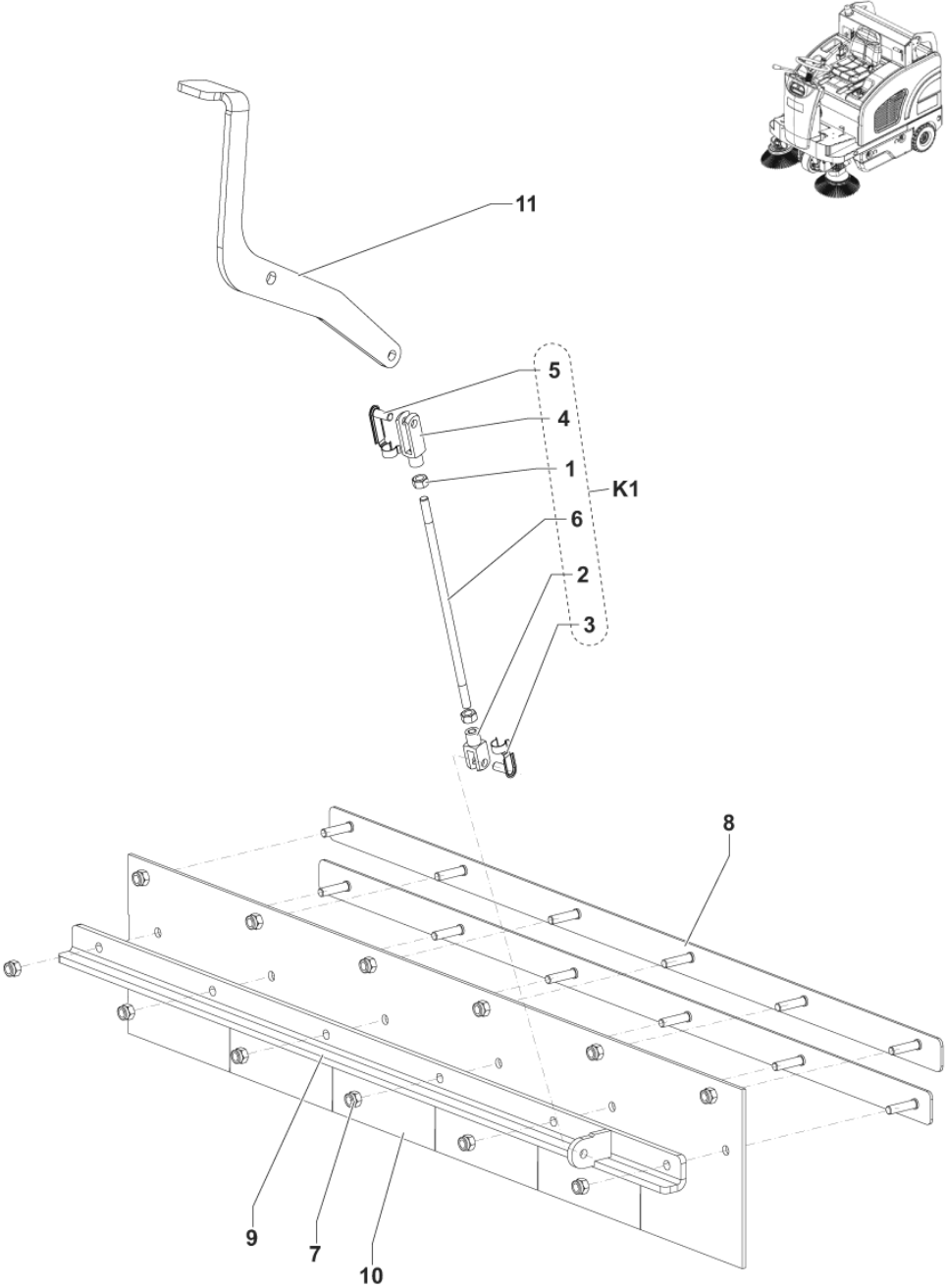
[1] - OPTIONAL

# FRONT LIFT FLAP

SW4000 LPG NIL

2015.05.19

2016.08.04



# FRONT LIFT FLAP

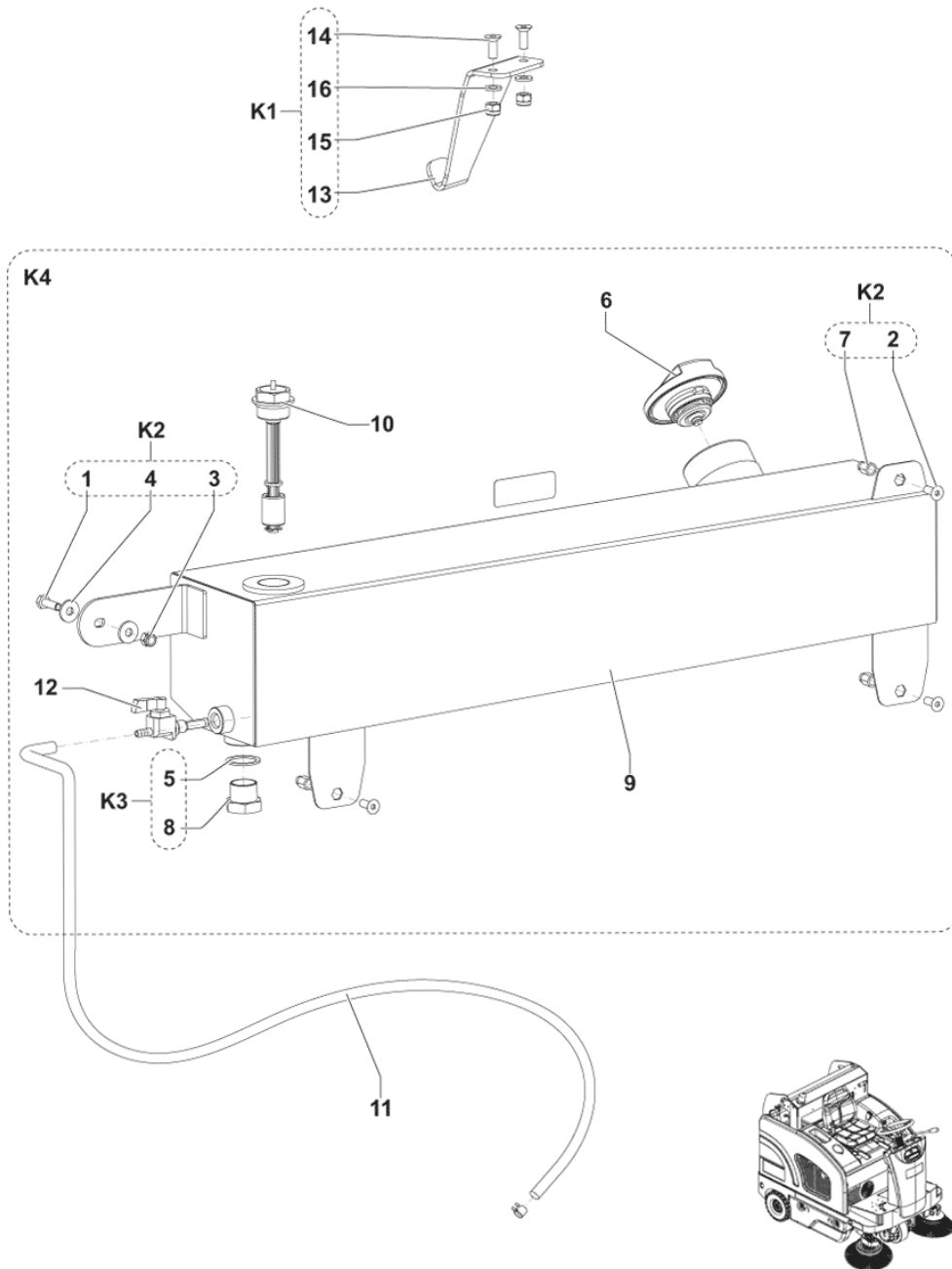
SW4000 LPG NIL

2015.05.19

2016.08.04

---

Pos.	Artikel-Nr.	Menge	Variante	Notes
1		2	K1	
2		1	K1	
3		1	K1	
4		1	K1	
5		1	K1	
6		1	K1	
7	33023469	2	NUT LOCK HEX M6 ISO7040 10 PCS SET	
8	1463916000	2	PLATE FRONT SKIRT	
9	1464337000	1	FLAP METAL FRONT	
10	1464497000	1	VORD. SCHÜRZE	
11	1464185000	1	PEDAL DEVICE SKIRT RISING	
K1	1464921000	1	ROD FOR FLAP KIT	



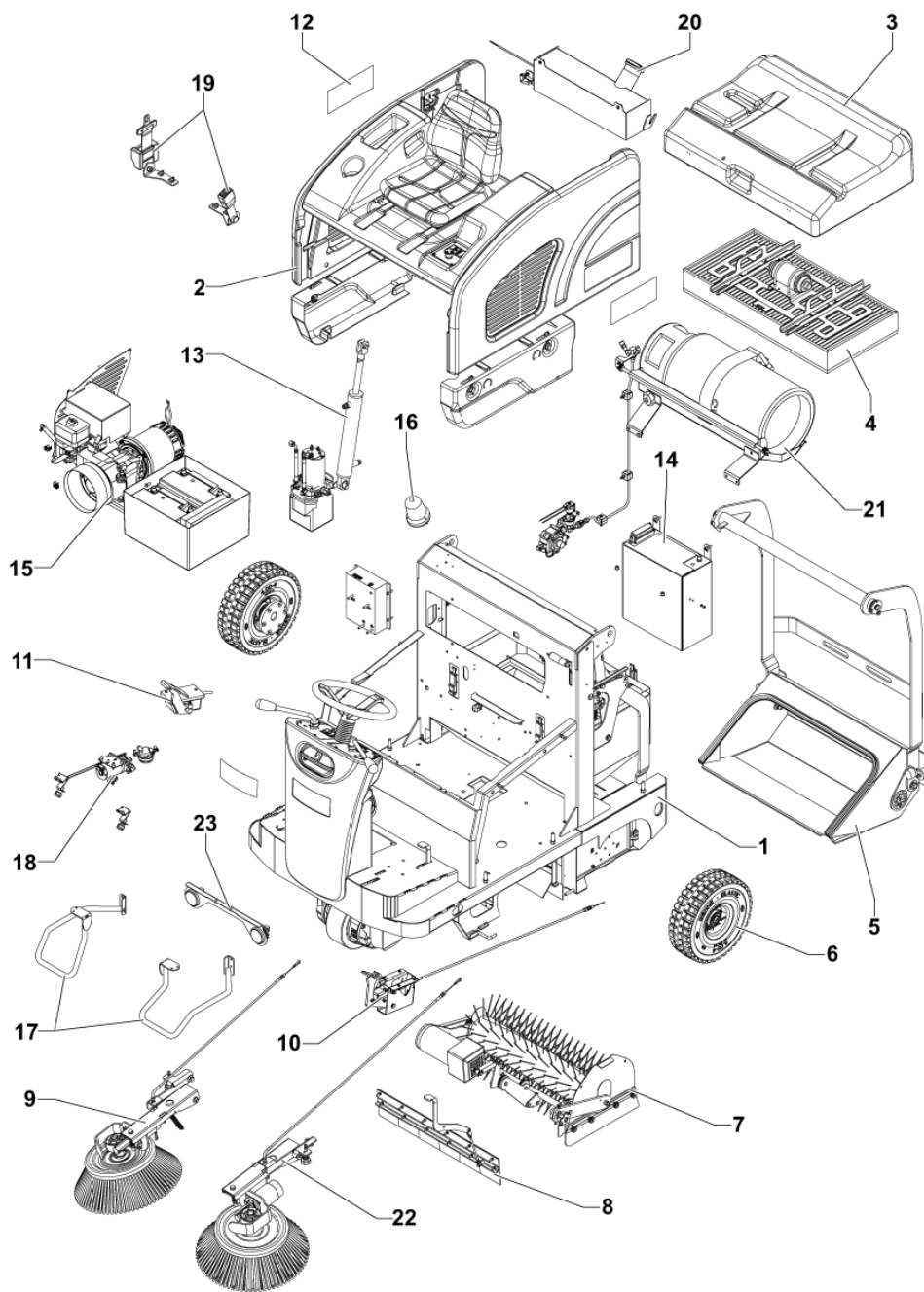
Pos.	Artikel-Nr.	Menge	Variante	Notes
1		1	K2	
2		3	K2	
3		1	K2	
4		2	K2	
5		1	K3	
6	33023342	1	CAP W/TETHER PKD	
7		3	K2	
8		1	K3	
9		1	K4	
10	1466325000	1	SENSOR LEVEL KIT	[1]
11	1467482000	1	HOSE FUEL D.4.8X10.3 L.1150MM KIT	
12	1464976000	1	TAP GASOLINE M10X1	
13		1	K1	
14		2	K1	
15		2	K1	
16		2	K1	
K1	1465344000	1	HOOK FOR FILTER SHAKER KIT	
K2	1465345000	1	HARDWARE FUEL TANK KIT	
K3	1465346000	1	CAP DRAIN KIT	
K4	1466324000	1	TANK FUEL KIT	[2]

## Part Notes:

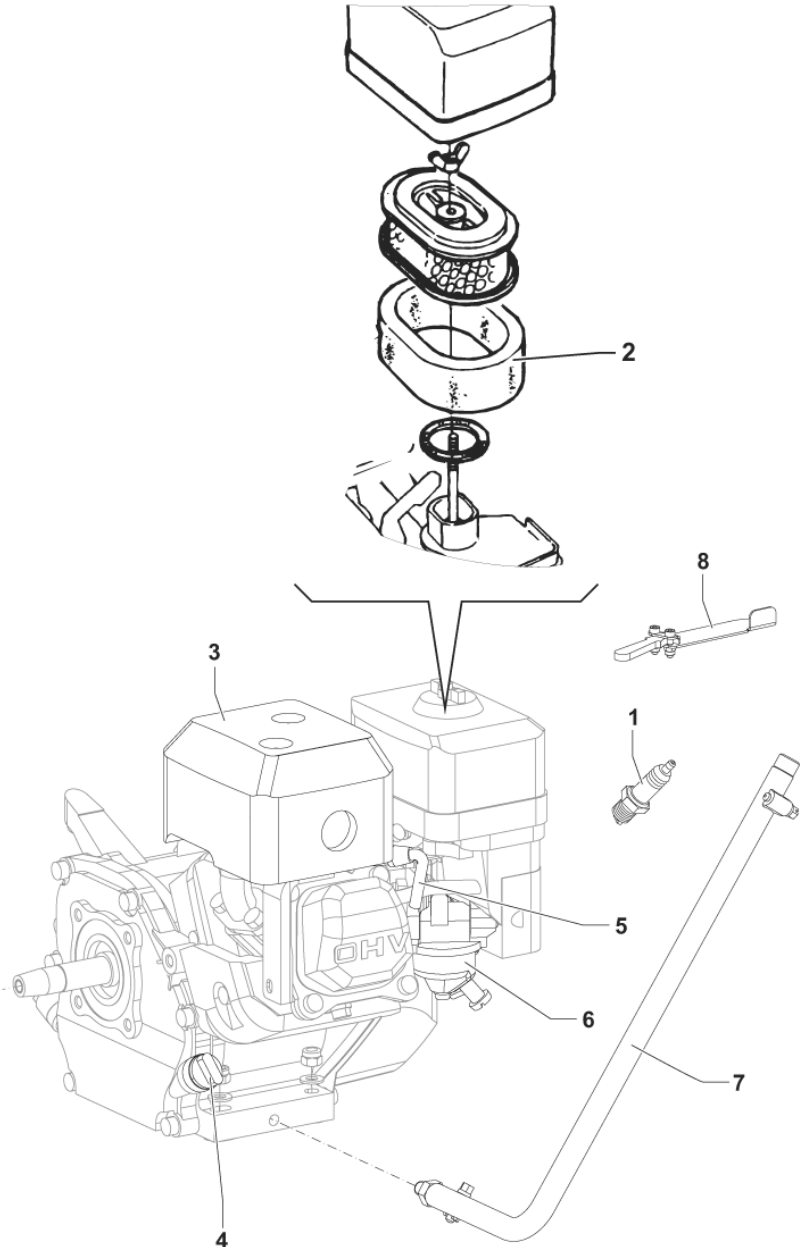
- [1] - SEE TSB-FC-2014-034  
 [2] - INSTALLATION INSTRUCTIONS REF. 1466333000

SEE TSB-FC-2014-034





Pos.	Artikel-Nr.	Menge	Variante	Notes
1			CHASSIS ASSY	
2			COVERS AND COFFINS ASSY	
3			VACUUM COVER ASSY	
4			PANEL FILTER ASSY	
5			HOPPER ASSY	
6			REAR WHEELS ASSY	
7			CENTRAL BROOM ASSY	
8			FRONT FLAP ASSY	
9			RIGHT BROOM ASSY	
10			BRAKE PEDAL ASSY	
11			ACCELERATOR PEDAL ASSY	
12	1464640000	1	DECALS SW4000 ENGINE KIT	
13			HYDRAULIC SYSTEM ASSY	
14			ELECTRIC SYSTEM ASSY	
15			MOTOR AND DYNAMOTOR ASSY	
16			FLASHING LIGHT ASSY	
17			SIDE BROOM GUARD ASSY	
18			DUSTGUARD SYSTEM ASSY	
19			SAFETY BELTS ASSY	
20			ASSY FUEL TANK ASSY	
21			GPL ASSY	
22			LEFT BROOM ASSY	
23			WORKING LIGHT ASSY	

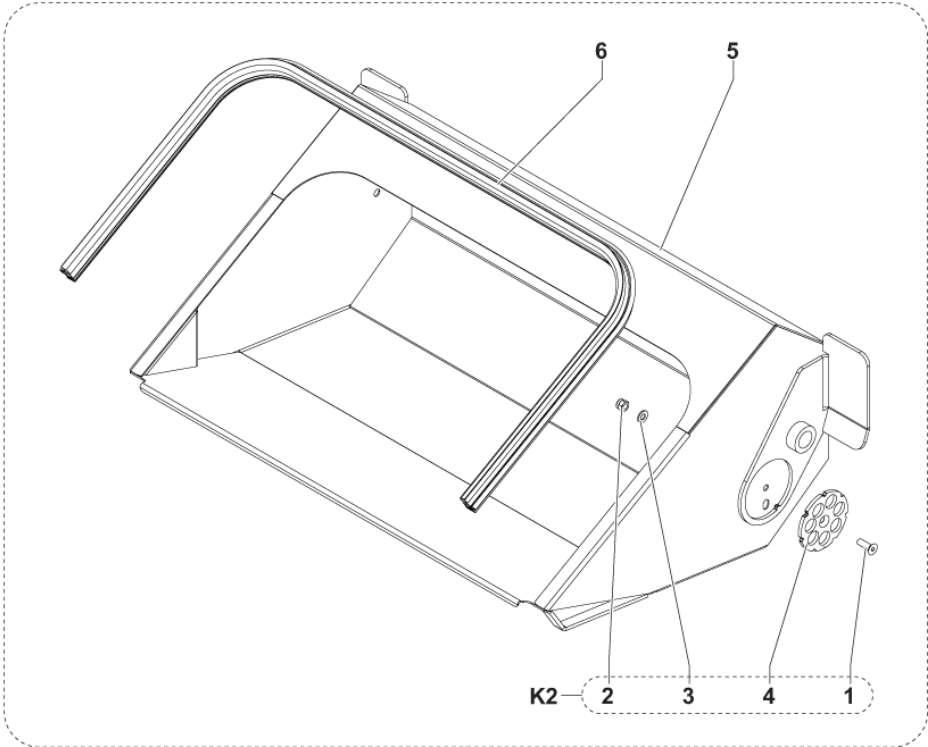


---

Pos.	Artikel-Nr.	Menge	Variante	Notes
1	1467159000	1	SPARK PLUG NGK R BPR6ES PKD	
2	1467160000	1	FILTER AIR HONDA ENGINE PKD	
3	1467420000	1	MUFFLER PETROL ENGINE KIT	
4	1467164000	2	DIPSTICK OIL F HONDA ENGINE SIP	
5	1467162000	1	COIL IGNITION PETROL ENGINE CPL SIP	
6	1467161000	1	CARBURETTOR CPL PETROL ENGINE SIP	[1]
7	1464929000	1	OIL DRAIN KIT	
8	1464928000	1	LEVER CHOKE KIT	

## Part Notes:

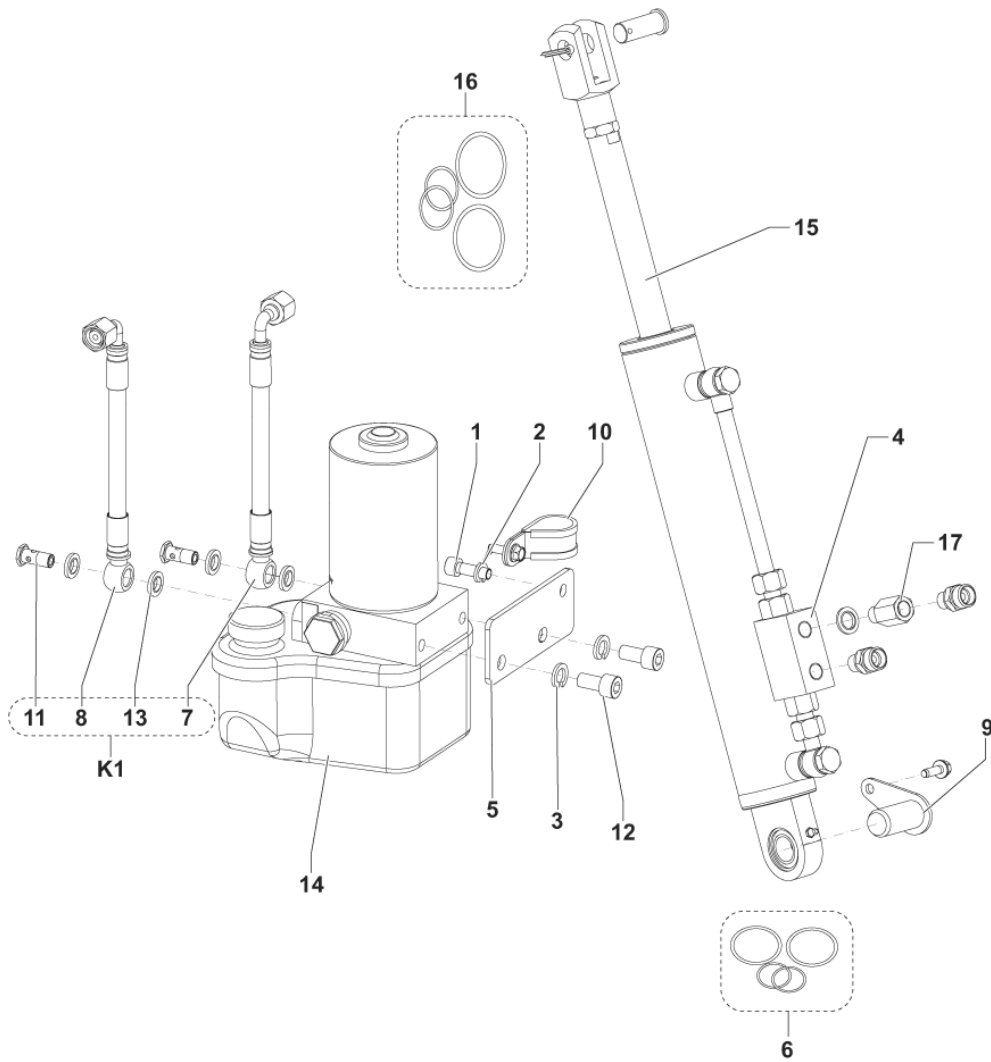
[1] - ONLY FOR PETROL VERSION



K1

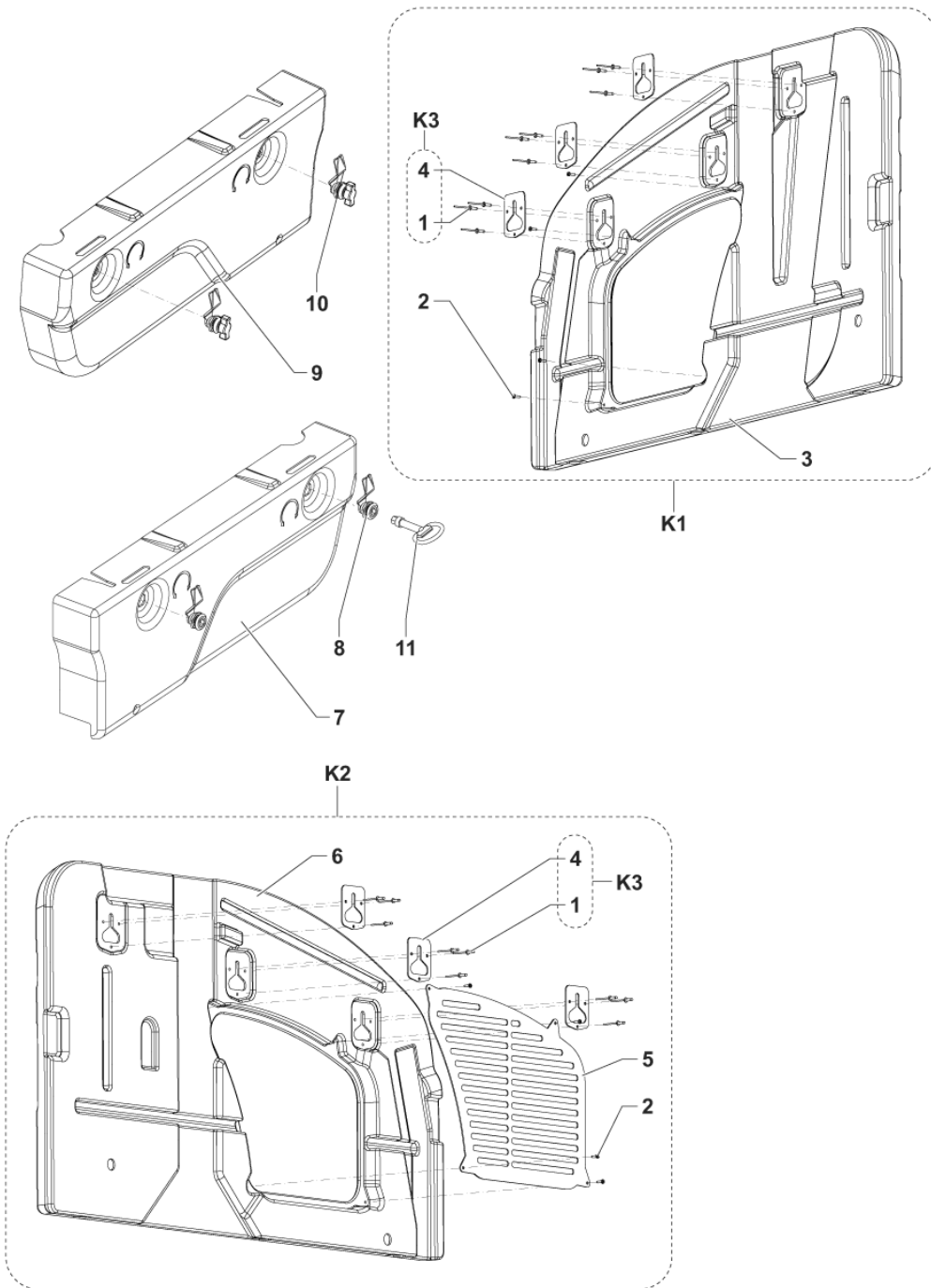
---

Pos.	Artikel-Nr.	Menge	Variante	Notes
1		1	K2	
2		1	K2	
3		1	K2	
4		1	K2	
5		1	K1	
6	1464535000	1	GASKET RUBBER L.1430MM PKD	
K1	1464917000	1	HOPPER WASTE KIT	
K2	1465065000	1	FLANGE HOPPER SETTING KIT	



Pos.	Artikel-Nr.	Menge	Variante	Notes
1	33004366	1	Schraube M8X25 UNI5931	
2	33023223	1	U-Scheibe M8 UNI1751B 10 Stck.	
3	33005843	2	Dichtungsring M10	
4	1467054000	1	VALVE BLOCK SIP	
5	1464233000	1	BRACKET FOR HYDRAULIC UNIT	
6	1465095000	1	GASKETS FOR PISTON KIT	
7		1	K1	
8		1	K1	
9	1464247000	1	PIN LOWER CILYNDER	
10	33020367	1	CLAMP HOSE D.25	
11		2	K1	
12	145 5742 000	2	Schraube	
13		4	K1	
14	1465177000	1	GEARCASE HYDRAULIC 12V-24V	
15	1464920000	1	CYLINDER KIT	
16	1465096000	1	GASKETS FOR CYLINDER HEAD KIT	
17	1465097000	1	CYLINDER FIXING KIT	
K1	1464919000	1	HOSES HYDRAULIC WITH HARDWARE KIT	





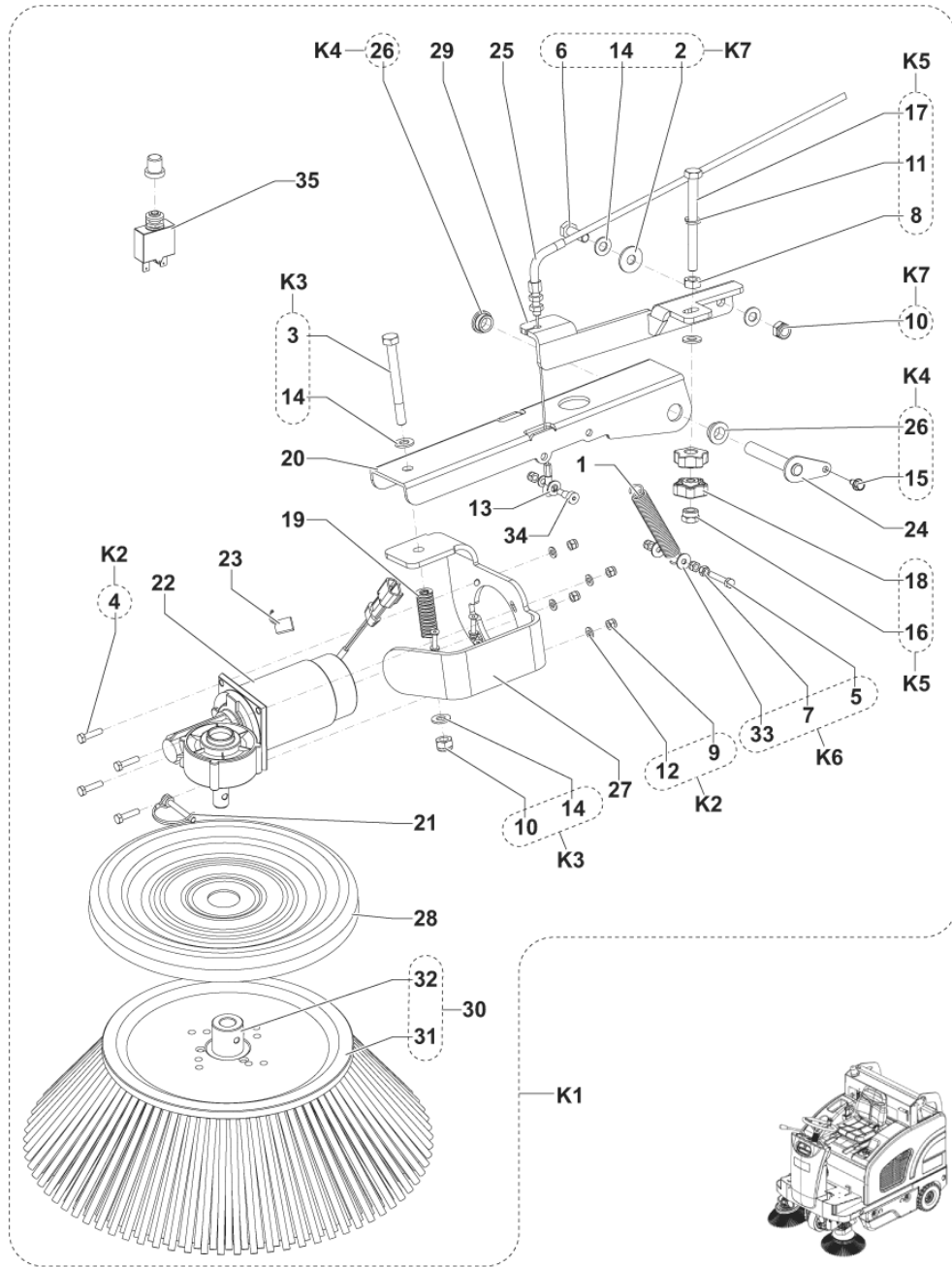
# LATERAL COVERS

SW4000 LPG NIL

2015.05.19

2016.04.22

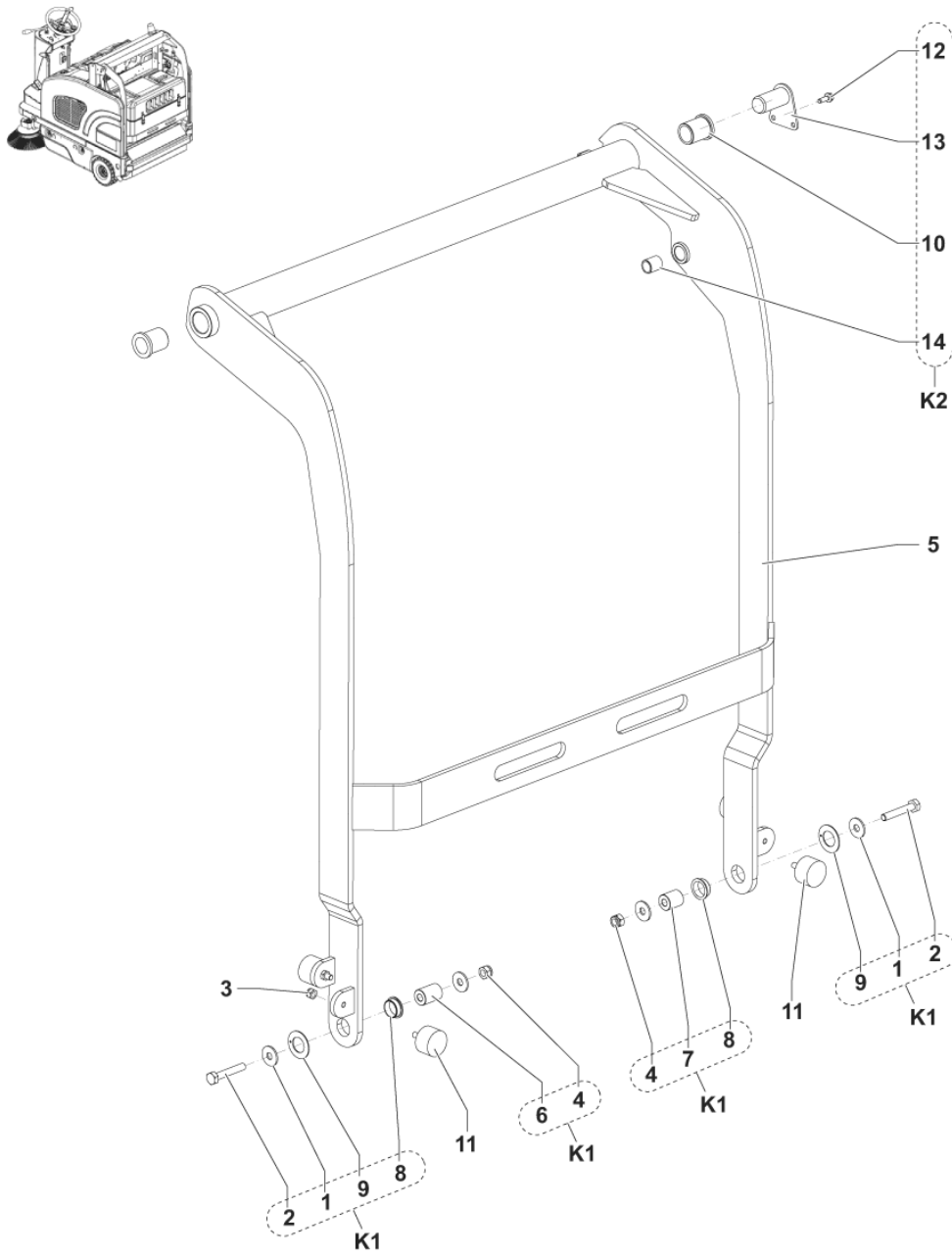
Pos.	Artikel-Nr.	Menge	Variante	Notes
1		18	K3	
2		8	K1-K2	
3		1	K1	
4		6	K3	
5	1464354000	1	GRID VENTING	
6		1	K2	
7	1464191000	1	HATCH RIGHT SIDE	
8	1467109000	2	LOCK WITH KEY FOR HATCH PKD	
9	1464192000	1	HATCH LEFT SIDE	
10	1467041000	4	LOCK PKD	
11	1467057000	1	KEY HEX 10MM MALE PKD	
K1	1464925000	1	COVER RIGHT KIT	
K2	1464923000	1	COVER LEFT KIT	
K3	1465044000	1	PLATE FOR PANEL FIXING KIT	



Pos.	Artikel-Nr.	Menge	Variante	Notes
1	146 0986 000	1	SPRING	
2		1	K7	
3		1	K3	
4		4	K2	
5		1	K6	
6		1	K7	
7		1	K6	
8		1	K5	
9		7	K2	
10		2	K3-K7	
11		1	K5	
12		5	K2	
13	33023208	1	WASHER M8 UNI6592 10 PCS SET	
14		5	K3-K7	
15		1	K4	
16		1	K5	
17		1	K5	
18		2	K5	
19	146 1317 000	1	Feder SR 1500 HD	
20	1463903000	1	LEVER SIDE BROOM LIFTING	
21	1463960000	1	CLIP WITH PIN	
22	1464242000	1	GEARMOTOR LEFT SIDE BROOM	
23	1467083000	1	CARBON BRUSH 2 PCS SET	
24	1464412000	1	PIN FOR SIDE BROOM ARM	
25	1464415000	1	CABLE LEFT SIDE BROOM	
26		2	K4	
27	1464500000	1	BRACKET FOR LEFT SIDE BROOM	
28	1464499000	1	COVER SIDE BROOM	
29	1464427000	1	BRACKET LEFT SIDE BROOM ADJUSTMENT	
30	1465318000	1	Seitenbesen Stahlmix/PP 1,3 280x450 mm	
30	1465320000	1	Seitenbesen PP 1,0 schwarz, 280x450 mm	[1]
30	1465319000	1	Seitenbesen Naturb./Mix 5, 280x450 mm	[1]
31		1	30	
32	1464843000	1	HUB FOR SIDE BROOM	
33		2	K6	
34	1464243000	1	SCREW SHOULDER 8X12 M6 ISO7379	
35	1464336000	1	Sicherungsautomat 15A	
K1	1464946000	1	Seitenbesen-Set, links, Stahlmix	[2]
K2	1465046000	1	HARDWARE GEARMOTOR KIT	
K3	1465047000	1	HARDWARE GEARMOTOR SUPPORT KIT	
K4	1465048000	1	PIN FOR SIDE BROOM SUPPORT KIT	
K5	1465049000	1	KNOB SIDE BROOM KIT	
K6	1465050000	1	HARDWARE SIDE BROOM SPRING SUPPORT KIT	
K7	1465051000	1	HARDWARE SIDE BROOM ADJ. BRACKET KIT	

## Part Notes:

- [1] - OPTIONAL  
[2] - OPTIONAL - INSTALLATION INSTRUCTION REF. 1465242000



# LIFTING ARMS

SW4000 LPG NIL

2015.05.19

2017.06.13

Pos.	Artikel-Nr.	Menge	Variante	Notes
1		4	K1	
2		2	K1	
3	33005533	4	Nut HEX M8 UNI 5589	
4		2	K1	
5	1464159000	1	ARM LIFTING HOPPER WASTE	
6		1	K1	
7		1	K1	
8		2	K1	
9		2	K1	
10		2	K2	
11	1467047000	4	BUMPER M8 D.40X25MM SIP	
12		2	K2	
13		2	K2	
14		1	K2	
K1	1465063000	1	ARM PRIMARY HOPPER FIXING KIT	
K2	1465064000	1	PIN PRIMARY ARM KIT	

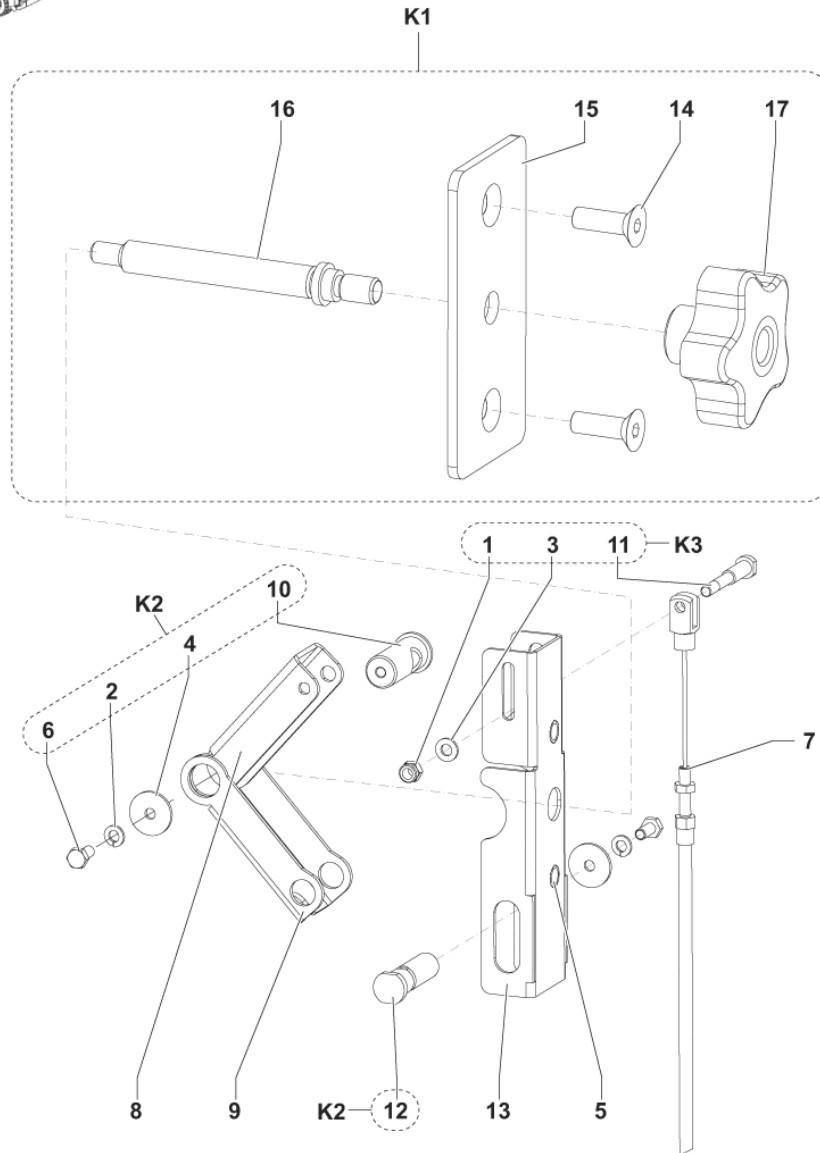
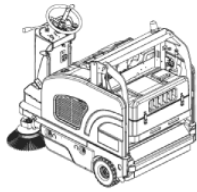


Pos.	Artikel-Nr.	Menge	Variante	Notes
1		1	K1	
2	33023470	1	SCREW M6X20 HEX HD ISO4017 10 PCS SET	
3	33003996	2	Schraube M8 x 30	
4		2	K2	
5		2	K5	
6	33004350	6	SCREW M6X40 CAP HD HEX SOCK ISO4762	
7		1	K3	
8	33004578	1	Schraube TPSEI 6x20	
9		1	K1	
10		6	K5	
11	33005851	9	Unterlegscheibe	
12		1	K1	
13		12	K5	
14		1	K1	
15	33006165	1	RING D 35 UNI7437	
16		1	K4	
17	1466733000	3	CLAMP PIPE FIXING D.18 -PAIR- SIP	
18		1	K4	
19		1	K3	
20	145 8011 000	2	Keil zu 3PS Hondamotor	
21	1467030000	2	BEARING BALL 6003 2RS PKD	
22		1	K1	
23		1	K4	
24	146 1017 000	1	Keil 5x5x15 zu SR 1500 HB	
25	1463358000	2	SPRING GAS 40KG	
26		1	K5	
27	1466157000	1	BRACKET PULLEYS SUPPORT SIP	
28	1464239000	2	PULLEY BROOM LEVER	
29	1464266000	1	BELT HTD 825-5M	
30		2	K2	
31	1467562000	1	MOTOR MAIN BROOM 24V 600W SIP	
32	L08603949	1	Kohlenbürsten Kit 4pcs	
33	1464983000	3	PLATE FOR COLLAR	
34	1464986000	1	SHAFT MAIN BROOM	
35	1466139000	1	PULLEY HTD KIT	
36		1	K1	
37	1467056000	1	HUB MAIN BROOM PKD	
38	1466079000	1	PIN MAIN BROOM PKD	
39	1463913000	1	Kehrwalze PP 0,8 5 340x700 mm	
39	1463854000	1	Kehrwalze Mix 5 340x700 mm	[1]
39	1464947000	1	Kehrwalze Stahlmix 340x700 mm	[1]
40	1466144000	1	BRACKET PROTECTION PULLEYS KIT	[2]
41	1467525000	1	HUB CPL F MAIN BROOM KIT	[3]
42	33023574	1	NUT LOCK HEX M8 ISO10511 PCS 10 SET	
K1	1465052000	1	HARDWARE MAIN BROOM HUB KIT	
K2	1465053000	1	HARDWARE MAIN BROOM PULLEY KIT	
K3	1465054000	1	HARDWARE MAIN BR. MOTOR PULLEY KIT	
K4	1465055000	1	PULLEY MAIN BR. MOTOR KIT	
K5	1465056000	1	HARDWARE FOR GAS SPRING KIT	

## Part Notes:

- [1] - OPTIONAL  
[2] - INSTALLATION INSTRUCTIONS: 1466145000  
[3] - FOR ALL MAIN BROOMS: 1463913000 - 1463854000 - 1464947000





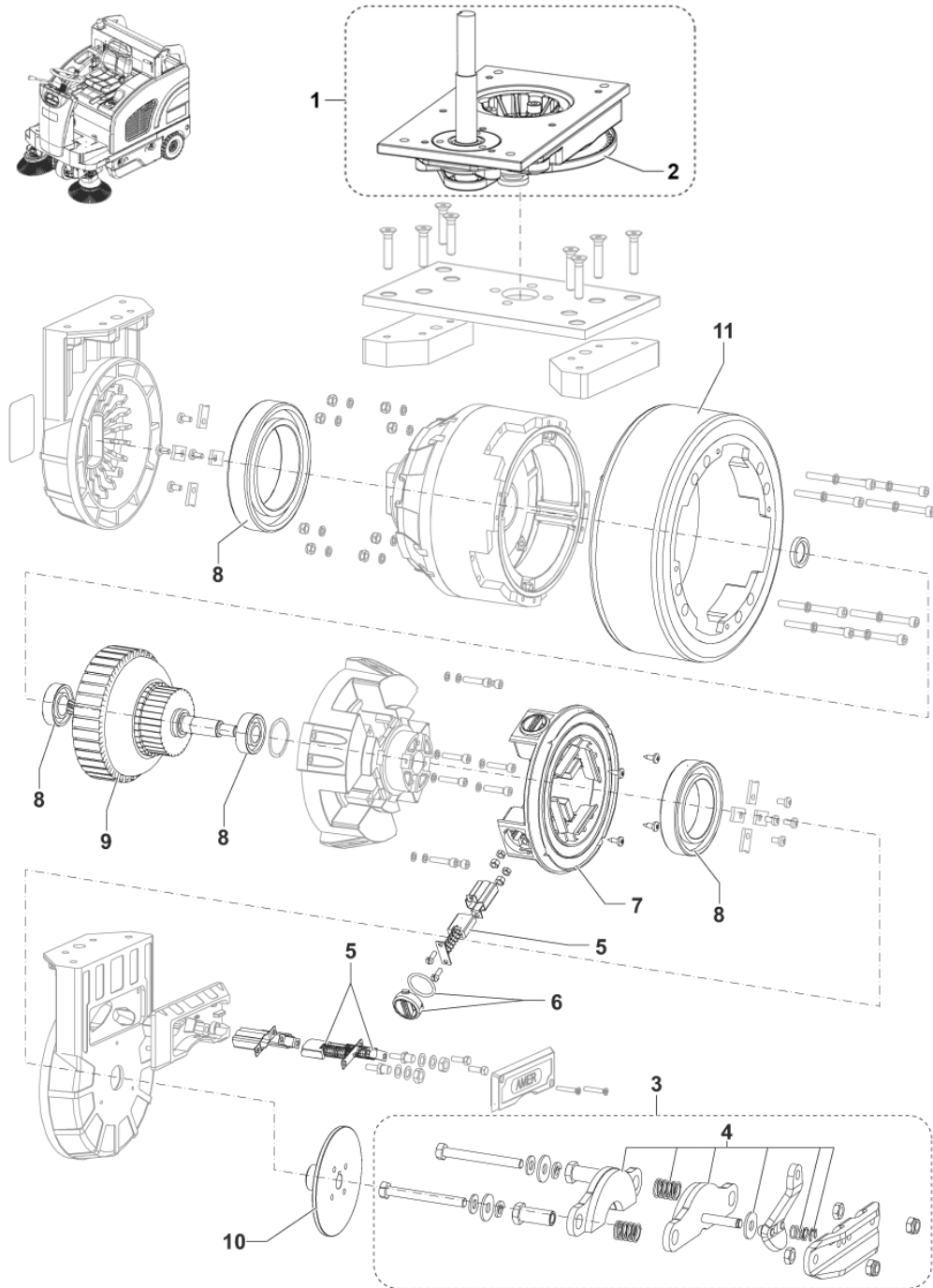
# MAIN BROOM ADJUSTMENT

SW4000 LPG NIL

2015.05.19

2014.01.10

Pos.	Artikel-Nr.	Menge	Variante	Notes
1		1	K3	
2		2	K2	
3		1	K3	
4		2	K2	
5	145 4773 000	2	INSERT M8	
6		2	K2	
7	1464413000	1	CABLE MAIN BROOM	
8	1464449000	1	BRACKET UPPER MAIN BROOM SETTING	
9	1464450000	1	BRACKET LOWER MAIN BROOM SETTING	
10		1	K2	
11		1	K3	
12		1	K2	
13	1464462000	1	BRACKET GUIDE MAIN BROOM SETTING	
14		2	K1	
15		1	K1	
16		1	K1	
17	1464476000	1	KNOB LOBES M10 F. W/YELLOW CAP	
K1	1464914000	1	BROOM MAIN ADJUST. KIT	
K2	1465059000	1	BROOM MAIN ADJUST. KIT	
K3	1465060000	1	CABLE MAIN BROOM FIXING KIT	



Pos.	Artikel-Nr.	Menge	Variante	Notes
1	1464834000	1	STEERING SYSTEM	
2	1465133000	1	CHAIN FOR STEERING	
3	1464804000	1	CALIPER BRAKE COMPLETE KIT	
4	1464805000	1	PADS BRAKE KIT	
5	9096960000	1	Kohlebürstenkit	
6	9096969000	4	Kappe m. Dichtung	
7	9096968000	1	RING CARBON BRUSHES HOLDER	
8	9096959000	1	BEARING BALL KIT	
9	1465182000	1	ARMATURE	
10	1467694000	1	DISC BRAKE W/HUB F MOTORWHEEL SIP	
11	1465314000	1	RING FOR MOTORWHEEL KIT	
11	1464955000	1	Antriebsrad, vorne, n. mark.	[1]

## Part Notes:

[1] - OPTIONAL - INST. INSTR. 1465241000



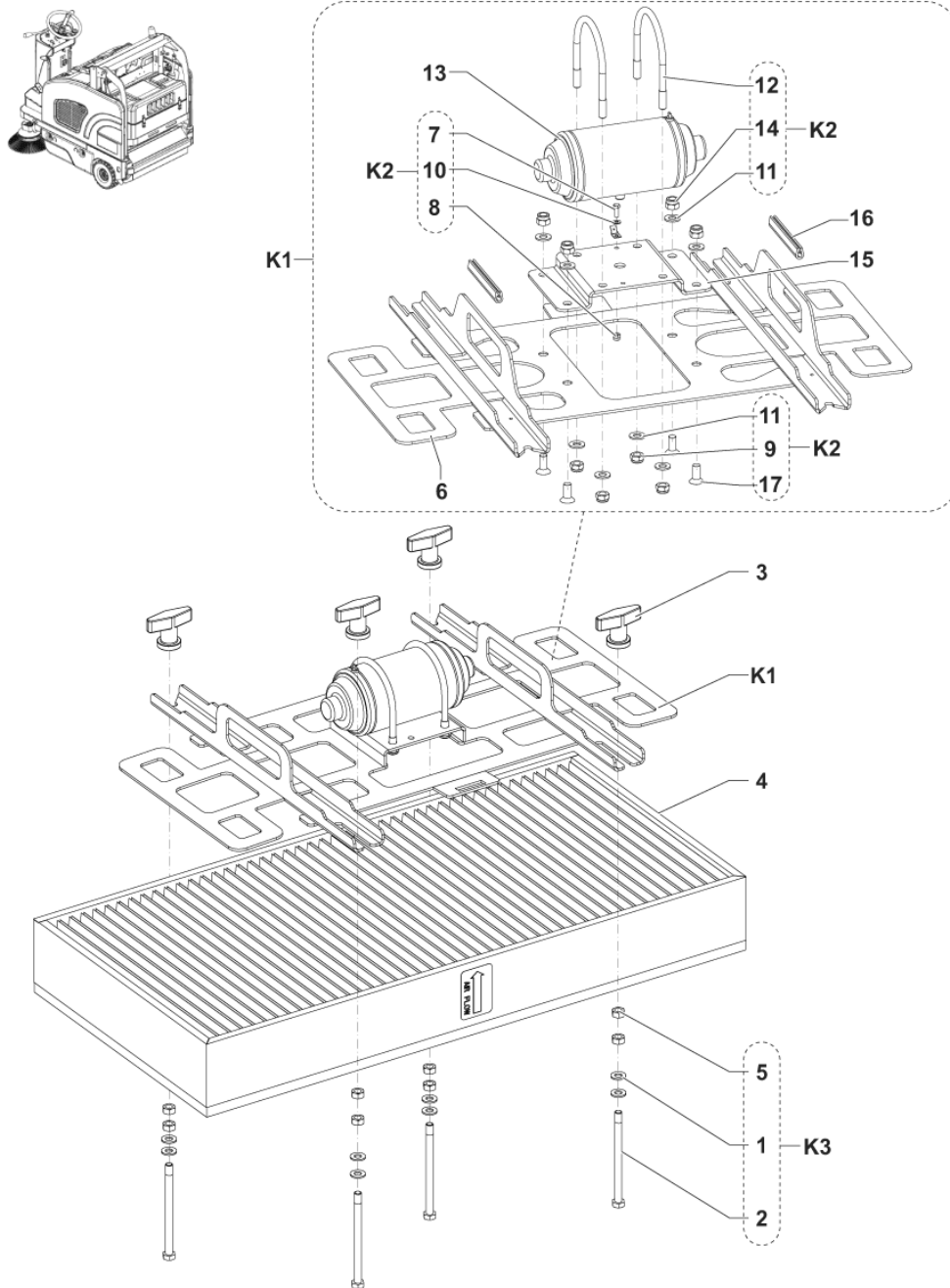
# OPTIONALS AND ACCESSORIES

SW4000 LPG NIL

2015.05.19

2016.02.24

Pos.	Artikel-Nr.	Menge	Variante	Notes
	1464951000	1	Sauglippen-Set	
	1464876000	2	WHEEL FOAM FILLED 4.00-4 NO MARKING	
	146 1876 000	2	Frontrad	
	146 0329 000	2	Antriebsrad, vorne, n. mark.	
	1465312000	1	Schaumgefülltes Räder-Set, hinten, n. ma	
	1465170000	1	WHEEL TRACTION NON MARKING KIT	
	1464955000	1	Antriebsrad, vorne, n. mark.	
	1465320000	1	Seitenbesen PP 1,0 schwarz, 280x450 mm	
	1465319000	1	Seitenbesen Naturb./Mix 5, 280x450 mm	
	1464946000	1	Seitenbesen-Set, links, Stahlmix	
	1463854000	1	Kehrwalze Mix 5 340x700 mm	
	1464947000	1	Kehrwalze Stahlmix 340x700 mm	
	1464189000	1	Kassettenfilter, Ultra-Web, blau	
	1464953000	1	Dust-Guard-System	
	1464958000	1	Seitenbesen-Schutz-Set, rechts	
	1464959000	1	Seitenbesen-Schutz-Set, links	
	1464952000	1	Fahrerschutzdach-Set	
	1464956000	1	Fahrerschutzdach-Set	
	1466346000	1	Lichter-Set, vorne, 24V 70W	
	1464954000	1	Sicherheitsgurt-Set	
	33019556	1	Armlehne-Set rechts	
	1464960000	1	Armlehne-Set links	

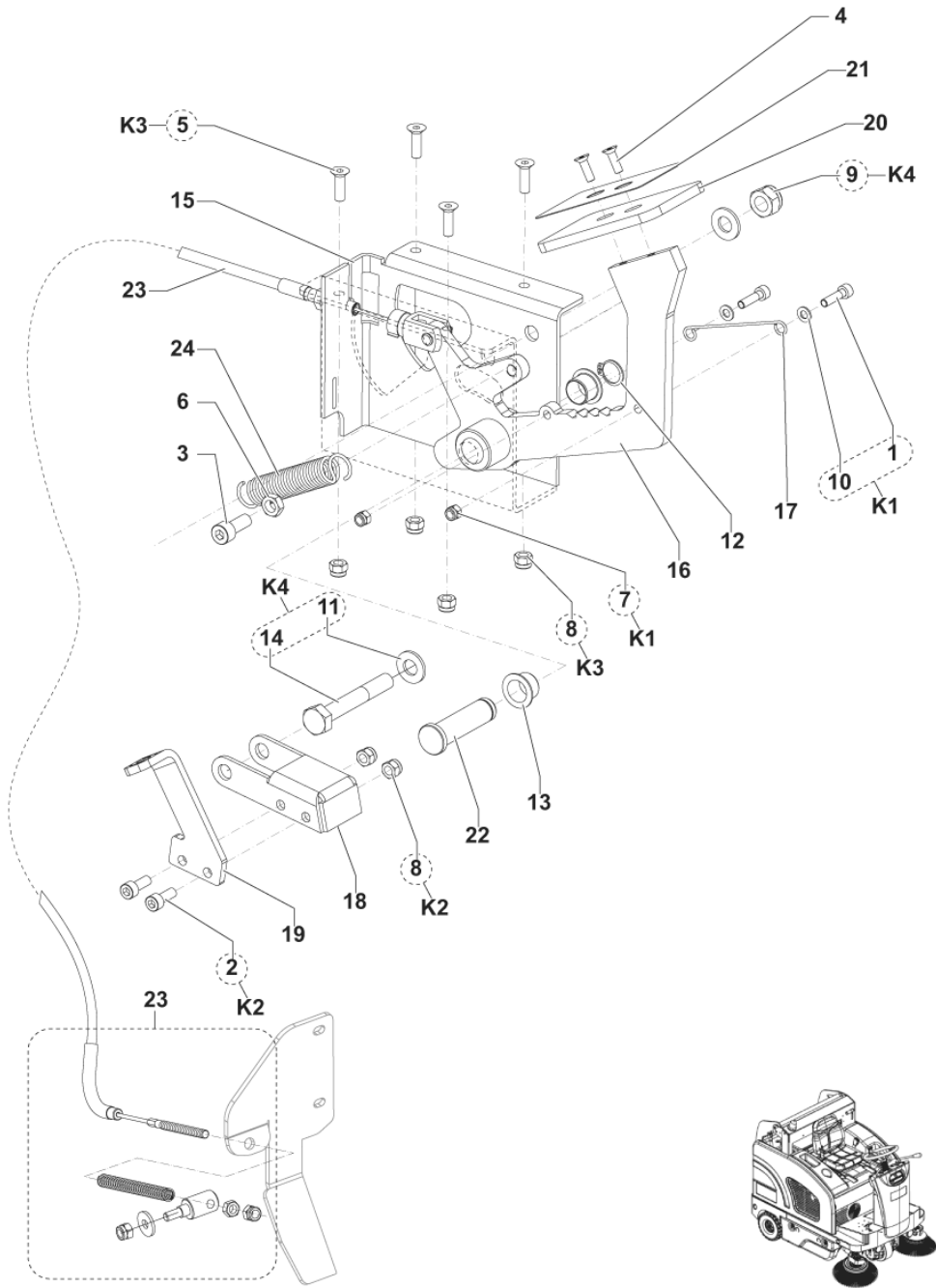


Pos.	Artikel-Nr.	Menge	Variante	Notes
1		8	K3	
2		4	K3	
3	9098257000	4	Flügelmutter	
4	1464839000	1	Kassettenfilter, Ultra-Web	
4	1464189000	1	Kassettenfilter, Ultra-Web, blau	[1]
4	1465402000	1	FILTER PANEL PAPER OPEN FINE DUST	[1]
4	1465403000	1	Kassettenfilter Polyester, Feinstaub	[1]
5		8	K3	
6		1	K1	
7		1	K2	
8		1	K2	
9		4	K2	
10		1	K2	
11		8	K2	
12		2	K2	
13	145 5539 000	1	Motor Filtershak.	
14		4	K2	
15		1	K1	
16		2	K1	
17		4	K2	
K1	1464918000	1	SHAKER FILTER KIT	
K2	1465061000	1	HARDWARE SHAKER FIXING KIT	
K3	1465062000	1	HARDWARE FILTER PLATE FIXING KIT	

Part Notes:

[1] - OPTIONAL





Pos.	Artikel-Nr.	Menge	Variante	Notes
1		2	K1	
2		2	K2	
3	33004365	1	SCREW M8X20 UNI5931	
4	33004563	2	Schraube	
5		4	K3	
6	33005533	1	Nut HEX M8 UNI 5589	
7		2	K1	
8		6	K3	
9		1	K4	
10		2	K1	
11		2	K4	
12	33006054	1	Sicherungsring D15	
13	146 0903 000	2	BEARING FLANGE IGLIDUR GFM-1517-12	
14		1	K4	
15	1464217000	1	SUPPORT BRAKE	
16	1464218000	1	LEVER BRAKE	
17	1464219000	1	SPRING LOCK BRAKE	
18	1464220000	1	LOCK PARKING BRAKE	
19	1464221000	1	PEDAL LOCK BRAKE	
20	1464222000	1	PLATE BRAKE PEDAL	
21	1464223000	1	MAT ANTI SLIP BRAKE PEDAL	
22	1464224000	1	PIN BRAKE PEDAL	
23	1467456000	1	CABLE BRAKE KIT	
24	1467046000	1	SPRING BRAKE SIP	
K1	1465066000	1	HARDWARE SPRING LOCK BRAKE KIT	
K2	1465067000	1	HARDWARE LOCK BRAKE PEDAL KIT	
K3	1465068000	1	HARDWARE SUPPORT BRAKE KIT	
K4	1465069000	1	HARDWARE LOCK TOOTH KIT	



# RECOMMENDED SPARE PARTS

SW4000 LPG NIL

2015.05.19

2017.08.28

Pos.	Artikel-Nr.	Menge	Variante	Notes
NW	1467062000	3	SWITCH BACK UP PROXIMITY PKD	
OM	33020442	1	Schlüsselschalter	
EOM	33006165	1	RING D 35 UNI7437	
EOM	33023342	1	CAP W/TETHER PKD	
EOM	33019229	2	Frontscheinwerfer	[1]
EOM	1467063000	1	VALVE SECURITY 400PSI SIP	
EOM	33019324	2	Düsen Spray Kit	
EOM	1467085000	2	BATTERY START 12V 77 AH PKD	
EOM	33019734	2	LAMP 24V 70W	[1]
EOM	33019774	1	TIMER FOR SOLENOID VALVE	
EOM	1467246000	2	NOZZLE SPRAY D. 0.33 S.S. PKD	
EOM	1467245000	2	Rueckschlagventil Filter	
EOM	1467247000	2	NOZZLE SPRAY D. 0.53 BRASS PKD	
EOM	1467039000	2	SPRING TRACTION CARBON STEEL SIP	
EOM	1463358000	2	SPRING GAS 40KG	
EOM	1467040000	1	FAN RADIAL 24V SIP	
EOM	1463916000	1	PLATE FRONT SKIRT	
EOM	1467472000	1	DYNAMOTOR MP135 1400W PKD	
EOM	1465633000	1	SOLENOID VALVE LPG/CNG 12V 8W KIT	
EOM	1464181000	1	BUSHING SUPPORT LEVER	
EOM	1464839000	1	Kassettenfilter, Ultra-Web	
EOM	1464198000	1	GASKET BULB RUBBER L.2200MM PKD	
EOM	1466210000	1	CONTROLLER DRIVE WHEEL PKD	
EOM	1464219000	1	SPRING LOCK BRAKE	
EOM	1464241000	1	GEARMOTOR FOR RIGHT SIDE BROOM	
EOM	1464242000	1	GEARMOTOR LEFT SIDE BROOM	
EOM	1466325000	1	SENSOR LEVEL KIT	
EOM	1466211000	1	CARD ELECTRONIC CONTROL PANEL PKD	
EOM	1464266000	1	BELT HTD 825-5M	
EOM	1464275000	1	SKIRT REAR RECYCLE	
EOM	1464276000	1	PLATE REAR SKIRT FIXING	
EOM	1464277000	1	PLATE REAR SKIRT	
EOM	1464278000	2	PLATE SIDE KIRT FIXING	
EOM	1464289000	2	Relais SR 1301 24V20/30A	
EOM	1464336000	1	Sicherungsautomat 15A	
EOM	1464337000	1	FLAP METAL FRONT	
EOM	1464345000	1	FUSE BLADE 80A	
EOM	1464413000	1	CABLE MAIN BROOM	
EOM	1464414000	1	CABLE RIGHT SIDE BROOM	
EOM	1464415000	1	CABLE LEFT SIDE BROOM	
EOM	1464425000	1	ELEKTRONISCHES GASPEDAL	
EOM	1467046000	1	SPRING BRAKE SIP	
EOM	1464433000	1	Kohlebürsten-Kit (4St.)	
EOM	1467562000	1	MOTOR MAIN BROOM 24V 600W SIP	
EOM	1464465000	1	BRACKET FRONT LIGHT	[1]
EOM	1464476000	2	KNOB LOBES M10 F. W/YELLOW CAP	
EOM	1464497000	1	VORD. SCHÜRZE	
EOM	1467159000	1	SPARK PLUG NGK R BPR6ES PKD	
EOM	1464535000	1	GASKET RUBBER L.1430MM PKD	
EOM	1467109000	2	LOCK WITH KEY FOR HATCH PKD	
EOM	1467694000	1	DISC BRAKE W/HUB F MOTORWHEEL SIP	
EOM	1464804000	1	CALIPER BRAKE COMPLETE KIT	
EOM	9096960000	1	Kohlebürstenkit	
EOM	1467482000	1	HOSE FUEL D.4.8X10.3 L.1150MM KIT	
EOM	1464919000	1	HOSES HYDRAULIC WITH HARDWARE KIT	
EOM	1464920000	1	CYLINDER KIT	
EOM	1464921000	1	ROD FOR FLAP KIT	
EOM	1467160000	1	FILTER AIR HONDA ENGINE PKD	
EOM	1467161000	1	CARBURETTOR CPL PETROL ENGINE SIP	

# RECOMMENDED SPARE PARTS

SW4000 LPG NIL

2015.05.19

2017.08.28

Pos.	Artikel-Nr.	Menge	Variante	Notes
EOM	1466359000	1	HARNES WORK LIGHTS SIP	
EOM	1464972000	1	ENGINE GX200UT LPG KIT	
EOM	1464982000	1	SWITCH ELECTROMAGNETIC 24V 120A	
EOM	1466139000	1	PULLEY HTD KIT	
EOM	1467056000	1	HUB MAIN BROOM PKD	
EOM	1465037000	1	PIN HOPPER BEARING KIT	
EOM	1465040000	1	HARDWARE FRONT FLAP KIT	
EOM	1465049000	1	KNOB SIDE BROOM KIT	
EOM	1465052000	1	HARDWARE MAIN BROOM HUB KIT	
EOM	1465095000	1	GASKETS FOR PISTON KIT	
EOM	1465096000	1	GASKETS FOR CYLINDER HEAD KIT	
EOM	1465647000	1	PUMP WATER KIT	
EOM	1465175000	1	Einbauladegerät 24V-30A 230V	
EOM	1465177000	1	GEARCASE HYDRAULIC 12V-24V	
EOM	1465273000	1	CABLE LOCK RELEASE	
EOM	1465281000	2	BEARING SLEEVE IGLIDUR MSM-1622-15	
EOM	1465314000	1	RING FOR MOTORWHEEL KIT	
EOM	1465355000	1	CAP SOLUTION TANK KIT	
EOM	1465356000	1	HARDWARE DUSTGUARD KIT	
EOM	1465357000	1	HOSES POLYESTER DUSTGUARD KIT	
EOM	1465358000	1	FITTINGS AND REDUCTIONS DUST GUARD KIT	
EOM	1466778000	1	REPAIR SOLENOID VALVE LPG SIP	
EOM	1467456000	1	CABLE BRAKE KIT	
EOM	1465396000	1	SCHÜRZE KOMPLETT	
EOM	1465398000	1	SWITCH HOPPER RAISING KIT	
EOM	1465399000	1	SWITCH HOPPER LEAD KIT	
EOM	1465400000	1	SWITCH FW RW KIT	
EOM	1465401000	1	SWITCH DUST GUARD KIT	
EOM	9096959000	1	BEARING BALL KIT	
EOM	9096969000	4	Kappe m. Dichtung	
EOM	9097208000	1	Relais	
EOM	9100000860	1	FILTER WATER PKD	
EOM	1467023000	1	HUB LEFT MAIN BROOM PKD	
EOM	44905699	1	BEARING BALL 6001 2RS PKD	
EOM	1467024000	1	SPRING PKD	
EOM	1467083000	1	CARBON BRUSH 2 PCS SET	
EOM	145 5539 000	1	Motor Filtershak.	
EOM	9100000878	1	FUSE BLADE 3A PKD	
EOM	1467030000	2	BEARING BALL 6003 2RS PKD	
EOM	145 8513 000	3	FUSE BLADE 30A UL	
EOM	1466319000	1	JOINT UNIVERSAL D.17 PKD	
EOM	145 9852 000	1	FUSE BLADE 5A UL	
EOM	145 9854 000	1	Sicherung 50A	
EOM	1467034000	1	FUSE BLADE 10A PKD	
EOM	146 0329 000	2	Antriebsrad, vorne, n. mark.	
EOM	146 0840 000	1	Sicherung 150A	
EOM	146 0845 000	1	Schalter	
EOM	146 0846 000	1	Schalter f. SR1300H B	
EOM	146 0903 000	2	BEARING FLANGE IGLIDUR GFM-1517-12	
EOM	146 0986 000	1	SPRING	
EOM	146 1167 000	1	Schalter	
EOM	146 1317 000	1	Feder SR 1500 HD	
EOM	1466683000	1	Sicherheitsschalter	
EOM	146 1728 000	1	Kontakt	
EOM	146 1730 000	1	Kontakt NA	
EOM	146 1876 000	2	Frontrad	
EOM	1466374000	8	KNOB KNURLED M6 FEMALE PKD	
EOM	9100000861	1	NET WATER FILTER REINFORCED PKD	
EOM	909 6622 000	6	Relais 24 V 40 A	

# RECOMMENDED SPARE PARTS

SW4000 LPG NIL

2015.05.19

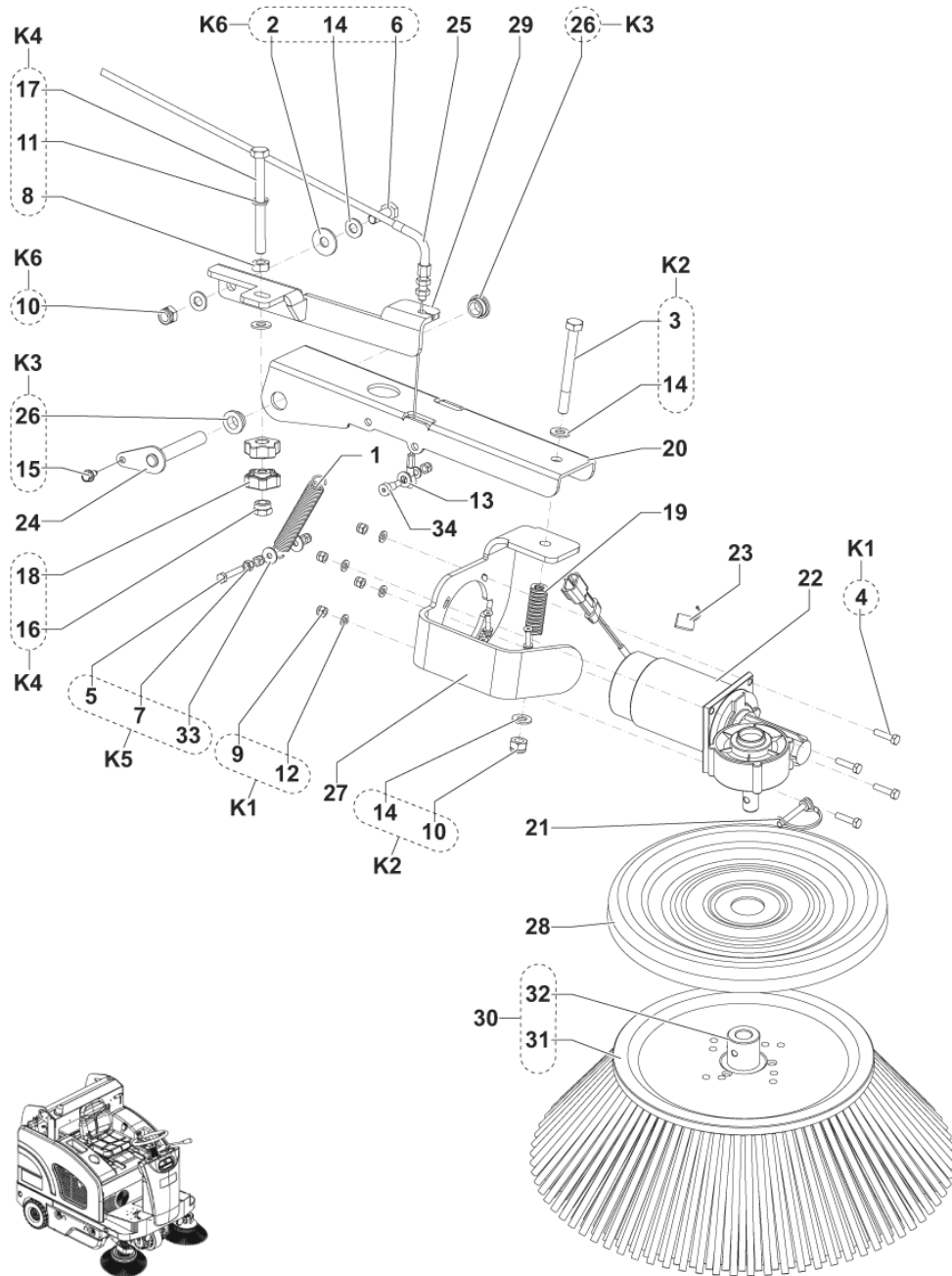
2017.08.28

---

Pos.	Artikel-Nr.	Menge	Variante	Notes
EOM	L08603949	1	Kohlenbürsten Kit 4pcs	
EOM	1464805000	1	PADS BRAKE KIT	
EOM	1465055000	1	PULLEY MAIN BR. MOTOR KIT	
EOM	1464982000	1	SWITCH ELECTROMAGNETIC 24V 120A	
EOM	1466171000	1	CARD DIODE PKD	

Part Notes:

[1] - SEE TSB-FC-2015-013

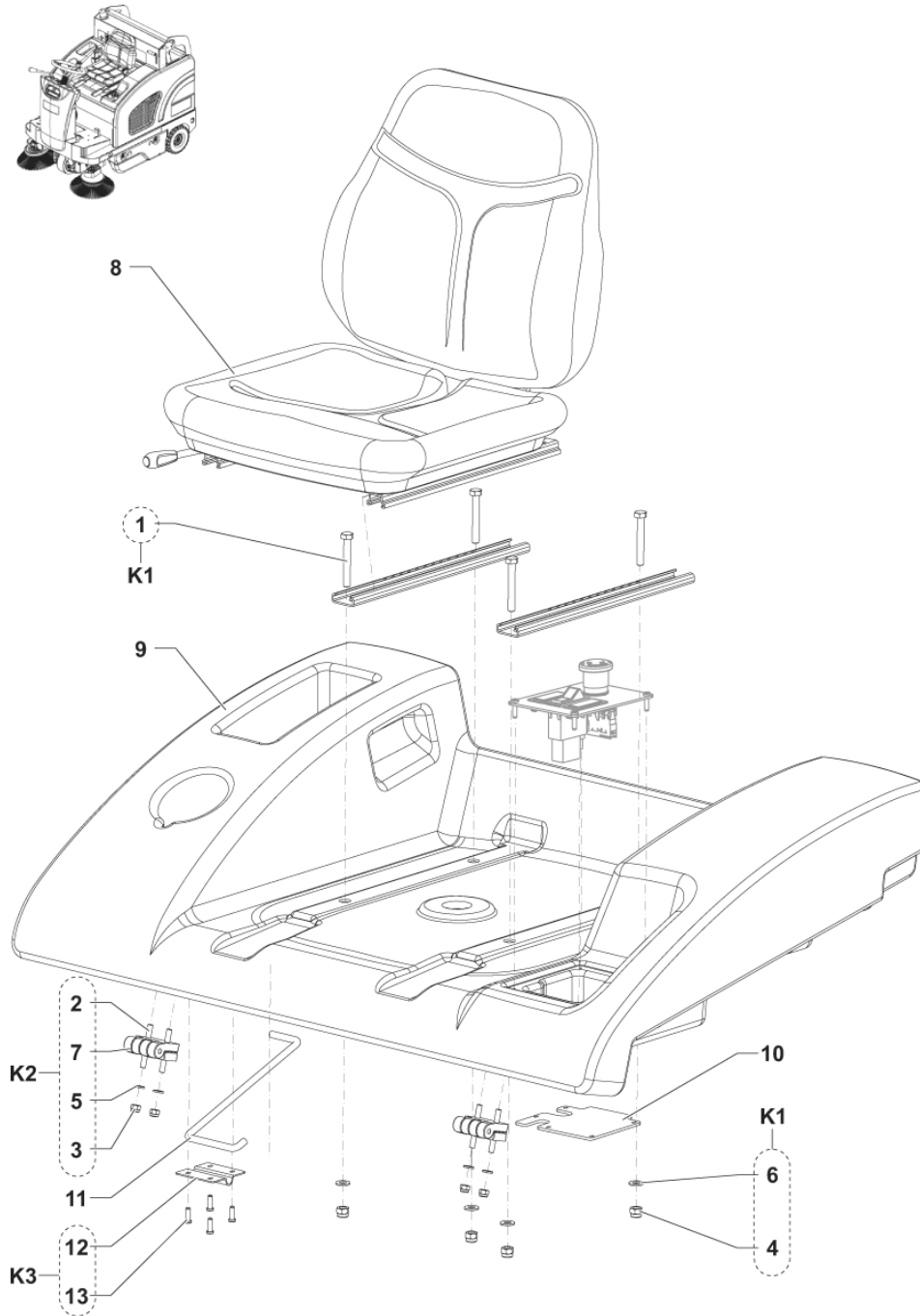


Pos.	Artikel-Nr.	Menge	Variante	Notes
1	146 0986 000	1	SPRING	
2		1	K6	
3		1	K2	
4		4	K1	
5		1	K5	
6		1	K6	
7		1	K5	
8		1	K4	
9		7	K1	
10		2	K6	
11		1	K4	
12		5	K1	
13	33023208	1	WASHER M8 UNI6592 10 PCS SET	
14		5	K2	
15		1	K3	
16		1	K4	
17		1	K4	
18		2	K4	
19	146 1317 000	1	Feder SR 1500 HD	
20	1463903000	1	LEVER SIDE BROOM LIFTING	
21	1463960000	1	CLIP WITH PIN	
22	1464241000	1	GEARMOTOR FOR RIGHT SIDE BROOM	
23	1467083000	1	CARBON BRUSH 2 PCS SET	
24	1464412000	1	PIN FOR SIDE BROOM ARM	
25	1464414000	1	CABLE RIGHT SIDE BROOM	
26		2	K3	
27	1464464000	1	BRACKET FOR RIGHT SIDE BROOM	
28	1464499000	1	COVER SIDE BROOM	
29	1464507000	1	BRACKET RIGHT SIDE BROOM ADJUSTMENT	
30	1465318000	1	Seitenbesen Stahlmix/PP 1,3 280x450 mm	
30	1465320000	1	Seitenbesen PP 1,0 schwarz, 280x450 mm	[1]
30	1465319000	1	Seitenbesen Naturb./Mix 5, 280x450 mm	[1]
31		1	30	
32	1464843000	1	HUB FOR SIDE BROOM	
33		2	K5	
34	1464243000	1	SCREW SHOULDER 8X12 M6 ISO7379	
K1	1465046000	1	HARDWARE GEARMOTOR KIT	
K2	1465047000	1	HARDWARE GEARMOTOR SUPPORT KIT	
K3	1465048000	1	PIN FOR SIDE BROOM SUPPORT KIT	
K4	1465049000	1	KNOB SIDE BROOM KIT	
K5	1465050000	1	HARDWARE SIDE BROOM SPRING SUPPORT KIT	
K6	1465051000	1	HARDWARE SIDE BROOM ADJ. BRACKET KIT	

## Part Notes:

[1] - OPTIONAL





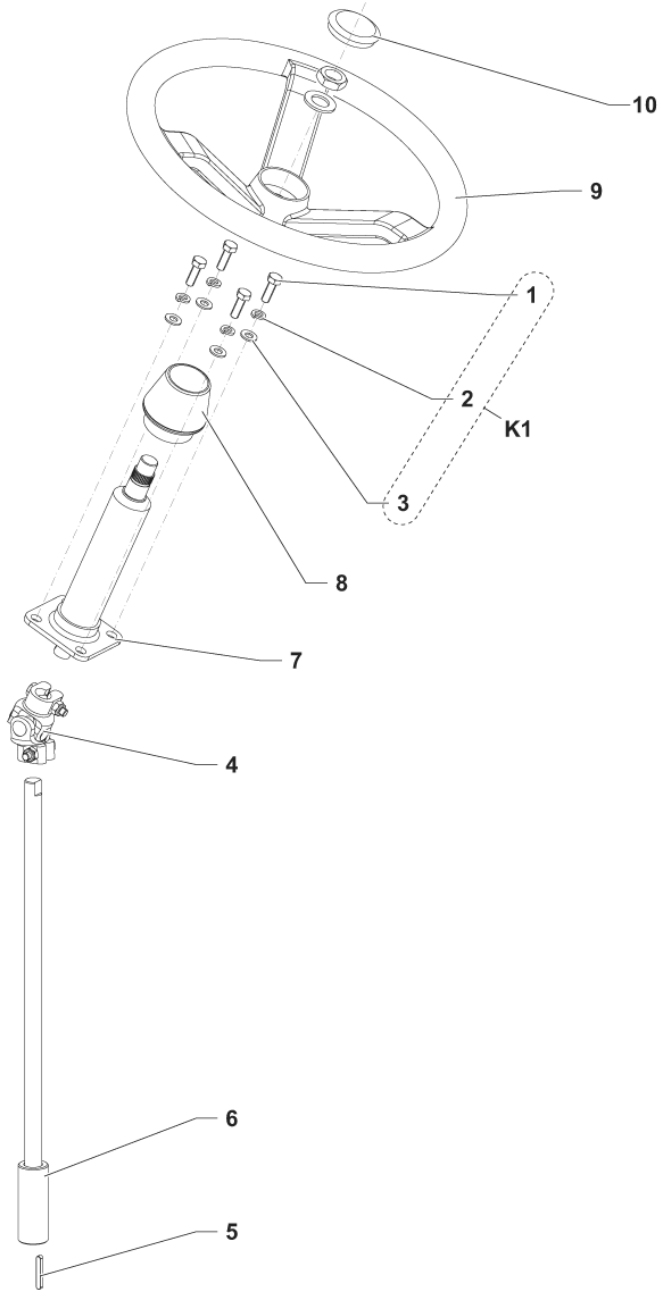
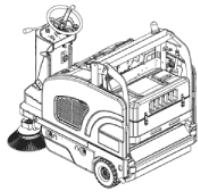
# SEAT COVER

SW4000 LPG NIL

2015.05.19

2017.06.28

Pos.	Artikel-Nr.	Menge	Variante	Notes
1		4	K1	
2		8	K2	
3		4	K2	
4		4	K1	
5		4	K2	
6		4	K1	
7	33009531	2	ScharnierK2	
8	1467028000	1	SEAT PKD	
9	1463908000	1	SUPPORT SEAT	
10	1464975000	1	COVER HARNESS	
11	1464286000	1	BAR SAFETY F SEAT BONNET	
12		1	K3	
13		4	K3	
K1	1465043000	1	HARDWARE FOR SEAT KIT	
K2	1465041000	1	HINGE FOR BONNET KIT	
K3	1465042000	1	SUPPORT F SAFETY BAR KIT	



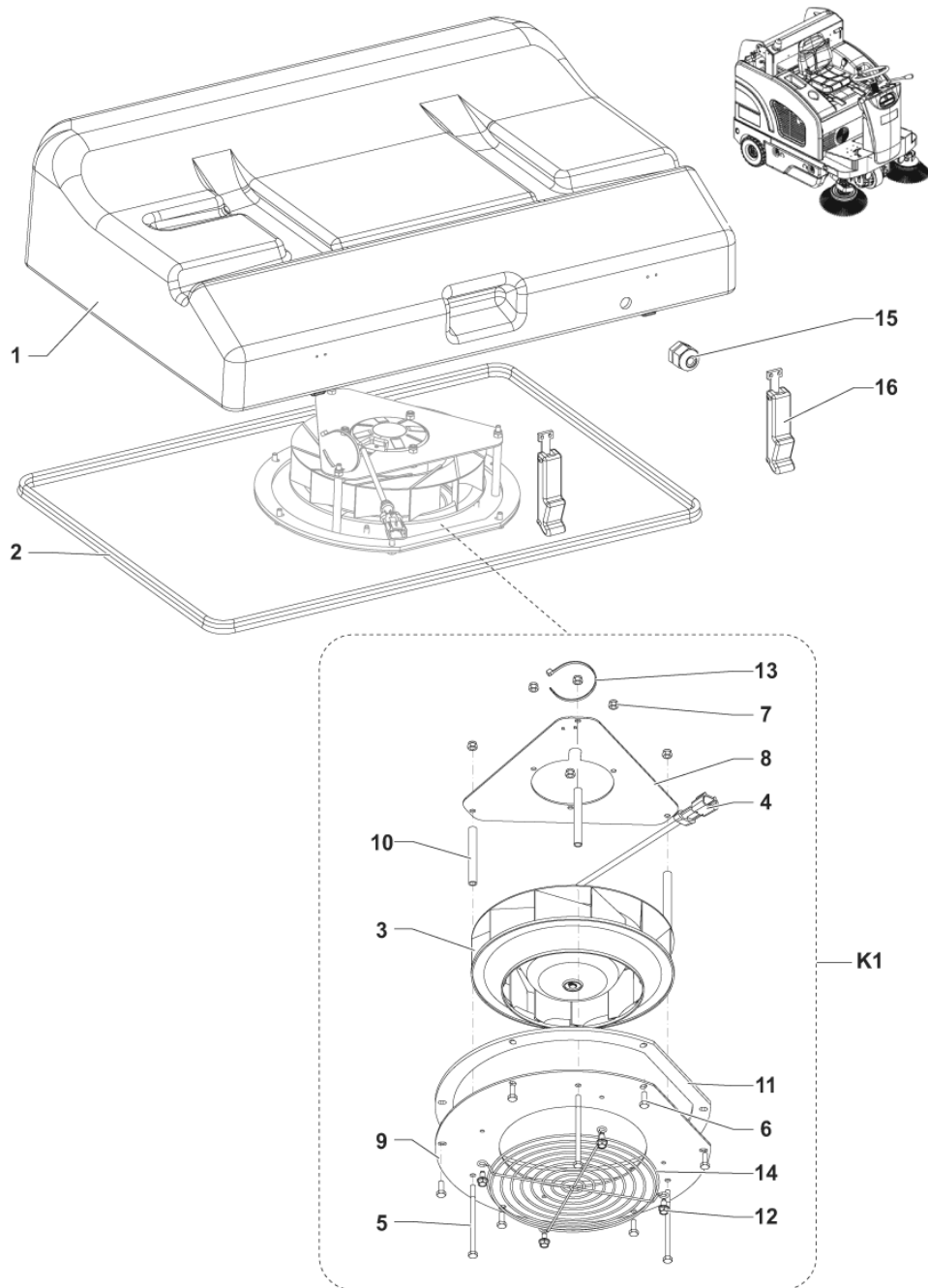
# STEERING COLUMN

SW4000 LPG NIL

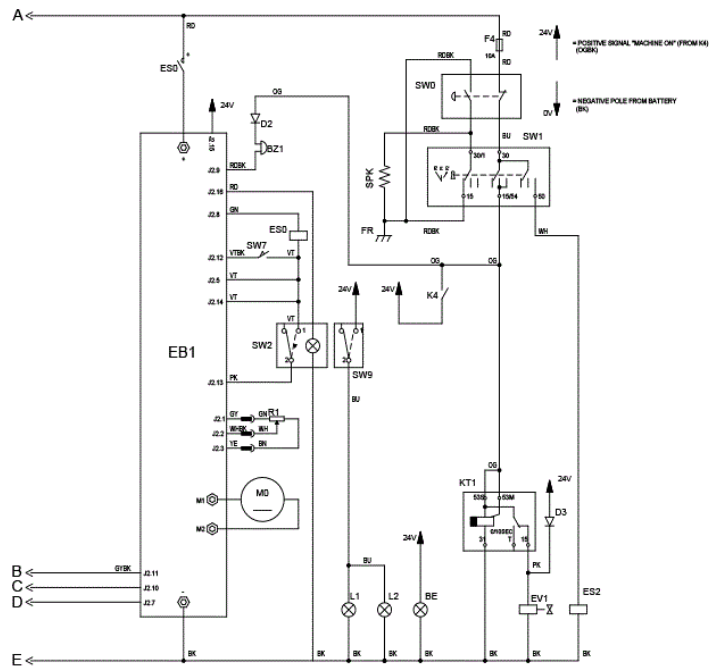
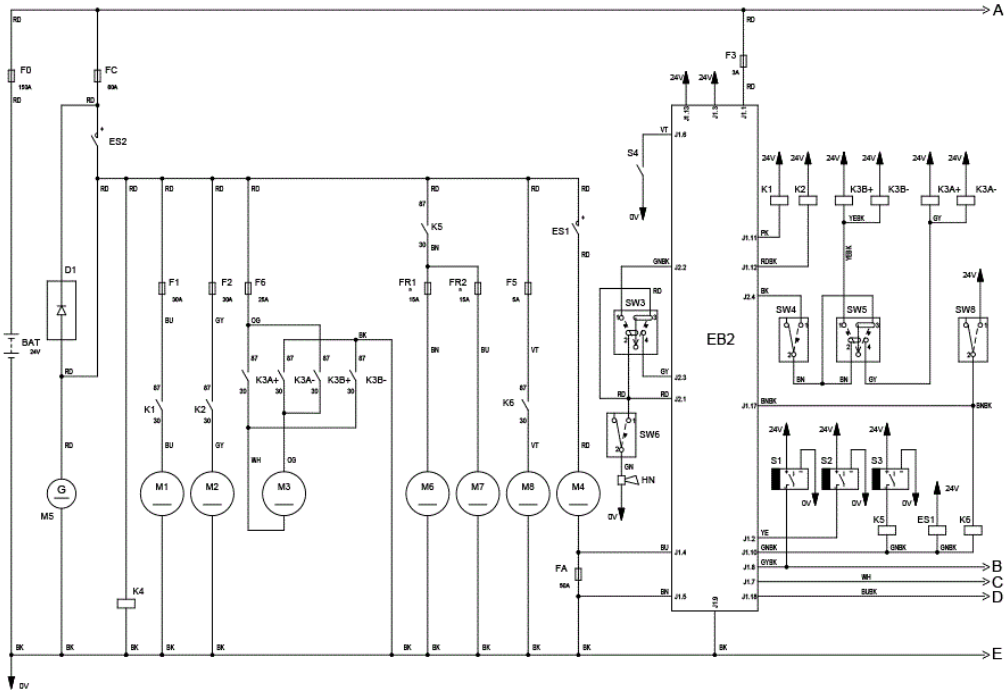
2015.05.19

2016.04.13

Pos.	Artikel-Nr.	Menge	Variante	Notes
1		4	K1	
2		4	K1	
3		4	K1	
4	1466319000	1	JOINT UNIVERSAL D.17 PKD	
5	146 0830 000	1	Keil 5X5X36 UNI6604A	
6	1463895000	1	SHAFT STEERING	
7	1464136000	1	COLUMN STEERING	
8	1467055000	1	COVER F STEERING COLUMN SIP	
9	1467048000	1	WHEEL STEERING D.362 SIP	
10	1467031000	1	CAP PKD	
K1	1465071000	1	HARDWARE STEERING COLUMN KIT	



Pos.	Artikel-Nr.	Menge	Variante	Notes
1	1464190000	1	CONTAINER VACUUM MOTOR	
2	1464198000	1	GASKET BULB RUBBER L.2200MM PKD	
3	1467040000	1	FAN RADIAL 24V SIP	
4		1	K1	
5		3	K1	
6		6	K1	
7		6	K1	
8		1	K1	
9		1	K1	
10		3	K1	
11		1	K1	
12		4	K1	
13		1	K1	
14		1	K1	
15	146 1892 000	1	CLAMP CABLE	
16	1467042000	4	LATCH RUBBER PKD	
K1	1464927000	1	FAN RADIAL 24V KIT	



Pos.	Artikel-Nr.	Menge	Variante	Notes
BAT	1467085000		BATTERY START 12V 77 AH PKD	
BZ1	909 6126 000		Warnton	
BE	1464948000		Warnleuchte	
D1	1466171000		CARD DIODE PKD	
EB1	1466210000		CONTROLLER DRIVE WHEEL PKD	
EB2	1466211000		CARD ELECTRONIC CONTROL PANEL PKD	
ES0	1464982000		SWITCH ELECTROMAGNETIC 24V 120A	
ES1	9097208000		Relais	
ES2	9097208000		Relais	
EV1	1465633000		SOLENOID VALVE LPG/CNG 12V 8W KIT	
FA	145 9854 000		Sicherung 50A	
FC	1464345000		FUSE BLADE 80A	
F0	146 0840 000		Sicherung 150A	
F1	145 8513 000		FUSE BLADE 30A UL	
F2	145 8513 000		FUSE BLADE 30A UL	
F3	9100000878		FUSE BLADE 3A PKD	
F4	1467034000		FUSE BLADE 10A PKD	
F5	145 9852 000		FUSE BLADE 5A UL	
F6	145 8513 000		FUSE BLADE 30A UL	
FR1	1464336000		Sicherungsautomat 15A	
FR2	1464336000		Sicherungsautomat 15A	
HN	1467032000		HORN 24V SIP	
K1	909 6622 000		Relais 24 V 40 A	
K2	909 6622 000		Relais 24 V 40 A	
K3A+,-	909 6622 000		Relais 24 V 40 A	
K3B+,-	909 6622 000		Relais 24 V 40 A	
K4	1464289000		Relais SR 1301 24V20/30A	
K5	1464289000		Relais SR 1301 24V20/30A	
K6	1464289000		Relais SR 1301 24V20/30A	
KT1	33019774		TIMER FOR SOLENOID VALVE	
L1, L2	33019229		Frontscheinwerfer	[1]
M0	1464913000		ANTRIEBSRAD KOMPLETT	
M1	1467040000		FAN RADIAL 24V SIP	
M2	145 5539 000		Motor Filtershak.	
M3	1465177000		GEARCASE HYDRAULIC 12V-24V	
M4	1467562000		MOTOR MAIN BROOM 24V 600W SIP	
M5	1467472000		DYNAMOTOR MP135 1400W PKD	
M6	1464241000		GEARMOTOR FOR RIGHT SIDE BROOM	
M7	1464242000		GEARMOTOR LEFT SIDE BROOM	
M8	1465647000		PUMP WATER KIT	
R1	1464425000		ELEKTRONISCHES GASPEDAL	
S1	1467062000		SWITCH BACK UP PROXIMITY PKD	
S2	1467062000		SWITCH BACK UP PROXIMITY PKD	
S3	1467062000		SWITCH BACK UP PROXIMITY PKD	
S4	1466325000		SENSOR LEVEL KIT	
S4	33022290		SWITCH PRESSURE 1.1 BAR PKD	
SPK	1467159000		SPARK PLUG NGK R BPR6ES PKD	
SW0	1466683000		Sicherheitsschalter	
SW1	33020442		Schlüsselschalter	
SW2	1465400000		SWITCH FW RW KIT	
SW3	146 0846 000		Schalter f. SR1300H B	
SW4	1465399000		SWITCH HOPPER LEAD KIT	
SW5	1465398000		SWITCH HOPPER RAISING KIT	
SW6	146 0845 000		Schalter	
SW8	1465401000		SWITCH DUST GUARD KIT	
SW9	146 1167 000		Schalter	



Part Notes:

[1] - SEE TSB-FC-2015-013

