

 **Nilfisk**<sup>®</sup>

 07351-5758060

[kontakt@nilfisk-alto-shop.com](mailto:kontakt@nilfisk-alto-shop.com)



 **Heine**  
Vertriebs-GmbH

**Preisabfrage bzw. Bestellungen der Artikel im Shop unter**

**[www.nilfisk-alto-shop.com](http://www.nilfisk-alto-shop.com)**

**einfach die Artikelnummer in die Suchmaske eingeben**

**(Bitte die Artikelnummer ohne Leerzeichen eingeben)**



## PART LIST

---

DS350-EU & DS350-UK

HS350-EU & HS350-UK



Company information:

[WWW.vipercleaning.eu](http://WWW.vipercleaning.eu)

[Info-eu@vipercleaning.com](mailto:Info-eu@vipercleaning.com)

## TABLE OF CONTENTS

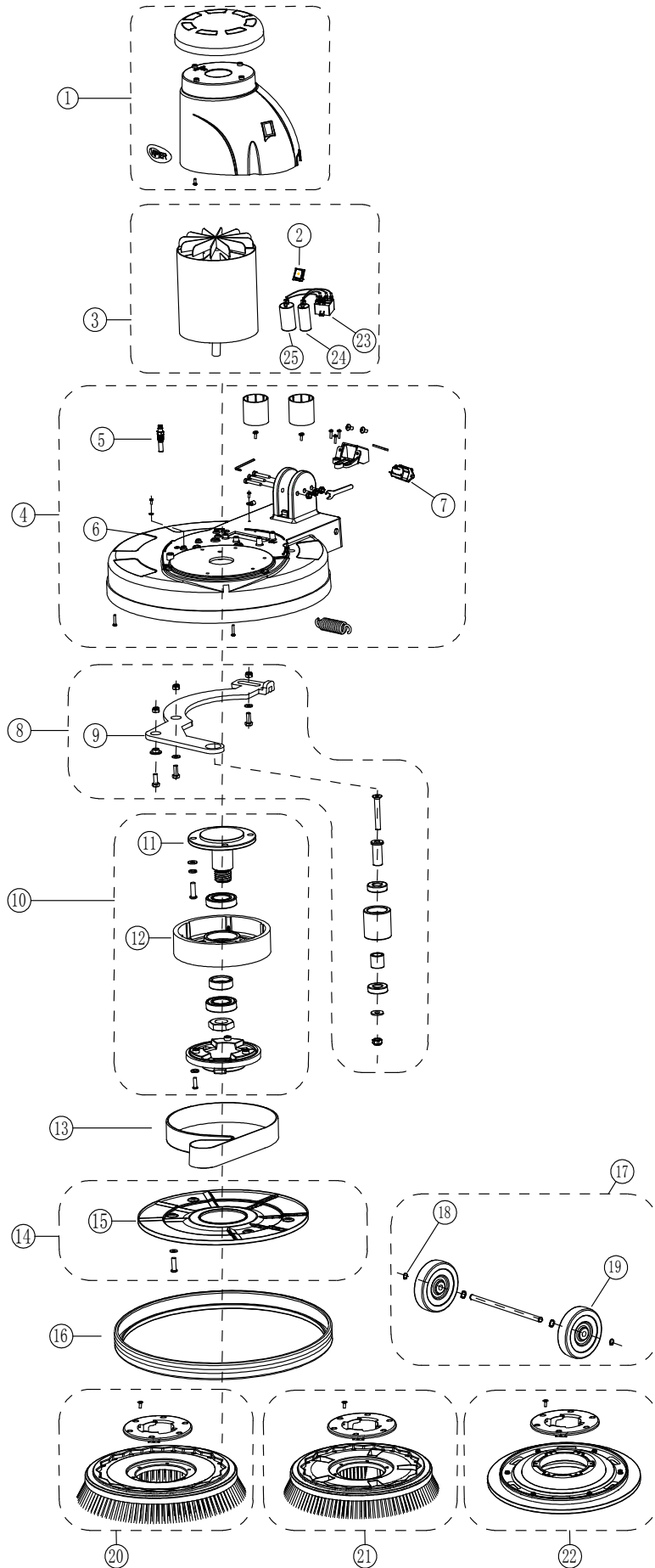
BASE ASSEMBLY	PAGE 3 --- 4
HANDLE ASSEMBLY	PAGE 5 --- 7
WEAR AND TEAR PART	PAGE 8
WIRING DIAGRAM	PAGE 9

### WHEN ORDERING PARTS

- \* Use the numbers from the "PART NO." columns in this parts list .
- \* Specify the model and serial number of the machine.
- \* Use the space below to record the model and serial number for future reference.

Model

Serial No.



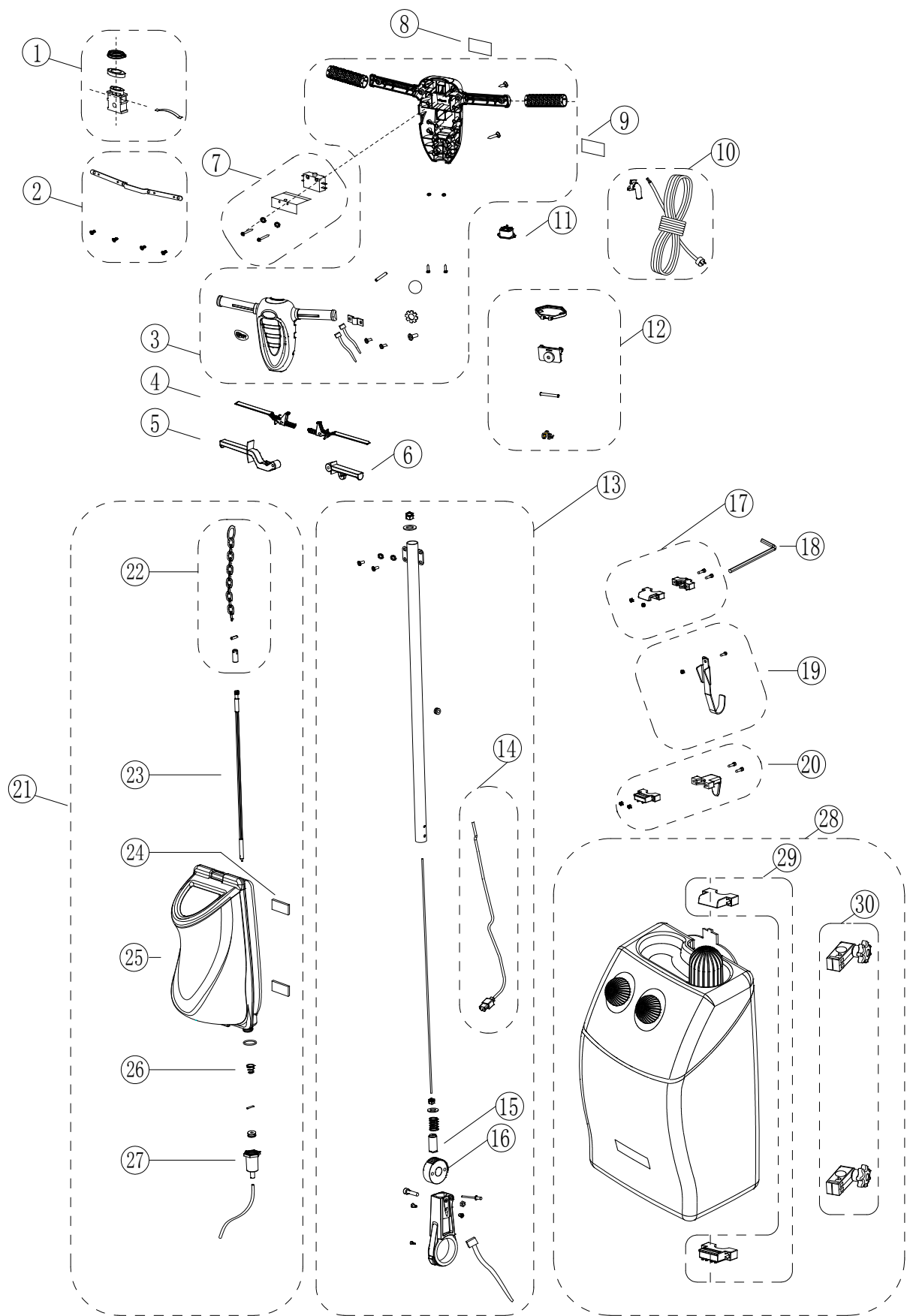
Item	Part No.	Description	Note	Qty
1	VF75488	MOTOR HOUSING KIT	A,B	1
1	VF75488HS	MOTOR HOUSING KIT	C,D	1
2	NOT SUITABLE	NOT SUITABLE	A,B	1
2	GV70103-B	SWICH PLUGGING	C,D	1
3	VF75211	DUAL SPEED MOTOR	A,B	1
3	VF75210	HIGH SPEED MOTOR	C,D	1
4	VF75489	DS MAIN FRAME KIT	A,B	1
4	VF75489HS	HS MAIN FRAME KIT	C,D	1
5	VF75222	HOSE CONNECTING	A,B	1
5	NOT SUITABLE	NOT SUITABLE	C,D	
6	VF75225DS	BASE	A,B	1
6	VF75225HS	BASE	C,D	1
7	VF75245	PLUG ASSEMBLY		1
8	VF75490	CONNECTING PLATE KIT		1
9	VF75229	CONNECTING PLATE		1
10	VF75491	PULLEY KIT		1
11	VF75228	SHAFT		1
12	VF75226	PULLEY		1
13	VF90408	BELT		1
14	VF75492	COVER KIT	A,B	1
14	VF75492HS	COVER KIT	C,D	1
15	VF75221DS	COVER	A,B	1
15	VF75221HS	COVER	C,D	1
16	VF75246	BUMPER		1
17	VF75435	TRANSPORT WHEEL KIT		1
18	VF13520	SNAP RING		2
19	VF75214	WHEEL		2
20	VF75434	BRUSH KIT	A,B	1
20	NOT SUITABLE	NOT SUITABLE	C,D	
21	VF75420	CARPET BRUSH KIT	A,B OPTIONAL	1
21	NOT SUITABLE	NOT SUITABLE	C,D	
22	VF75493	PAD HOLDER KIT		1
23	VF89041-3	START RELAY		1
24	VF75211-1	RUNNING CAPACITOR	A,B	1
24	VF75210-1	RUNNING CAPACITOR	C,D	1
25	VF75211-2	STARING CAPACITOR	A,B	1
25	VF75210-2	STARTING CAPACITOR	C,D	1

**A = for DS350-EU**

**B = for DS350-UK**

**C = for HS350-EU**

**D = for HS350-UK**



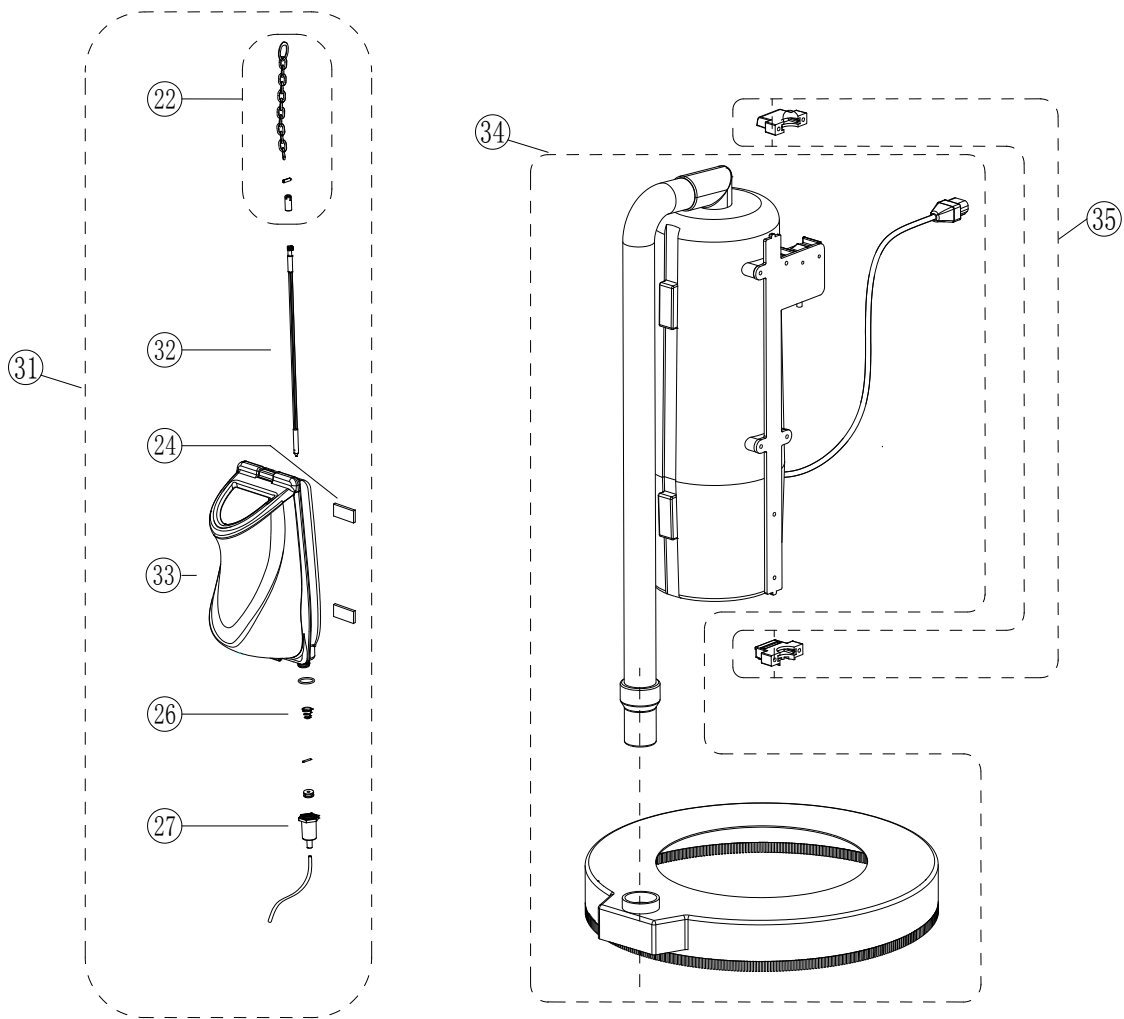
Item	Part No.	Description	Note	Qty
1	VF75406	SAFETY LOCK BUTTON KIT		1
2	VF75407	SUPPORT BRACKET KIT		1
3	VF75409	LS160HD HANDLE BOX KIT		1
4	VF75103	SWITCH TRIGGER		2
5	VF75105	LEVELING ROD		1
6	VF75106	LEVER,SOLUTION		1
7	VF75410	SWITCH KIT		1
8	VF75238-DS-EU	1500W EU LABEL	A	1
8	VF75238-DS-UK	1500/1800W UK LABEL	B	1
8	VF75238-HS-EU	1800W EU LABEL	C	1
8	VF75238-HS-UK	1500/1800W UK LABEL	D	1
9	VF75141	POWER LABEL, 1800W,UK		1
10	VF75126-EU	POWER CORD	A,C	1
10	VF75126-UK	POWER CORD	B,D	1
11	VF75122	PLUG ASSEMBLY		1
12	VF75411	SOCKET COVER KIT		1
13	VF75412	TUBE KIT		1
14	VF75138	POWER CORD		1
15	VF75111	INSERT		1
16	VF75112	GEAR		1
17	VF75413	TOP BRACKET KIT		1
18	VF75315	WRENCH		1
19	VF75417	HOOK KIT		1
20	VF75414	BOTTOM BRACKET KIT		1
21	VF75415	TANK KIT	A,B	1
21	NOT SUITABLE	NOT SUITABLE	C,D	
22	VF75416	CHAIN ASSEMBLY	A,B	1
23	VF75306	PULL ROD	A,B	1
24	VF75316	EVA	A,B	2
25	VF75117	TANK	A,B	1
26	VF75310	SPRING	A,B	1
27	VF75305	VALVE BODY	A,B	1
28	DF-100A-EU	FOAM GENERATOR	A,B OPTIONAL	1
28	NOT SUITABLE	NOT SUITABLE	C,D	
29	VF75418	BRACKET KIT	A,B OPTIONAL	1
30	VF75419	BRACKET KIT	A,B OPTIONAL	1

**A = for DS350-EU**

**B = for DS350-UK**

**C = for HS350-EU**

**D = for HS350-UK**



Item	Part No.	Description	Note	Qty
31	VF75423	14LL TANK KIT	A,B OPTIONAL	1
31	NOT SUITABLE	NOT SUITABLE	C,D	
32	VF75237	PULL ROD	A,B OPTIONAL	1
32	NOT SUITABLE	NOT SUITABLE	C,D	
33	VF75236	14L TANK	A,B OPTIONAL	1
33	NOT SUITABLE	NOT SUITABLE	C,D	
34	56381571	DUST COLLECTION KIT	OPTIONAL	1
35	VF75418	BRACKET KIT	OPTIONAL	1

**A = for DS350-EU**  
**B = for DS350-UK**  
**C = for HS350-EU**  
**D = for HS350-UK**

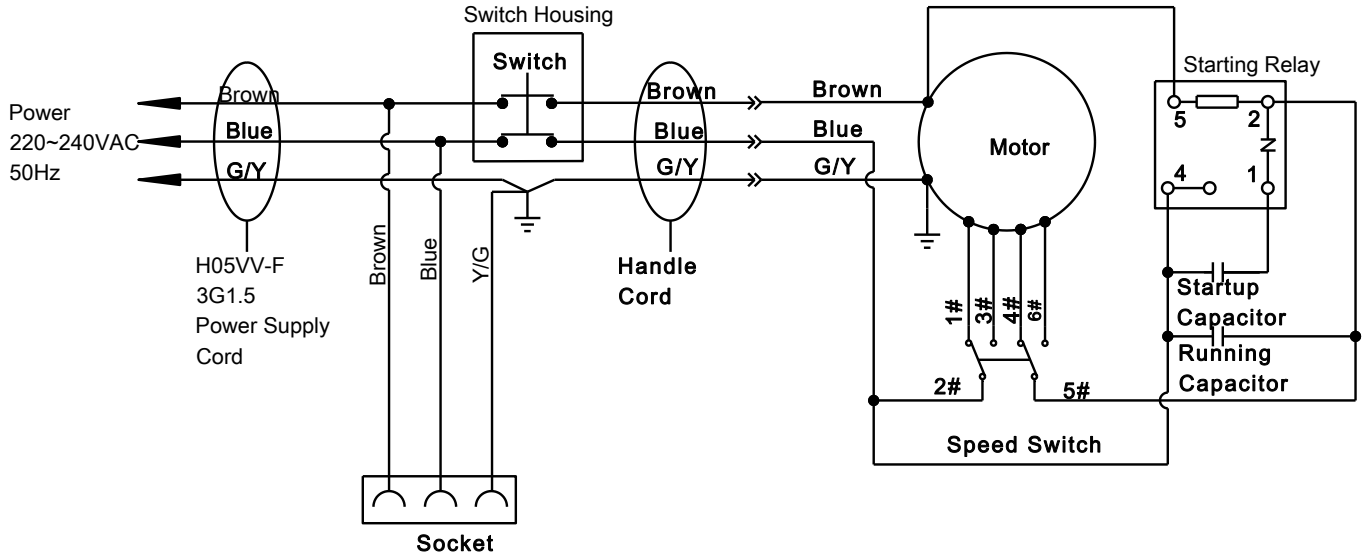


## WEAR AND TEAR PARTS

<b>Item</b>	<b>Part No.</b>	<b>Description</b>	<b>Qty</b>
1	VF75434	BRUSH KIT	1
2	VF75214	WHEEL	2
3	VF90408	BELT	1
4	VF75103	SWITCH TRIGGER	2
5	VF75105	LEVELING ROD	1
6	VF75106	LEVER,SOLUTION	1
7	VF75306	PULL ROD	1
8	VF75413	TOP BRACKET KIT	1
9	VF75414	BOTTOM BRACKET KIT	1

## Wiring Diagram

### 1. DS350 machine wiring diagram



### 2. HS350 machine wiring diagram

