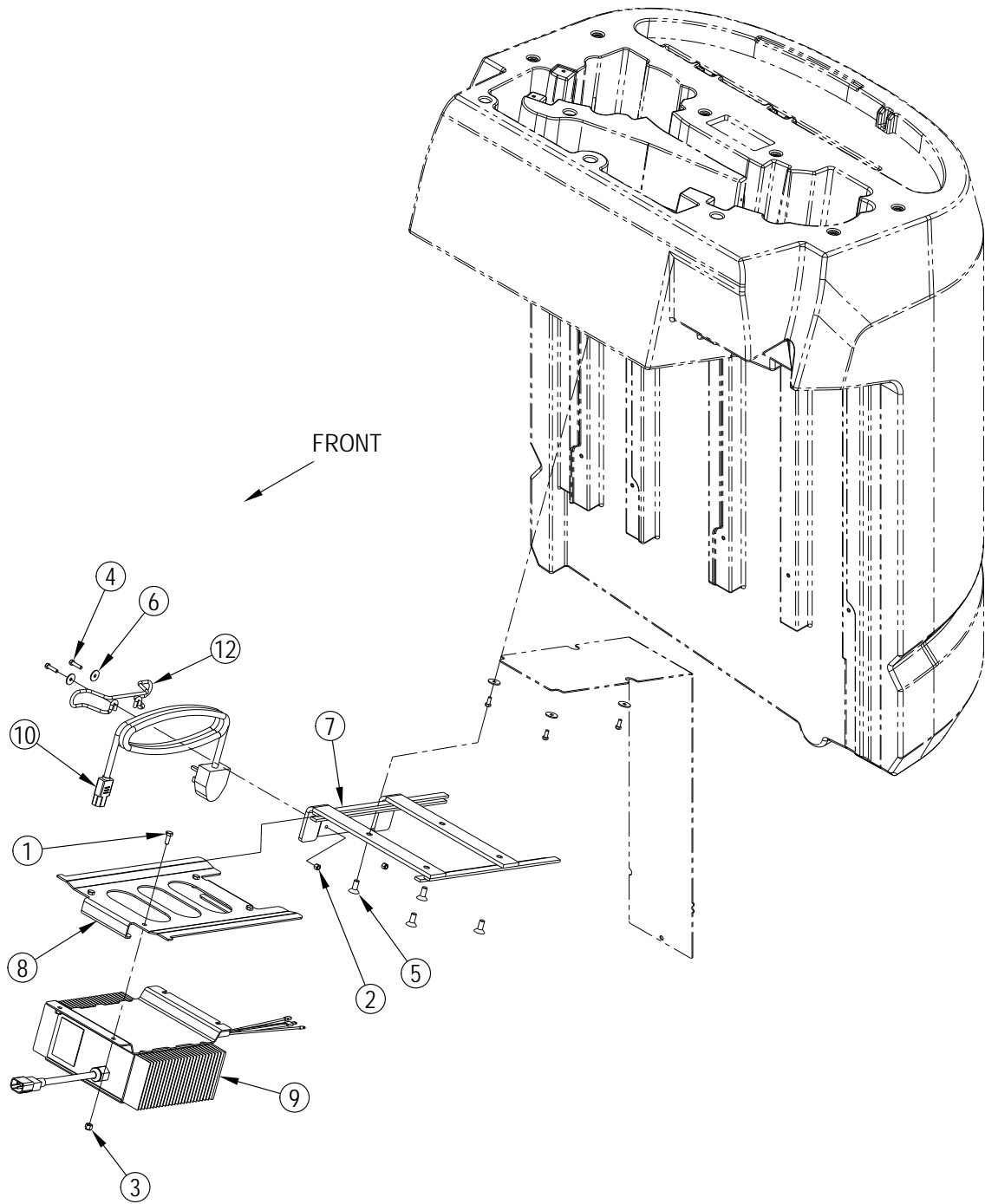


Pos.	Artikel-Nr.	Menge	Variante	Notes
1		1	Pipe Clamp--M10xm16	[1]
2		3	Washer, Flat 6,4x12,5	[2]
3		4	Scr, Pan Phil Thd Form 6-32 X .31	[2]
4	56104190	1	Ecoflex-Behälter 5 Liter	
5	56104189	1	INSERT-DRY BRAKE	
6	56104408	1	CHEMICAL BOTTLE ASSY	
7	56315517	1	EDS Tankdeckel zu BA 551Cap, Raw	
8	56315690	1	CAP 38MM BUTTRESS	
9	56110742	2	Chemie Pumpe 2	
10	56116726	1	BRACKET WELDMENT	
11		1	Hose 1/8 Id X 32 Lg	[1]
12		2	Decal-SC6000-Ecoflex-Nilfisk	[3]
13		1	Decal-Chemical Ratio	[3]
14		1	Reducer, Barb	[1]
15		1	Hose, Chem Resistant, 14	[1]
16	56315523	1	Deckel EDS-Schwimmer	
17		4	Hose, Chem Resistant. 2.00	[1]
18		2	Fitting, Y, Barb, .125	[1]
19		6	Clamp Black	[2]
20	9100001912	4	WASHER PLAIN M4X9SS ISO7089 10 PCS SET	
21		3	Nut, Hex Nyl Loc Thin M6 Ss	[2]
			Service Kits	
K1	56116999	1	DECAL KIT-ECOFLEX	
K2	56116940	1	HOSE KIT-ECOFLEX	
K3	56116941	1	HARDWARE KIT-ECOFLEX	

Part Notes:

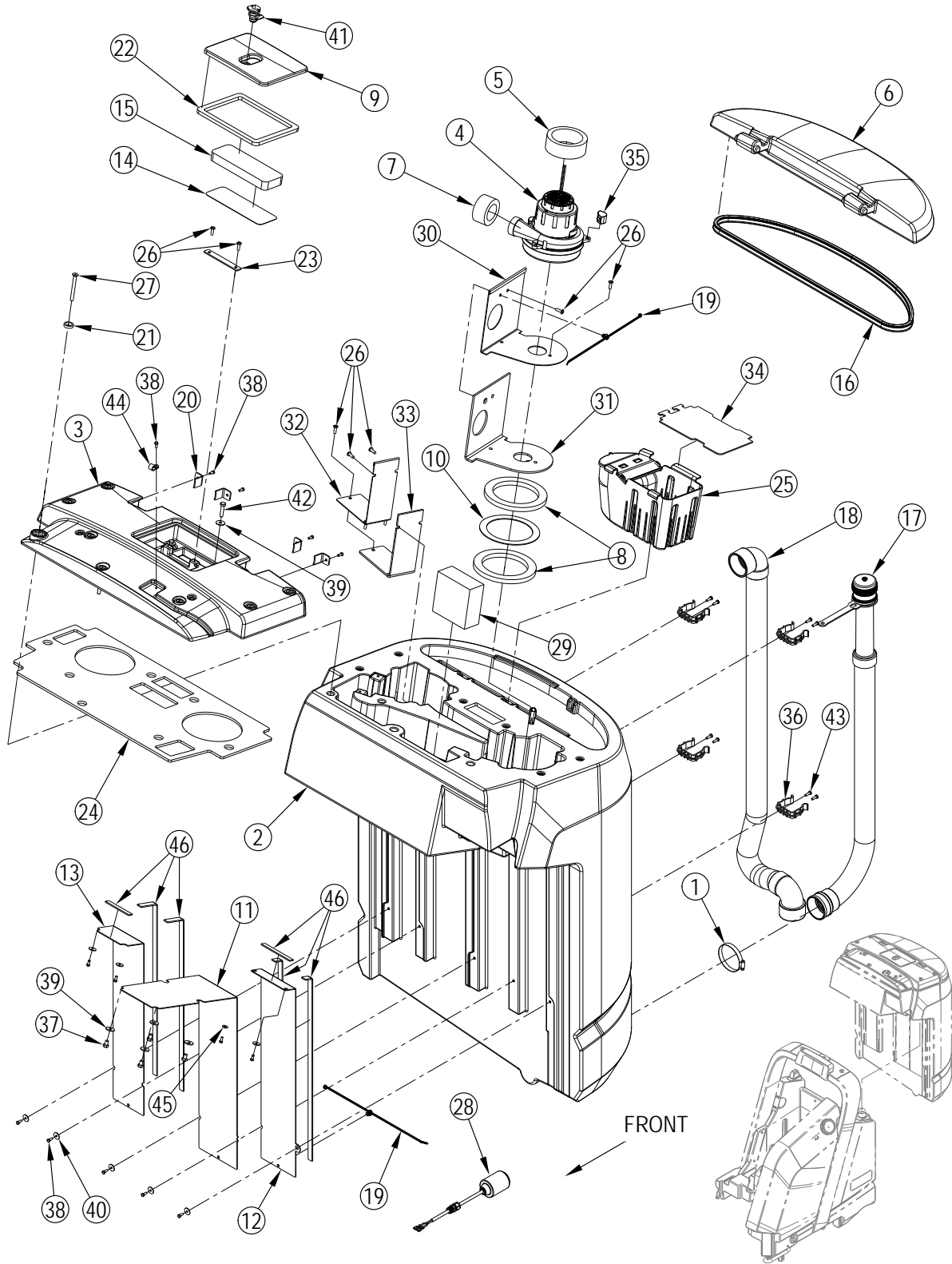
- [1] - K2
 [2] - K3
 [3] - K1



Pos.	Artikel-Nr.	Menge	Variante	Notes
1		4	Scr, Hex Thd To Hd M6-1 X 16mm	[1]
2		2	Nut-Hex Nyl Loc M5-0.8	[1]
3		4	Nut-Hex Nyl Loc M6-1	[1]
4		2	Scr-Hex M5-0.8 X 20mm	[1]
5		4	Scr-Fit Soc M8-1.25 X 20mm	[1]
6		2	Wsh-Fit Ss .204 X .750 X .050	[1]
7	56116628	1	MOUNT WELDT-ONBOARD CHARGER	
8	56116631	1	BRACKET-ONBOARD CHARGER MOUNT	
9	56315204	1	CHARGER ON-BOARD 36V	
10	56383389	1	CORD-CHARGER UK	
10	56383388	1	Ladegerät	
11	1466317000	1	SUPPORT CABLE KIT	
			Service Kits	
K1	56116947	1	HARDWARE KIT-ONBOARD CHARGER	

Part Notes:

[1] - K1

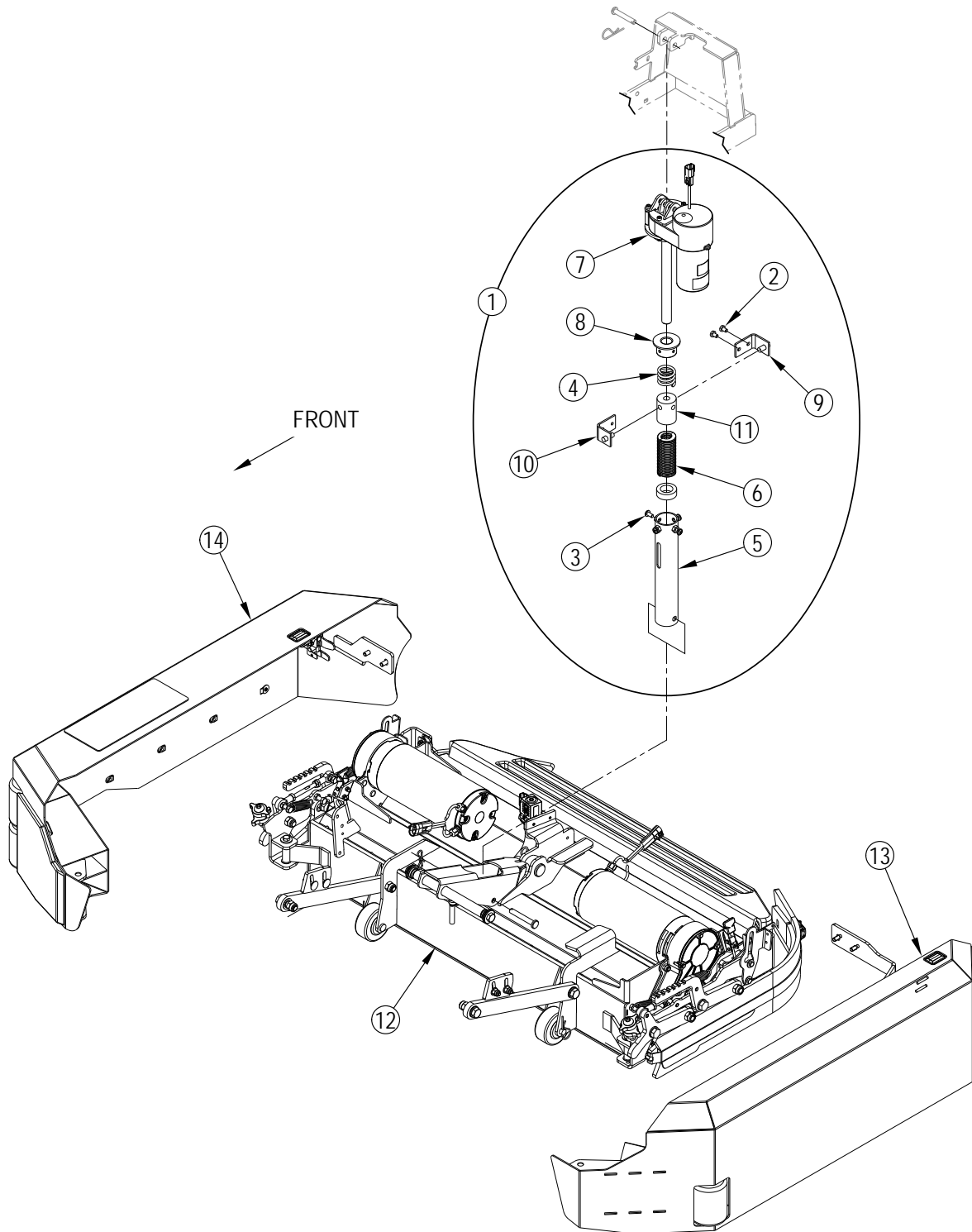


Pos.	Artikel-Nr.	Menge	Variante	Notes
1	33003458	1	Briede 12/ 60-80	
2	56116093	1	TANK-RECOVERY	
3	56116104	1	COVER-VACUUM MOTOR	
4	56116105	1	MOTOR-VACUUM 36VDC	
	56116107	1	CARBON BRUSHES	
5		1	Seal-Inlet	[1]
6	56116111	1	COVER-RECOVERY TANK	[2]
7		1	Seal-Exhaust	[1]
8		2	Seal-Vacuum Motor Inlet	[1]
9		1	Cover-Filter	[3]
10		1	Plate-Gasket Mount	[1]
11		1	Panel-Exhaust	[4]
12		1	Panel-Vacuum Motor Exhaust	[4]
13		1	Panel-Vacuum Exhaust-Dual	[4]
14	56116392	1	SCREEN-FILTER	
15	56116394	1	FILTER-VACUUM INLET	
16	56116486	1	SEAL-RECOVERY COVER	
17	56116500	1	DRAIN HOSE ASSEMBLY	
18	56116537	1	SQUEEGEE HOSE ASSEMBLY	
19		2	Cable Tie-Mount	[5]
20		4	Retainer-Hinge	[6]
21		8	Washer-Cosmetic-Ss-M8	[7]
22		1	Gasket-Vacuum Filter Cover	[3]
23		1	Catch-Cover	[3]
24	56116698	1	GASKET-VACUUM COVER	
25	56116722	1	DEBRIS TRAY ASSEMBLY	
26		10	Screw M6x20 Wn1451 Black Zn	[8]
27		8	Screw M8x80 Din7991 Ss Black	[7]
28	56116842	1	SWITCH-FLOAT MECHANICAL 120V	
29	56118005	1	SEAL-VACUUM BLOCK	[2]
30		1	Plate-Seal	[2]
31		1	Gasket-Seal Vacuum	[2]
32		1	Plate-Seal Vacuum	[2]
33		1	Gasket-Vacuum	[2]
34	56118017	1	FLAP-DEBRIS TRAY	
35		3	Mount, Vibration	[1]
36		4	Clamp, Plastic	[9]
37		4	Screw M8x12 Hex Hd F/Thd Ss	[4]
38		14	Screw M5x12 Hex Hd F/Thd	[10]
39		6	Washer 8x24x2 Uni6593 Ss	[5]
40		9	Washer Flat XI 5.5x20.0x1.6	[11]
41	1464896000	1	LATCH WITH FOLD AWAY	[3]
42		2	Screw M8x35 Hex Hd F/Thd Ss	[7]
43		8	Scr,Pan Phil M5x16 Ss	[9]
44		1	Clamp, Cable Ø12.7	[7]
45		1	Washer	
46	1463175000	1	GASKET ADHESIVE 15X3 -SKEIN	[12]
			Service Kits	
K1	56116920	1	PANEL KIT-RECOVERY TANK	
K2	56116988	1	HOSE CLIP KIT	
K3	56116921	1	DOOR RETAINER KIT	
K4	56116989	1	SHUT OFF PLATE KIT-SINGLE	
K5	56116922	1	VACUUM MOTOR SEAL KIT	
K6	56116990	1	FILTER COVER KIT	
K7	56116991	1	HARDWARE KIT-RECOVERY SYSTEM	

Part Notes:

- [1] - K5
[2] - K4

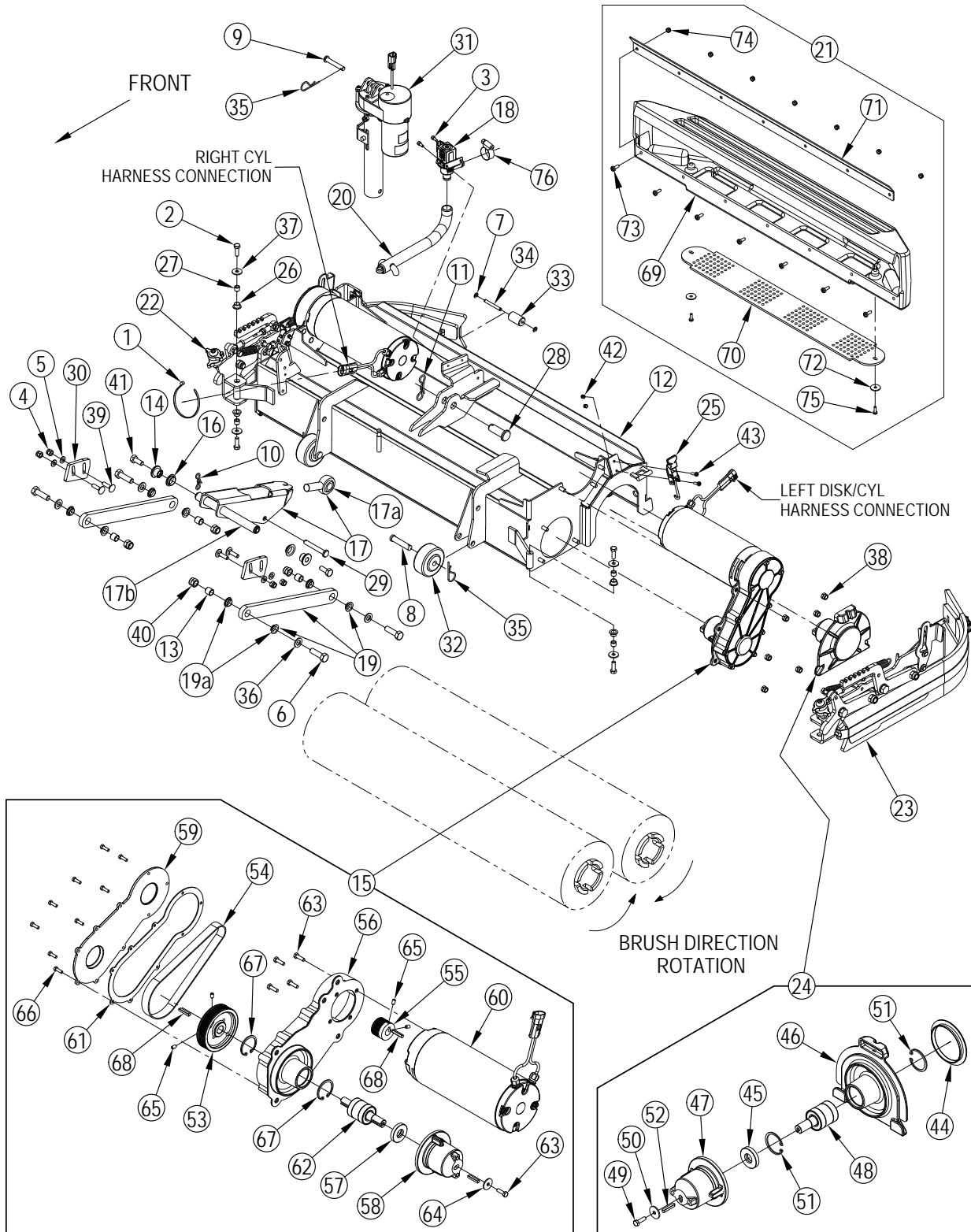
- [3] - K6
- [4] - K11
- [5] - K1,K7
- [6] - K3
- [7] - K7
- [8] - K4,K6,K7
- [9] - K2
- [10] - K1,K3,K7
- [11] - K1
- [12] - NOT FOR SALE VIA EDC



Pos.	Artikel-Nr.	Menge	Variante	Notes
1	56104288	1	ACTUATOR ASSEMBLY KIT	
2		2	Scr, Hex Thd Form 1/4-20 X0.38	[1]
3		4	Scr, Pan Phil Thd Form 1/4-20x .50	[1]
4		1	Spring-Compression 1.40x1.40in	[1]
5		1	Spring Housing Weldment	[1]
6		1	Spring-Compression-1.44x3.50 In	[1]
7	56118041	1	ACTUATOR ASSEMBLY-HEAVY DUTY	[1]
8		1	Spring Housing Guide	[1]
9		1	Nut Retainer	[1]
10		1	Nut Retainer	[1]
11	56388520	1	Spindelmutter	[1]
12		1	Cylindrical Scrub Assembly-36c	
13		1	Door Assembly-Left-40d/36c	
14		1	Door Assembly-Right-36c	
			Service Kits	
K1	56118048	1	SPRING HOUSING KIT-ACTUATOR	

Part Notes:

[1] - K1



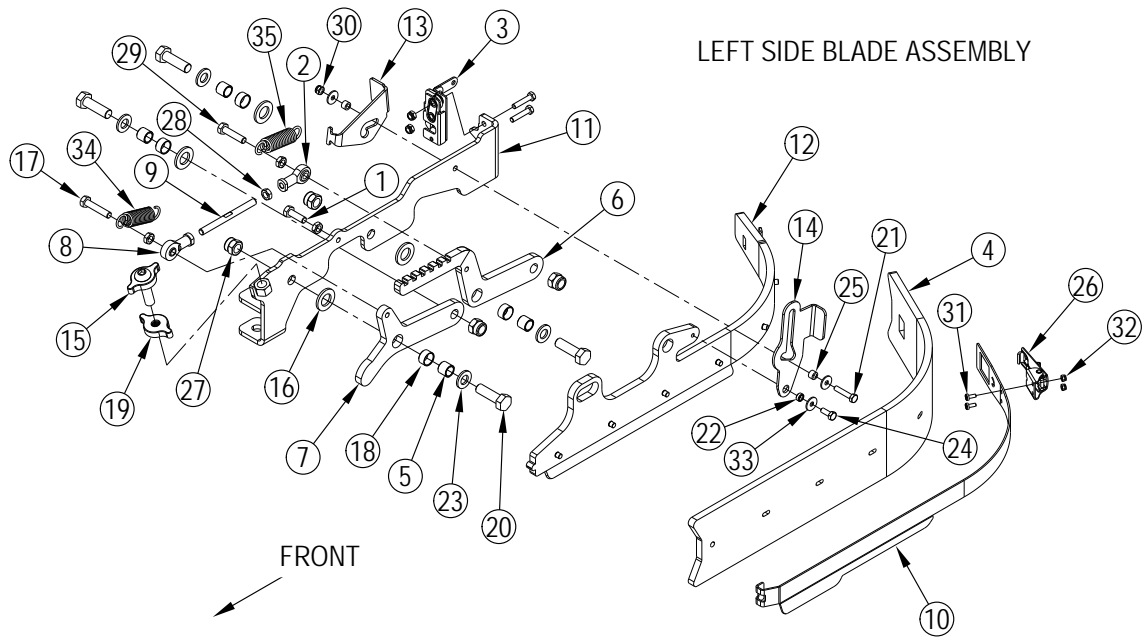
Pos.	Artikel-Nr.	Menge	Variante	Notes
1		1	Clamp 290x4.8	[1]
2		4	Screw M8x25 Hex Hd F/Thd Ss	[2]
3		2	Screw Soc. Hd M5x12 Ss	[3]
4		4	Nut, Hex Nyl Loc Hvy M8	[4]
5		4	Washer, Flat 8.4x16x1.6	[4]
6		4	Scr M12x40 Hex 10.9 Iso4017	[5]
7		4	Ring, Ret Ext Type E Reinf. 0.25 Dia	[6]
8		2	Clevis Pin	[6]
9		1	Pin-Clevis .375 X 2.25	[7]
10		1	Pin- Bow-Tie Cotter 7/16 - 1/2	[7]
11		1	Pin-Bow Tie Cotter 3/4	[8]
12	56116069	1	CYLINDRICAL SCRUB DECK WELDT	
13		4	Bushing-12.5x16x14.48mm	[5]
14		2	Bushing-Lift Arm Pivot	[8]
15		2	Cylindrical Drive Housing Assy	
16		2	Bearing-Flange-20x23x7mm	[8]
17		1	Deck Lift Arm Assembly	[8]
17a		1	Rod End-Spherical-18mm-Male	[8]
17b		1	Lift Arm Weldment	[8]
18		1	Valve-Solenoid-36vdc	[9]
19		2	Deck Trailing Arm Assembly	[5]
19a		8	Bearing-Flange-16x18x6mm	[5]
20	56116468	1	HOSE-SOLUTION FEED-CYLINDRICAL	
21	56116483	1	HOPPER ASSEMBLY-36IN	
22	56116523	1	SIDE BLADE ASSEMBLY-RIGHT	
23	56116524	1	SIDE BLADE ASSEMBLY-LEFT	
24		2	Idler Assembly	
25		2	Latch-Draw	[10]
26		4	Bearing-Flange-12x14x9mm	[2]
27		4	Bushing	[2]
28		1	Pin-Clevis 18x50 Iso2341-B	[8]
29		1	Pin-Clevis 10x70 Iso2341-B	[7]
30		2	Plate-Stop	[4]
31		1	Actuator Assembly-Complete	
32		2	Wheel 3.00 X 1.25	[6]
33		2	Roller, Rear	[6]
34		2	Pin	[6]
35		3	Hair Pin Cotter A2,5	[11]
36		4	Washer, Flat 13.0x24.0x2.5 Ss	[5]
37		4	Washer 8x24x2 Uni6593 Ss	[2]
38		12	Nut, Hex Nyl Loc M8 Ss	[12]
39		4	Screw M8x30 Carriage	[4]
40		4	Nut, Hex Nyl Loc M12 S.S.	[5]
41		2	Screw M10x25 Hex Hd F/Thd	[8]
42		4	Nut, Hex Nyl Loc Thin M5 Ss	[10]
43		4	Scr,Pan Phil M5x16 Ss	[10]
44	56116032	1	CAP-HUB	
45		1	Seal-Oil	[13]
46		1	Housing-Cylindrical Deck Idler	[14]
47		1	Lug-Cylindrical Deck Drive	[15]
48		1	Shaft Assembly-Idler	[14]
49		1	Screw M6x20 Hex Hd F/Thd Ss	[15]
50		1	Washer Flat XI 6.6x24.0x2.0 Ss	[15]
51		2	Ring D 40 Uni7437	[14]
52		1	Key 5x5x30 Din6885	[15]
53		1	Sheave 95mm-8 Rib	[16]
54		1	Belt-Self Tension-8 Rib	[17]
55		1	Sheave 1.50in-8 Rib	[16]
56		1	Housing-Cylindrical Drive	[12]

Pos.	Artikel-Nr.	Menge	Variante	Notes
57		1	Seal-Oil	[12]
58		1	Lug-Cylindrical Deck Drive	[15]
59		1	Cover-Belt Housing	[18]
60	56116159	1	MOTOR-36VDC-1900RPM-1HP	
	56422152	1	KIT WHEEL DRIVE BRUSHES	
61		1	Gasket-Cyl Drive Housing	[18]
62		1	Shaft Assembly-Brush	[12]
63		5	Screw M6x20 Hex Hd F/Thd Ss	[19]
64		1	Washer Flat XI 6.6x24.0x2.0 Ss	[15]
65		4	Screw M6x1.0x10 Soc.Set Cylindrical	[16]
66		9	Screw M5x16 Hex Hd F/Thd Ss	[18]
67		2	Ring D 40 Uni7437	[12]
68		3	Key 5x5x30 Din6885	[20]
69		1	Hopper-36 Inch	
70		1	Screen-Hopper-36in	[21]
71		1	Threshold-Hopper-36in	
72		2	Washer Flat XI 6.6x24.0x2.0 Ss	[21]
73		7	Scr, Pan Phil M6x16 Ss	
74		7	Nut, Hex Nyl Loc Thin M6 Ss	
75		2	Scr,Pan Phil M5x16 Ss	[21]
76		1	Clamp, Hose 15-24 Size8	[3]
			Service Kits	
K1	56116881	1	LIFT ARM KIT-CENTER	[22]
K2	56116882	1	TRAILING ARM KIT-BOTH SIDES	[23]
K10	56116928	1	STOP KIT-BOTH SIDES	[24]
K13	56118038	1	HARDWARE KIT-ACTUATOR	[25]
K16	56116875	1	SOLENOID VALVE KIT	[26]
K17	56116891	1	SOLENOID SEAL KIT	[27]
K18	56116877	1	LATCH KIT-BOTH SIDES	[28]
K19	56116879	1	HOPPER FLOOR KIT	[29]
K20	56116880	1	ROLLER KIT-CYLINDRICAL DECK	[30]
K21	56116885	1	BELT KIT-BOTH SIDES	[31]
K22	56116886	1	DRIVE HOUSING KIT	[32]
K23	56116890	1	HUB KIT	[33]
K24	56116887	1	SHEAVE KIT	[34]
K25	56116888	1	DRIVE COVER KIT-BOTH SIDES	[35]
K26	56116889	1	IDLER HOUSING KIT	[36]
K29	56116876	1	PIVOT HARDWARE KIT-BOTH SIDES	[37]
K30	56116992	1	HARDWARE KIT-ELECTRICAL	

Part Notes:

- [1] - K3+
- [2] - K29
- [3] - K16
- [4] - K10
- [5] - K2
- [6] - K20
- [7] - K13
- [8] - K1
- [9] - K16,K17
- [10] - K18
- [11] - K20,K13
- [12] - K22
- [13] - K26
K26
- [14] - K26
- [15] - K23
- [16] - K24
- [17] - K21

- [18] - K25
- [19] - K22, K23
- [20] - K23, K24
- [21] - K19
- [22] - K1 includes pos. 14,16,17,17a,17b,41
- [23] - K2 includes pos.6,13,19,19a,36
- [24] - K10 includes pos.5,6,30,39
- [25] - K13 includes pos.9,10,29
- [26] - K16 includes pos.3,18,76
- [27] - K17 includes pos.18
- [28] - K18 includes pos.25,42,43
- [29] - K19 includes pos.70,72,75
- [30] - K20 includes pos.7,8,32,33,34
- [31] - K21 includes pos.54
- [32] - K22 includes pos.56,57,62,63,67
- [33] - K23 includes pos.52,58,63,64,68
- [34] - K24 includes pos.55,65,68
- [35] - K25 includes pos.59,61
- [36] - K26 includes pos.45,46,51
- [37] - K29 includes pos. 2,26,27,37

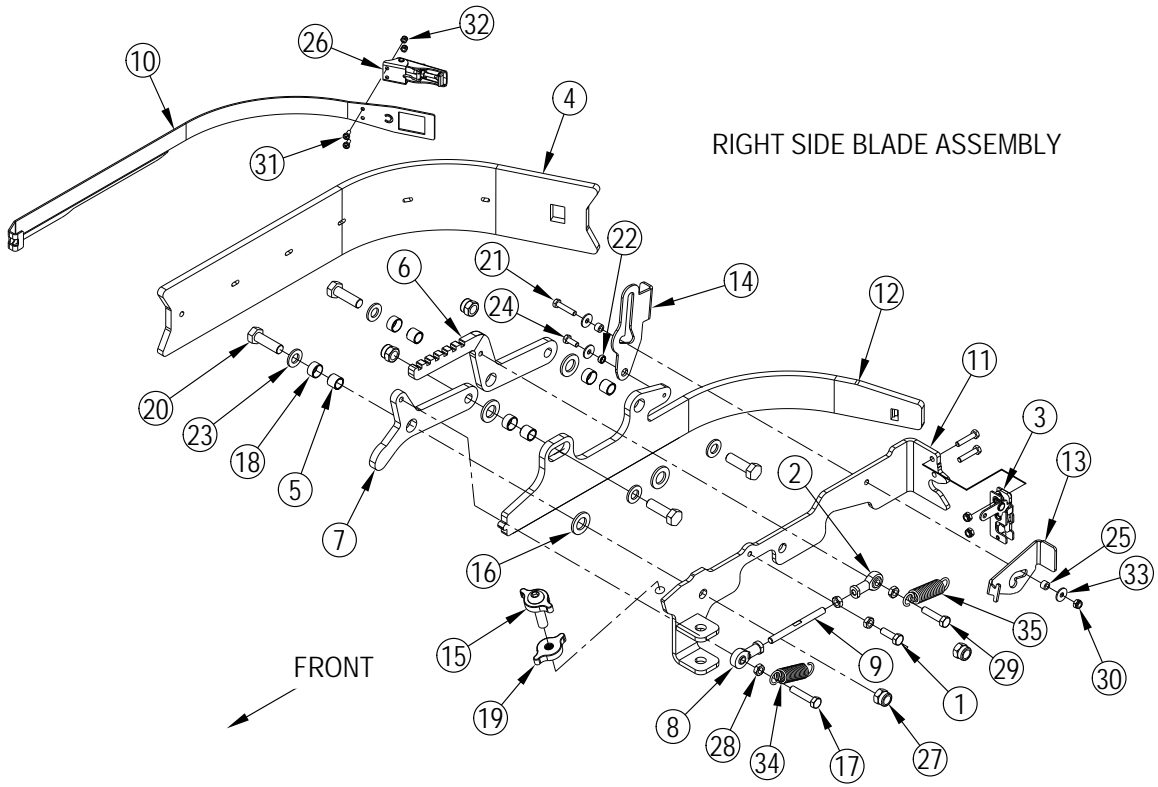


Pos.	Artikel-Nr.	Menge	Variante	Notes
	56116524	1	SIDE BLADE ASSEMBLY-LEFT	
1		1	Screw M8x25 Hex Hd F/Thd Ss	[1]
2		1	Joint M8	[2]
3		1	Latch Rotary	[3]
4		1	Blade-Deck-Red Gum	[4]
		1	Blade-Deck-PU	[5]
5		4	Bushing-Sleeve-.507x.625x.527	[5]
6	56116233	1	ARM-SIDE BLADE-REAR	
7	56116234	1	ARM-SIDE BLADE-FRONT	
8		1	Rod End-M8-Lh	[2]
9		1	Rod-Threaded	[2]
10		1	Strap-Cyl Side Blade-Left	[6]
11	56116526	1	SIDE BLADE MOUNT WELDT-LEFT	
12	56116653	1	SIDE BLADE SUPPORT WELDT-LEFT	
13	56116661	1	CLIP-SPRING ADJUSTMENT-LEFT	
14	56116663	1	LATCH-DOUBLE SCRUB-LEFT	
15		1	Knob Assembly	[7]
16		4	Washer17x30x3 Iso7089 SS	[5]
17		1	Screw M8x40 Uni5739 SS	
18		4	Bearing, .719 X .625 X .375	[5]
19		1	Knob	[7]
20		4	Screw M12x40 A2 Din93	[5]
21		3	Screw M6x30 Hex Hd F/Thd SS	[5]
22		1	Spacer 6.5x10x4.5	[5]
23		4	Washer, Flat 13.0x24.0x2.5 SS	[5]
24		1	Screw M6x16 Hex Hd F/Thd SS	[5]
25		2	Spacer 6.1 X 10 X 6.5	[5]
26		1	Latch Squeegee	[6]
27		4	Nut, Hex Nyl Loc M12 S.S.	[5]
28		4	Nut Hex M8 Uni5589 Ss	[1]
29		1	Screw M8x35 Hex Hd F/Thd SS	[2]
30		3	Nut, Hex Nyl Loc Thin M6 SS	[5]
31		2	Scr, Pan Phil M4x10 Ss	[6]
32		2	Nut, Hex Nyl Loc Thin M4 SS	[6]
33		3	Washer Flat XI 6x18x1.5 – SS	[5]
34	56116239	1	SPRING-EXTENSION-0.75X2.96IN	
35	56116846	1	SPRING-EXTENSION 0.75X3.00IN	
			Service Kits	
K4	56116979	1	LATCH KIT	[8]
K8	56116981	1	LEVEL ADJUST KIT-SIDE WIPER	[9]
K9	56116983	1	KNOB KIT-SIDE WIPER	[10]
K12	56116982	1	HARDWARE KIT-SIDE WIPER	[11]
K14	56116706	1	SIDE BLADE KIT-RED GUM	[12]
K15	56116709	1	SIDE BLADE KIT-PU	[13]
K27	56116984	1	CYLINDER STRAP KIT-BOTH SIDES	[14]

Part Notes:

- [1] - K8, K12
- [2] - K8
- [3] - K14
- [4] - K15
- [5] - K12
- [6] - K27
- [7] - K9
- [8] - K4 includes pos. 3
- [9] - K8 includes pos. 1,2,8,9,17,28,29
- [10] - K9 includes pos. 15,19
- [11] - K12 includes pos. 1,5,16,18,20-25,27,28,29,33
- [12] - K14 includes pos. 4

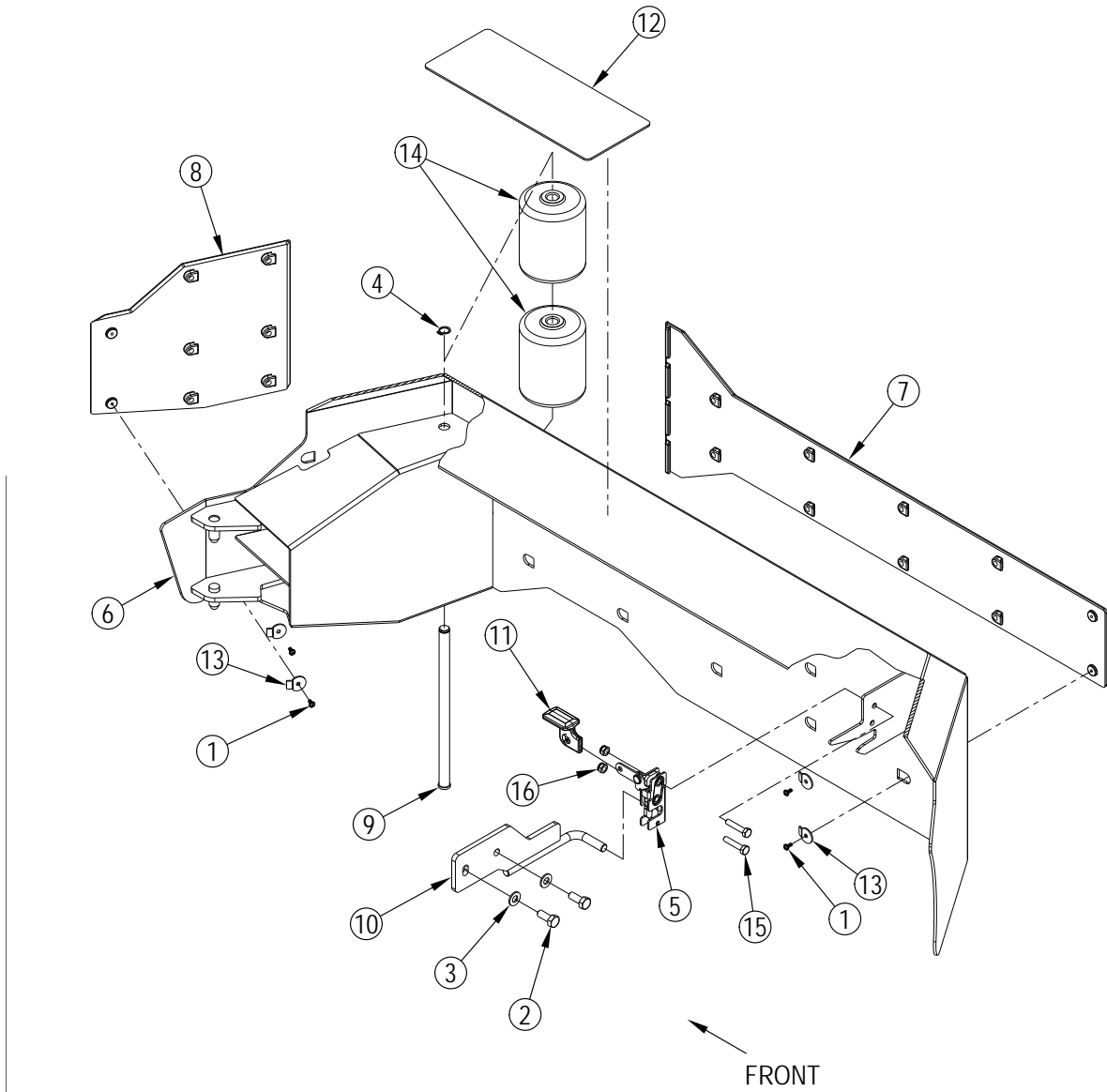
- [13] - K15 includes pos. 4
- [14] - K27 includes pos. 10,26,31,32



Pos.	Artikel-Nr.	Menge	Variante	Notes
	56116523	1	SIDE BLADE ASSEMBLY-RIGHT	
1		1	Screw M8x25 Hex Hd F/Thd Ss	[1]
2		1	Joint M8	[2]
3		1	Latch Rotary	[3]
4		1	Blade-Deck-Red Gum	[4]
		1	Blade-Deck-PU	[5]
5		4	Bushing-Sleeve-.507x.625x.527	[6]
6	56116233	1	ARM-SIDE BLADE-REAR	
7	56116234	1	ARM-SIDE BLADE-FRONT	
8		1	Rod End-M8-Lh	[2]
9		1	Rod-Threaded	[2]
10		1	Strap-Cyl Side Blade-Right	
11	56116525	1	SIDE BLADE MOUNT WELDT-RIGHT	
12	56116652	1	SIDE BLADE SUPPORT WELDT-RIGHT	
13	56116660	1	CLIP-SPRING ADJUSTMENT-RIGHT	
14	56116662	1	LATCH-DOUBLE SCRUB-RIGHT	
15		1	Knob Assembly	[7]
16		4	Washer17x30x3 Iso7089 SS	[6]
17		1	Screw M8x40 Uni5739 SS	[2]
18		4	Bearing, .719 X .625 X .375	[6]
19		1	Knob	[7]
20		4	Screw M12x40 A2 Din93	[6]
21		3	Screw M6x30 Hex Hd F/Thd SS	[6]
22		1	Spacer 6.5x10x4.5	[6]
23		4	Washer, Flat 13.0x24.0x2.5 SS	[6]
24		1	Screw M6x16 Hex Hd F/Thd SS	[6]
25		2	Spacer 6.1 X 10 X 6.5	[6]
26		1	Latch Squeegee	[8]
27		4	Nut, Hex Nyl Loc M12 S.S.	[6]
28		4	Nut Hex M8 Uni5589 Ss	[1]
29		1	Screw M8x35 Hex Hd F/Thd SS	[2]
30		3	Nut, Hex Nyl Loc Thin M6 SS	[6]
31		2	Scr, Pan Phil M4x10 Ss	[8]
32		2	Nut, Hex Nyl Loc Thin M4 SS	[8]
33		3	Washer Flat XI 6x18x1.5 – SS	[6]
34	56116239	1	SPRING-EXTENSION-0.75X2.96IN	
35	56116846	1	SPRING-EXTENSION 0.75X3.00IN	
			Service Kits	
K4	56116979	1	LATCH KIT	
K8	56116981	1	LEVEL ADJUST KIT-SIDE WIPER	
K9	56116983	1	KNOB KIT-SIDE WIPER	
K12	56116982	1	HARDWARE KIT-SIDE WIPER	
K14	56116706	1	SIDE BLADE KIT-RED GUM	
K15	56116709	1	SIDE BLADE KIT-PU	
K27	56116984	1	CYLINDER STRAP KIT-BOTH SIDES	

Part Notes:

- [1] - K8, K12
- [2] - K8
- [3] - K4
- [4] - K14
- [5] - K15
- [6] - K12
- [7] - K9
- [8] - K27



Pos.	Artikel-Nr.	Menge	Variante	Notes
1		4	Ejot 3.5x8 Wn1411	[1]
2		2	Screw M8x20 Hex Hd F/Thd	[2]
3		2	Washer, Flat 8.4x16x1.6	[3]
4		1	Shaft Ring D.12	[4]
5		1	Latch Rotary	[5]
6	56118094	1	DOOR WELDMENT KIT	[6]
7		1	Skid Plate-Right-34d	[1]
8		1	Skid Plate-Right-Front-36c	[1]
9		1	Pin-Door Roller	[4]
10	56118096	1	STRIKER KIT-RIGHT-CYLINDRICAL	[7]
10		1	Striker Weldment-Door-Rt-36c	[8]
11		1	Handle-Latch	[5]
12	56116720	1	MAT-DOOR	
13		4	Washer-Tab	[1]
14		2	Wheel, Roller	[4]
15		2	Screw M6x30 Hex Hd F/Thd Ss	[5]
16		2	Nut, Hex Nyl Loc Thin M6 Ss	[5]
			Service Kits	
K4	56116979	1	LATCH KIT	
K5	56116980	1	ROLLER KIT-BOTH DOORS	
K6	56116899	1	STRIKER KIT-RIGHT	
K7	56116900	1	SKID PLATE KIT	

Part Notes:

- [1] - K7
- [2] - K6, K8
- [3] - K6
- [4] - K5
- [5] - K4
- [6] - Right Door Weldment 56116419 and Right Striker Kit 56116899 have been replaced in production with Right Door Weldment 56118092 and Striker Kit 56118096. If you need to replace 56116419 please order Door Weldment Kit 56118094 to replace the door and striker.
- [7] - K6
- [8] - Right Door Weldment 56116419 and Right Striker Kit 56116899 have been replaced in production with Right Door Weldment 56118092 and Striker Kit 56118096. If you need to replace 56116419 please order Door Weldment Kit 56118094 to replace the door and striker.

