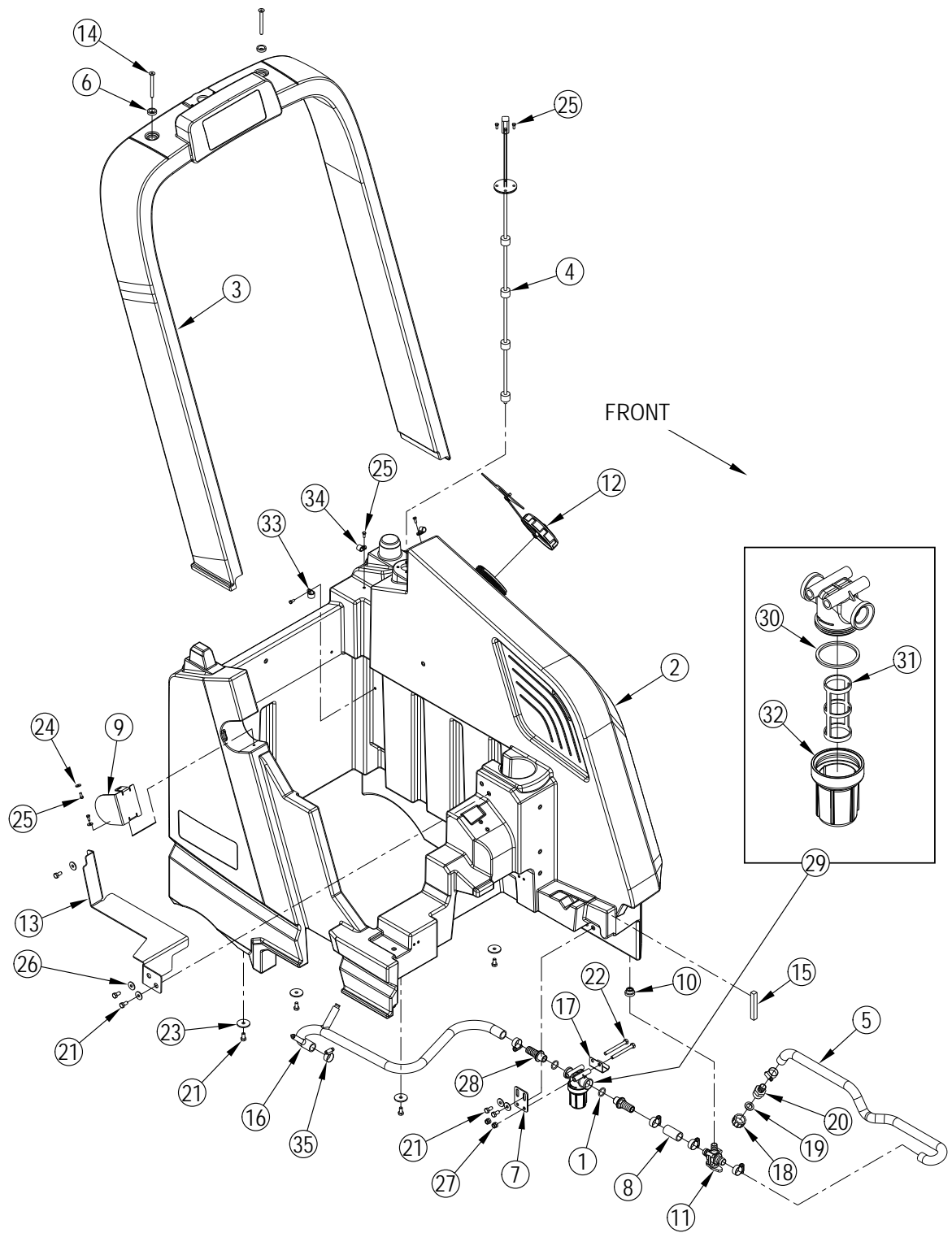


Pos.	Artikel-Nr.	Menge	Variante	Notes
1		4	Ejot 3.5x8 Wn1411	[1]
2		2	Screw M8x20 Hex Hd F/Thd Iso4017	[2]
3		2	Washer, Flat 8.4x16x1.6	[2]
4		1	Shaft Ring D.12	[3]
5		1	Latch Rotary	[4]
6	56116417	1	DOOR WELDMENT-RIGHT-34D	
7		1	Skid Plate-Right-34d	[1]
8		1	Skid Plate-Right-Front-34d	[1]
9		1	Pin-Door Roller	[3]
10		1	Door Striker Weldment-Right	[2]
11		1	Handle-Latch	[4]
12	56116465	1	MAT-DOOR	
13		4	Washer-Tab	[1]
14		2	Wheel, Roller	[3]
15		2	Screw M6x30 Hex Hd F/Thd Ss Iso4017	[4]
16		2	Nut, Hex Nyl Loc Thin M6 Ss	[4]
			Service Kits	
K4	56116979	1	LATCH KIT	
K5	56116980	1	ROLLER KIT-BOTH DOORS	
K6	56116899	1	STRIKER KIT-RIGHT	
K7	56116900	1	SKID PLATE KIT	

Part Notes:

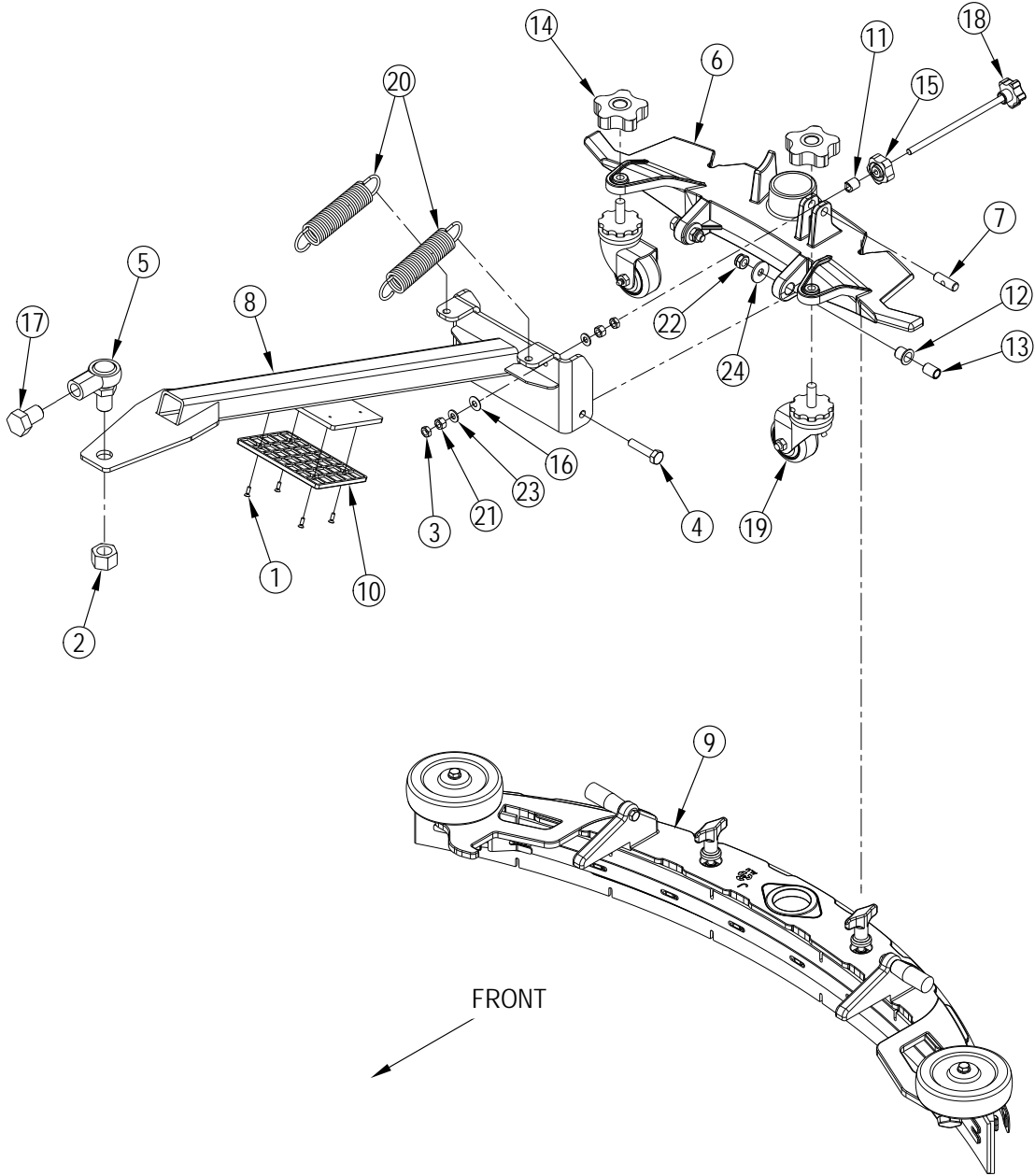
- [1] - K7
- [2] - K6
- [3] - K5
- [4] - K4



Pos.	Artikel-Nr.	Menge	Variante	Notes
1		2	Gasket, O-Ring 20 - 3	[1]
2	56116083	1	TANK-SOLUTION	
3	56116101	1	CROSS BAR	
4	56116372	1	SENSOR-SOLUTION LEVEL	
5		1	Hose-Drain	[2]
6		2	Washer-Cosmetic-Ss-M8	[3]
7	56116658	1	BRACKET-FILTER MOUNT	
8	56116664	1	HOSE-20X26X52MM	
9	56116666	1	PANEL-COVER	
10	56116721	1	GROMMET .59X.78X.62IN	
11	56116759	1	VALVE-BALL-5/8X3/4IN BRB	
12	56116763	1	SOLUTION CAP ASSEMBLY	
	56116683	1	GASKET-SOLUTION CAP	
13	56116790	1	SUPPORT-SEAT	
14		2	Screw M8x80 Din7991 Ss Black	[3]
15	56116931	1	SEAL-TANK GAP	
16	56116934	1	HOSE ASSEMBLY MANIFOLD	
17		1	Clip-Drain Hose	[1]
18		1	Cap, Pipe Ght Nylon	[2]
19		1	Washer-Rubber	[2]
20		1	Barb, Adapter 3/4 X 3/4ght	[2]
21		9	Screw M8x16 Hex Hd F/Thd Ss Iso4017	[3]
22		2	Screw M8x80 Hex Hd F/Thd Iso4017	[1]
23		4	Washer Flat XI 8.5x36.0x3.0	[3]
24		2	Washer Flat XI 5.5x15.0x1.6 Ss	[3]
25		9	Screw M5x12 Hex Hd F/Thd Iso4017	[3]
26		5	Washer 8x24x2 Uni6593 Ss	[3]
27		2	Nut, Hex Nyl Loc M8 Ss	[1]
28		2	Elbow Ø20	[1]
29		1	Filter Water	[1]
30	9097943000	1	Dichtung für Wasserfilter	
31	9097944000	1	Filtereinsatz	
32	9097945000	1	Deckel Wasserfilter	
33		1	Clamp Cable D.16	[3]
34		2	Clamp, Cable Ø12.7	[3]
35		6	Clamp, Hose 15-24 Size8	[4]
			Service Kits	
K1	56116923	1	DRAIN HOSE KIT	
K2	56116924	1	FILTER KIT	
K3	56116925	1	HARDWARE KIT-SOLUTION SYSTEM	

Part Notes:

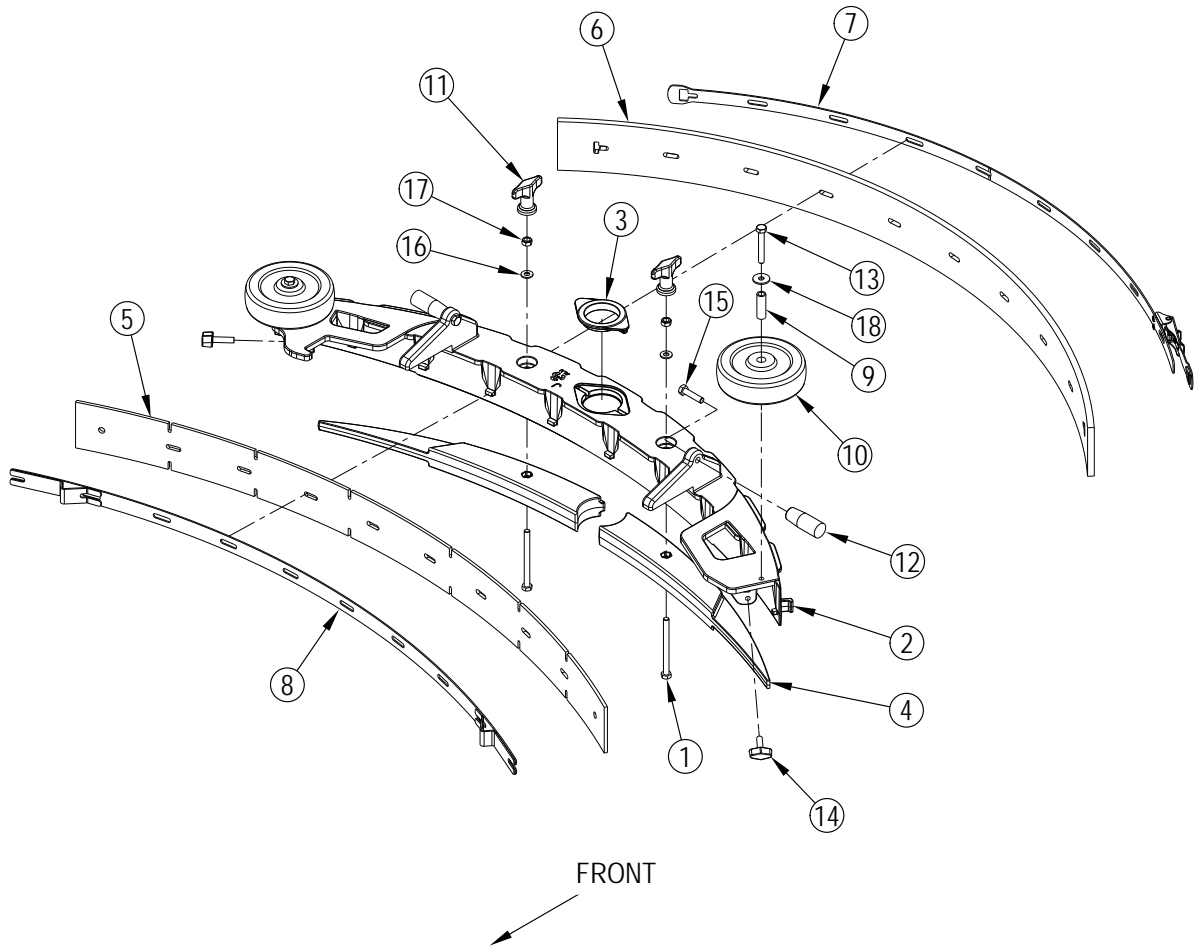
- [1] - K2
- [2] - K1
- [3] - K3
- [4] - K1,K2,K3



Pos.	Artikel-Nr.	Menge	Variante	Notes
1		4	Countersunk Screw M4x12	[1]
2		1	Nut-Hex 220x1.5 Iso8673 8.8	[2]
3		2	Nut, Hex Thin M8	[3]
4		2	Screw M10x45 Hex Hd F/Thd Ss Iso4017	[4]
5		1	Rod End-20mm	[2]
6	56116393	1	MOUNT-SQUEEGEE	
7		1	Pin-Squeegee Tilt	[3]
8	56116398	1	SQUEEGEE ARM WELDMENT	
9	56116399	1	SQUEEGEE ASSEMBLY-J	[5]
9	56116400	1	SQUEEGEE ASSEMBLY-K	[6]
10		1	Wear Plate-Squeegee	[1]
11		1	Spacer-Squeegee Tilt	[3]
12		2	Bearing-Flange-14x16x17mm	[4]
13		2	Bushing	[4]
14	56116545	2	KNOB-M12-LOBE	
15		1	Knob-M8-Lobe Short	[3]
16		1	Washer-Bevel-8.2x20x0.7x1.35mm	[3]
17		1	Screw M20x1.5x30 Uni5740 Ss	[2]
18		1	Tilt Rod Assembly	[3]
19	56116907	2	CASTER ASSEMBLY	
20	56116974	2	SPRING-EXTENSION	
21		2	Nut Hex Hvy M8	[3]
22		2	Nut M10 Hex Loc Thin Ss Iso 10511	[4]
23		2	Washer, Flat 8x17x1.6 Ss	[3]
24		2	Washer Flat XI 10x30x2.5-Ss	[4]
			Service Kits	
K1	56116894	1	SQUEEGEE TILT ADJUSTER KIT	
K2	56116895	1	SQUEEGEE WEAR PLATE KIT	
K3	56116896	1	SQUEEGEE MOUNT ROD END KIT	
K6	56116893	1	HARDWARE KIT-SQUEEGEE	

Part Notes:

- [1] - K2
- [2] - K3
- [3] - K1
- [4] - K6
- [5] - 860D Disc Model / Includes Red Gum Rubber Blades
- [6] - 910C Cylindrical Model 1050D Disc Model / Includes Red Gum Rubber Blades



Pos.	Artikel-Nr.	Menge	Variante	Notes
1		2	Scr-Hex Thd/Hd Ss 5/16-18x3.75	[1]
2	56116378	1	SQUEEGEE-J	
3	56116388	1	SEAL-SQUEEGEE	
4	56116491	2	INSERT-SQUEEGEE AIRFLOW-J	
5		1	Blade-Squeegee Fr-Red Gum-J	[2]
6	56116493	1	BLADE-SQUEEGEE-RED GUM-RR-J	[2]
		1	Blade-Squeegee-PU J-Front	[3]
	56116702	1		[3]
7	56116497	1	SQUEEGEE STRAP ASSEMBLY-RR-J	
8	56116498	1	SQUEEGEE STRAP WELDMENT-FR-J	
9		2	Bushing-.344x.500x1.56in	[4]
10		2	Wheel 5.00 X 1.50	[4]
11		2	Nut Thumb	[1]
12		2	Handle Lever	[1]
13		2	Screw M8x55 Hex Hd F/Thd Ss Iso4017	[4]
14		2	Knob M8x30 Stainless Steel	[1]
15		2	Screw M8x35 Hex Hd F/Thd Ss Iso4017	[1]
16		2	Washer, Flat 8x17x1.6 Ss	[5]
17		2	Nut Self L. 5/16 Unc Ss	[1]
			Service Kits	
K4	56116911	1	SQUEEGEE ROLLER KIT-BOTH	
K5	56116912	1	SQUEEGEE KNOB KIT-BOTH	
K7	56116704	1	SQUEEGEE BLADE KIT-RED GUM J	
K9	56116707	1	SQUEEGEE BLADE KIT-PU J	

Part Notes:

[1] - K5

[2] - K7

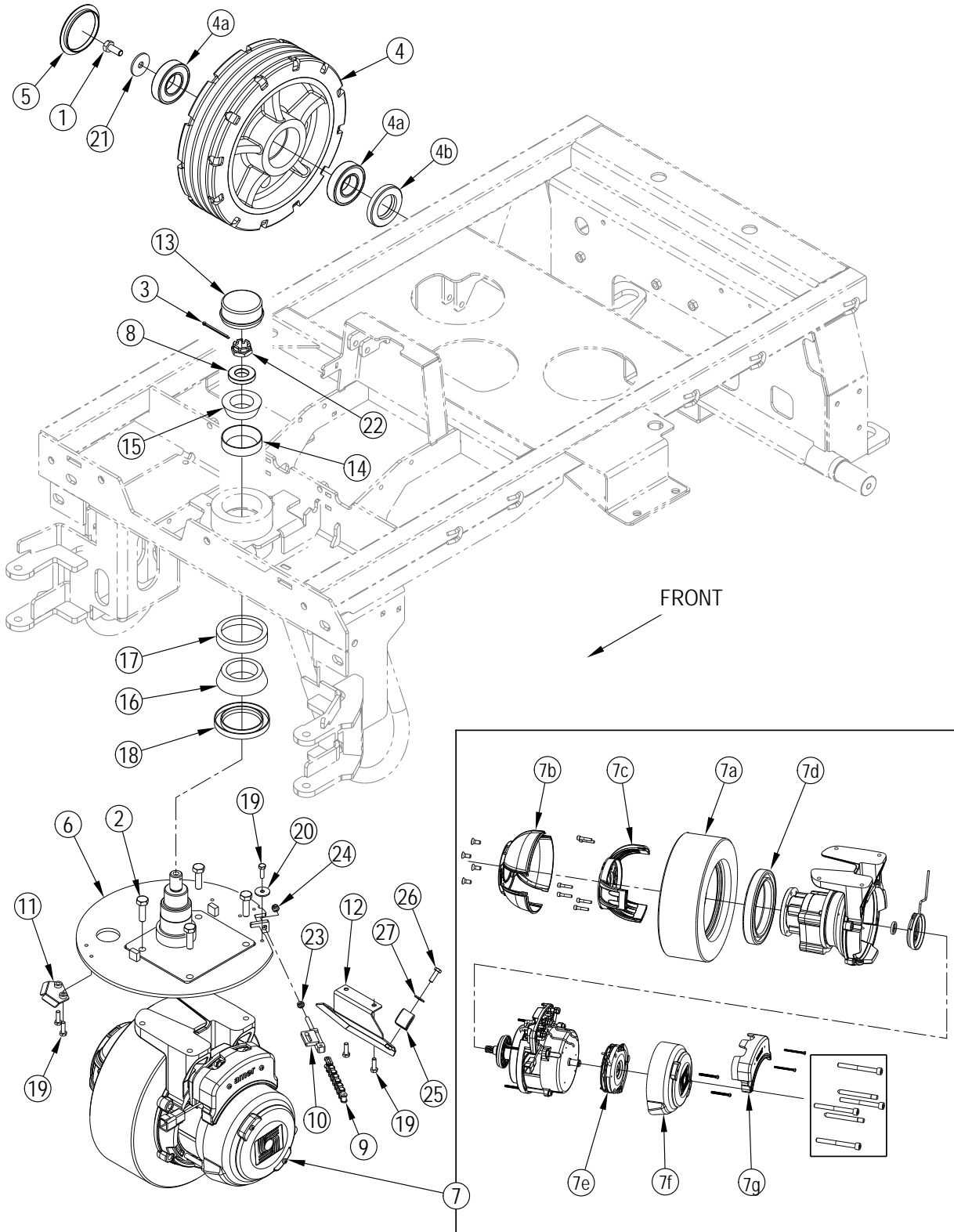
All squeegee blade kits include both front and rear squeegee blades

[3] - K9

All squeegee blade kits include both front and rear squeegee blades. Optional, Not Included

[4] - K4

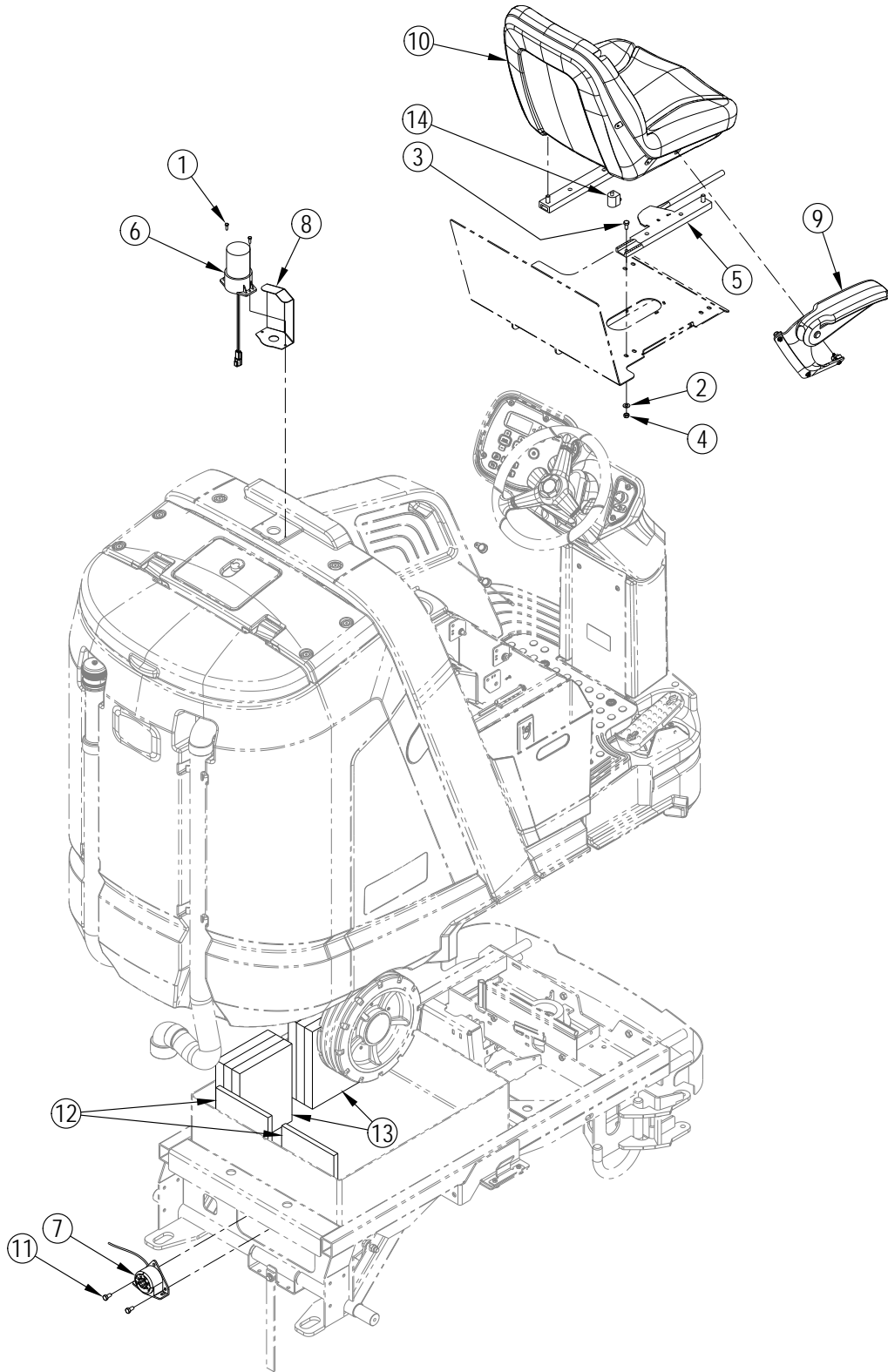
[5] - K4,K5



Pos.	Artikel-Nr.	Menge	Variante	Notes
1		2	Screw M10x25 Hex Hd F/Thd	[1]
2		4	Screw M10x35 Hex Hd F/Thd	[2]
3		1	Pin Cotter 3 X 50 Iso 1324	[3]
4		2	Wheel-Rear-Pu 12x3.5in	[4]
4a		2	Bearing-Ball-1.378x2.835x.669	[5]
4b		1	Seal-Oil	[5]
5	56116032	2	CAP-HUB	[6]
6	56116305	1	SPINDLE PLATE WELDMENT	
7	56116309	1	WHEEL-DRIVE 12IN	
7a	56116039	1	TIRE	
7b	56116806	1	COVER MOTOR	
7c	56116807	1	COVER DRIVE	
7d	56116809	1	BEARING	
7e	56601507	1	PARKING BRAKE	
7f	56116811	1	COVER BRAKE	
7g	56116812	1	COVER ELEC	
7h	56118154	1	ENCODER-DRIVE MOTOR	
7i	56118155	1	SEAL-SHAFT-DRIVE MOTOR	
8		1	Washer-22x44x8mm	[7]
9		1	Chain-Roller	[8]
10		1	Chain Tensioner Weldment	[8]
11		1	Chain Guide Weldment	[8]
12	56116936	1	BRACKET-WIRE GUIDE	
13	56483135	1	Lagerdeckel	[7]
14		1	Bearing, Cup	[7]
15		1	Bearing, Cone	[7]
16		1	Bearing, Cone	[7]
17		1	Bearing, Cup	[7]
18		1	Seal-Shaft-88.9x63.5x9.5	[7]
19		5	Screw M6x20 Hex Hd F/Thd Ss	[9]
20		1	Washer Flat XI 6.6x24.0x2.0 Ss	[9]
21		2	Washer Flat XI 11.0x40.0x3.0	[1]
22		1	Nut Hex M20x1.5 Uni5594	[3]
23		1	Nut Hex M6 Uni5589 Ss	[8]
24		1	Nut, Hex Nyl Loc Thin M6 Ss	[8]
25		1	Clamp, Hose Support	[2]
26		6	Screw M6x20 Hex Hd F/Thd Ss	[2]
27		1	Washer Flat XI 6x18x1.5 - Ss	[2]
			Service Kits	
K1	56116916	1	STEERING CHAIN KIT	
K2	56116918	1	SPINDLE BEARING KIT	
K3	56116033	1	BEARING KIT-REAR WHEEL	
K4	56116919	1	REAR WHEEL KIT	
K5	56116917	1	HARDWARE KIT-WHEEL SYSTEM	

Part Notes:

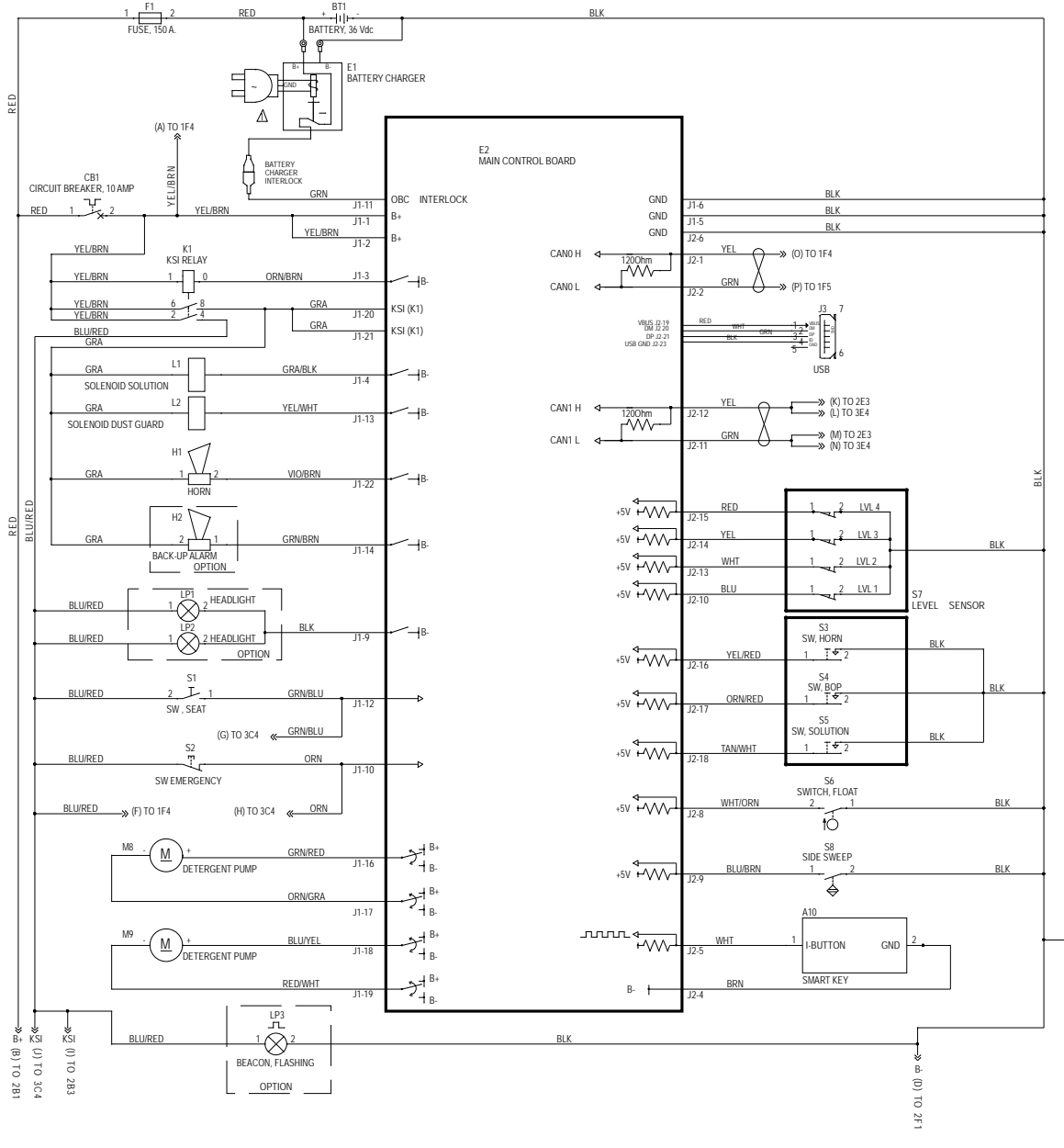
- [1] - K3,K4,K5
- [2] - K5
- [3] - K2,K5
- [4] - K4
- [5] - K3
- [6] - K3,K4
- [7] - K2
- [8] - K1
- [9] - K1,K5



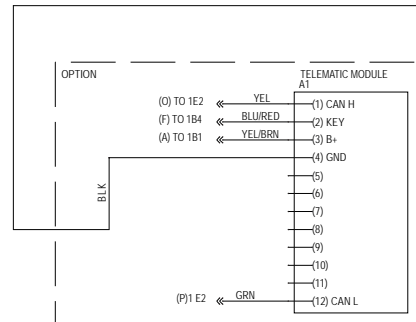
Pos.	Artikel-Nr.	Menge	Variante	Notes
1	33003961	2	Schraube M5x14	
2	56001939	4	Flachdichtung 5/16	
3	56002035	4	002721X HD 5/16-18X.62	
4	56002826	4	NUT HEX NYLOC THIN 5/16-1	
5	56109300	1	SLIDE KIT NO STUDS	
6	56116353	1	BEACON-WARNING LED	[1]
7	56116374	1		[2]
8	56116595	1		
9	56383189	1	ARM REST KIT-R/H ONLY	
10	56383292	1	SEAT-11.25 IN. MOUNT	
11	145 0521 000	2	Schraube M8x16	
12	145 6094 000	2	Batterieabdeckung	
13	146 0668 000	6	Isolierplatte	
14	7-82-00050	1	Sitzschalter BR 1300 S	[3]

Part Notes:

- [1] - H2
- [2] - LP3
- [3] - S1



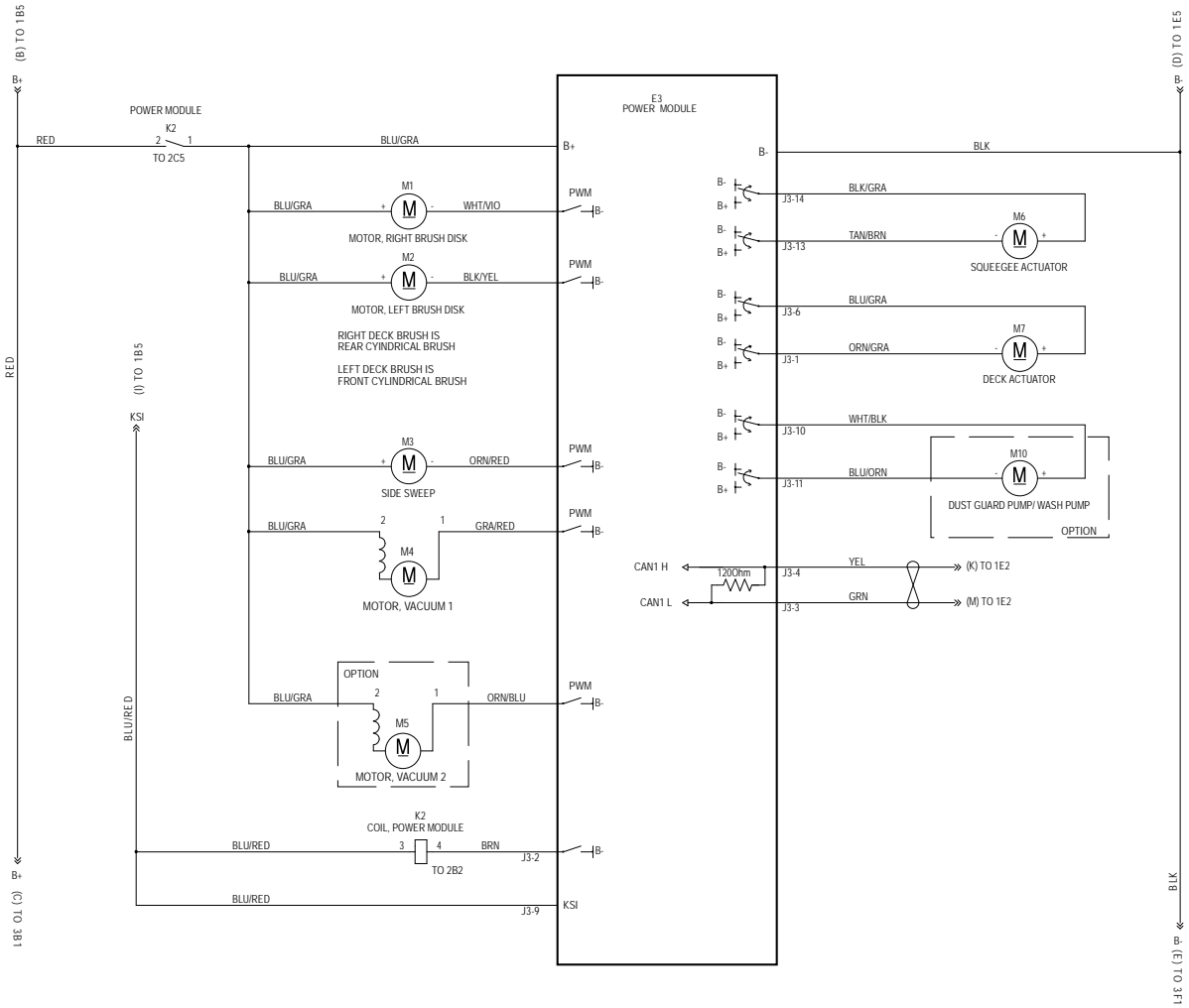
Ladder Diagram 56116048 REV C



Pos.	Artikel-Nr.	Menge	Variante	Notes
A1		1	Telematics Module	[1]
A10	56116518	1	SMART KEY-USER	
A11	56385084	1	FOOT PEDAL ASSEMBLY	
BT1		1	Battery 36VDC	
CB1	56507644	1	CIRCUIT BREAKER 10 AMP	
E1	56315774	1	CHARGER-ON BOARD 36V	[1]
E2	56116054	1	PCB BOX ASSEMBLY	
E3	56116087	1	MODULE-HIGH POWER	
E4	56116131	1	SPEED CONTROL	
F1	56115432	1	FUSE-150 AMP	
H1	56116375	1	HORN-36V	
H2	56116374	1		
J3	56116601	1	USB-2,0-TYPE A-PANEL MOUNT	[1]
K1	40892A	1	Zweipoliges Umschalt-	
K2	56303198	1	Relais 26V	
K3	56303198	1	Relais 26V	
L1	56116248	1	VALVE-SOLENOID-36VDC	
L2	56397216	1	VALVE SOLENOID 36V	[1]
LP1	56383032	1	LIGHT-LED	[1]
LP2	56383032	1	LIGHT-LED	[1]
LP3	56116353	1	BEACON-WARNING LED	
M1	56116159	1	MOTOR-36VDC-1900RPM-1HP	
M2	56116159	1	MOTOR-36VDC-1900RPM-1HP	
M3	56116761	1	GEAR MOTOR-SWEEP-RIGHT	[1]
M4	56116105	1	MOTOR-VACUUM 36VDC	
M5	56116105	1	MOTOR-VACUUM 36VDC	[1]
M6	56116781	1	ACTUATOR-SQUEEGEE	
M7		1	Deck Actuator	
M8	56110742	1	Chemie Pumpe 2	
M9	56110742	1	Chemie Pumpe 2	
M10	56116767	1	PUMP-36VDC	[1]
M11	56116309	1	WHEEL-DRIVE 12IN	
S1	7-82-00050	1	Sitzschalter BR 1300 S	
S2	56104247	1	DISCONNECT-EMERGENCY	
S3	56104405	1		
S4	56104405	1		
S5	56104405	1		
S6	56116842	1	SWITCH-FLOAT MECHANICAL 120V	
S7	56116372	1	SENSOR-SOLUTION LEVEL	
S8	56116784	1	SENSOR-PROXIMITY	[1]

Part Notes:

[1] - Optional

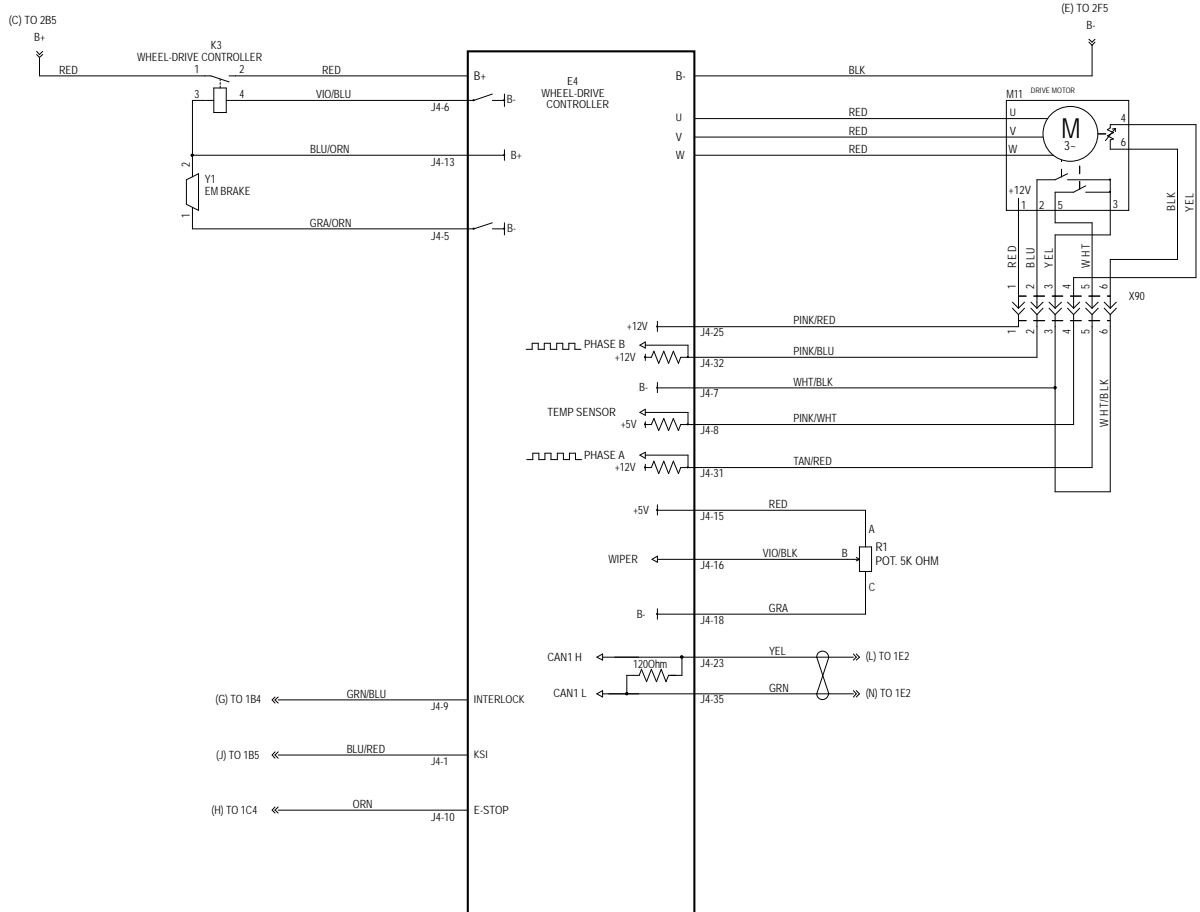


Ladder Diagram 56116048 REV C

Pos.	Artikel-Nr.	Menge	Variante	Notes
A1		1	Telematics Module	[1]
A10	56116518	1	SMART KEY-USER	
A11	56385084	1	FOOT PEDAL ASSEMBLY	
BT1		1	Battery 36VDC	
CB1	56507644	1	CIRCUIT BREAKER 10 AMP	
E1	56315774	1	CHARGER-ON BOARD 36V	[1]
E2	56116054	1	PCB BOX ASSEMBLY	
E3	56116087	1	MODULE-HIGH POWER	
E4	56116131	1	SPEED CONTROL	
F1	56115432	1	FUSE-150 AMP	
H1	56116375	1	HORN-36V	
H2	56116374	1		
J3	56116601	1	USB-2,0-TYPE A-PANEL MOUNT	[1]
K1	40892A	1	Zweipoliges Umschalt-	
K2	56303198	1	Relais 26V	
K3	56303198	1	Relais 26V	
L1	56116248	1	VALVE-SOLENOID-36VDC	
L2	56397216	1	VALVE SOLENOID 36V	[1]
LP1	56383032	1	LIGHT-LED	[1]
LP2	56383032	1	LIGHT-LED	[1]
LP3	56116353	1	BEACON-WARNING LED	
M1	56116159	1	MOTOR-36VDC-1900RPM-1HP	
M2	56116159	1	MOTOR-36VDC-1900RPM-1HP	
M3	56116761	1	GEAR MOTOR-SWEEP-RIGHT	[1]
M4	56116105	1	MOTOR-VACUUM 36VDC	
M5	56116105	1	MOTOR-VACUUM 36VDC	[1]
M6	56116781	1	ACTUATOR-SQUEEGEE	
M7		1	Deck Actuator	
M8	56110742	1	Chemie Pumpe 2	
M9	56110742	1	Chemie Pumpe 2	
M10	56116767	1	PUMP-36VDC	[1]
M11	56116309	1	WHEEL-DRIVE 12IN	
S1	7-82-00050	1	Sitzschalter BR 1300 S	
S2	56104247	1	DISCONNECT-EMERGENCY	
S3	56104405	1		
S4	56104405	1		
S5	56104405	1		
S6	56116842	1	SWITCH-FLOAT MECHANICAL 120V	
S7	56116372	1	SENSOR-SOLUTION LEVEL	
S8	56116784	1	SENSOR-PROXIMITY	[1]

Part Notes:

[1] - Optional



Ladder Diagram 56116048 REV C

Pos.	Artikel-Nr.	Menge	Variante	Notes
A1		1	Telematics Module	[1]
A10	56116518	1	SMART KEY-USER	
A11	56385084	1	FOOT PEDAL ASSEMBLY	
BT1		1	Battery 36VDC	
CB1	56507644	1	CIRCUIT BREAKER 10 AMP	
E1	56315774	1	CHARGER-ON BOARD 36V	[1]
E2	56116054	1	PCB BOX ASSEMBLY	
E3	56116087	1	MODULE-HIGH POWER	
E4	56116131	1	SPEED CONTROL	
F1	56115432	1	FUSE-150 AMP	
H1	56116375	1	HORN-36V	
H2	56116374	1		
J3	56116601	1	USB-2,0-TYPE A-PANEL MOUNT	[1]
K1	40892A	1	Zweipoliges Umschalt-	
K2	56303198	1	Relais 26V	
K3	56303198	1	Relais 26V	
L1	56116248	1	VALVE-SOLENOID-36VDC	
L2	56397216	1	VALVE SOLENOID 36V	[1]
LP1	56383032	1	LIGHT-LED	[1]
LP2	56383032	1	LIGHT-LED	[1]
LP3	56116353	1	BEACON-WARNING LED	
M1	56116159	1	MOTOR-36VDC-1900RPM-1HP	
M2	56116159	1	MOTOR-36VDC-1900RPM-1HP	
M3	56116761	1	GEAR MOTOR-SWEEP-RIGHT	[1]
M4	56116105	1	MOTOR-VACUUM 36VDC	
M5	56116105	1	MOTOR-VACUUM 36VDC	[1]
M6	56116781	1	ACTUATOR-SQUEEGEE	
M7		1	Deck Actuator	
M8	56110742	1	Chemie Pumpe 2	
M9	56110742	1	Chemie Pumpe 2	
M10	56116767	1	PUMP-36VDC	[1]
M11	56116309	1	WHEEL-DRIVE 12IN	
S1	7-82-00050	1	Sitzschalter BR 1300 S	
S2	56104247	1	DISCONNECT-EMERGENCY	
S3	56104405	1		
S4	56104405	1		
S5	56104405	1		
S6	56116842	1	SWITCH-FLOAT MECHANICAL 120V	
S7	56116372	1	SENSOR-SOLUTION LEVEL	
S8	56116784	1	SENSOR-PROXIMITY	[1]

Part Notes:

[1] - Optional

**No
Diagram
Available**

**Parts List
Only**

Pos.	Artikel-Nr.	Menge	Variante	Notes
			Accessories	
	56116152	1	OVERHEAD GUARD KIT	[1]
	56116280	1	SEITENBESEN KIT	[1]
	56116351	1	BACK-UP ALARM KIT	[1]
	56116352	1	BEACON KIT	[1]
	56116355	1	VACUUM WAND KIT	[1]
	56116627	1	ONBOARD CHARGER KIT-EURO	[1]
	56116358	1	SOLUTION AUTO FILL KIT	[1]
	56116359	1	BUMPER KIT-HEAVY DUTY-FRONT	[1]
	56116361	1	SQUEEGEE GUARD KIT	[1]
	56116364	1	FOOT GUARD KIT	[1]
	56116366	1	DELUXE SEAT KIT	[1]
	56116370	1	DUAL VACUUM MOTOR KIT	[1]
	56116371	1	Frontlich Kit	[1]
	56116512	1	WASH HOSE KIT	[1]
	56116513	1	DUST GUARD KIT	[1]
	56116517	1	ECOFLEX KIT	[1]
	56116576	1	WEIGHT KIT-STEERING COLUMN	[1]
	56116600	1	SEAT KIT-STANDARD	[1]
	56116614	1	BATTERY WATERING KIT-36V	[1]
	56116615	1	BATTERY WATERING ASSEMBLY	[1]
	56116619	1	MOP HOLDER KIT	[1]
	56116686	1	OVERHEAD GUARD KIT-SHORT	[1]
	56116731	1	TRACKCLEAN SC6000 KIT	[1]
	56116856	1	USB KIT	[1]
	56383189	1	ARM REST KIT-R/H ONLY	[1]
	56383455	1	Sicherheitsgurt-Set	[1]
	56601410	1	Ablaßschlauch	[1]
	56118079	1	ES KIT	
			Options	
	56116600	1	SEAT KIT-STANDARD	
	56116518	1	SMART KEY-USER	
	56116519	1	SMART KEY-SUPERVISOR	
	56044694	1		
			Kits	
			860D Squeegee Blade Kits for 56116378	
	56116704	1	SQUEEGEE BLADE KIT-RED GUM J	[2]
	56116707	1	SQUEEGEE BLADE KIT-PU J	[3]
			910C & 1050D Squeegee Blade Kits for 56116379	
	56116705	1	SQUEEGEE BLADE KIT-RED GUM K	[2]
	56116708	1	SQUEEGEE BLADE KIT-PU K	[3]
			Scrub System Side Blade Kits for Cylindrical and Disc Decks	
	56116706	1	SIDE BLADE KIT-RED GUM	
	56116709	1	SIDE BLADE KIT-PU	[1]
			860D Disc Scrub Brushes	
	56505780	2	Padhalter 430 mm	[1]
	56505781	2	Bürste Magna Grit, hart 400 mm	[1]
	56505782	2	Bürste Dyna Grit, mittel 400 mm	[1]
	56505783	2	Bürste Aglite, weich 400 mm	[1]
	56505784	2	Bürste PPN hart 430 mm	[1]
	56505785	2	Bürste PPN weich 430 mm	[1]
	56505786	2	Bürste Union Mix 430 mm	[1]
	56505787	2	Bürste Mid Grit 240, 430 mm	[1]
	56505788	2	Bürste Mid Grit 180	[1]
			1050D Disc Scrub Brushes	
	56505790	2	Padhalter 20"	[1]
	56505791	2	Bürste Sica hart, Magna Grit 3, 500 mm	[1]
	56505792	2	Bürste Sica mittel, Dyna Grit 3, 500 mm	[1]
	56505793	2	Bürste Sica weich, Aglite Grit 3, 500 mm	[1]

Pos.	Artikel-Nr.	Menge	Variante	Notes
	56505794	2	Bürste Prolene, hart, 500 mm	[1]
	56505795	2	Bürste Prolite	[1]
	56505796	2	Bürste Unionmix	[1]
	56505797	2	Bürste Disc-20 Mid Grit	[1]
	56505798	2	Bürste Mid Grit 180, 500 mm	[1]
			910C Cylindrical Scrub Brushes	
	56116043	2	HARTBÜRSTE NYL-NATURAL-7IN	[1]
	56116044	2	BÜRSTE-CYL-180 GRIT-BLUE-7IN	[1]
	56116045	2	BÜRSTE-CYL-80 GRIT-BLACK-7IN	[1]
	56116046	2	BÜRSTE-CYL-SOFT NYL-YELLOW-7IN	[1]
	56116047	2	BÜRSTE-CYL-POLYPRO-RED-7IN	[1]
			Side Sweep Brush	
	56116858	1	BROOM 180X400MM POLYPROPYLENE	[1]

Part Notes:

- [1] - Optional, Not Included
- [2] - All squeegee blade kits include both front and rear squeegee blades
- [3] - All squeegee blade kits include both front and rear squeegee blades. Optional, Not Included